



US00D891020S

(12) **United States Design Patent** (10) **Patent No.:** **US D891,020 S**  
**Smith** (45) **Date of Patent:** **\*\* Jul. 21, 2020**

(54) **TIRE PAD**  
(71) Applicant: **QUALITY CHAIN CANADA LTD.,**  
Surrey (CA)  
(72) Inventor: **Wesley Smith, Surrey (CA)**  
(\*\*) Term: **15 Years**  
(21) Appl. No.: **35/506,703**  
(22) Filed: **Jan. 24, 2019**

D346,257 S \* 4/1994 McMillan ..... D34/32  
D444,286 S \* 6/2001 Ahne ..... D34/32  
D550,922 S \* 9/2007 Bain ..... D34/32  
D567,471 S \* 4/2008 Haimoff ..... D34/33  
D608,520 S \* 1/2010 Fick ..... D34/32  
D644,402 S \* 8/2011 Shoup ..... D34/32  
D682,502 S \* 5/2013 Guido, III ..... D34/32  
D705,514 S \* 5/2014 Tai ..... D34/32  
8,978,519 B2 \* 3/2015 Hard ..... B60C 27/003  
152/213 R  
D735,435 S \* 7/2015 Guido, III ..... D34/32  
D838,078 S \* 1/2019 Romanak ..... D34/32  
D861,279 S \* 9/2019 Marmon ..... D34/32

(80) **Hague Agreement Data**  
Int. Filing Date: **Jan. 24, 2019**  
Int. Reg. No.: **DM/200682**  
Int. Reg. Date: **Jan. 24, 2019**  
Int. Reg. Pub. Date: **May 3, 2019**

**FOREIGN PATENT DOCUMENTS**

CA 2316899 C 7/1999  
CA 2798977 C 11/2011

\* cited by examiner

*Primary Examiner* — Darlington Ly

(30) **Foreign Application Priority Data**  
Sep. 12, 2018 (CA) ..... 183478  
(51) **LOC (12) Cl.** ..... **12-05**  
(52) **U.S. Cl.**  
USPC ..... **D34/32**  
(58) **Field of Classification Search**  
USPC ..... D34/32, 33  
CPC .... B60P 1/43; B60P 1/435; B66F 7/26; B66F  
7/28; B66F 7/243  
See application file for complete search history.

(57) **CLAIM**

The ornamental design for a tire pad, as shown and described.

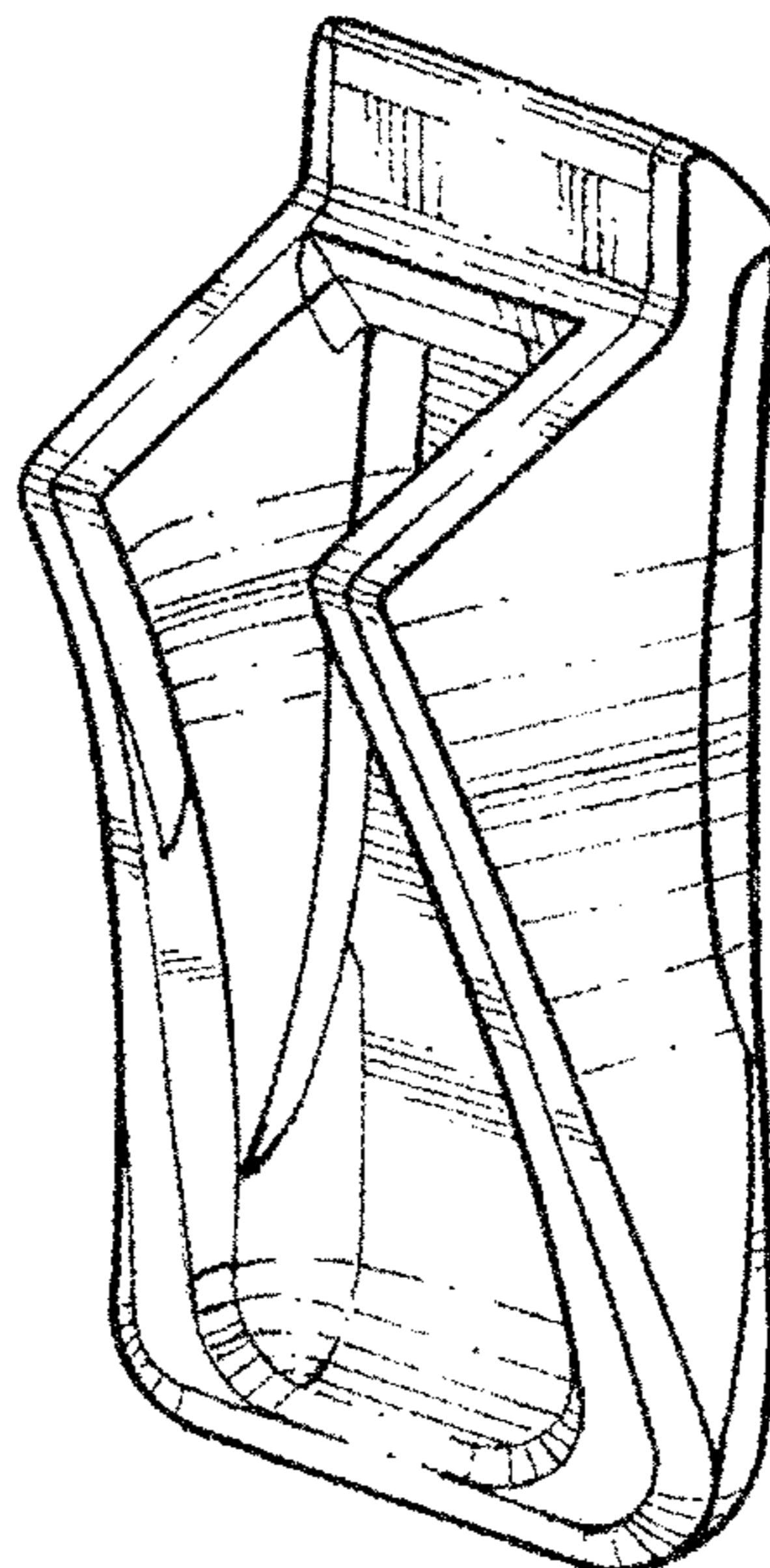
**DESCRIPTION**

1. Tire pad  
Reproduction **1.1** is a front perspective view thereof; reproduction **1.2** is a rear perspective view thereof; reproduction **1.3** is a top view thereof; reproduction **1.4** is a front view thereof; reproduction **1.5** is a rear view thereof; reproduction **1.6** is a bottom view thereof; reproduction **1.7** is a left side view thereof; and reproduction **1.8** is a right side view thereof.

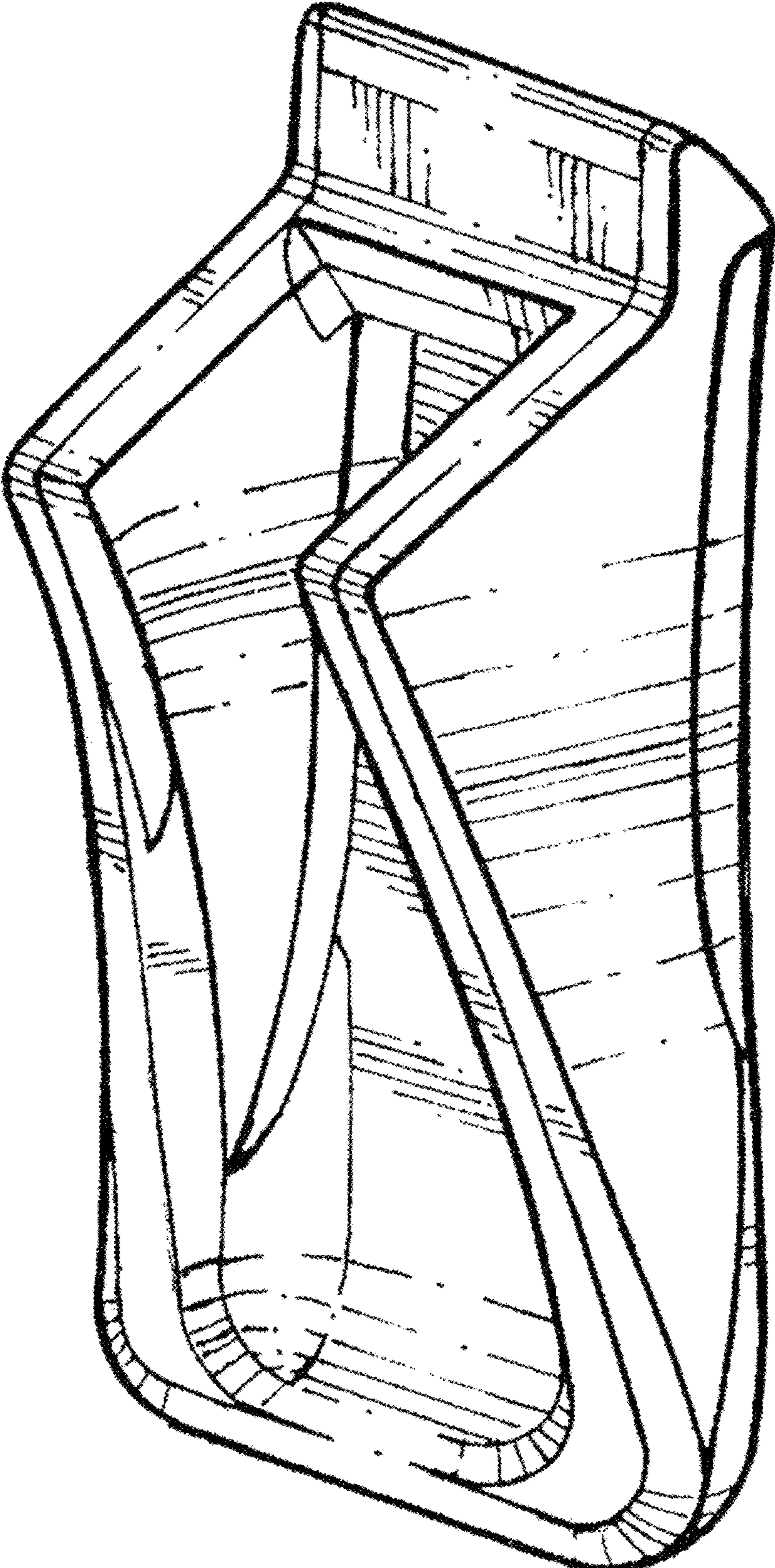
The design consists of the features of shape, ornament, pattern and configuration of the entire tire pad shown in the drawings.

(56) **References Cited**  
**U.S. PATENT DOCUMENTS**  
4,050,403 A \* 9/1977 Miller ..... B66F 7/243  
254/88  
4,108,421 A \* 8/1978 Extine ..... B60T 3/00  
254/88  
5,221,380 A \* 6/1993 Wilson ..... B60C 27/00  
116/173

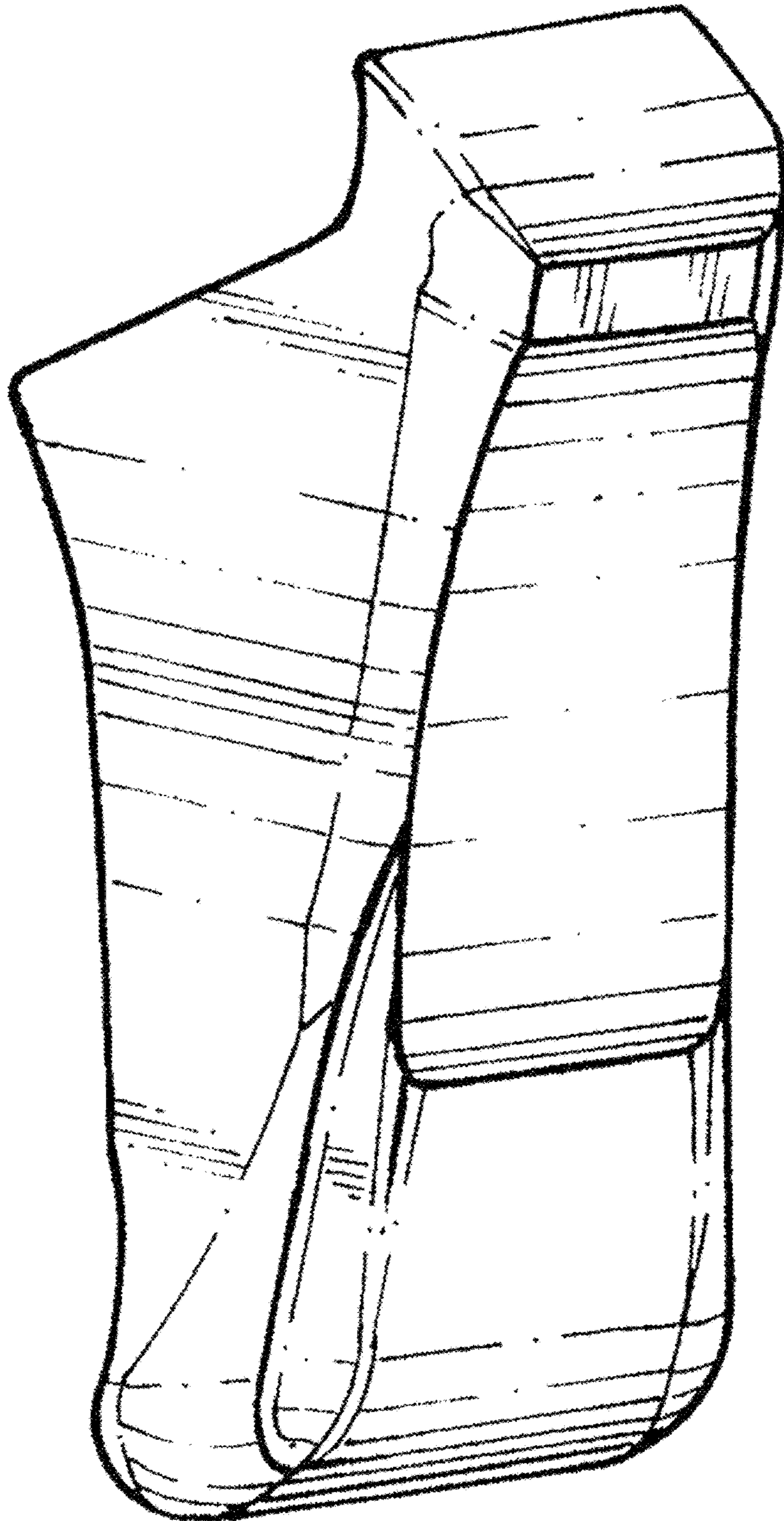
**1 Claim, 8 Drawing Sheets**



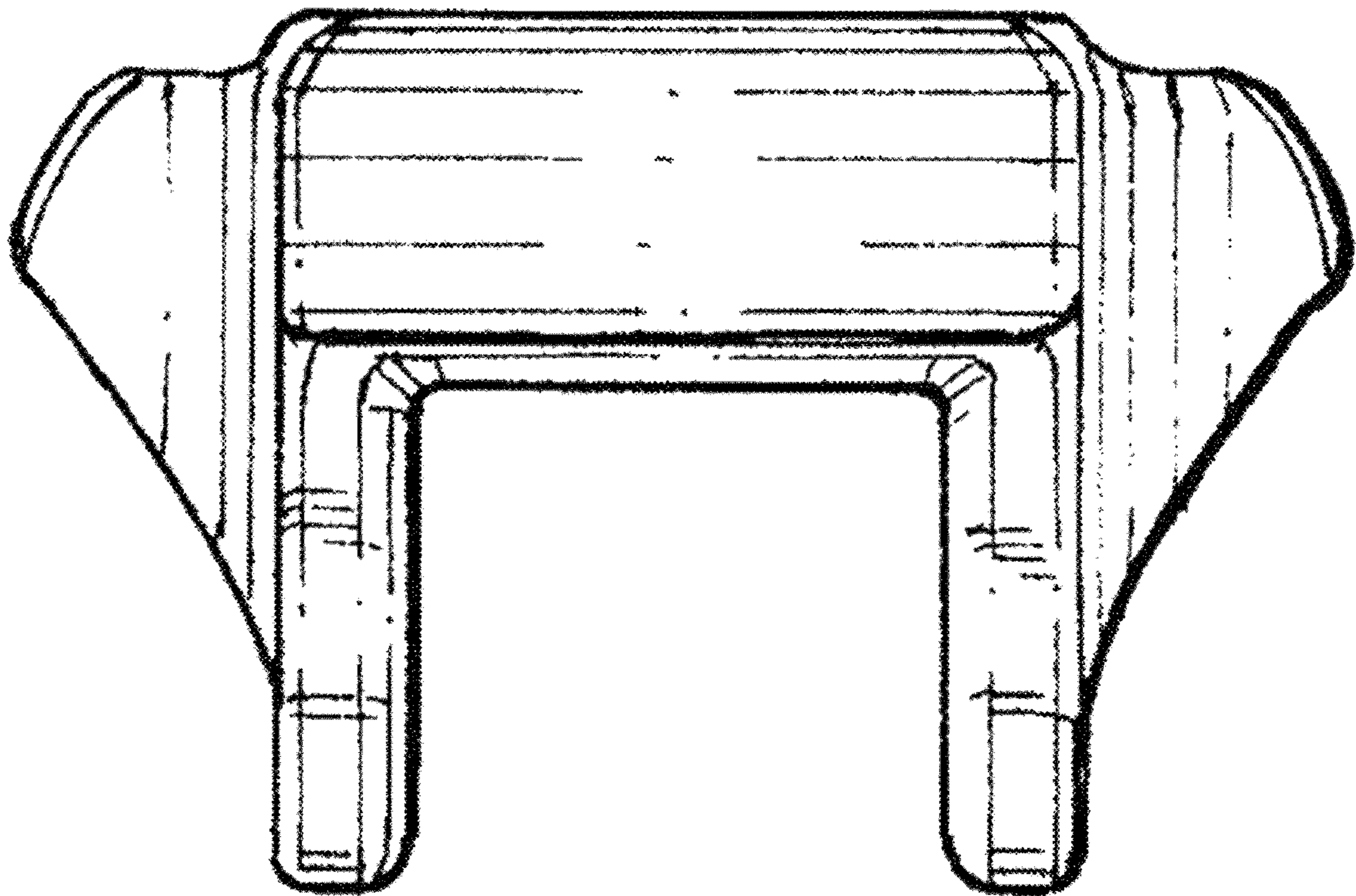
1.1



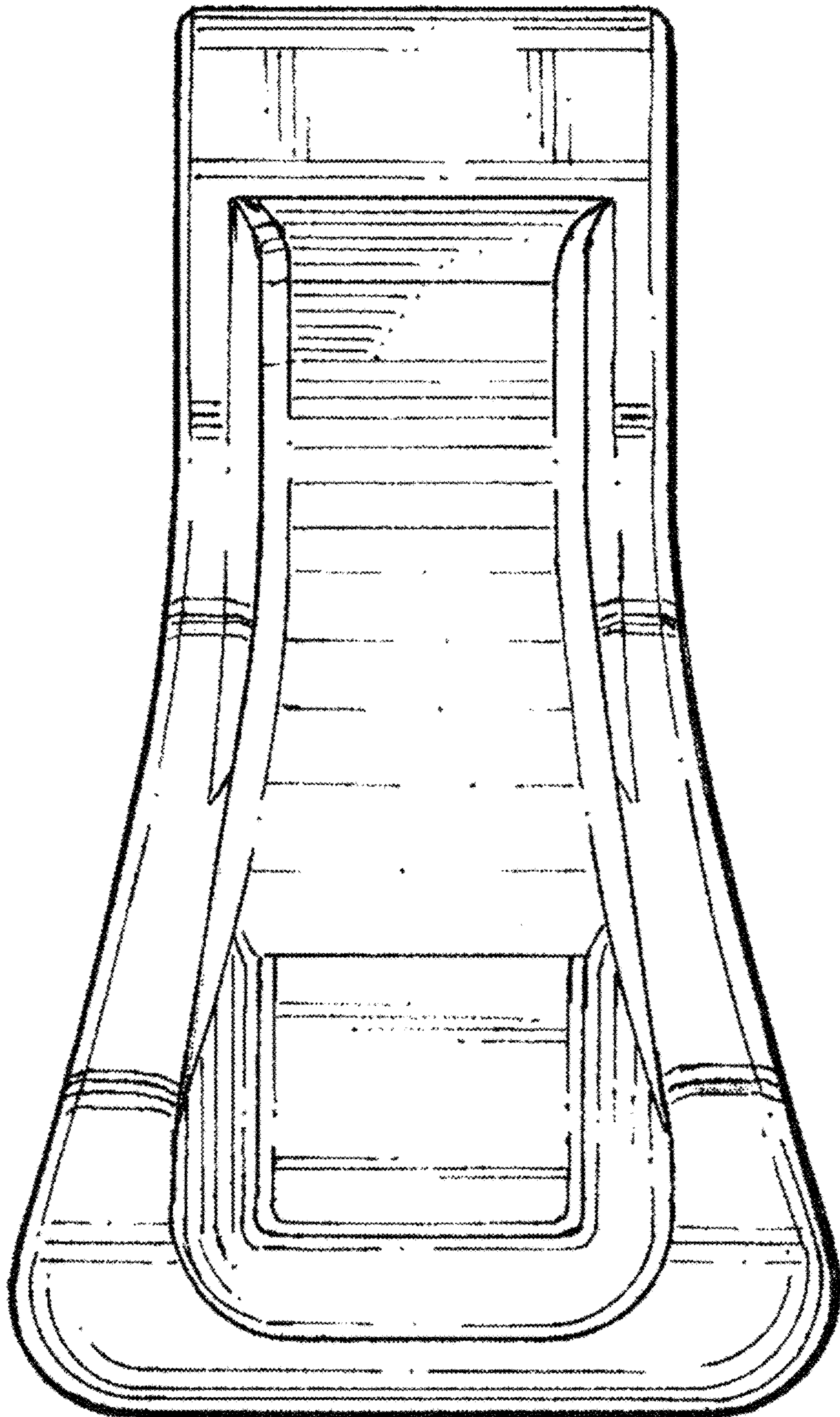
1.2



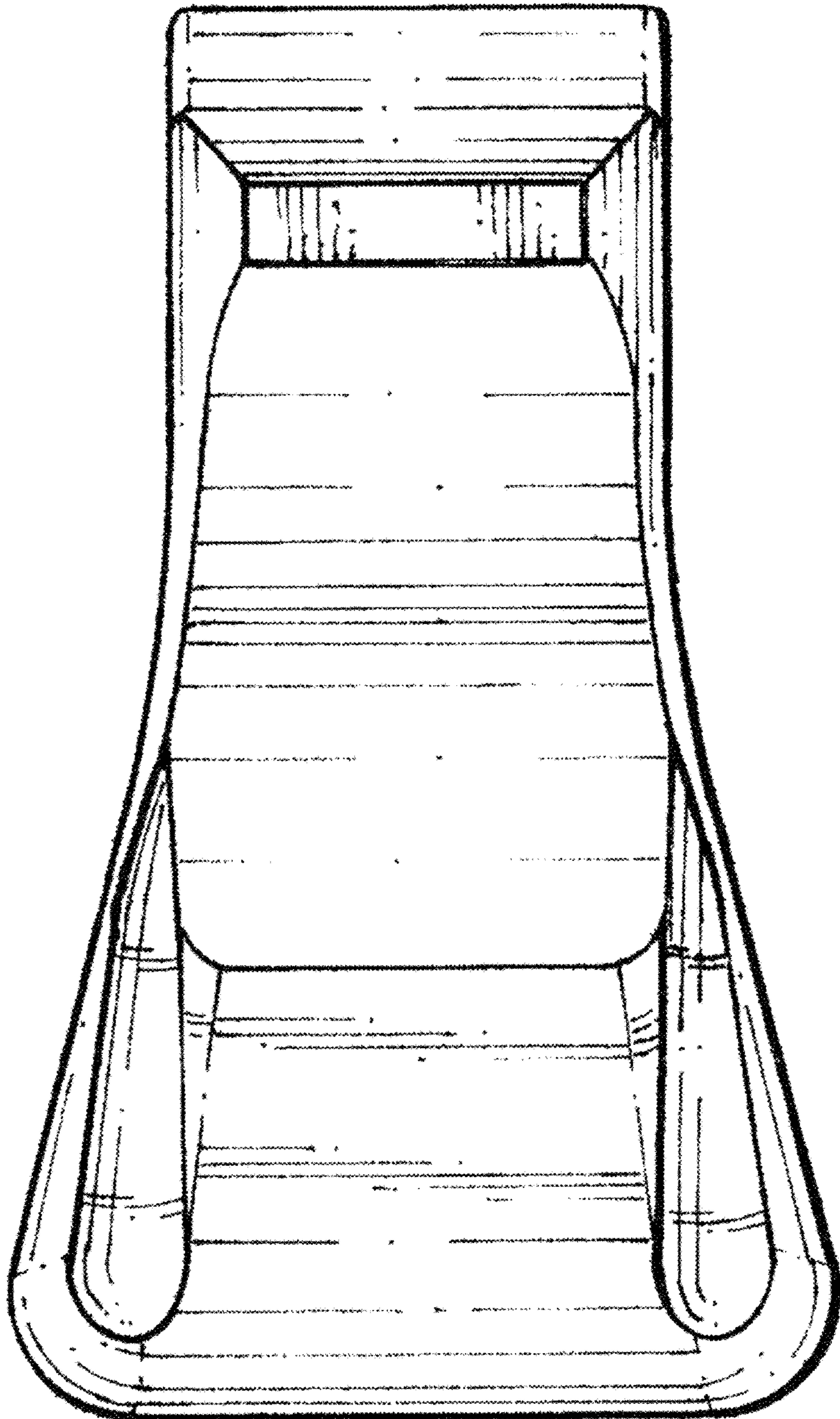
1.3



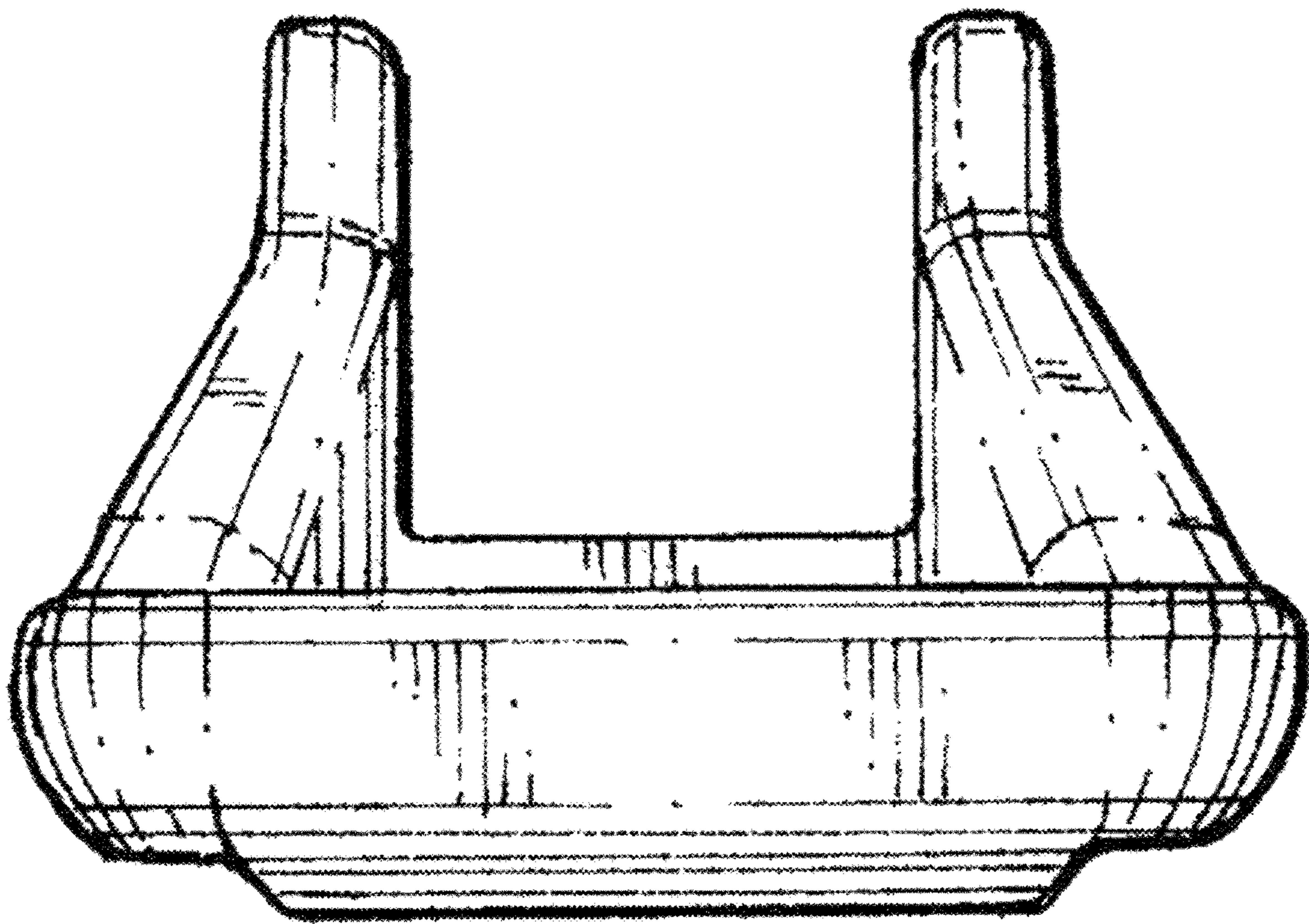
1.4



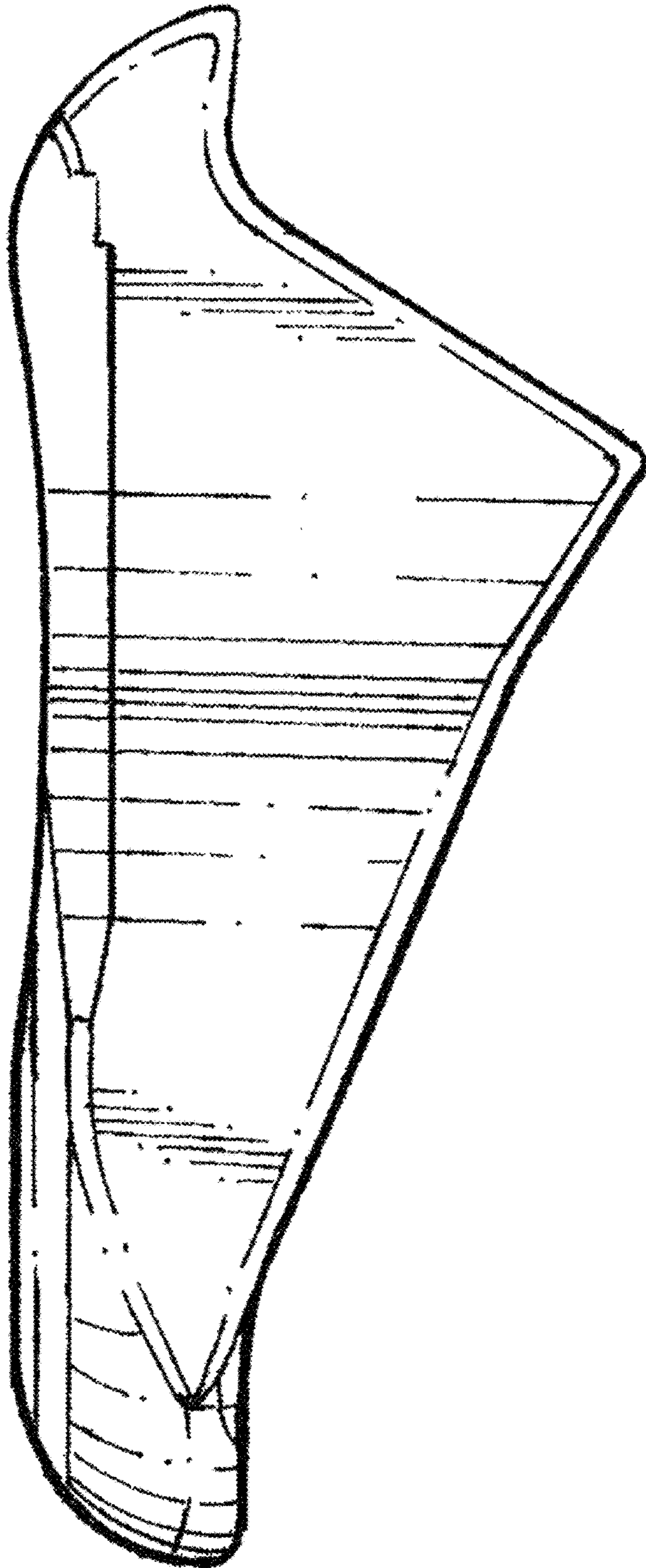
1.5



1.6



1.7





1.8

