



US00D891019S

(12) **United States Design Patent**
Courteille et al.

(10) **Patent No.:** **US D891,019 S**

(45) **Date of Patent:** **** Jul. 21, 2020**

- (54) **DUSTPAN**
- (71) Applicant: **Spontex SAS**, d'Orves Colombes (FR)
- (72) Inventors: **Pierre-Thomas Courteille**,
Levallois-Perret (FR); **Emily R. Gasta**,
Portage, MI (US)
- (73) Assignee: **Rubbermaid Commercial Products**
LLC, Huntersville, NC (US)

(**) Term: **15 Years**

(21) Appl. No.: **29/678,338**

(22) Filed: **Jan. 28, 2019**

(51) **LOC (12) Cl.** **07-05**

(52) **U.S. Cl.**
USPC **D32/74**

(58) **Field of Classification Search**
USPC D32/74, 41; D30/162; D7/691, 688;
D4/116; 15/257.5, 257.3, 257.2, 257.1;
134/6
CPC A47L 13/52; A47L 15/51; A46B 15/00;
A46B 15/0097; A46B 15/0095; A46B
17/04; A46B 5/00; A46B 2200/302
See application file for complete search history.

(56) **References Cited**

U.S. PATENT DOCUMENTS

- D383,002 S * 9/1997 Rigney D32/74
- D421,168 S * 2/2000 France D34/1

- D441,933 S * 5/2001 Savage D32/74
- 7,131,552 B2 * 11/2006 Simonson B65F 1/06
220/495.06
- D596,408 S * 7/2009 Cohen D32/53
- D683,097 S * 5/2013 Vicari D32/74
- D740,508 S * 10/2015 Brandon D32/53
- D765,933 S * 9/2016 Bajuyo D32/53
- D788,395 S * 5/2017 Bajuyo D32/53
- D819,912 S * 6/2018 Carcioppolo D32/74
- D826,504 S * 8/2018 Garcia D32/74

* cited by examiner

Primary Examiner — Austin Murphy

(74) *Attorney, Agent, or Firm* — Eversheds Sutherland
(US) LLP

(57) **CLAIM**

We claim the ornamental design for a dustpan, as shown and described.

DESCRIPTION

FIG. 1 is an upper perspective view showing our new design for a dustpan.

FIG. 2 is a lower perspective view showing the design of FIG. 1.

FIG. 3 is an upper plan view showing the design of FIG. 1.

FIG. 4 is a lower plan view showing the design of FIG. 1.

FIG. 5 is a first side view showing the design of FIG. 1.

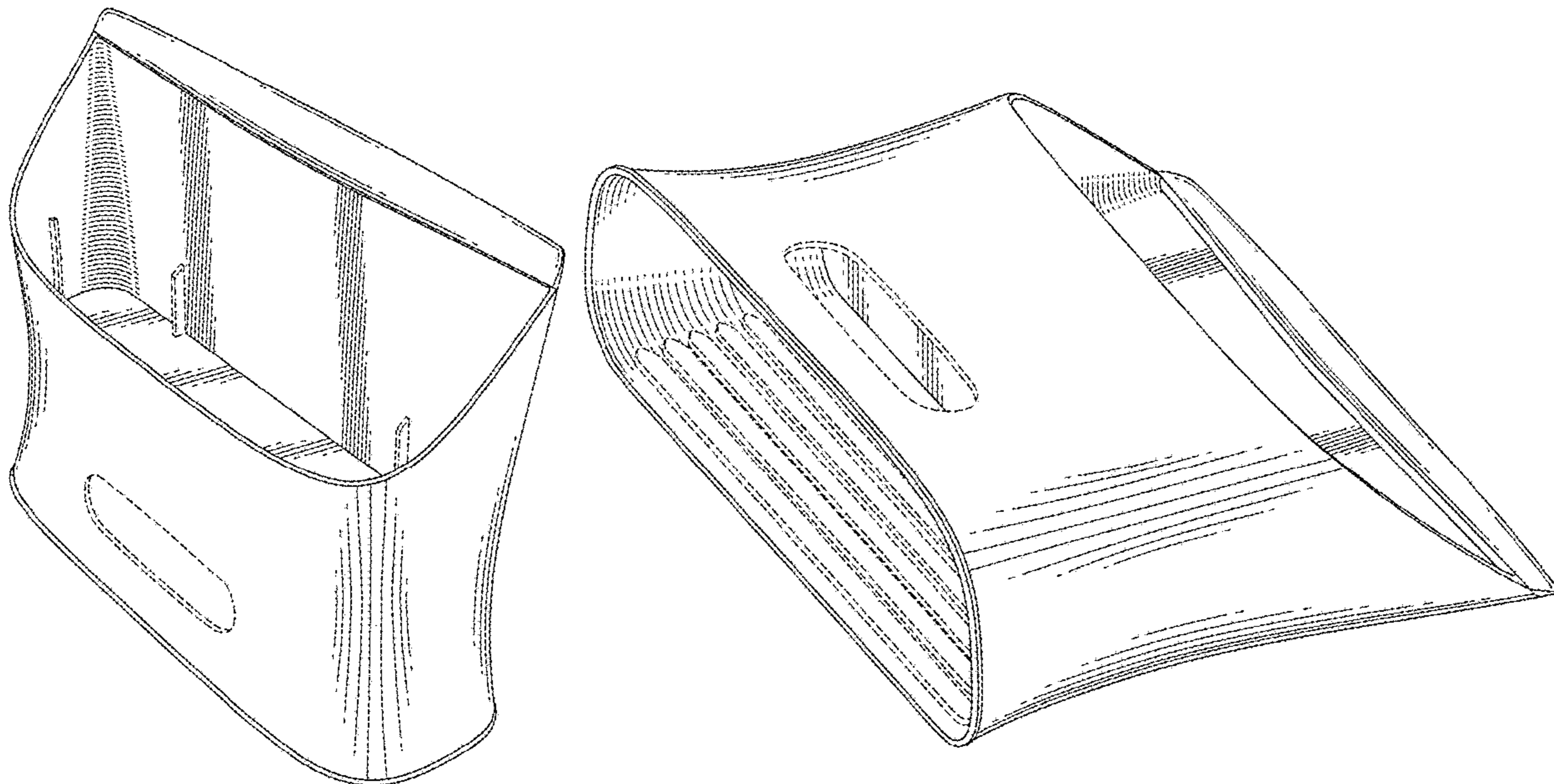
FIG. 6 is a second side view showing the design of FIG. 1.

FIG. 7 is a front view showing the design of FIG. 1; and,

FIG. 8 is a rear view showing the design of FIG. 1.

In FIGS. 1-8, the broken lines are for purposes of illustration only, and do not form a part of the claimed design.

1 Claim, 3 Drawing Sheets



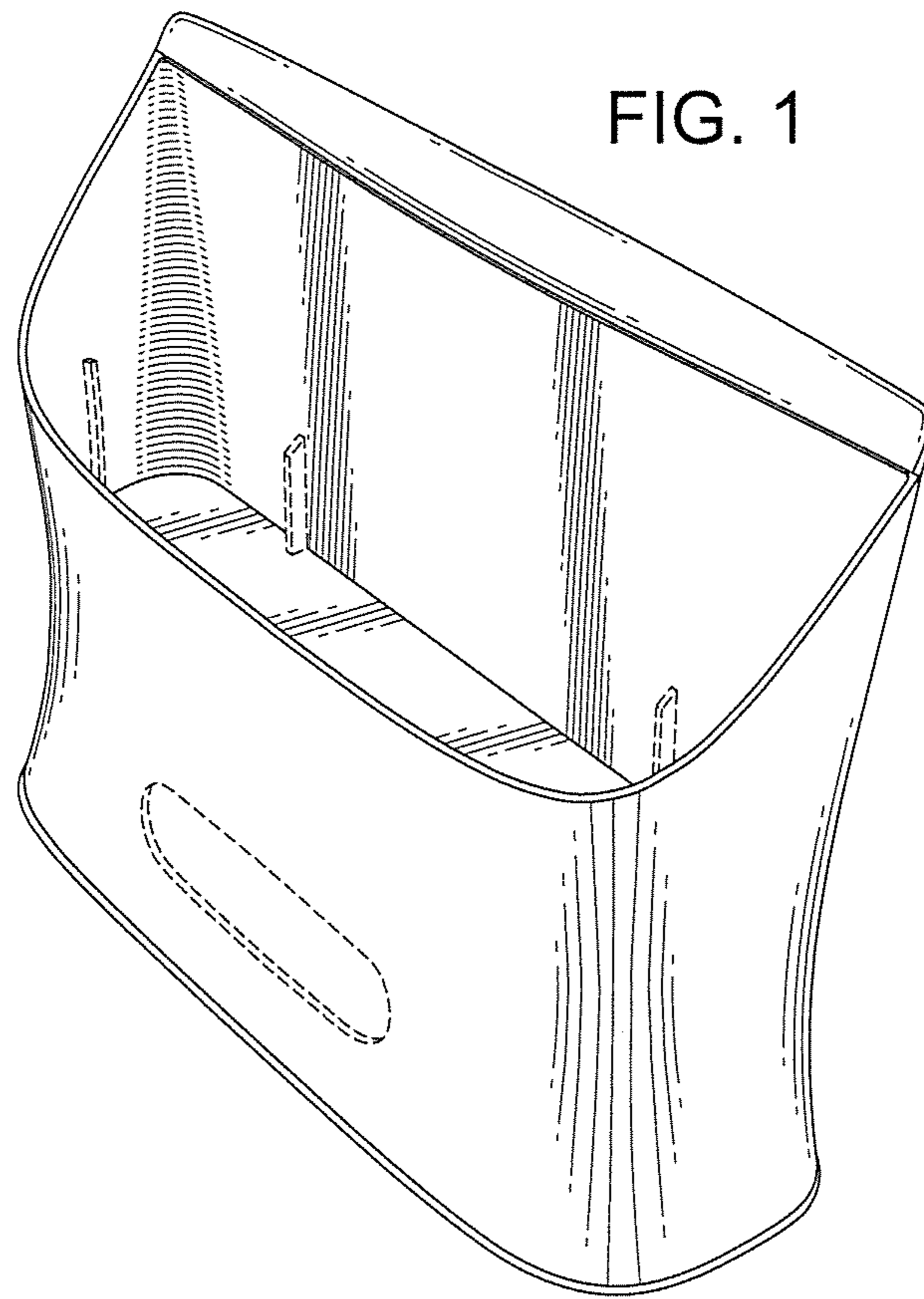


FIG. 2

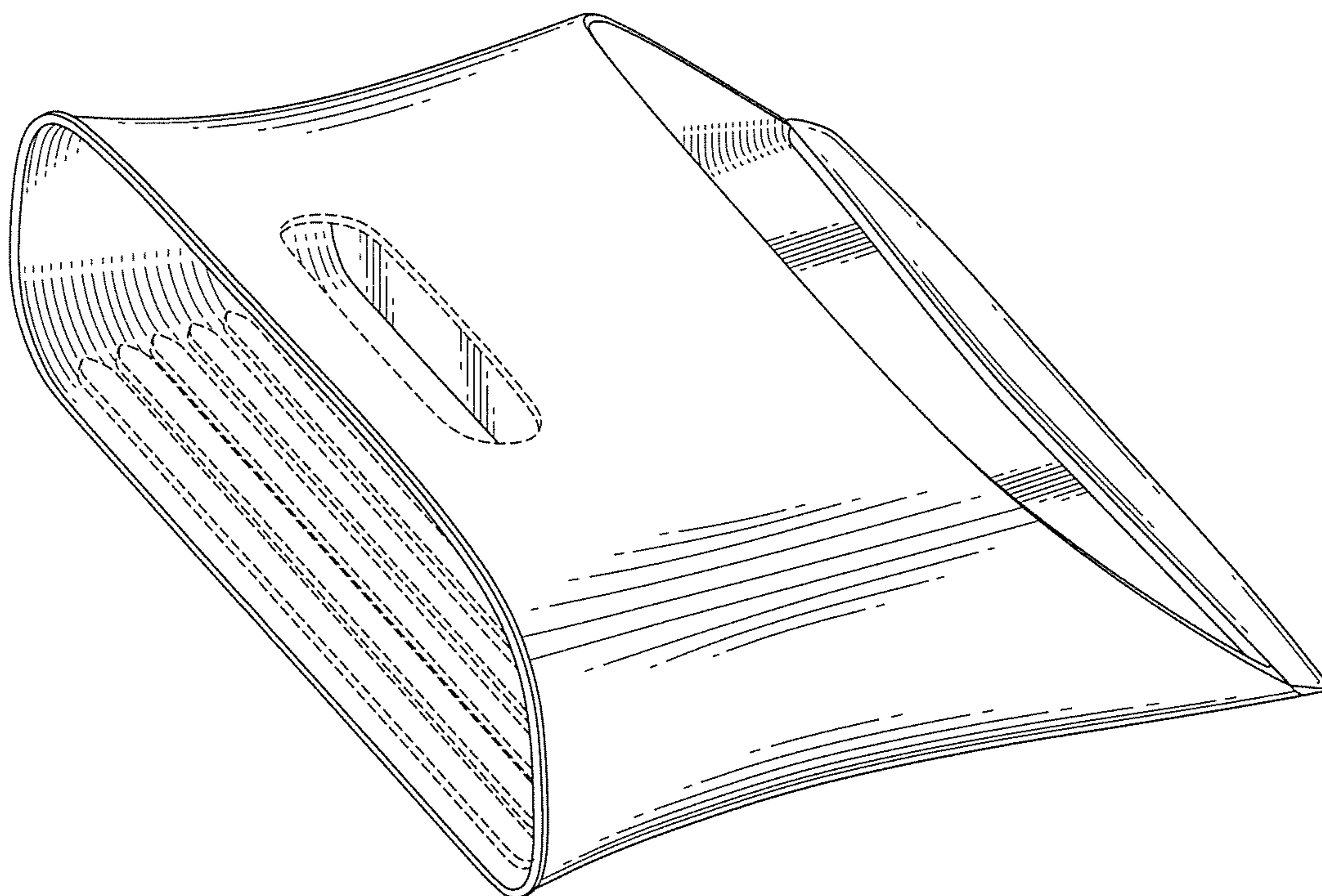


FIG. 3

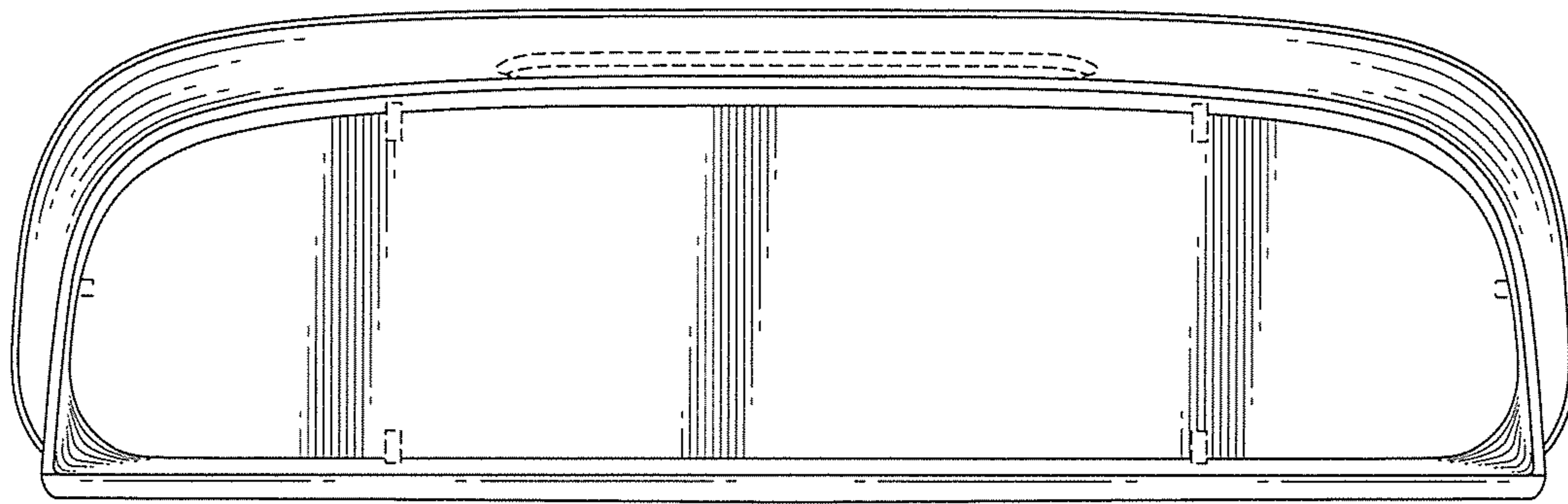


FIG. 4

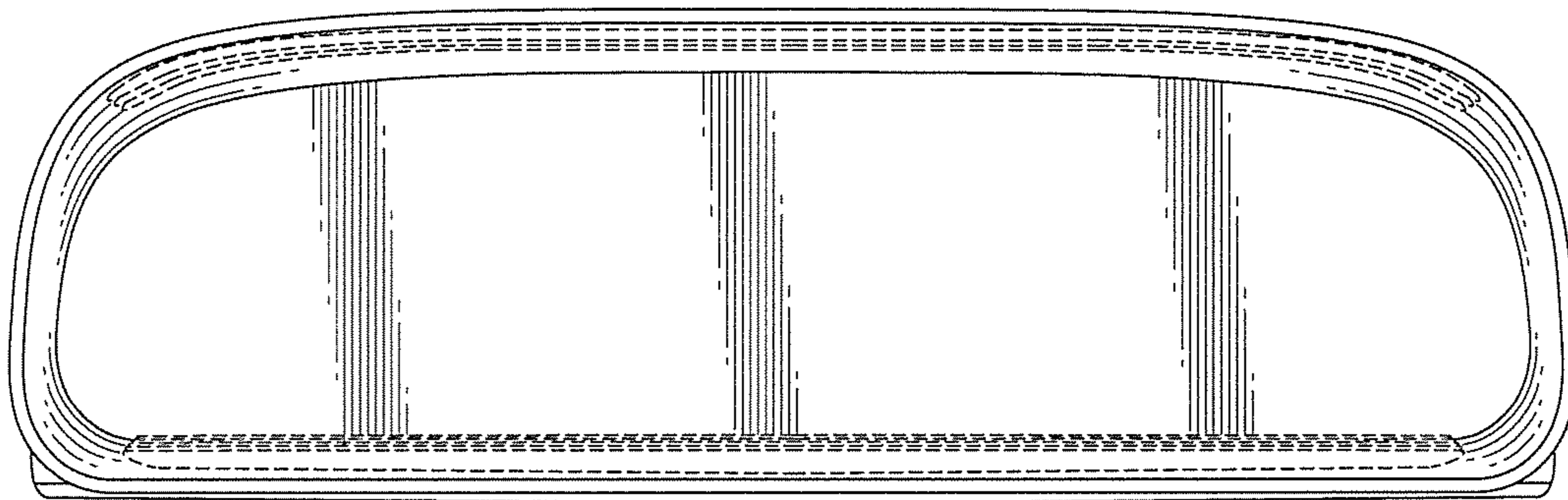


FIG. 5

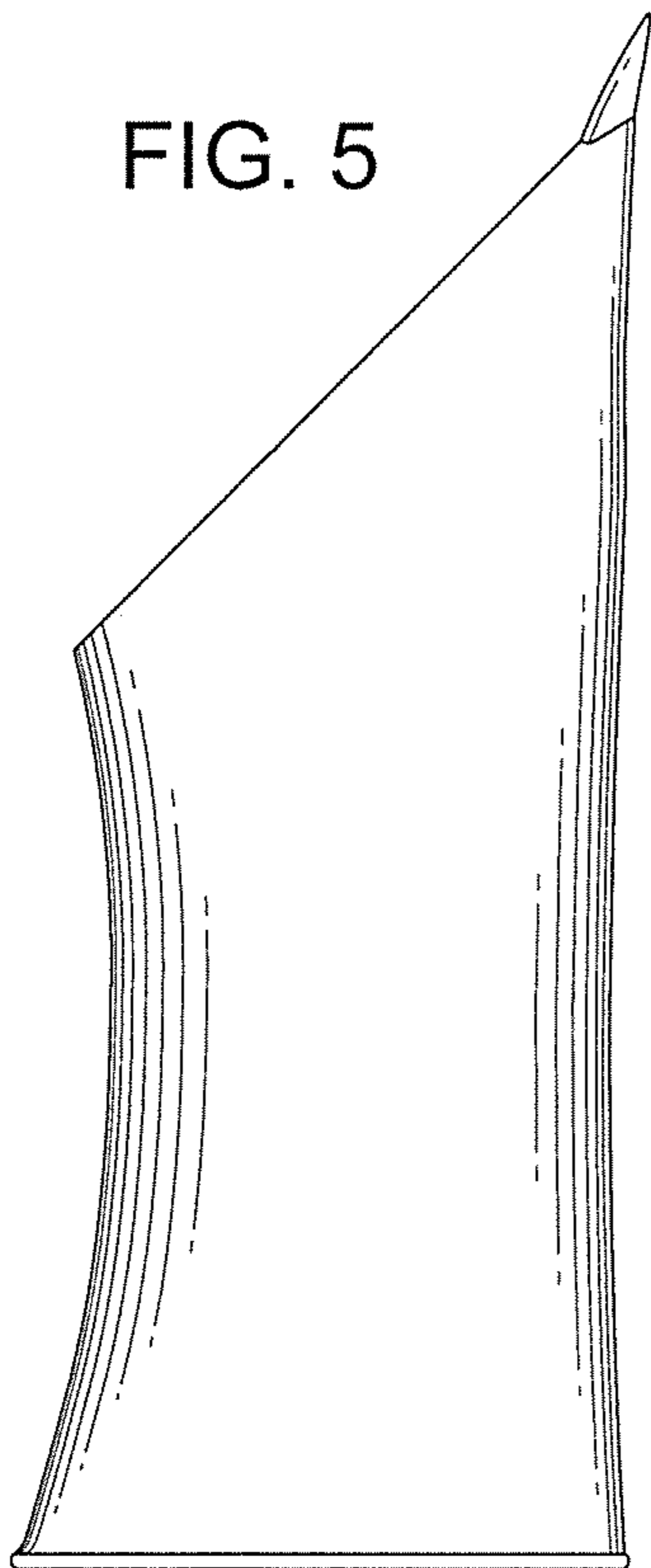


FIG. 6

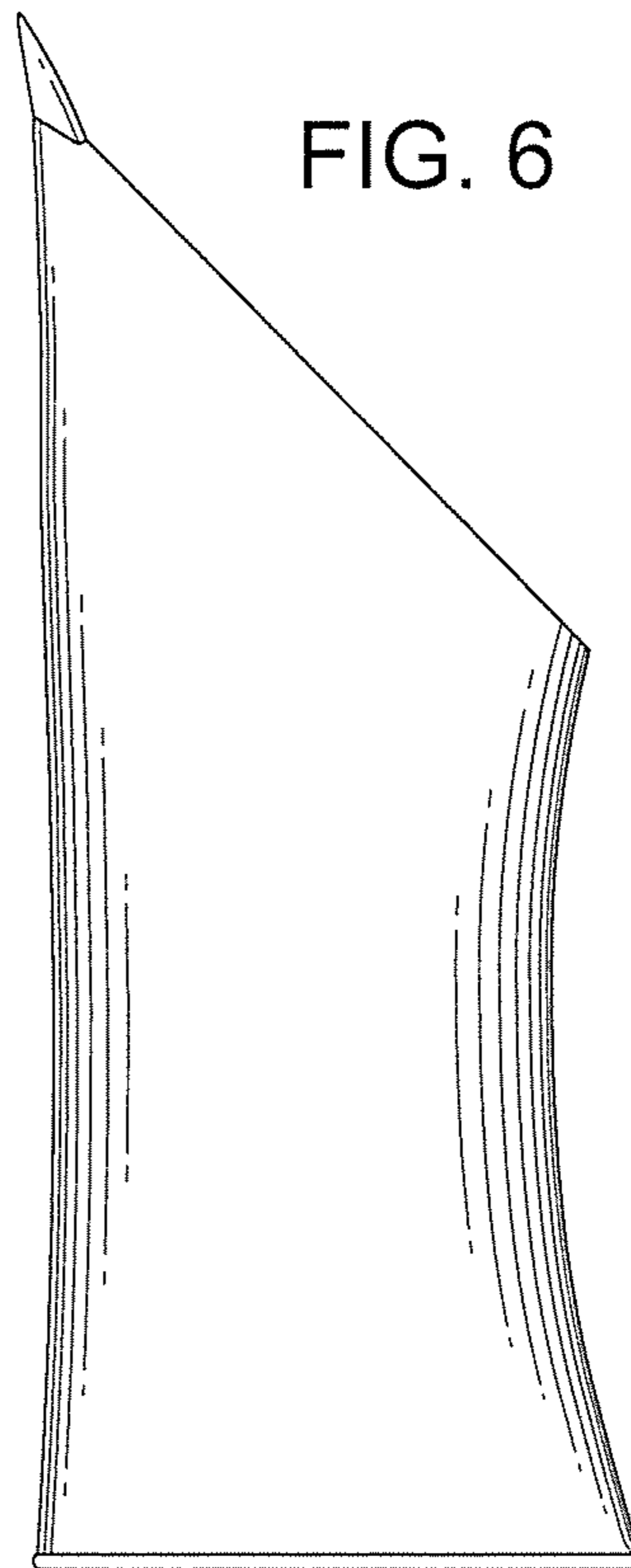


FIG. 7

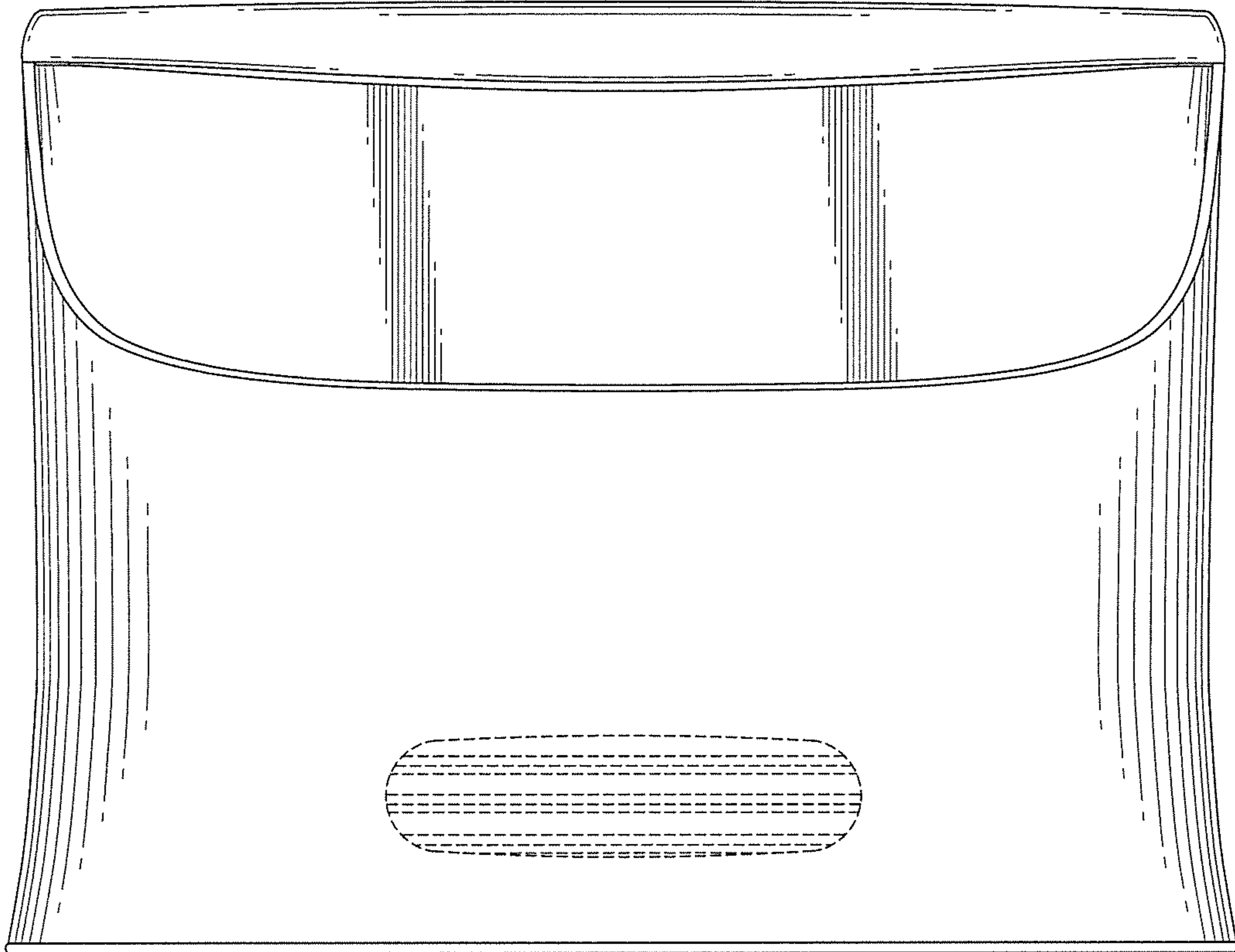


FIG. 8

