



US00D891018S

(12) **United States Design Patent**  
**Evans et al.**

(10) **Patent No.:** **US D891,018 S**

(45) **Date of Patent:** **\*\* Jul. 21, 2020**

(54) **DRYING RACK**  
(71) Applicant: **Joseph Joseph Ltd.**, London (GB)  
(72) Inventors: **David Evans**, Cambridge (GB); **Ashley May**, Cambridge (GB)  
(73) Assignee: **JOSEPH JOSEPH LTD.**, London (GB)  
(\*\*) Term: **15 Years**

D732,256 S \* 6/2015 Huang ..... D32/55  
D773,142 S \* 11/2016 Green ..... A47L 19/00  
D32/55  
D774,719 S \* 12/2016 Green ..... D32/55  
D776,386 S \* 1/2017 Green ..... D32/55  
D781,518 S \* 3/2017 Green ..... D32/55  
D787,769 S \* 5/2017 Evans ..... D32/55  
D801,612 S \* 10/2017 Green ..... D32/58  
D814,730 S \* 4/2018 Cooper ..... D32/55  
D822,930 S \* 7/2018 Green ..... D32/55  
D830,657 S \* 10/2018 Green ..... D32/55  
2008/0149644 A1 \* 6/2008 Piacenza ..... A47L 19/04  
220/572

(21) Appl. No.: **29/680,215**

\* cited by examiner

(22) Filed: **Feb. 14, 2019**

*Primary Examiner* — Austin Murphy

(30) **Foreign Application Priority Data**

(74) *Attorney, Agent, or Firm* — Millen, White, Zelano & Branigan, PC; Ryan Pool

Aug. 17, 2018 (EM) ..... 005612116

(51) **LOC (12) Cl.** ..... **07-05**

(57) **CLAIM**

(52) **U.S. Cl.**  
USPC ..... **D32/55; D32/58**

The ornamental design for a drying rack, as shown and described.

(58) **Field of Classification Search**  
USPC ..... D32/55, 276, 3; D6/510, 525; D30/133;  
211/41.5, 41.4, 41.3, 41.8; 361/679.4;  
312/311, 333, 334.4; D7/354, 629  
CPC .. A47L 15/505; A47L 15/503; A47L 15/0013;  
A47L 19/02; A47L 19/04; A47J 47/20  
See application file for complete search history.

**DESCRIPTION**

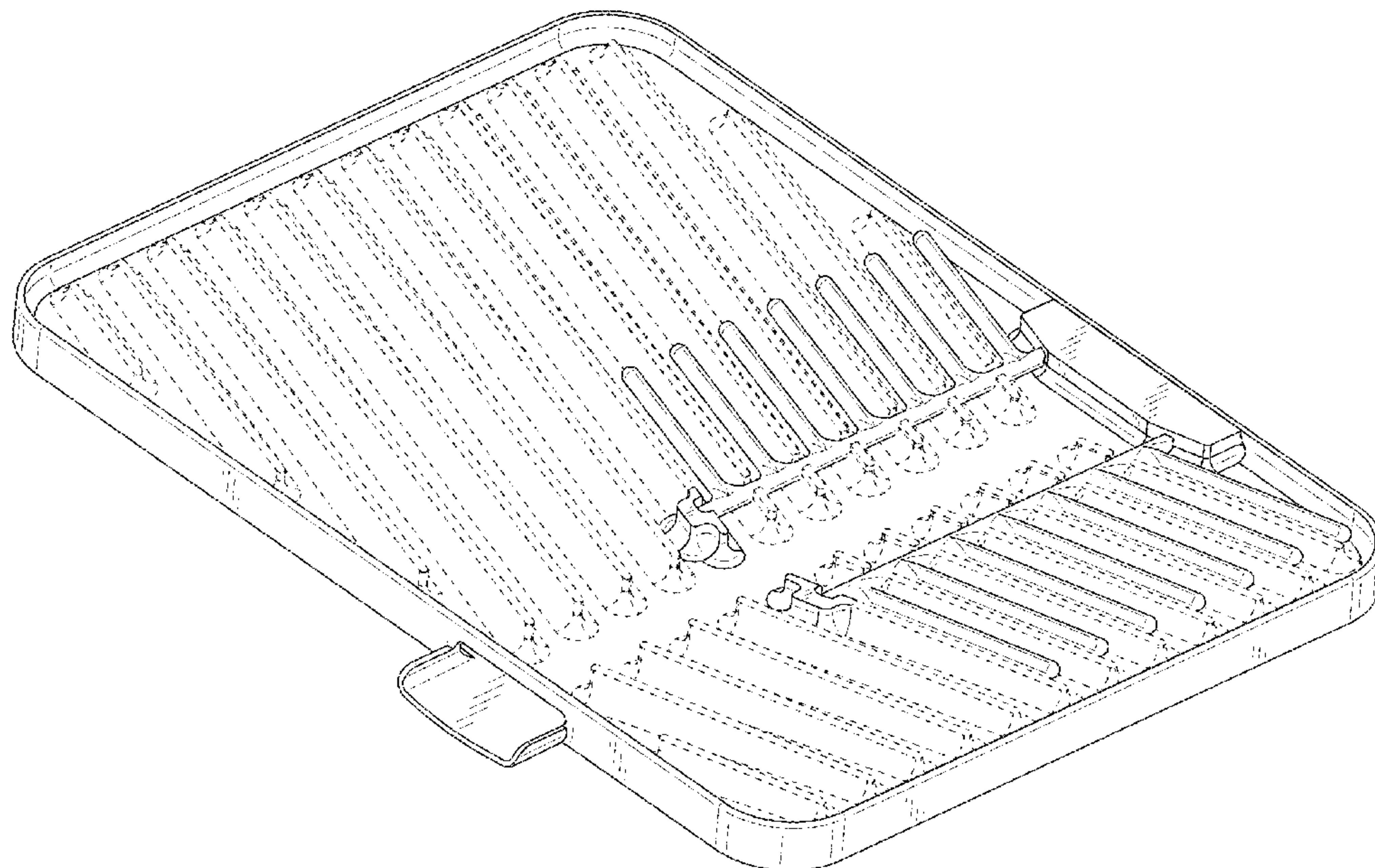
(56) **References Cited**

**U.S. PATENT DOCUMENTS**

D532,948 S \* 11/2006 Gillisie ..... D32/55  
D678,010 S \* 3/2013 Sudmalis ..... D7/698  
D692,199 S \* 10/2013 Huang ..... D32/55  
D695,482 S \* 12/2013 Huang ..... D32/55  
D707,004 S \* 6/2014 Levy ..... D32/57  
8,925,742 B1 \* 1/2015 Chitayat ..... A47L 19/04  
211/132.1

FIG. 1 is a perspective view of the drying rack showing my new design.  
FIG. 2 is a top view thereof.  
FIG. 3 is a bottom view thereof.  
FIG. 4 is a side view thereof.  
FIG. 5 is another side view thereof.  
FIG. 6 is another side view thereof.  
FIG. 7 is another side view thereof; and,  
FIG. 8 is a perspective view thereof showing the drying rack in an alternative configuration.  
The broken lines in the drawings illustrate portions of the drying rack which form no part of the claimed design.

**1 Claim, 8 Drawing Sheets**



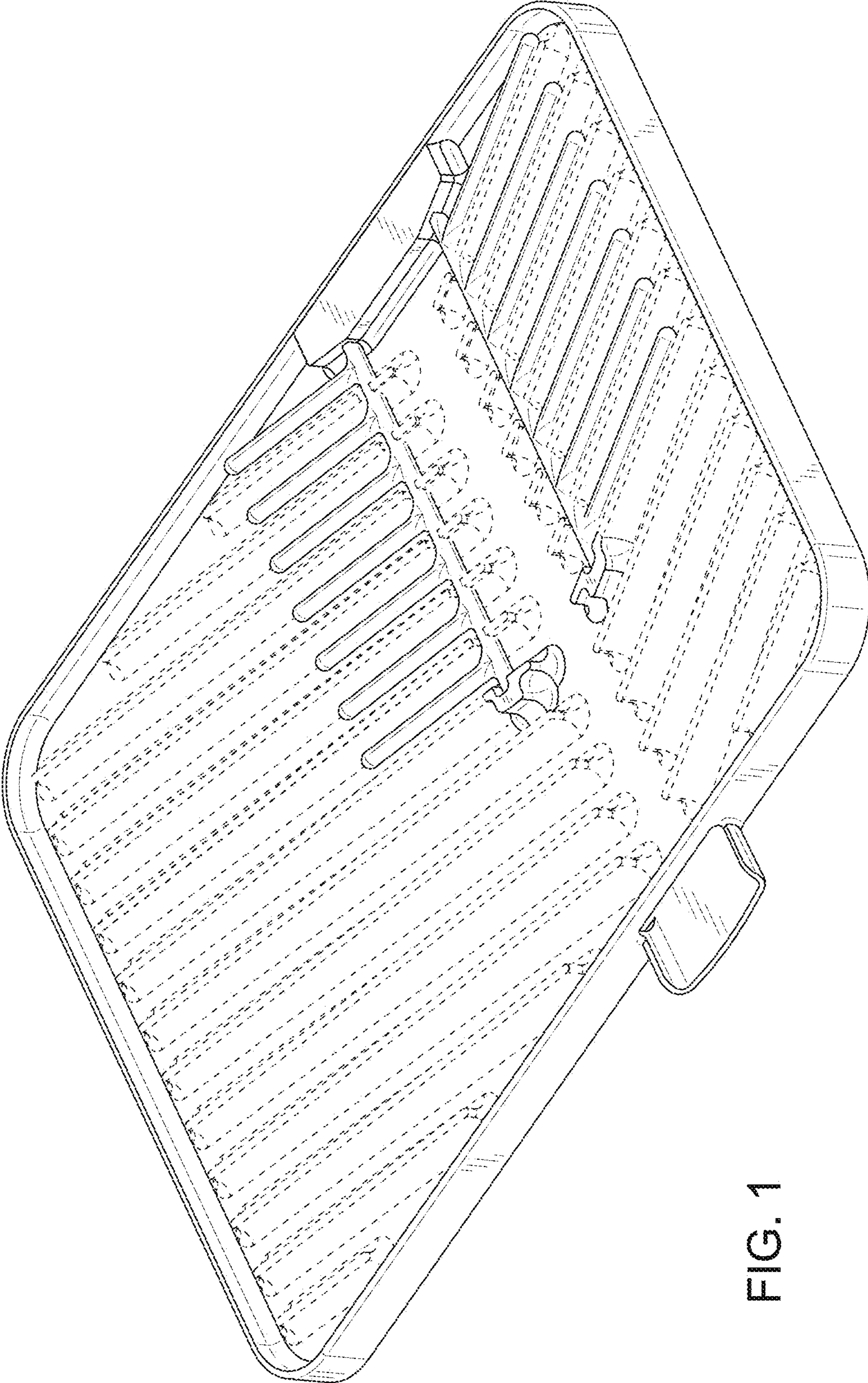


FIG. 1



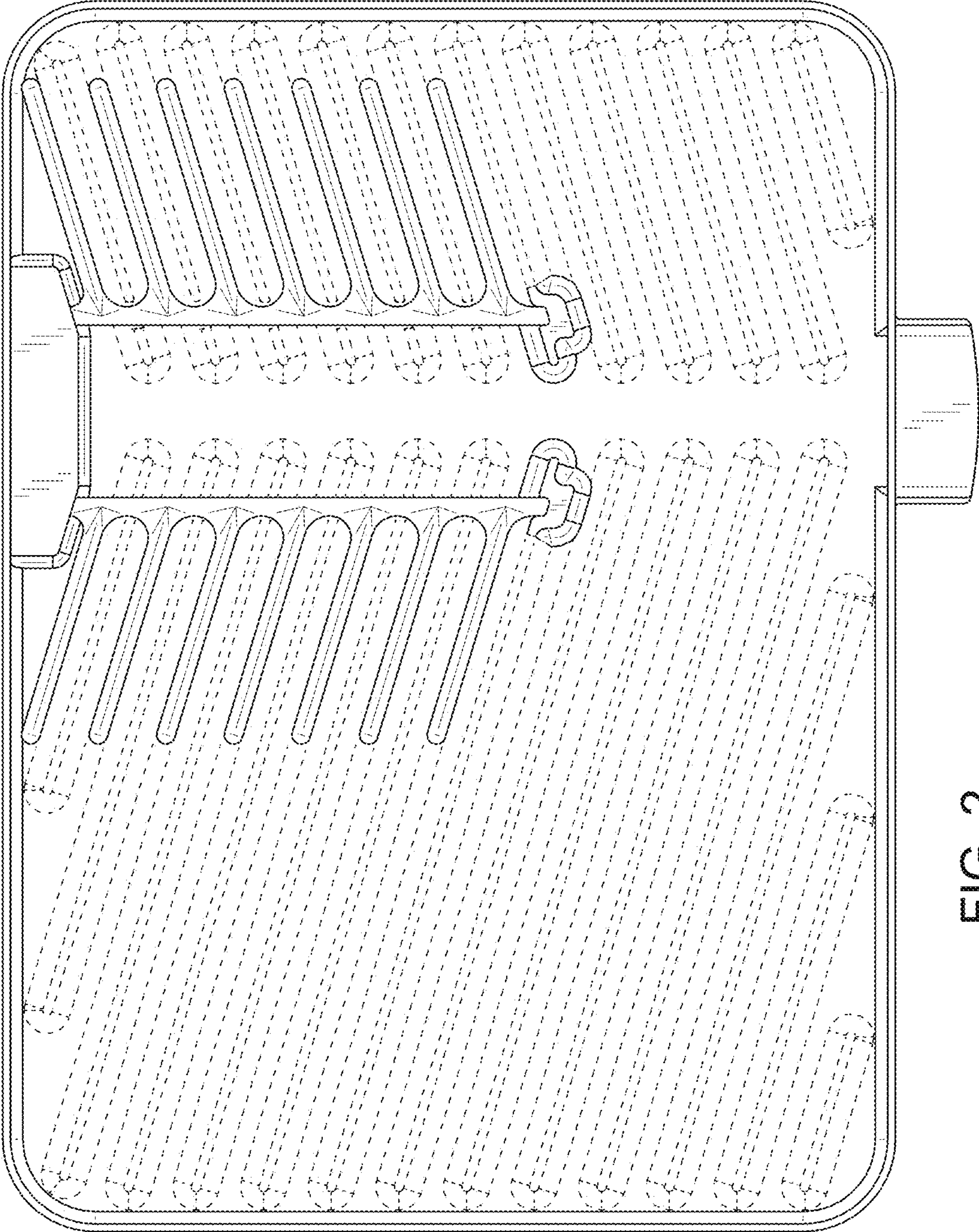


FIG. 2

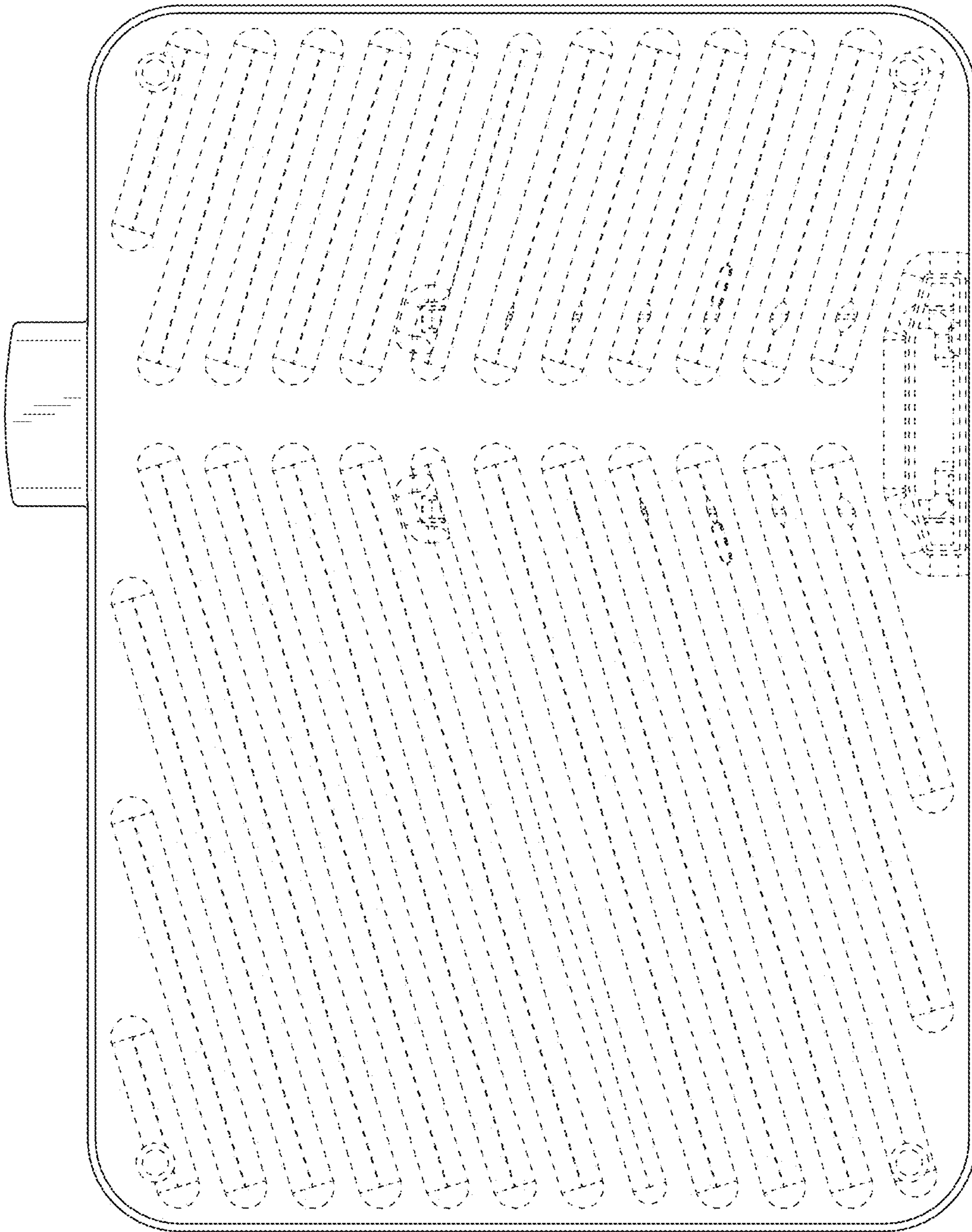


FIG. 3

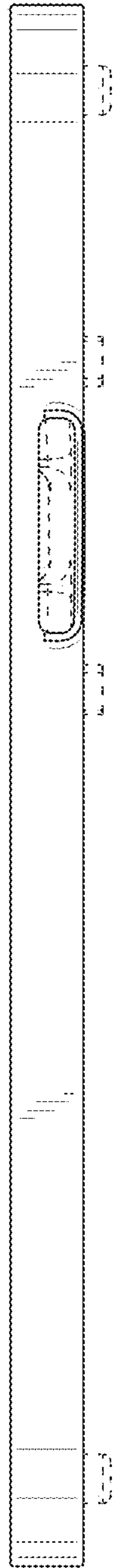


FIG. 4

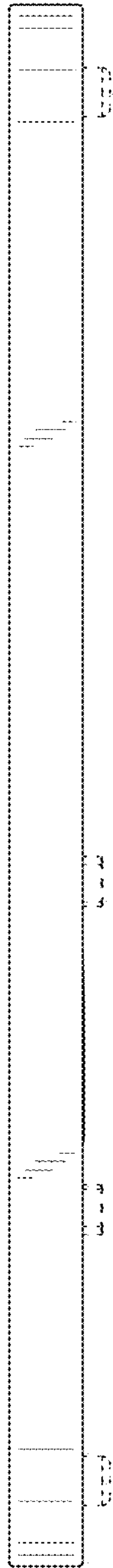


FIG. 5

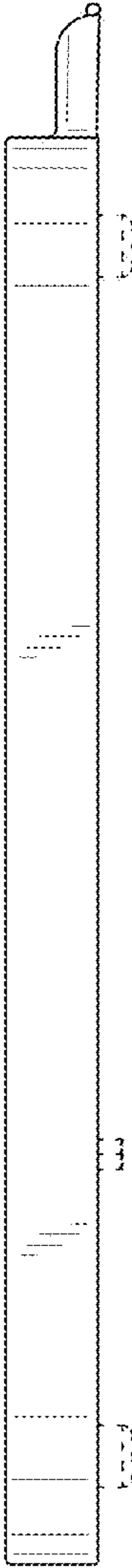


FIG. 6

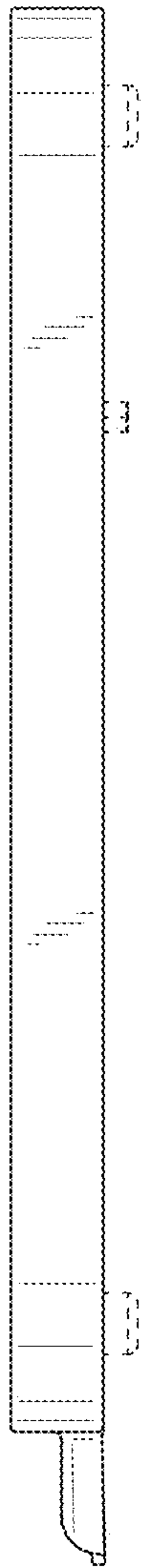


FIG. 7



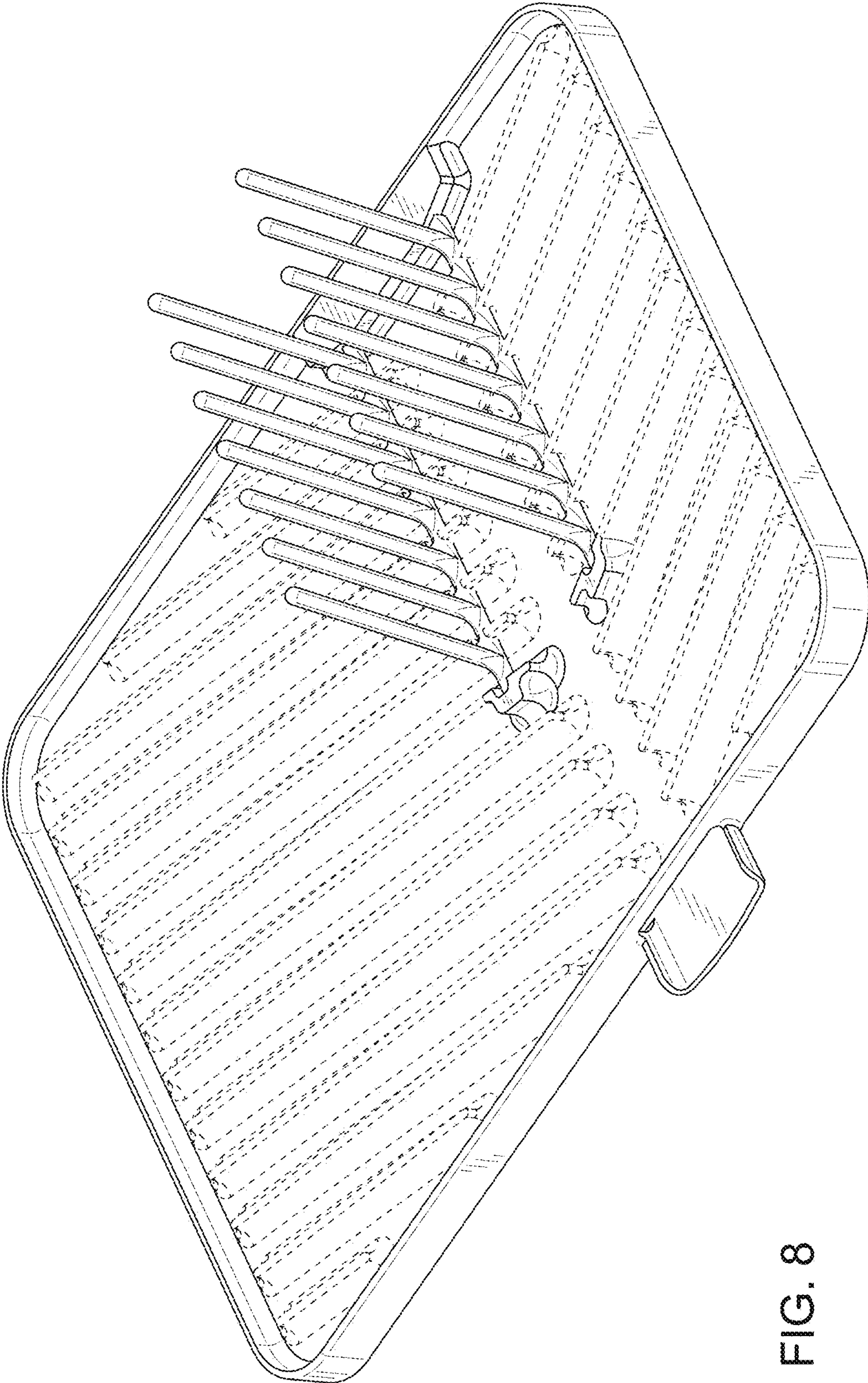


FIG. 8