



US00D891016S

(12) **United States Design Patent**
Tao et al.

(10) **Patent No.:** **US D891,016 S**
(45) **Date of Patent:** **** Jul. 21, 2020**

(54) **ELECTRIC SWEEPER**

(71) Applicant: **Shenzhen FCY Technologies Co., Ltd.**, Shenzhen (CN)

(72) Inventors: **Zhiming Tao**, Shenzhen (CN); **Zhenyu Wu**, Shenzhen (CN); **Xiaomao Chen**, Shenzhen (CN)

(73) Assignee: **SHENZHEN FCY TECHNOLOGIES CO., LTD.**, Shenzhen (CN)

(**) Term: **15 Years**

(21) Appl. No.: **29/645,754**

(22) Filed: **Apr. 29, 2018**

(51) **LOC (12) Cl.** **07-05**

(52) **U.S. Cl.**
USPC **D32/38**

(58) **Field of Classification Search**
USPC D32/15–24, 31–33, 38–39; D4/119, 127, D4/128
CPC A47L 7/02; A47L 11/33; A47L 9/0411; A47L 9/0422; A47L 11/24
See application file for complete search history.

(56) **References Cited**

U.S. PATENT DOCUMENTS

D170,176	S	*	8/1953	Verhagen	D32/20
D180,430	S	*	6/1957	Verhagen	D32/20
D191,097	S	*	8/1961	Reed	D32/20
D212,859	S	*	12/1968	Descarries	D32/20
D289,933	S	*	5/1987	Berfield	D32/20
D349,793	S	*	8/1994	Zahuranec	D32/38
D497,694	S	*	10/2004	Wareham	D32/19
D501,282	S	*	1/2005	Robertson	D32/38
D501,588	S	*	2/2005	Harper	D32/38
D570,061	S	*	5/2008	Busse	D32/19
7,373,685	B2	*	5/2008	Nam	A47L 5/34 15/41.1

D599,066	S	*	8/2009	Baker	D32/38
D626,301	S	*	10/2010	Raven	D32/38
D639,005	S	*	5/2011	Luyckx	D32/38
D653,414	S	*	1/2012	Genoa	D32/38
D657,102	S	*	4/2012	Kaleta	A47L 11/33 D32/38
D665,139	S	*	8/2012	Genoa	D32/38
D704,398	S	*	5/2014	Tinius	D32/16
D750,856	S	*	3/2016	De Smedt	D32/20
2005/0011028	A1	*	1/2005	Chow	A47L 11/24 15/41.1
2005/0066467	A1	*	3/2005	Moshenrose	A47L 9/0422 15/246.2
2005/0155169	A1	*	7/2005	Cheah	A47L 9/0411 15/42
2009/0077761	A1	*	3/2009	Kaleta	A47L 11/33 15/88.4

(Continued)

Primary Examiner — Michelle E. Wilson

(57) **CLAIM**

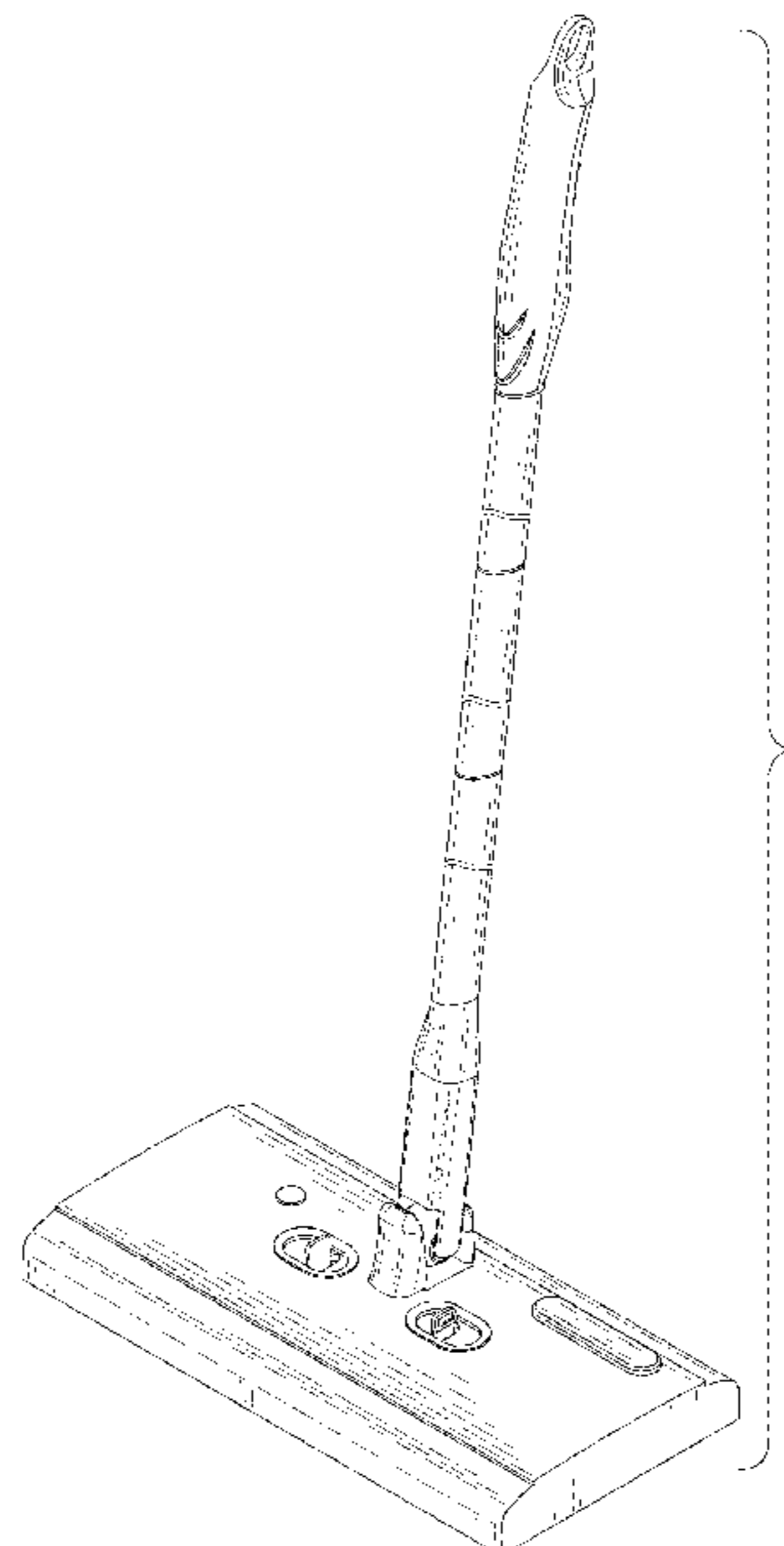
The ornamental design for an electric sweeper, as shown and described.

DESCRIPTION

FIG. 1 is a perspective view of the electric sweeper showing my new design;
 FIG. 2 is similar to FIG. 1, but viewed from another aspect;
 FIG. 3 is a front elevational view thereof;
 FIG. 4 is a rear elevational view thereof;
 FIG. 5 is a left side elevational view thereof;
 FIG. 6 is a right side elevational view thereof;
 FIG. 7 is a top plan view thereof; and,
 FIG. 8 is a bottom plan view thereof.

The broken away portions of the electric sweeper shown in the drawings indicate that any portion of the article shown in between the broken away portions form no part of the claimed design.

1 Claim, 8 Drawing Sheets



(56)

References Cited

U.S. PATENT DOCUMENTS

2011/0138570 A1* 6/2011 Hsu A47L 7/02
15/383

* cited by examiner

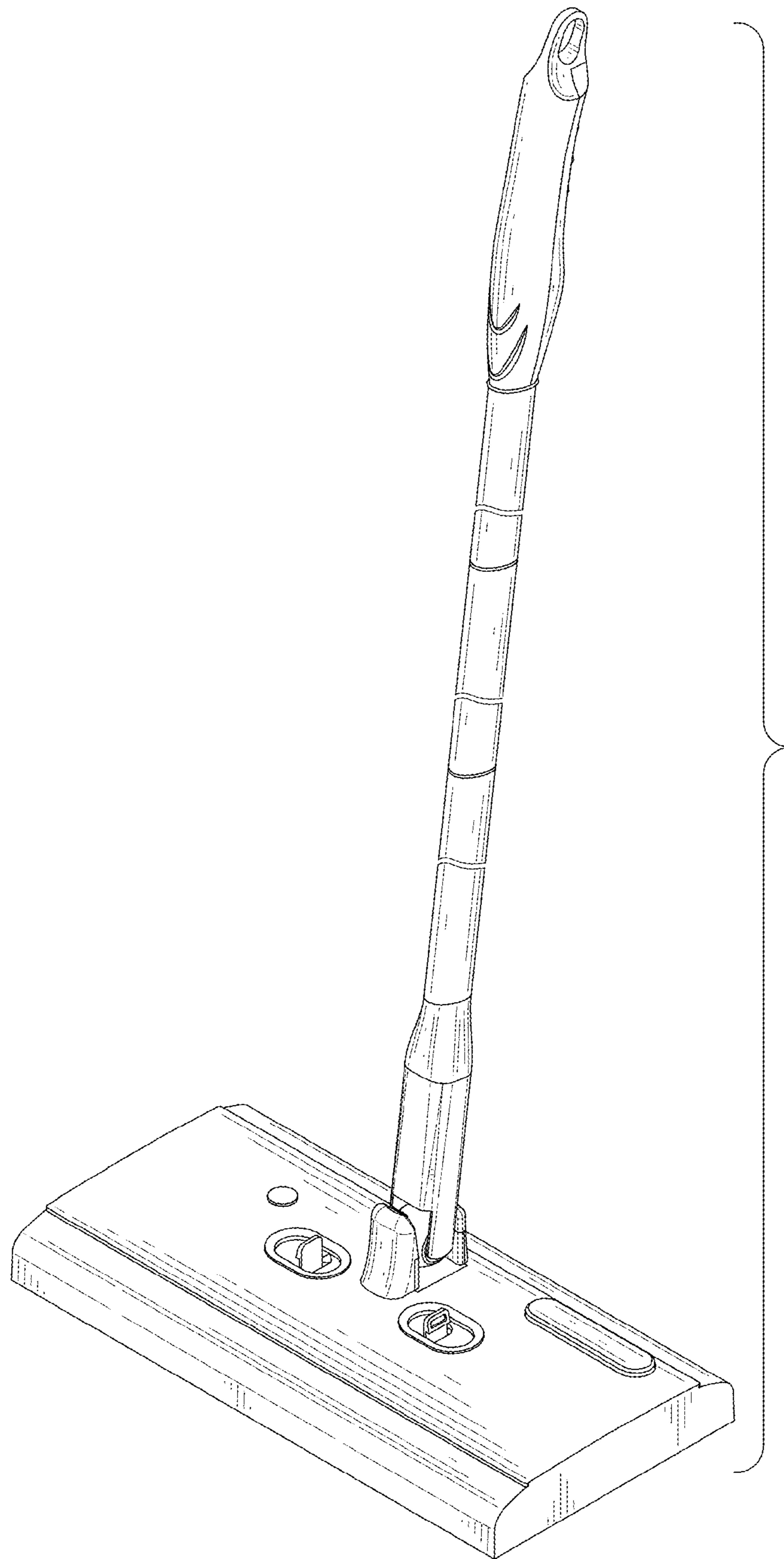


FIG. 1

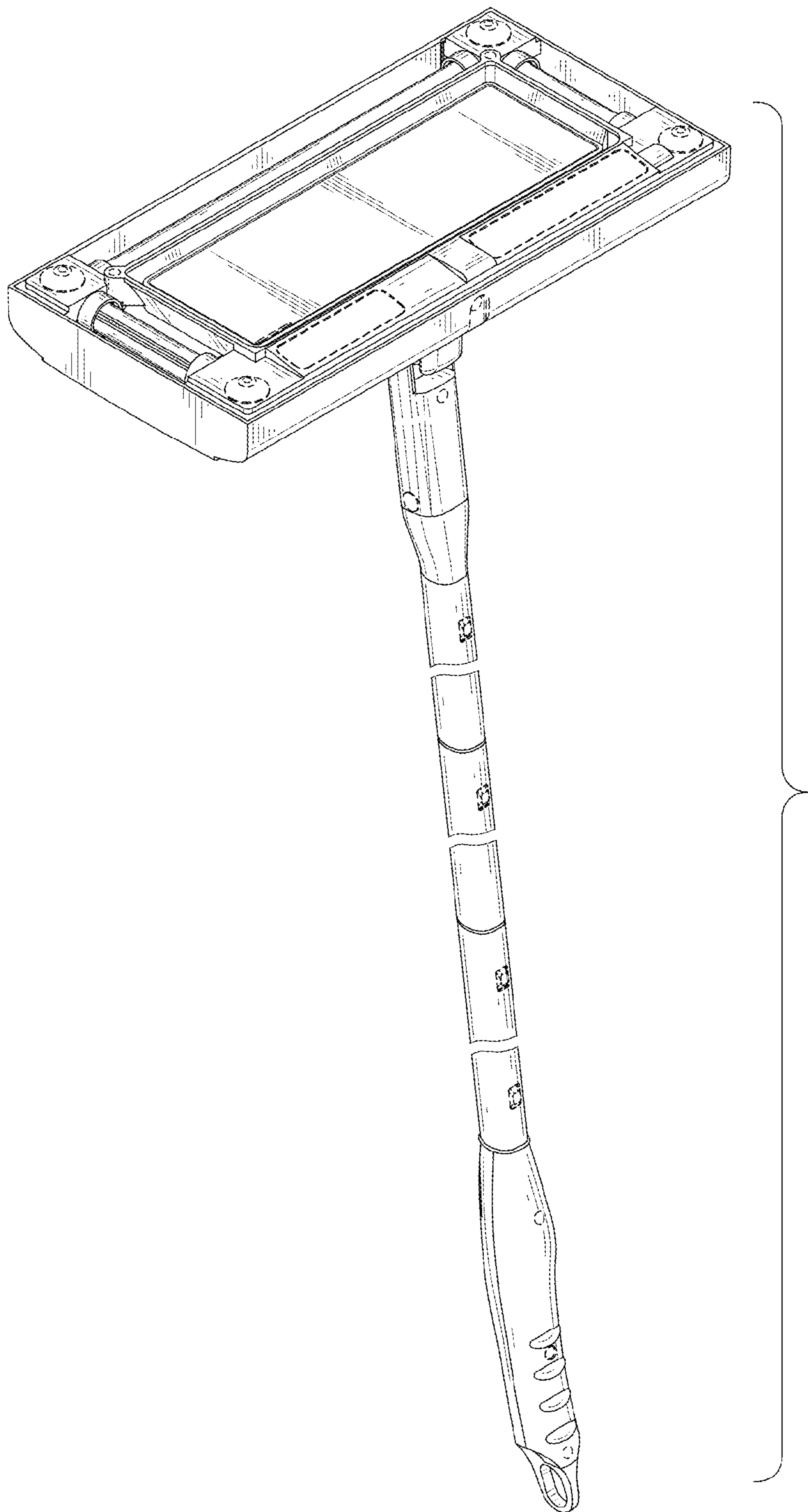


FIG. 2

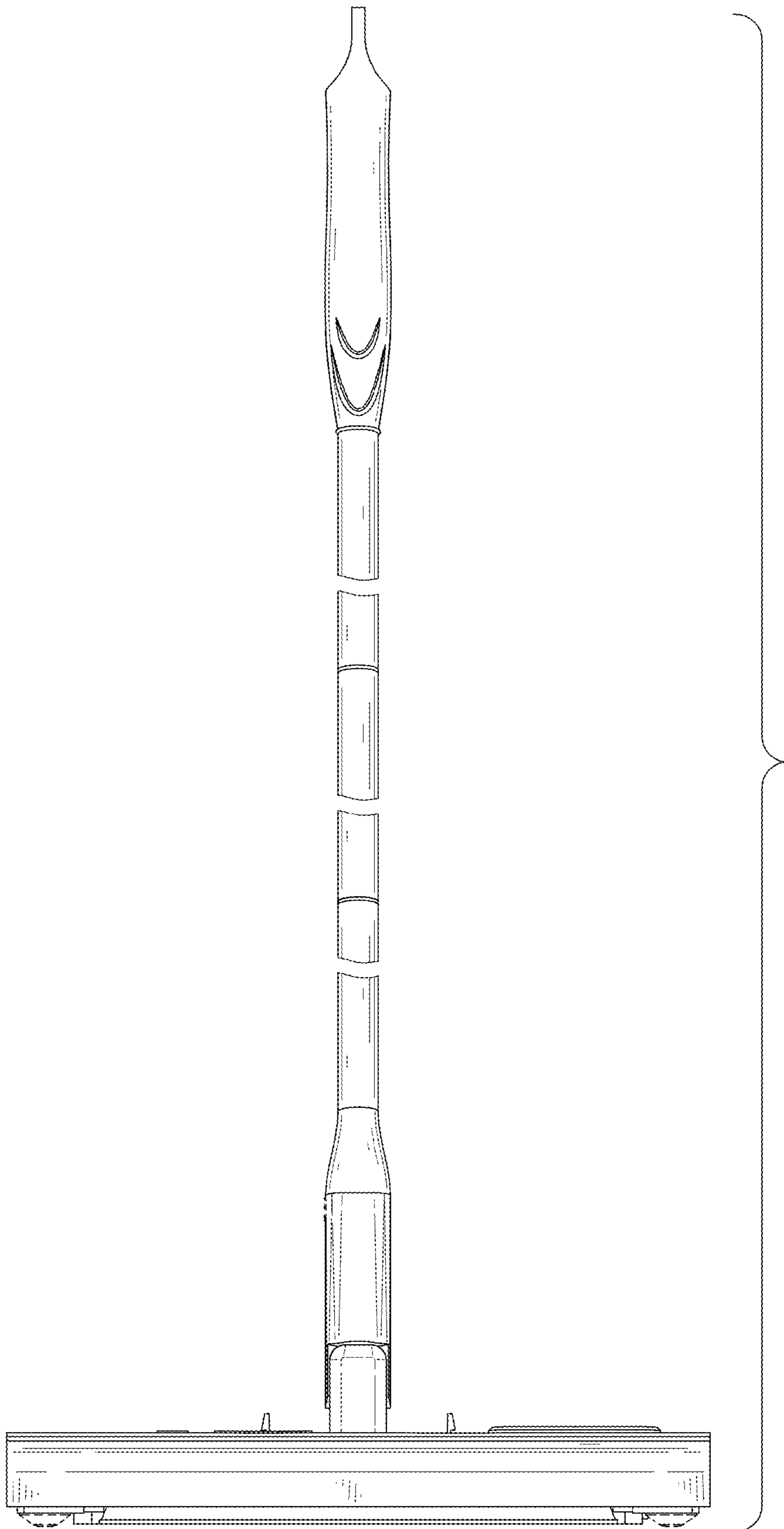


FIG. 3

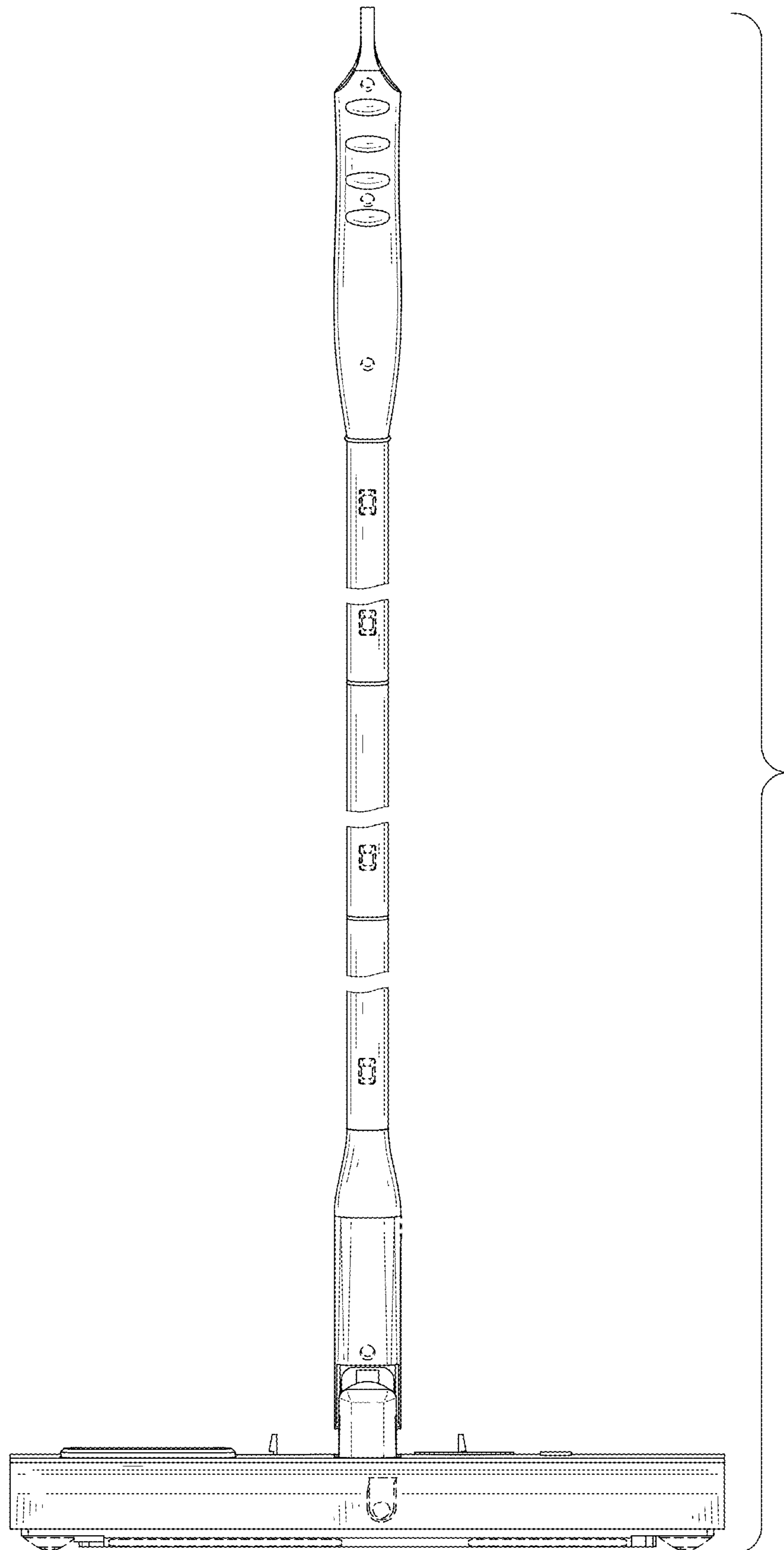


FIG. 4

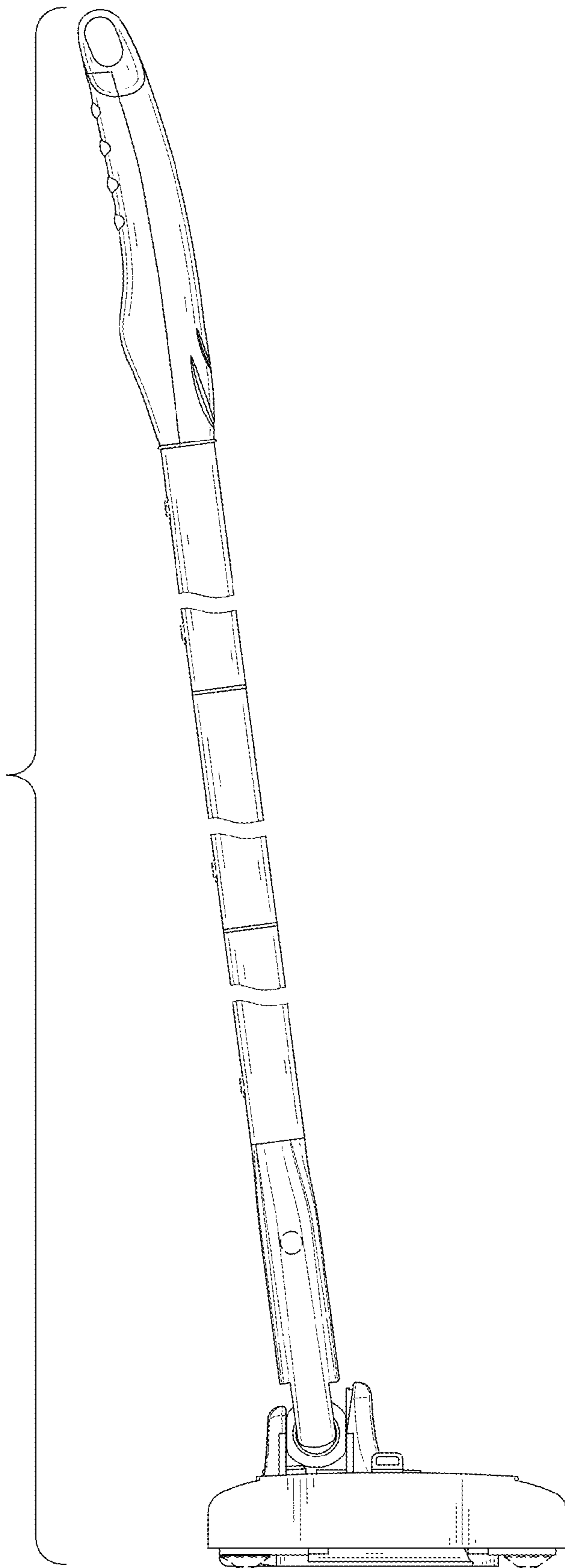


FIG. 5

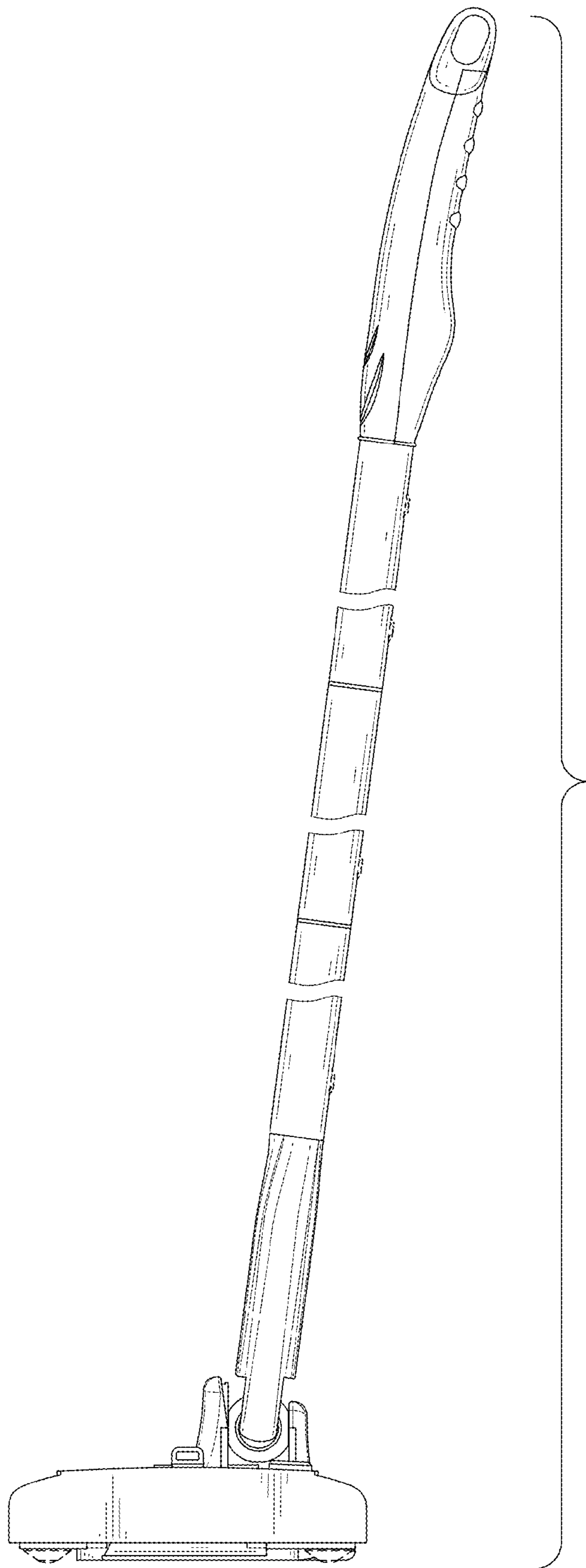


FIG. 6

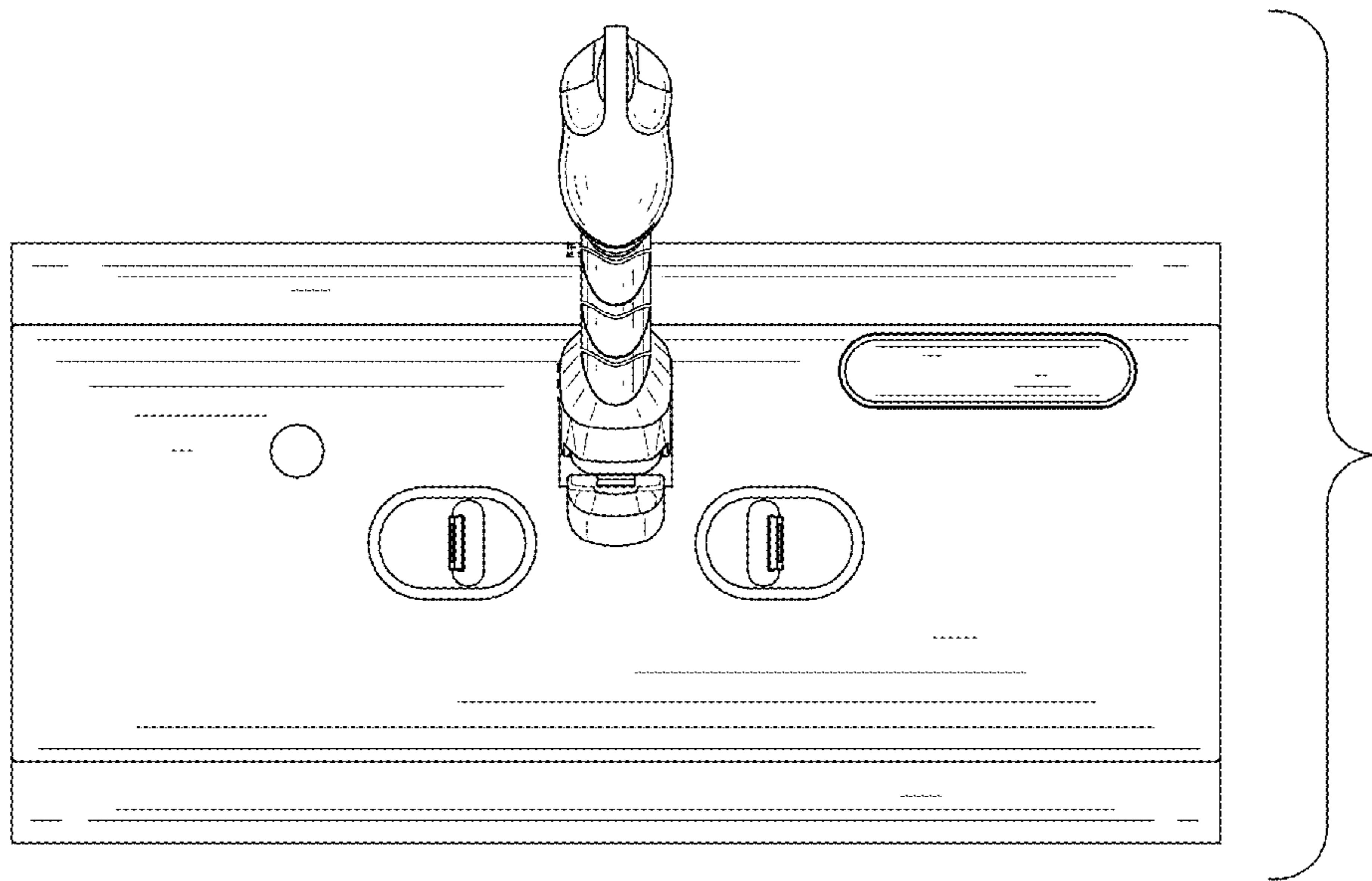


FIG. 7

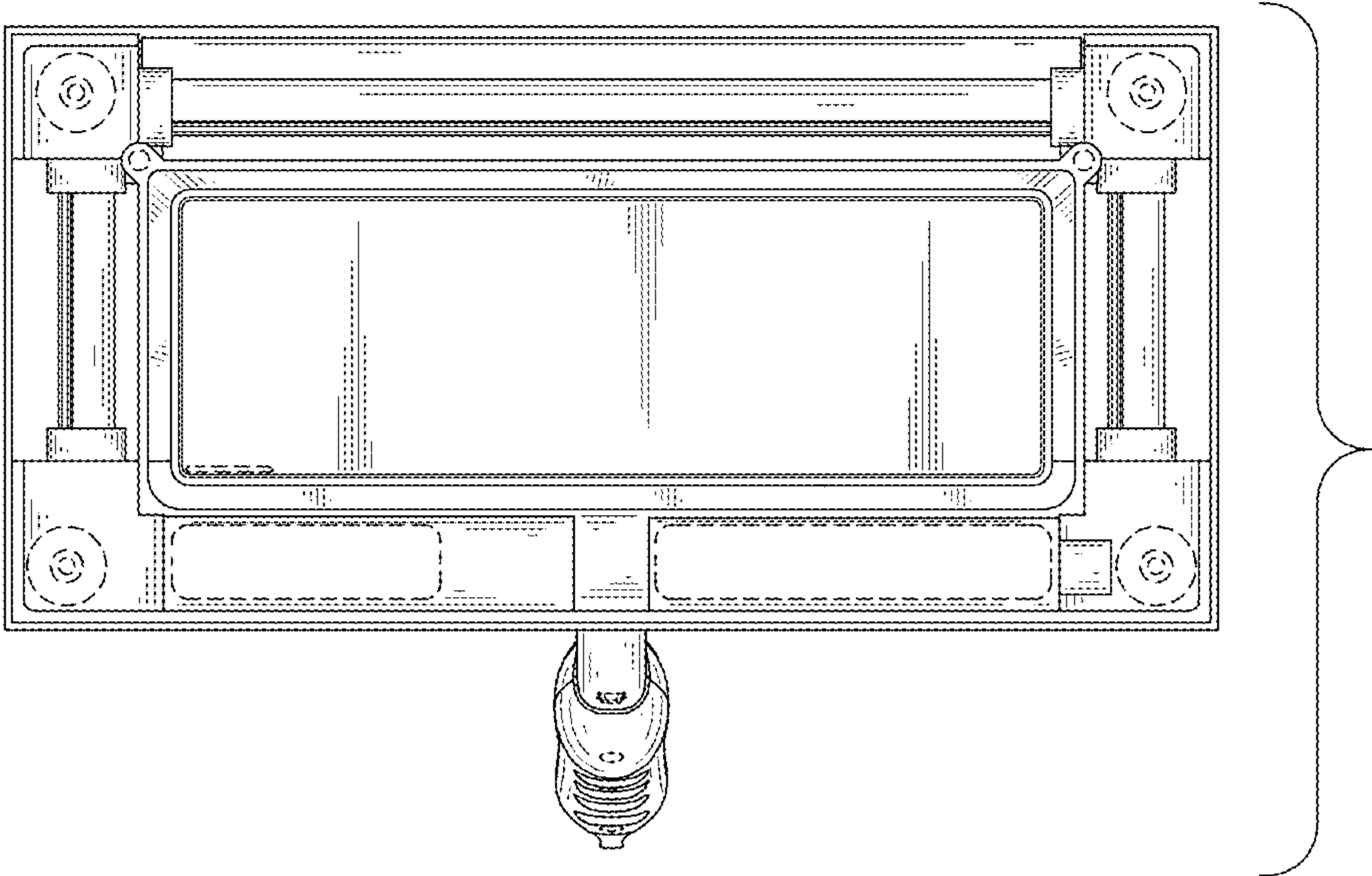


FIG. 8