

US00D891015S

(12) **United States Design Patent**
Palladino et al.

(10) **Patent No.:** **US D891,015 S**
(45) **Date of Patent:** **** Jul. 21, 2020**

- (54) **VACUUM CLEANER**
- (71) Applicant: **SHARKNINJA OPERATING LLC**,
Needham, MA (US)
- (72) Inventors: **Gary Palladino**, Sommerville, MA
(US); **Owen R. Johnson**, Needham,
MA (US)
- (73) Assignee: **SharkNinja Operating LLC**,
Needham, MA (US)
- (**) Term: **15 Years**
- (21) Appl. No.: **29/695,664**
- (22) Filed: **Jun. 20, 2019**

Related U.S. Application Data

- (63) Continuation of application No. 29/611,782, filed on
Jul. 25, 2017, now abandoned.
- (51) **LOC (12) Cl.** **15-05**
- (52) **U.S. Cl.**
USPC **D32/31**
- (58) **Field of Classification Search**
USPC D32/22, 31-33, 17
CPC A47L 11/20; A47L 11/34; A47L 11/40;
A47L 11/4016; A47L 11/4086; A47L
5/28; A47L 5/24; A47L 7/02; A47L
13/225; A47L 13/22
See application file for complete search history.

(56) **References Cited**

U.S. PATENT DOCUMENTS

6,012,200	A	1/2000	Murphy et al.
6,226,832	B1	5/2001	McCormick
D510,465	S	10/2005	Takahashi et al.
7,200,893	B2	4/2007	Gerber et al.
7,329,294	B2	2/2008	Conrad
D573,759	S	7/2008	Konno et al.

D587,870	S	3/2009	Baek et al.
D608,064	S	1/2010	Conrad et al.
D611,210	S	3/2010	Conrad et al.
7,690,079	B2	4/2010	Boddy et al.
D633,264	S	2/2011	Lee
8,032,983	B2	10/2011	Griffith et al.
D662,271	S *	6/2012	Conrad D32/31
D662,272	S	6/2012	Conrad et al.
8,402,601	B2	3/2013	Fahlstrom
D680,288	S	4/2013	Bilger et al.
D685,961	S *	7/2013	Bilger D32/31
D686,377	S	7/2013	Thorne
D693,975	S	11/2013	Santiago et al.
D695,980	S	12/2013	Thorne
8,631,541	B2	1/2014	Tran

(Continued)

FOREIGN PATENT DOCUMENTS

JP	H10201682	A	8/1998
WO	2014131106	A1	9/2014

Primary Examiner — Michael A. Pratt

(74) *Attorney, Agent, or Firm* — Grossman Tucker
Perreault & Pfeleger, PLLC

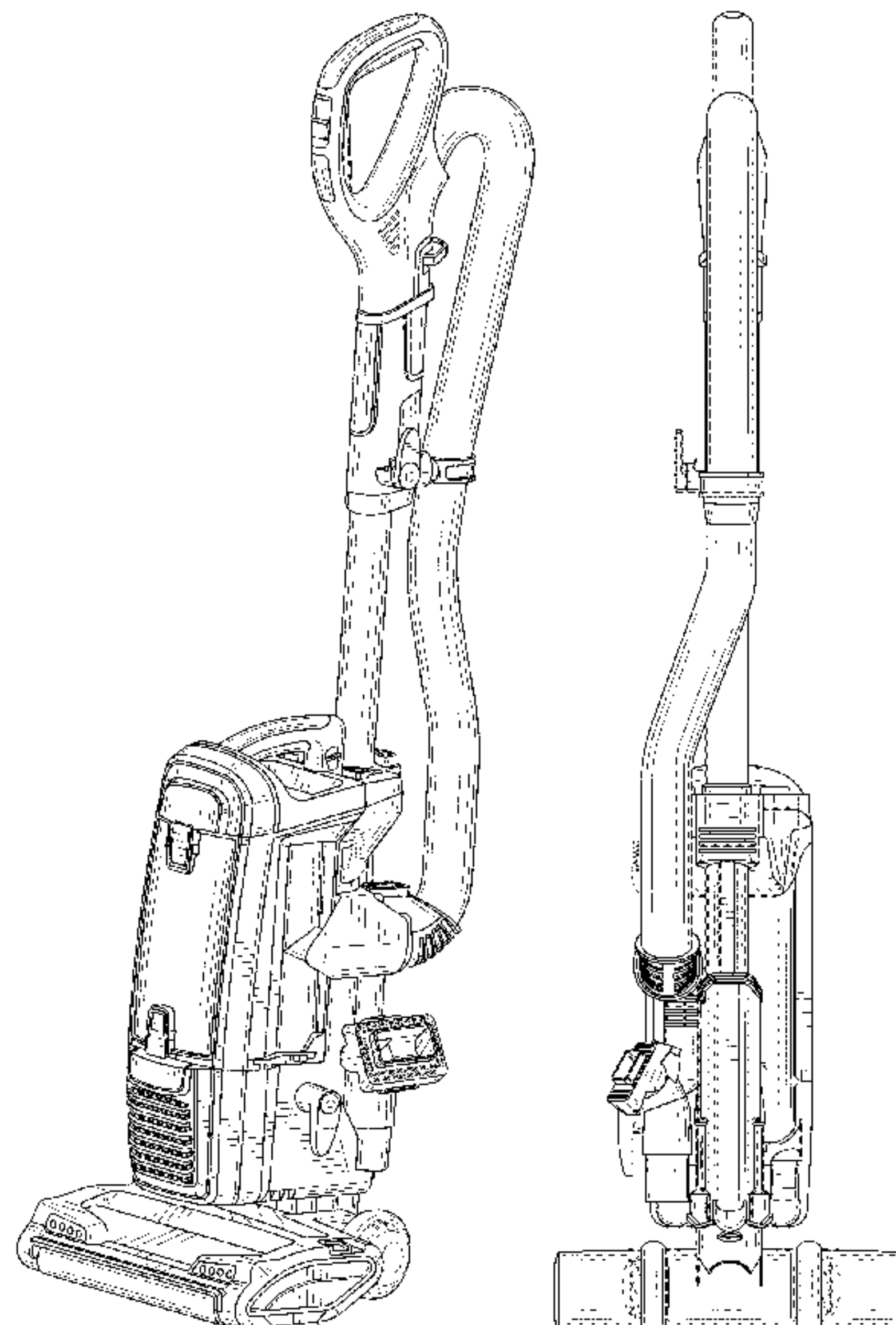
(57) **CLAIM**

We claim the ornamental design for a vacuum cleaner, as
shown and described.

DESCRIPTION

FIG. 1 is a perspective view of a vacuum cleaner showing
the new design;
FIG. 2 is a front view thereof;
FIG. 3 is a back view thereof;
FIG. 4 is a left side view thereof;
FIG. 5 is a right side view thereof;
FIG. 6 is a top view thereof; and,
FIG. 7 is a bottom view thereof.
Broken lines in the drawings are for the purpose of illus-
trating portions of the vacuum cleaner that form no part of
the claimed design.

1 Claim, 7 Drawing Sheets



(56)

References Cited

U.S. PATENT DOCUMENTS

8,776,311	B2	7/2014	Genn et al.	
D728,878	S *	5/2015	Johnson	D32/31
D739,104	S *	9/2015	Johnson	D32/31
D739,620	S *	9/2015	Johnson	D32/22
9,119,511	B2	9/2015	Kah, Jr.	
D740,505	S *	10/2015	Gidwell	D32/31
9,215,960	B2 *	12/2015	Conrad	A47L 9/2857
9,427,122	B2	8/2016	Conrad et al.	
9,451,855	B2	9/2016	Conrad	
D768,944	S *	10/2016	Zhang	D32/22
D769,557	S *	10/2016	Johnson	D32/22
D770,106	S *	10/2016	Johnson	D32/22
D773,135	S *	11/2016	Zhou	D32/31
D783,912	S *	4/2017	Shin	D32/22
D784,636	S *	4/2017	Canas	D32/22
D785,258	S *	4/2017	Canas	D32/31
D794,880	S *	8/2017	Zhou	D32/22
D804,120	S *	11/2017	Bond	D32/31
D804,751	S *	12/2017	Johnson	D32/22
9,962,049	B2 *	5/2018	Thorne	A47L 5/28
D838,068	S *	1/2019	Bond	D32/31
D844,267	S *	3/2019	Zhou	D32/22
D845,566	S *	4/2019	Hooley	D32/22
D845,567	S *	4/2019	Hooley	D32/22

* cited by examiner

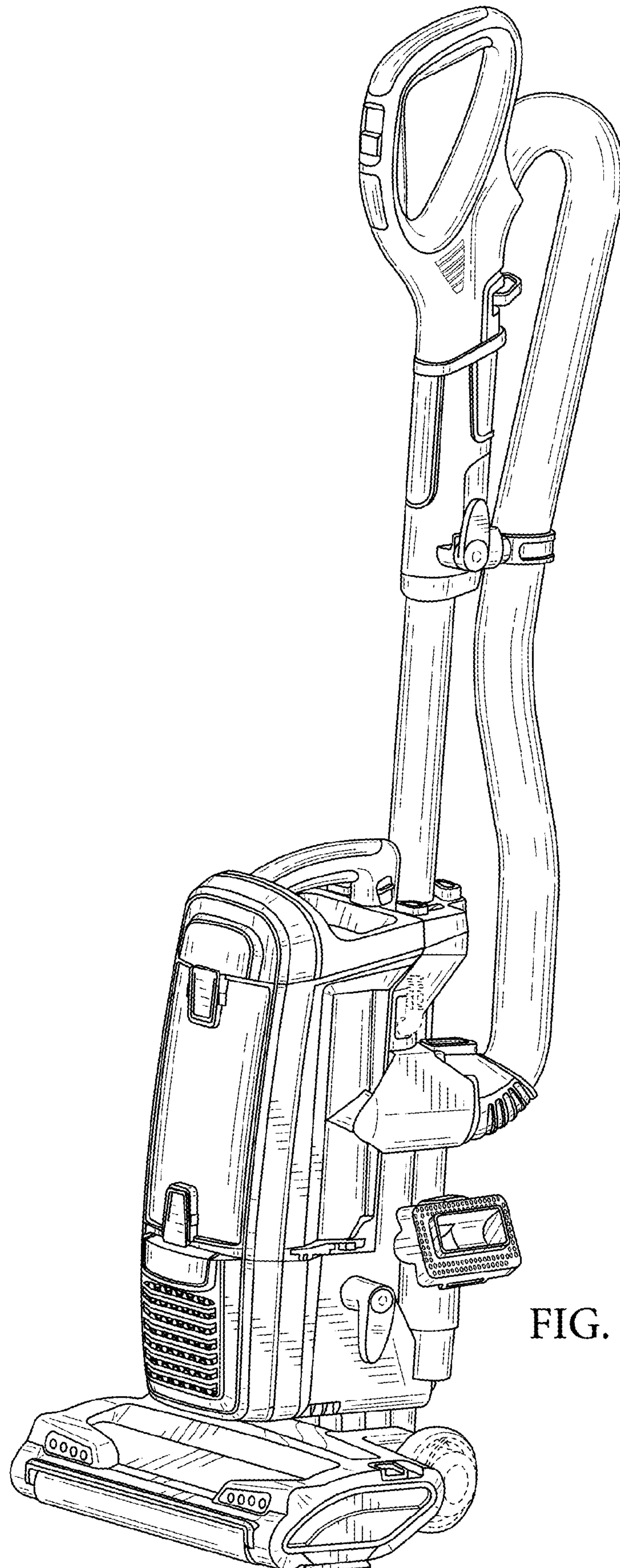


FIG. 1

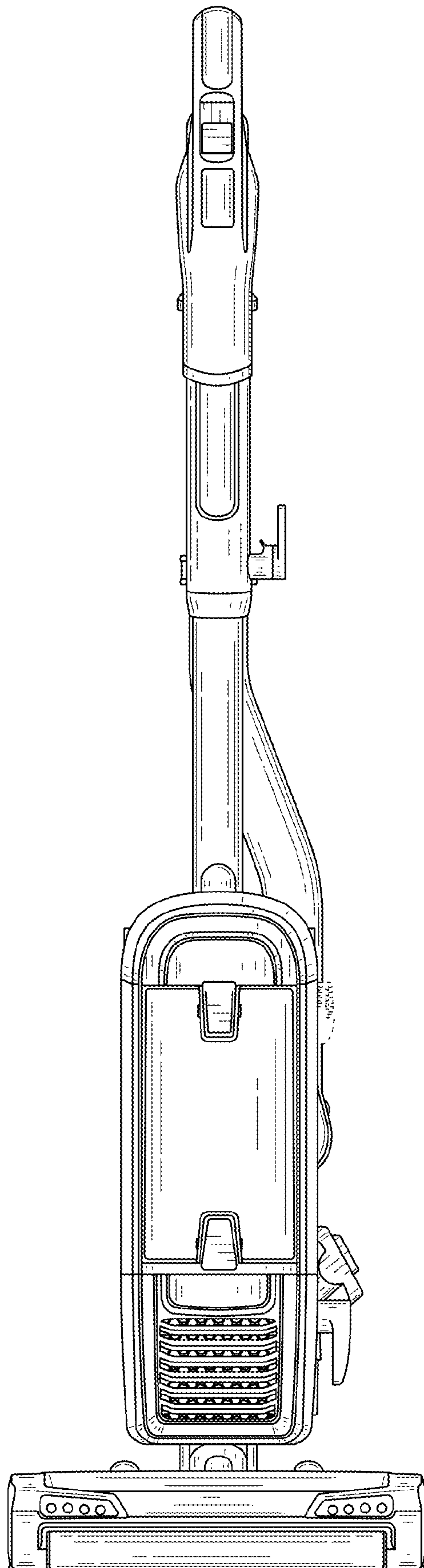


FIG. 2

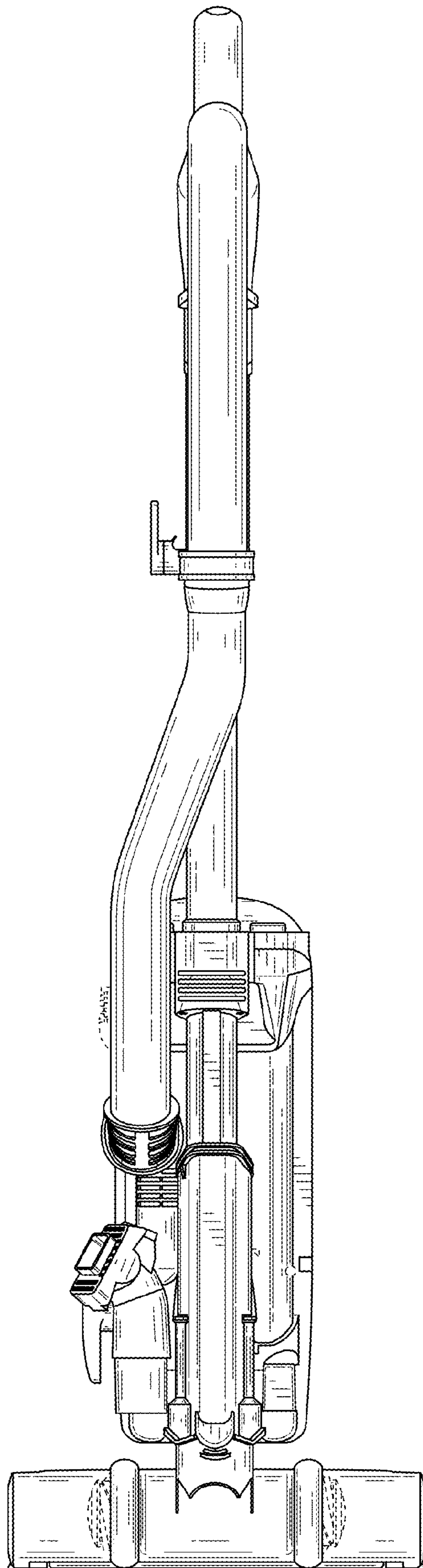


FIG. 3

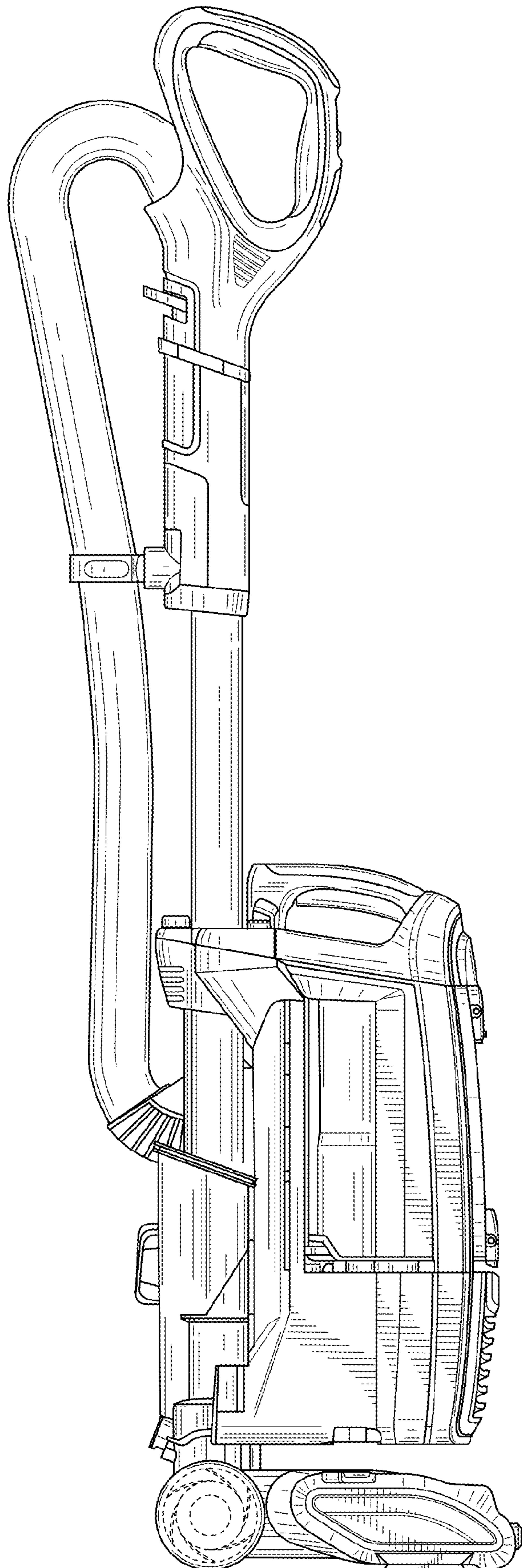


FIG. 4

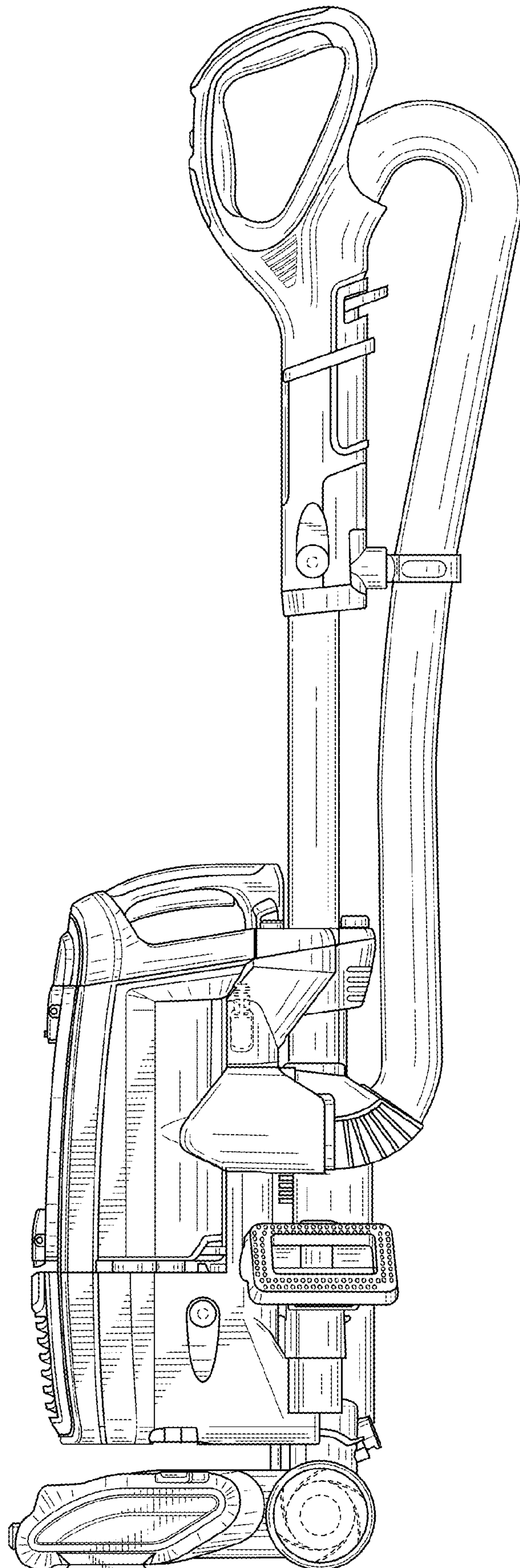


FIG. 5

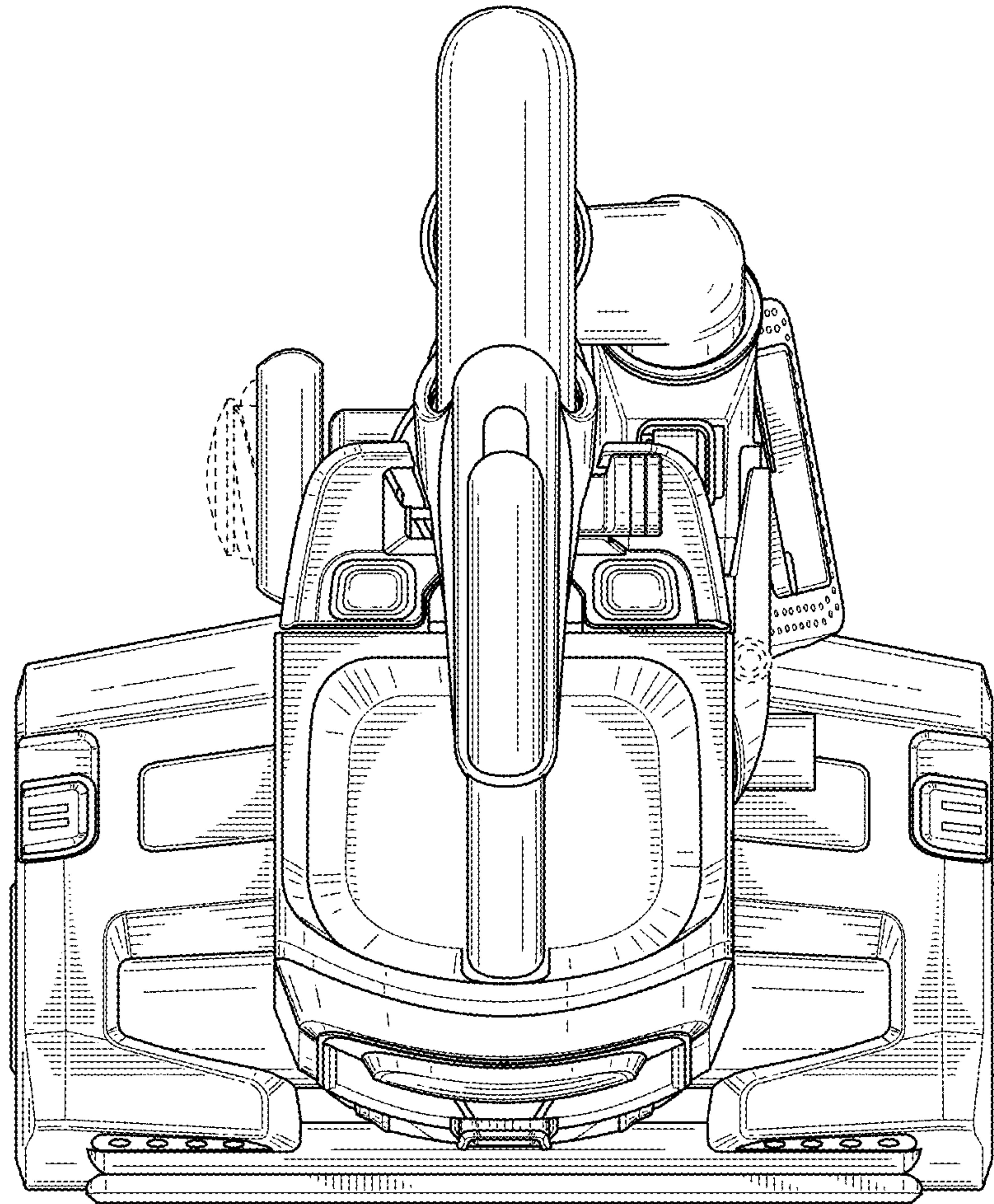


FIG. 6

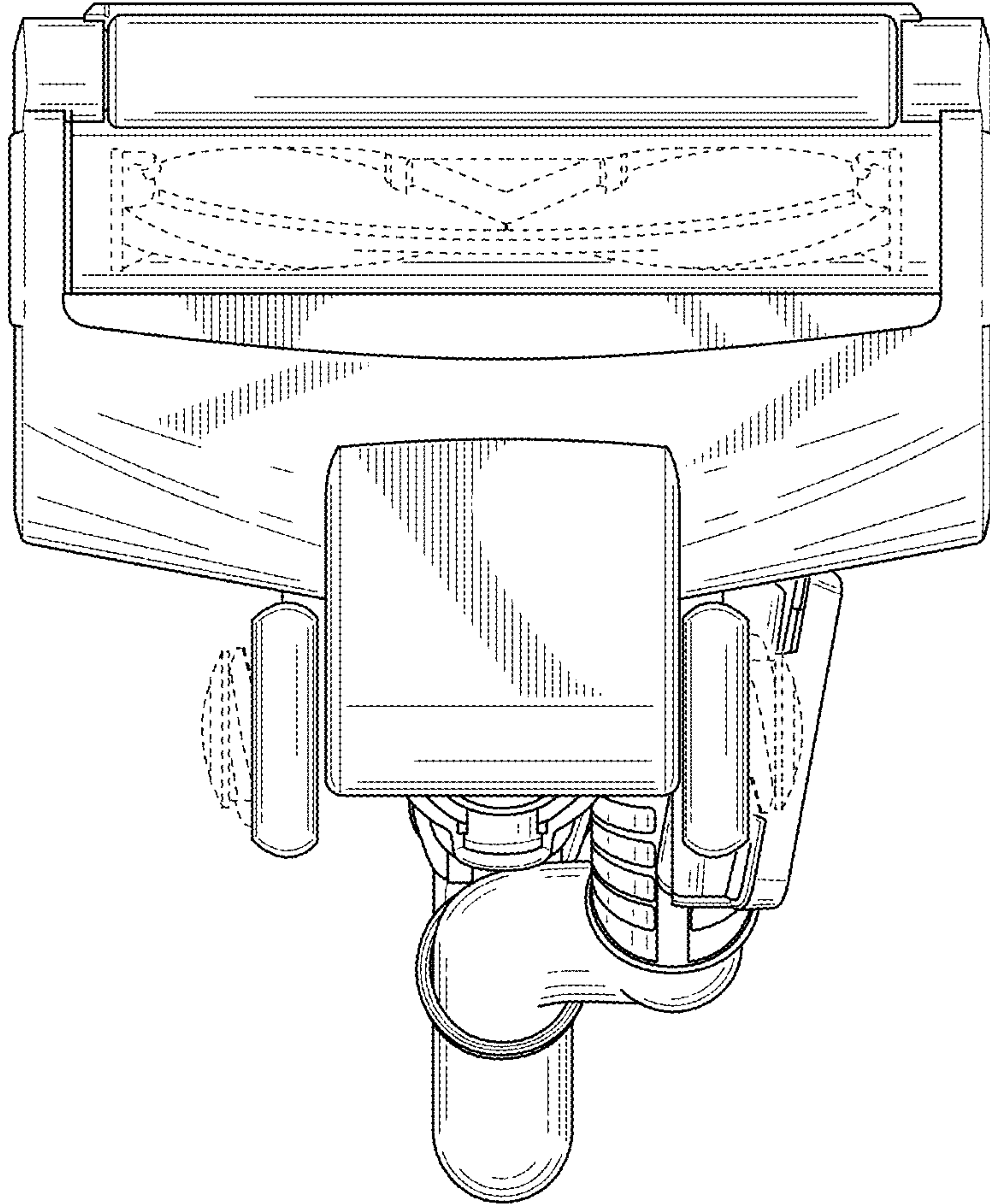


FIG. 7