



US00D891008S

(12) **United States Design Patent** (10) **Patent No.:** **US D891,008 S**
Zeng (45) **Date of Patent:** **** Jul. 21, 2020**

(54) **TREAT DISPENSING ANIMAL TOY**

(56) **References Cited**

(71) Applicant: **Super Design Manufacture Co. Ltd.,**
Zhongshan (CN)

U.S. PATENT DOCUMENTS

(72) Inventor: **Yibao Zeng,** Zhongshan (CN)

D393,110 S *	3/1998	Mauldin, Jr.	D30/160
D402,318 S *	12/1998	Dunipace	D21/443
D526,029 S *	8/2006	Ragonetti	A01K 15/025
			D21/444
D548,409 S *	8/2007	Renforth	D21/444
D640,329 S *	6/2011	Oblack	D21/444
D652,181 S *	1/2012	Lee	D30/160
D721,459 S *	1/2015	Smith	D30/160
D812,320 S *	3/2018	Stone	D30/160
D822,296 S *	7/2018	Loibl	D30/160
D850,025 S *	5/2019	Loibl	D30/160

(73) Assignee: **Super Design Manufacture Co. Ltd.,**
Zhongshan (CN)

(**) Term: **15 Years**

(Continued)

(21) Appl. No.: **29/644,519**

(22) Filed: **Apr. 18, 2018**

(51) **LOC (12) Cl.** **30-99**

Primary Examiner — Sheryl Lane

(52) **U.S. Cl.**

Assistant Examiner — Aula Soroush

USPC **D30/160**

(74) *Attorney, Agent, or Firm* — McAndrews, Held & Malloy, Ltd.

(58) **Field of Classification Search**

USPC D21/398, 400, 402, 412, 415, 426, 436,
D21/439, 440, 441, 443, 455, 460-462,
D21/466-468, 479, 495, 563, 656, 712,
D21/713, 788, 799.1, 470, 681; D24/211,
D24/214, 215, 193-195; D30/160, 112,
D30/119; D1/125-127

(57) **CLAIM**

The ornamental design for a treat dispensing animal toy, as shown and described.

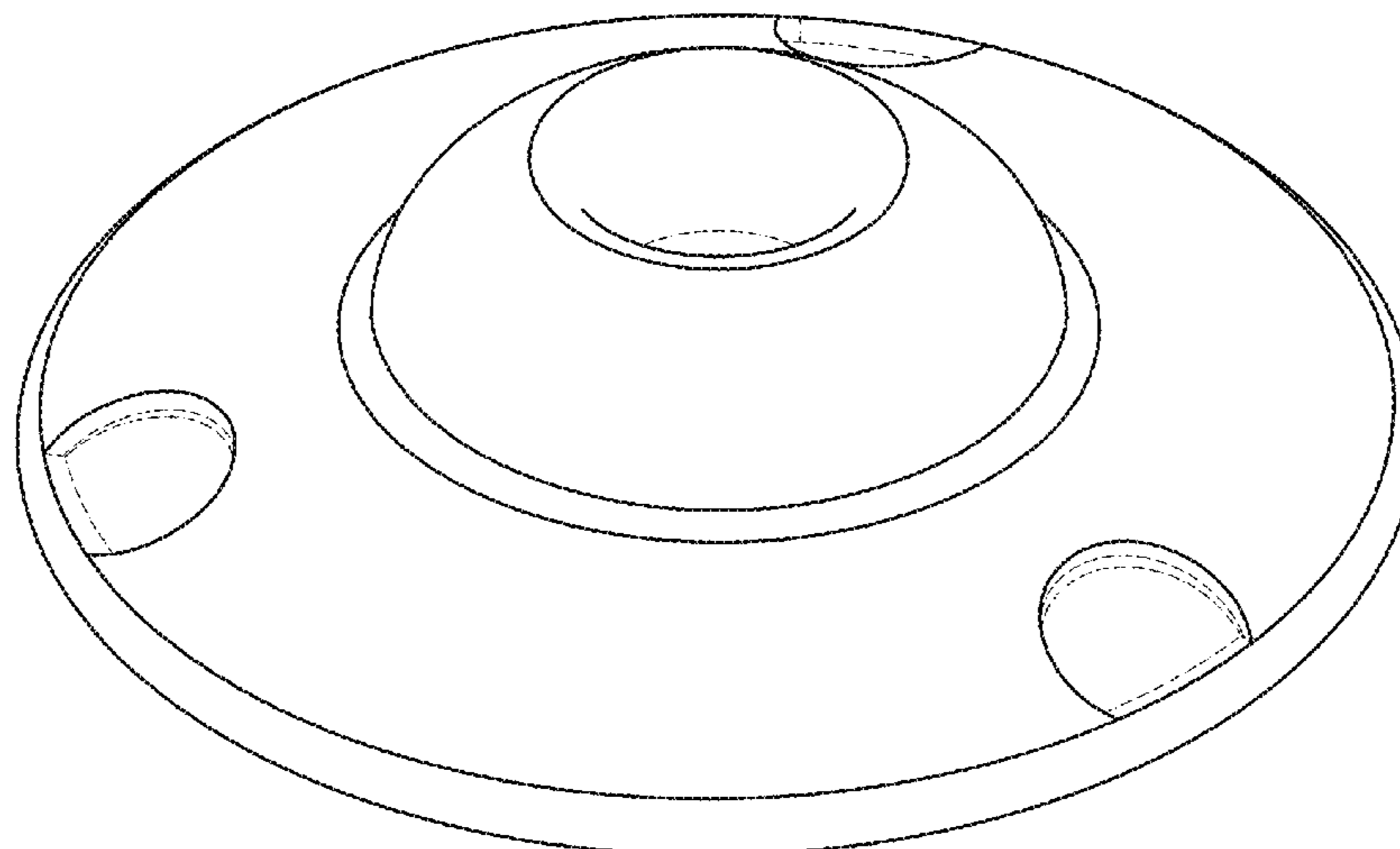
CPC A63H 5/00; A63H 33/26; A63H 33/18;
A63H 29/22; A63H 29/24; A63H
2200/00; A63H 11/00; A63H 13/00;
A63H 18/02; A63H 18/14; A63H 18/16;
A63H 29/00; A63H 33/009; A63H 33/22;
A63H 33/3055; A63H 3/003; A63H
3/006; A63H 3/008; A63H 3/24; A63H
3/28; A63H 3/31; A63H 3/36; A63H
9/00; A63B 59/20; A63B 59/406; A63B
47/04; A63B 2220/51; A63B 2220/53;
A63B 2220/56; A63B 2220/805; A63B
2071/0625; A63B 2071/063; A63B
2220/17; A63B 2220/18; A63B 2220/40;
A63B 2220/803; A63B 2220/833; A63B
43/004; A63B 43/06; A63B 71/0622;
A63B 2071/0602; A63B 21/0055; A63B
2207/02; A63B 2225/54; A63B 69/0053;
A63B 2047/043

DESCRIPTION

FIG. 1 is a front perspective view of a treat dispensing animal toy showing my new design;
FIG. 2 is a front elevation view thereof;
FIG. 3 is a rear elevation view thereof;
FIG. 4 is a left side elevation view thereof;
FIG. 5 is a right side elevation thereof;
FIG. 6 is a top plan view thereof;
FIG. 7 is a bottom plan view thereof; and,
FIG. 8 is an exploded front perspective view thereof.
The broken lines in the drawings illustrate portions of the treat dispensing animal toy that form no part of the claimed design.

See application file for complete search history.

1 Claim, 8 Drawing Sheets



(56)

References Cited

U.S. PATENT DOCUMENTS

2003/0184013 A1* 10/2003 Chodosh A63B 67/06
273/139
2003/0232565 A1* 12/2003 Silvergate A63H 33/18
446/34
2005/0021138 A1* 1/2005 Woods A61F 2/1648
623/6.34
2006/0194504 A1* 8/2006 Ragonetti A01K 15/025
446/46
2007/0026758 A1* 2/2007 Renforth A01K 15/025
446/46

* cited by examiner

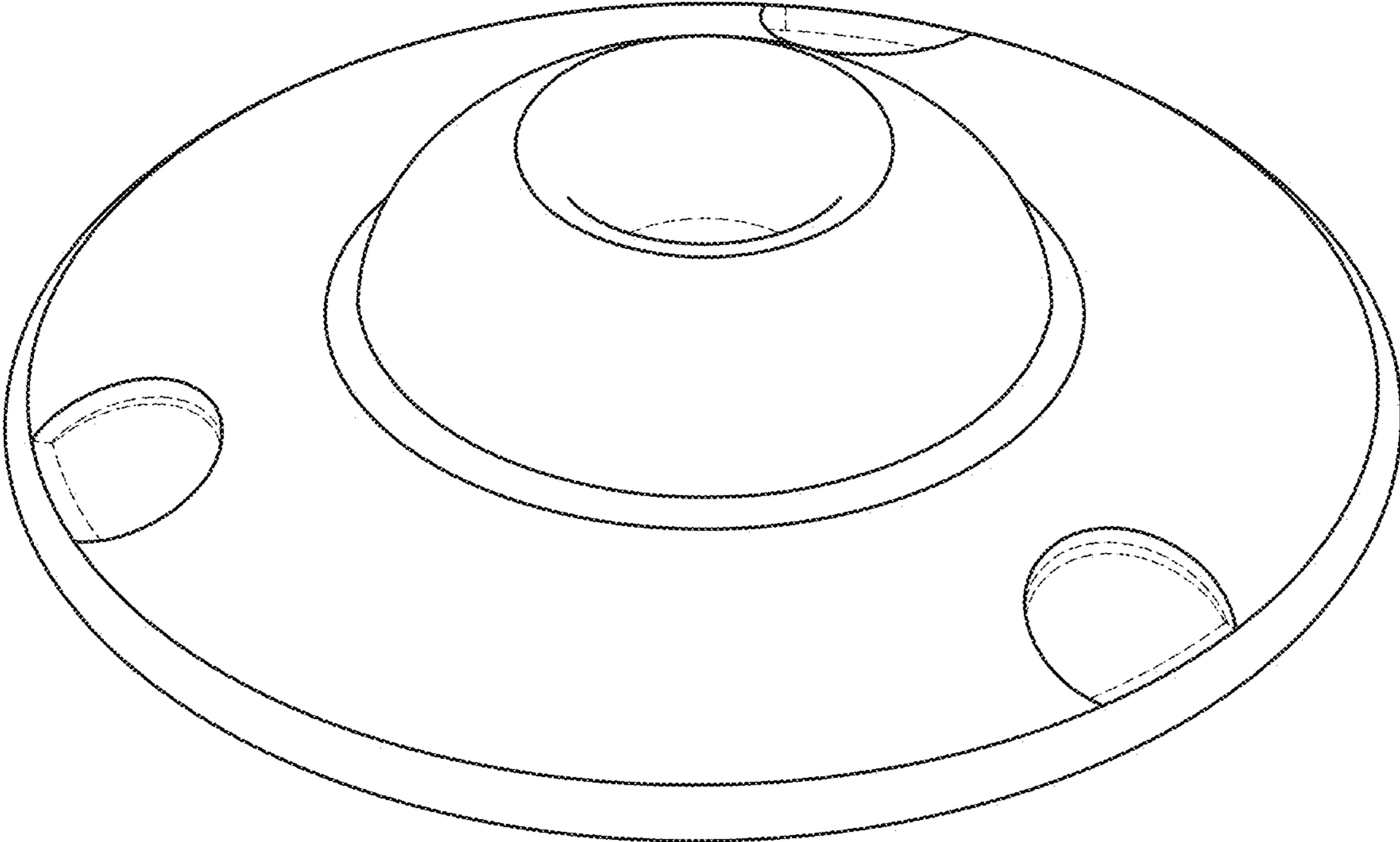


FIG. 1

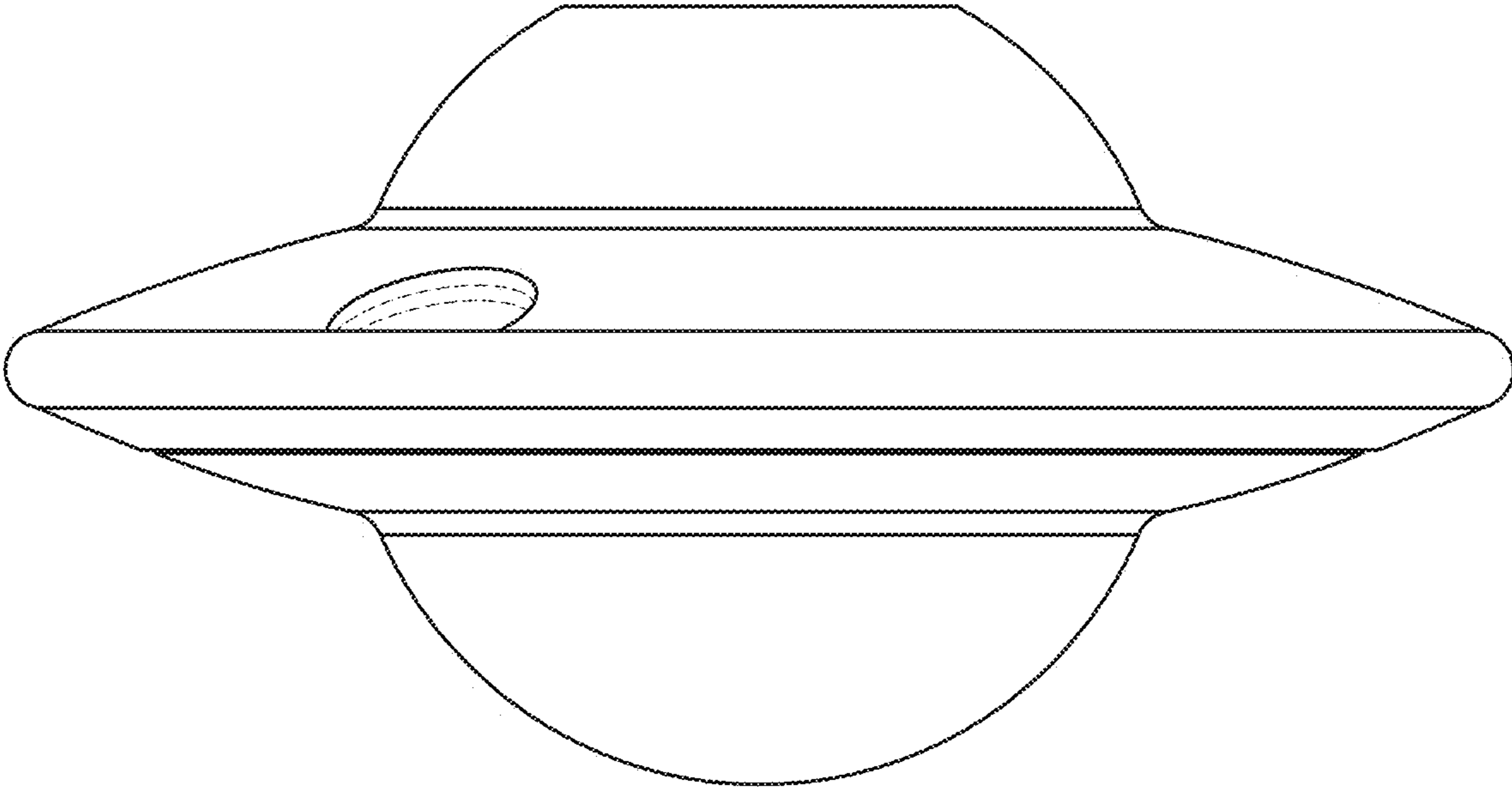


FIG. 2

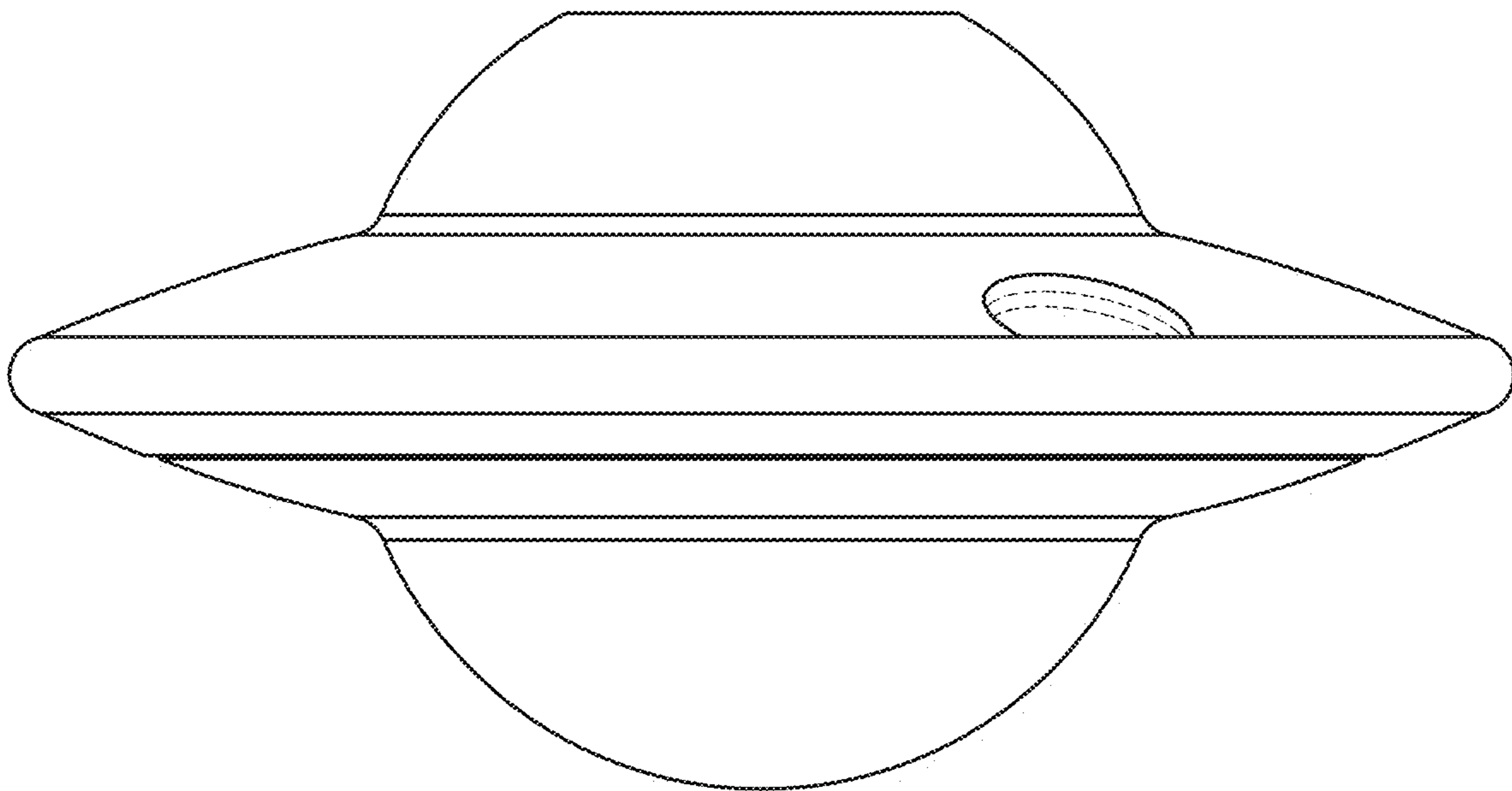


FIG. 3

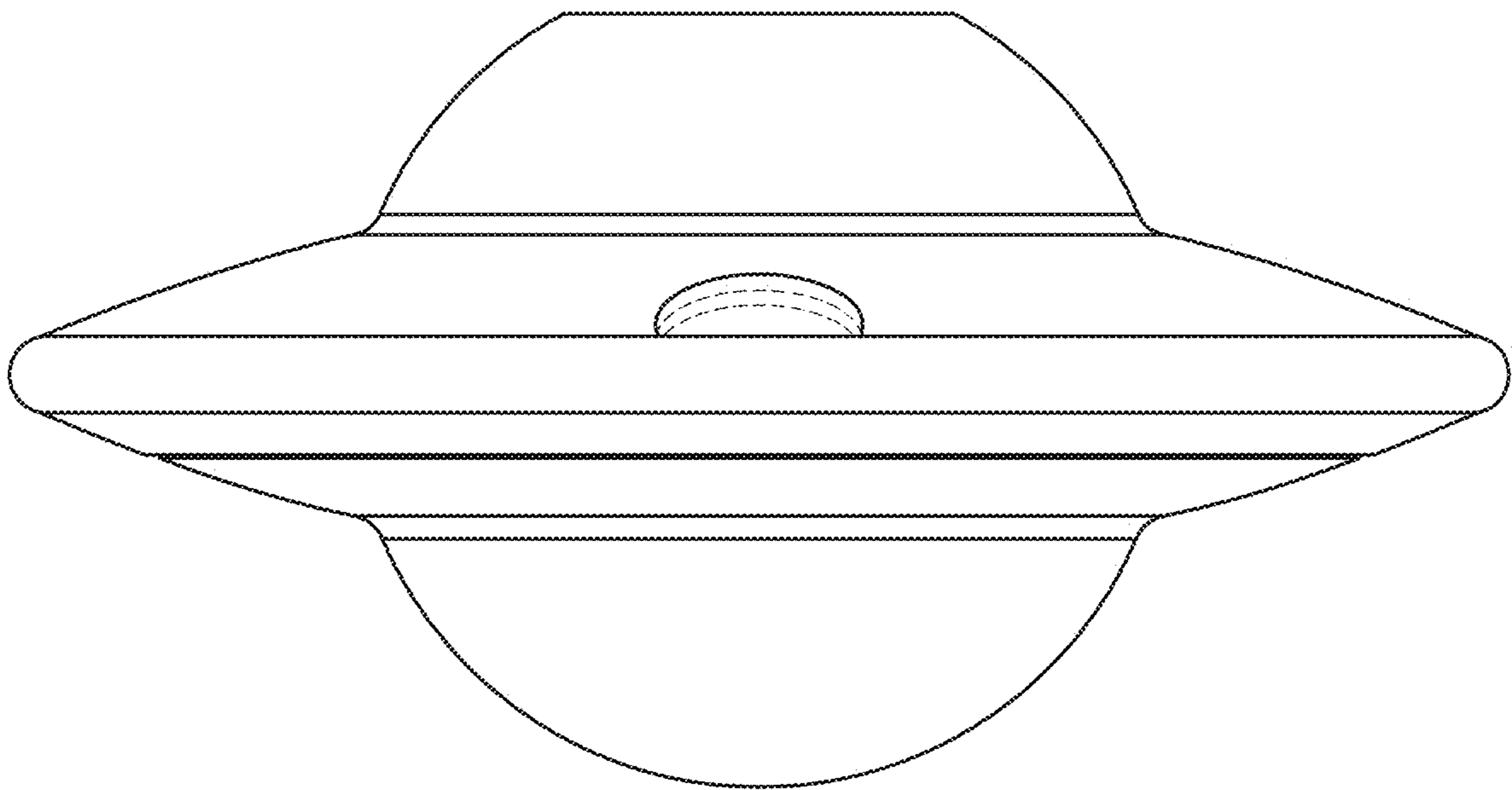


FIG. 4

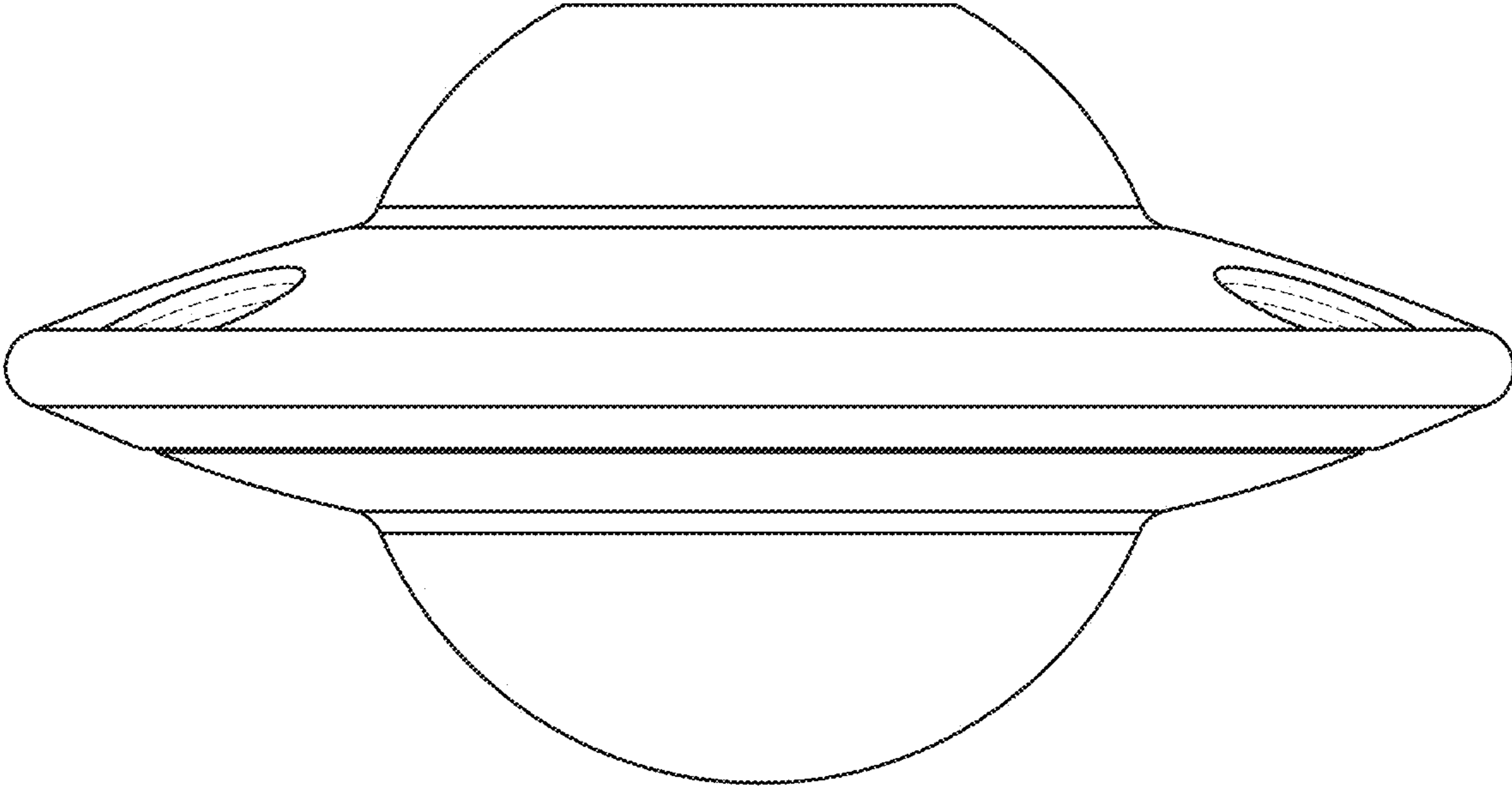


FIG. 5

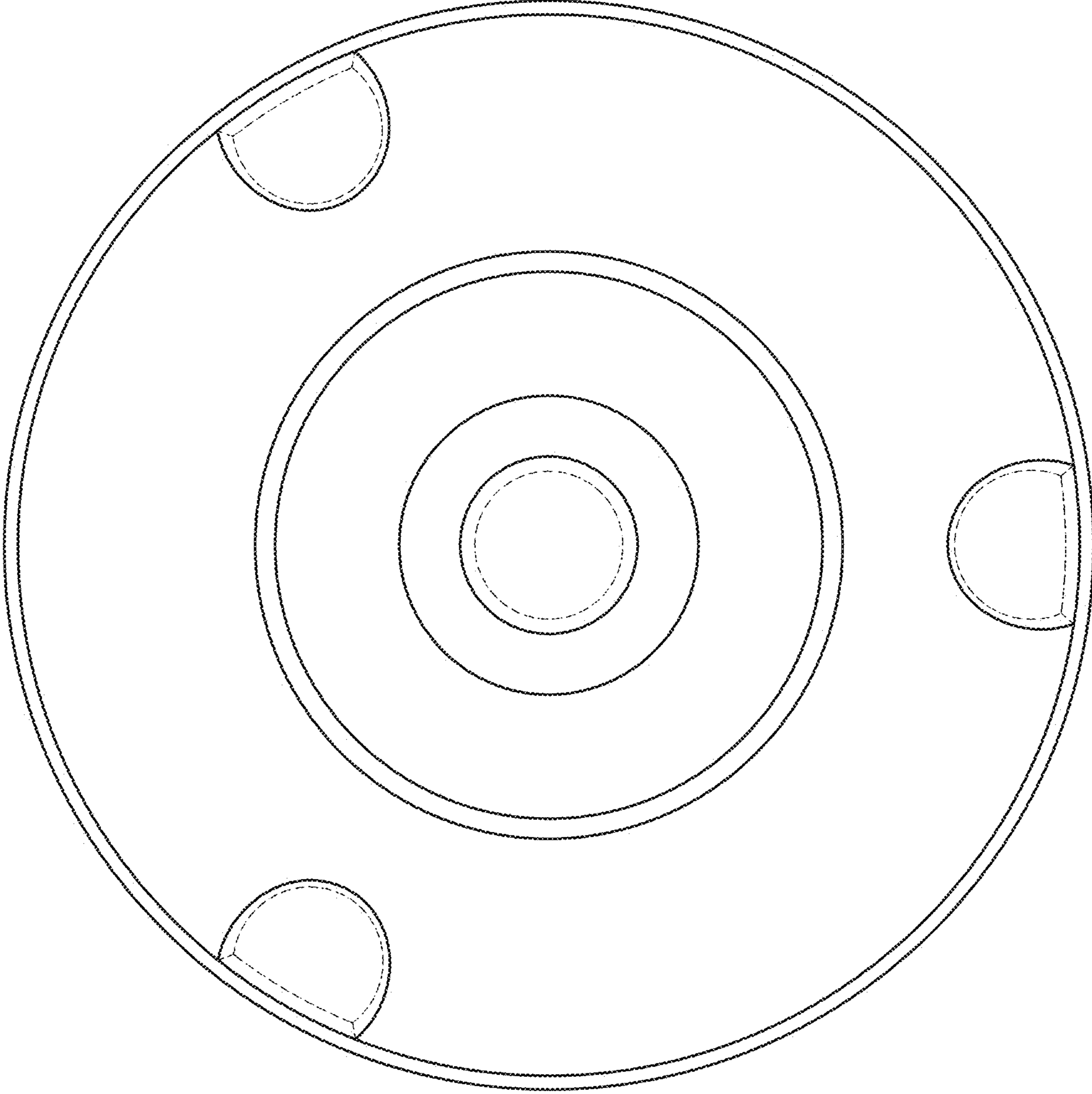


FIG. 6

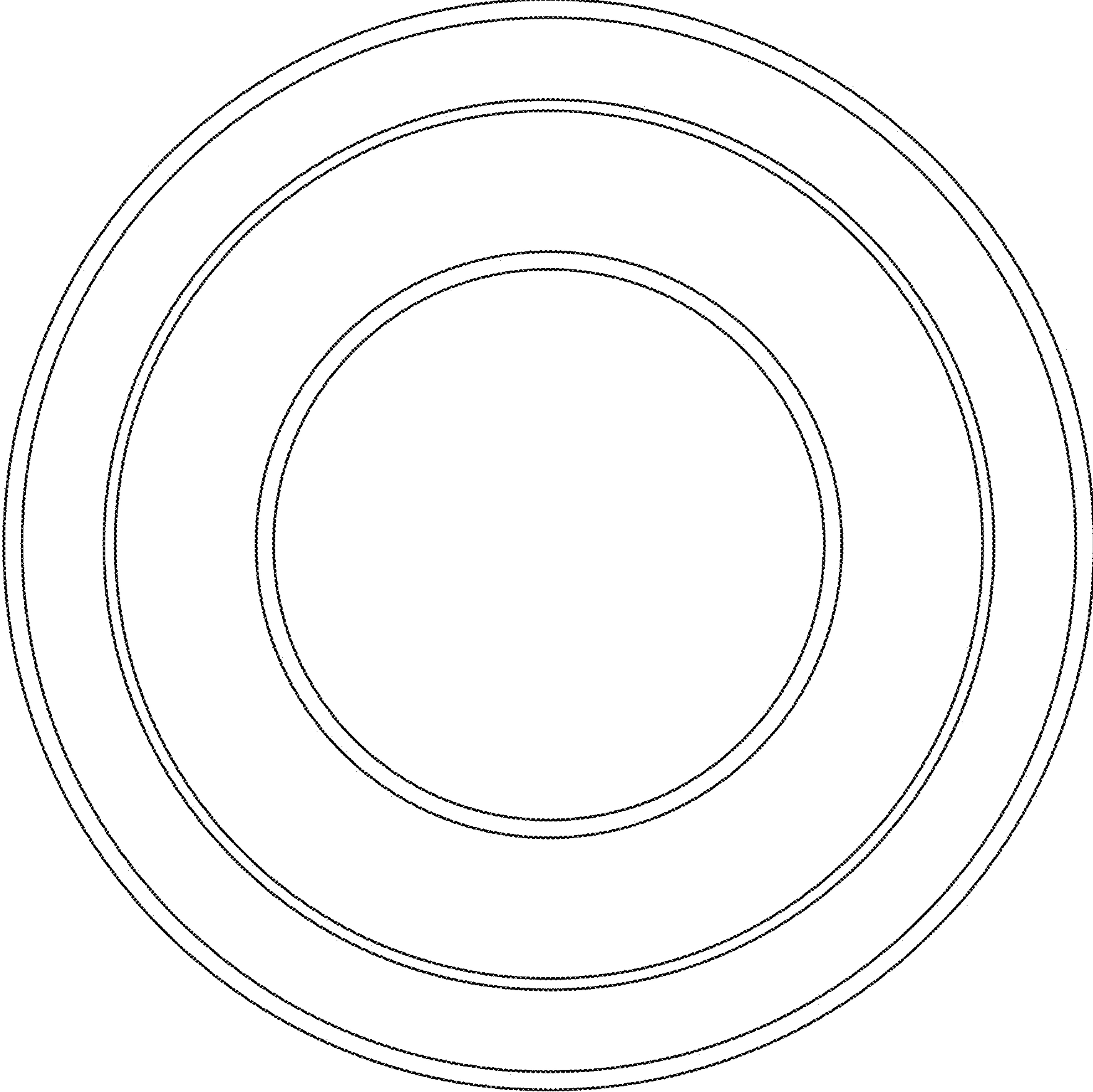


FIG. 7

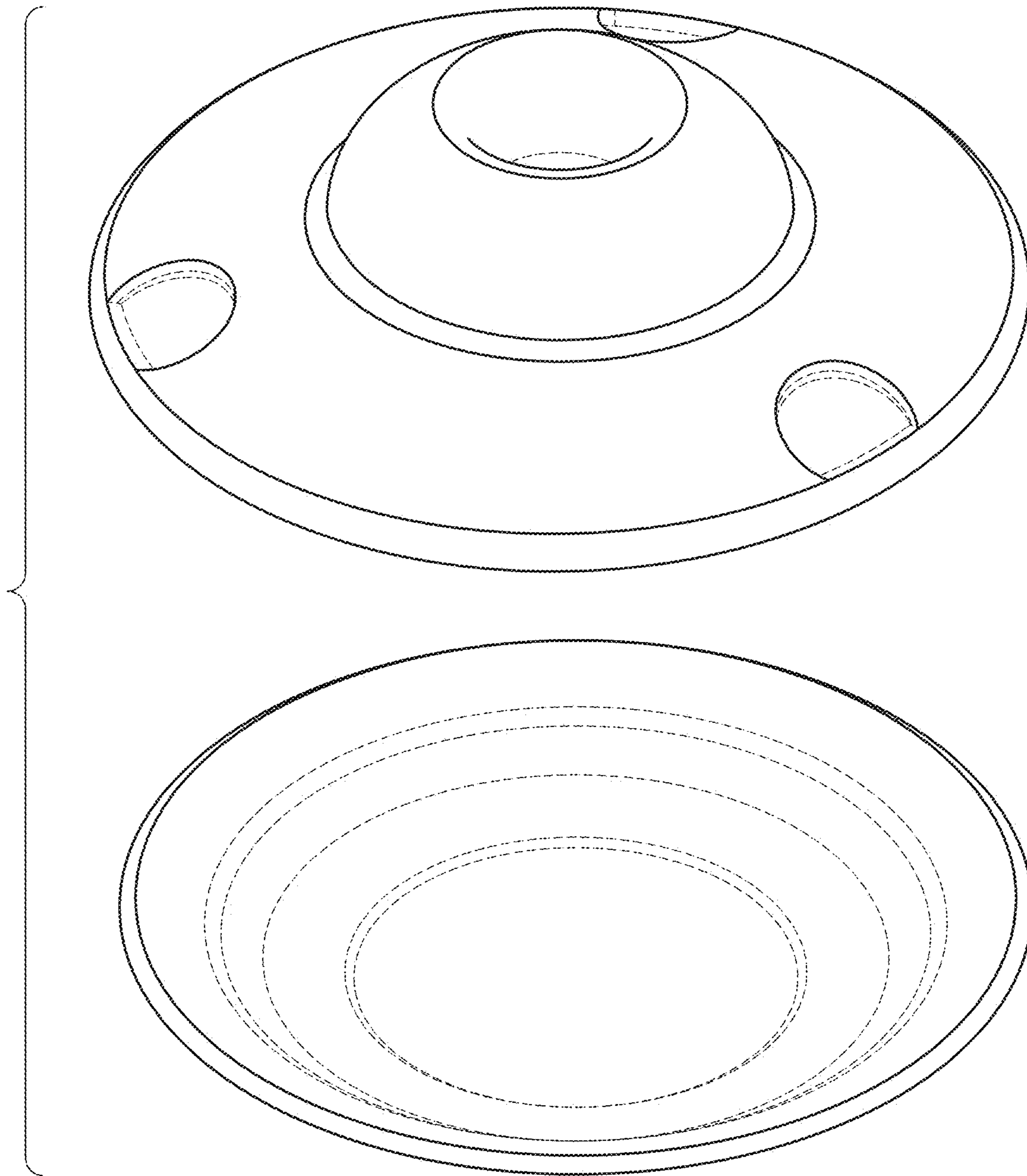


FIG. 8