



US00D891006S

(12) **United States Design Patent**  
**Ma**

(10) **Patent No.:** **US D891,006 S**

(45) **Date of Patent:** **\*\* Jul. 21, 2020**

(54) **DOUBLE FEEDING BASIN FOR PETS**

(71) Applicant: **Huixin Ma**, Guangdong (CN)

(72) Inventor: **Huixin Ma**, Guangdong (CN)

(\*\*) Term: **15 Years**

(21) Appl. No.: **29/654,844**

(22) Filed: **Jun. 28, 2018**

(30) **Foreign Application Priority Data**

Dec. 30, 2017 (CN) ..... 2017 3 0687111

(51) **LOC (12) Cl.** ..... **30-03**

(52) **U.S. Cl.**  
USPC ..... **D30/129; D30/130**

(58) **Field of Classification Search**  
USPC ..... D30/121, 122, 129-133, 199  
CPC ..... A01K 5/00  
See application file for complete search history.

(56) **References Cited**

**U.S. PATENT DOCUMENTS**

D659,297 S \* 5/2012 Stygstra ..... D30/130  
D699,076 S \* 2/2014 Harris ..... D30/130

D717,006 S \* 11/2014 Alfonso ..... D30/129  
D758,675 S \* 6/2016 Breit ..... D30/130  
D869,781 S \* 12/2019 Han ..... D30/130  
D873,502 S \* 1/2020 MacNeil ..... D30/130  
D873,503 S \* 1/2020 MacNeil ..... D30/133  
D875,326 S \* 2/2020 Gevaert ..... D30/130

\* cited by examiner

*Primary Examiner* — Michael C Stout

*Assistant Examiner* — Katrina N Gonzalez

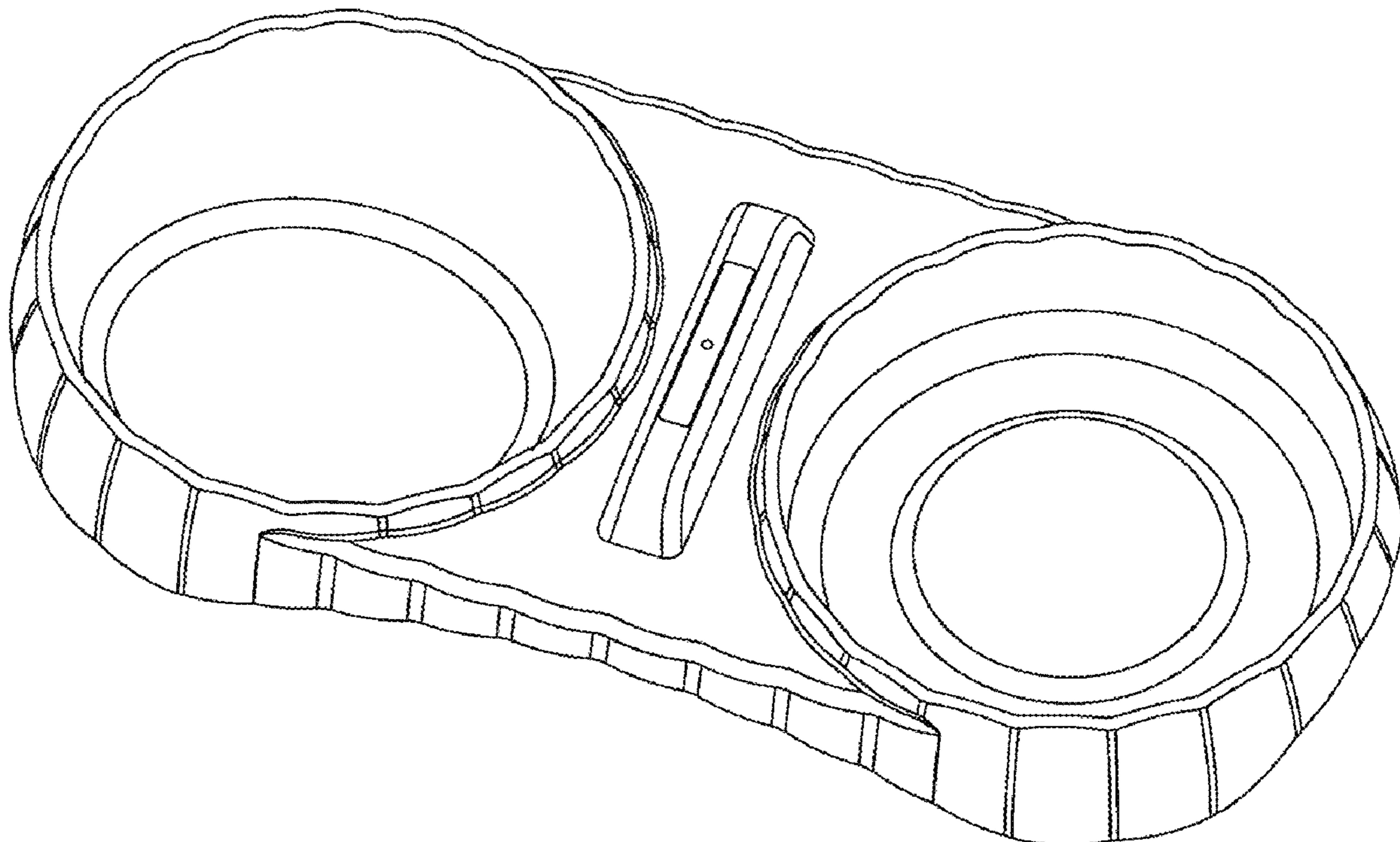
(57) **CLAIM**

The ornamental design for a double feeding basin for pets, as shown and described.

**DESCRIPTION**

FIG. 1 is a top plan view of a double feeding basin for pets, showing my new design;  
FIG. 2 is an enlarged left side view thereof;  
FIG. 3 is an enlarged right side view thereof;  
FIG. 4 is a rear elevation view thereof; and,  
FIG. 5 is a rear, top perspective view thereof.  
The broken lines illustrate portions of the double feeding basin for pets that form no part of the claimed design.

**1 Claim, 5 Drawing Sheets**



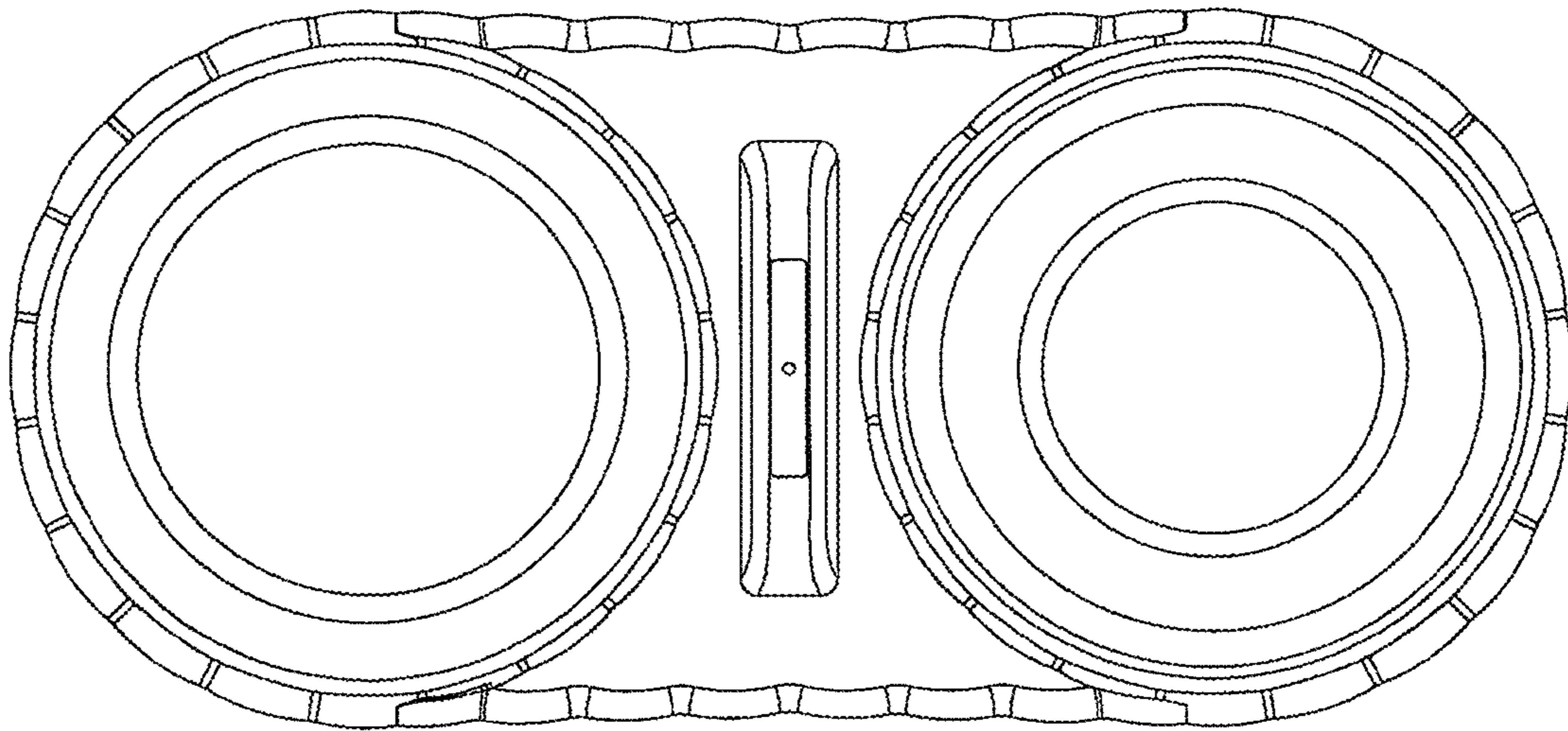


Fig. 1

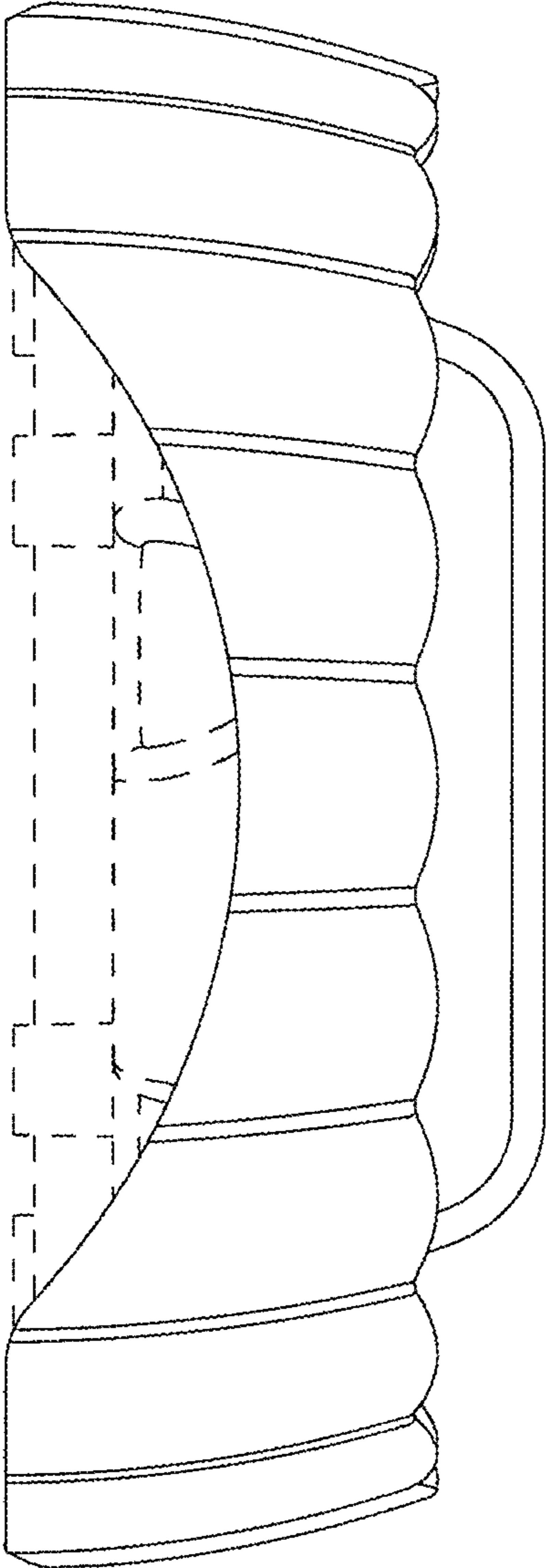


Fig. 2

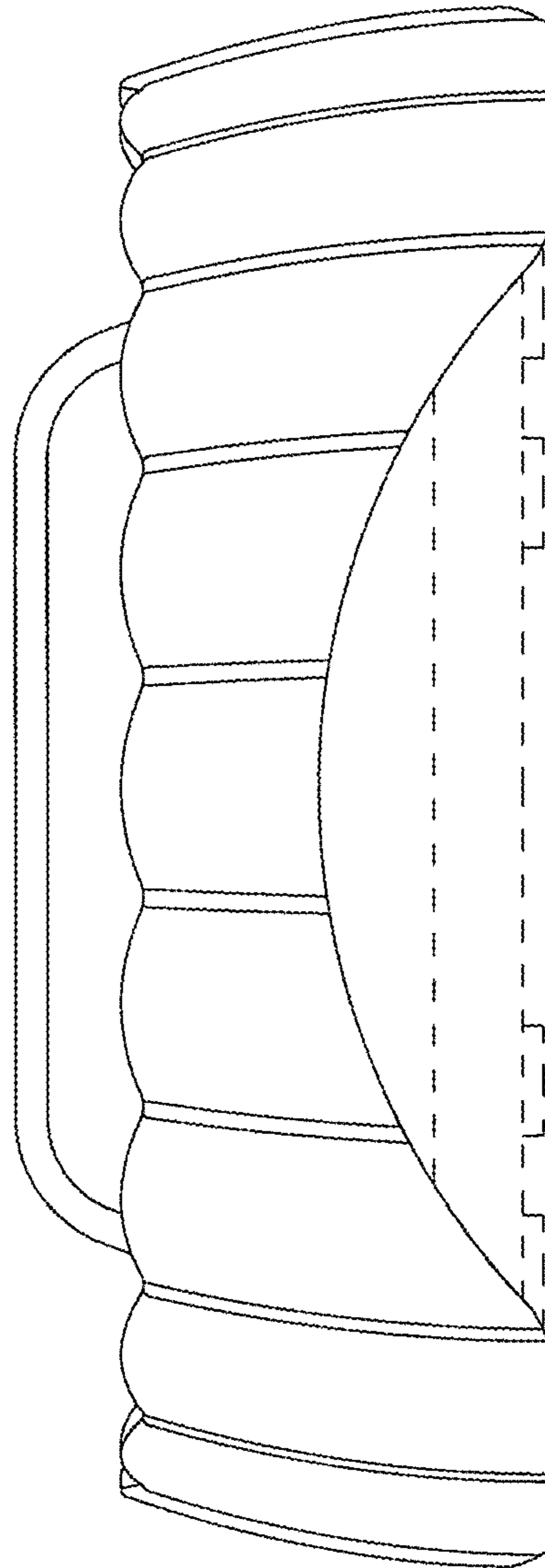


Fig. 3

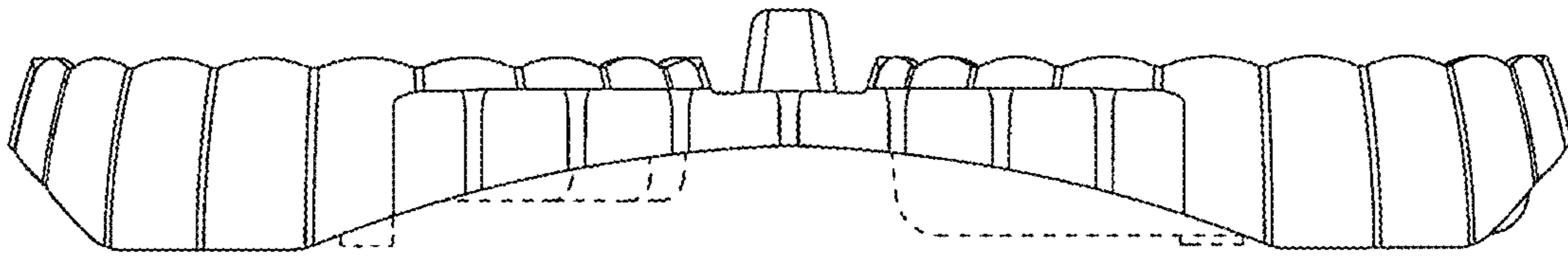


Fig. 4

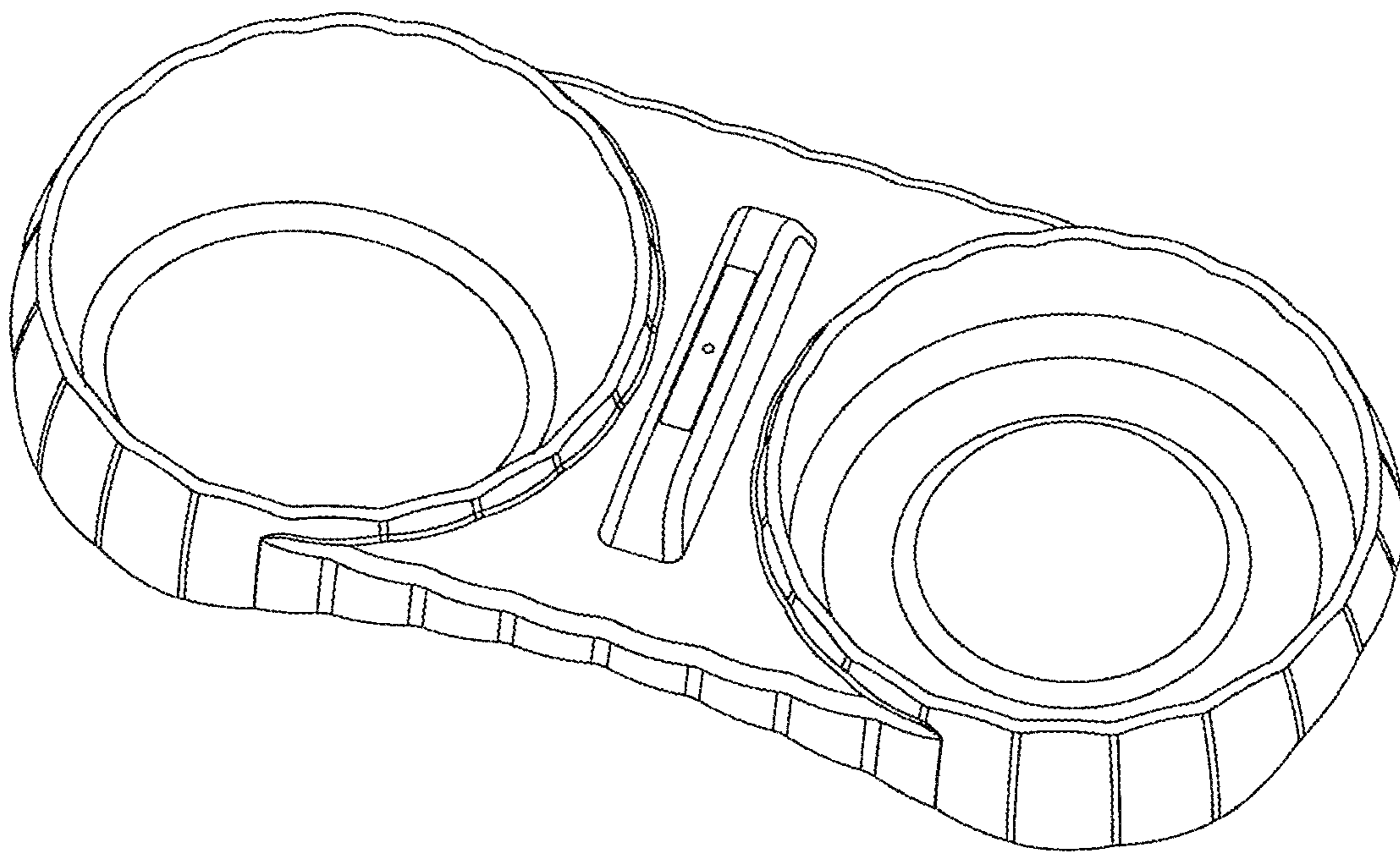


Fig. 5