



US00D891005S

(12) **United States Design Patent**
Liu

(10) **Patent No.:** **US D891,005 S**
(45) **Date of Patent:** **** Jul. 21, 2020**

- (54) **PET BOWL**
- (71) Applicant: **FREE-FREE INDUSTRIAL CORP.**,
Taipei (TW)
- (72) Inventor: **Sheng-Yu Liu**, Taipei (TW)
- (73) Assignee: **FREE-FREE INDUSTRIAL CORP.**,
Taipei (TW)
- (**) Term: **15 Years**
- (21) Appl. No.: **29/636,913**
- (22) Filed: **Feb. 12, 2018**
- (51) **LOC (12) Cl.** **30-03**
- (52) **U.S. Cl.**
USPC **D30/129**
- (58) **Field of Classification Search**
USPC D30/121, 122, 129-133; 119/61.5, 51.01,
119/61.56, 51.03, 59, 62, 63, 51.5, 57.8,
119/74, 61.54, 61.55; 312/204; 248/151,
248/188; 108/156, 153.1-157;
220/23.87, 630, 737, 743, 9.4, 495.01,
220/574, 212, 255, 23.83; 206/515;
D7/586, 543, 550.1, 587, 505, 584, 545,
D7/500, 553.1-553.8, 546, 555, 556, 504,
D7/565, 562, 602; D9/429; 43/109;
D22/122; 99/430, DIG. 15
CPC A01K 5/0114; A01K 5/01; A01K 5/0135;
A01K 7/005; A01K 7/00; A01K 7/02;
A01K 5/0142; A01K 5/0121; A01K
5/0128; A01K 27/004; A01K 39/014;
A01K 39/00; A01K 39/02; A01K
39/0113; A47J 43/0727; A01M 29/34;
B29C 65/48; B65D 81/36
See application file for complete search history.

(56) **References Cited**

U.S. PATENT DOCUMENTS

- 766,427 A * 8/1904 Crowell A47G 19/02
220/575
- D96,018 S * 6/1935 Cannon D14/251

- D144,905 S * 6/1946 Cameron D7/535
- D180,012 S * 4/1957 Bechler D7/505
- 3,611,998 A * 10/1971 Loscalzo A01K 5/0114
119/61.54
- D279,445 S * 7/1985 Jagger D7/558
- D330,785 S * 11/1992 Jordan D30/129
- D439,707 S * 3/2001 Hansen D30/129
- D441,257 S * 5/2001 Indekeu D7/558
- D465,884 S * 11/2002 Ross D30/129
- D467,044 S * 12/2002 Tangolics D30/129
- D471,406 S * 3/2003 Wellner D7/503
- D471,677 S * 3/2003 Northrop D30/129
- D472,021 S * 3/2003 Northrop D30/129
- D473,758 S * 4/2003 Wilson D7/587
- 6,688,485 B1 * 2/2004 Lauer A47G 19/02
220/574
- D495,564 S * 9/2004 Bodum D7/587
- D498,564 S * 11/2004 Northrop D30/121
- D504,196 S * 4/2005 Huthmaker D30/129

(Continued)

Primary Examiner — Susan Moon Lee

(74) *Attorney, Agent, or Firm* — DLA Piper LLP (US)

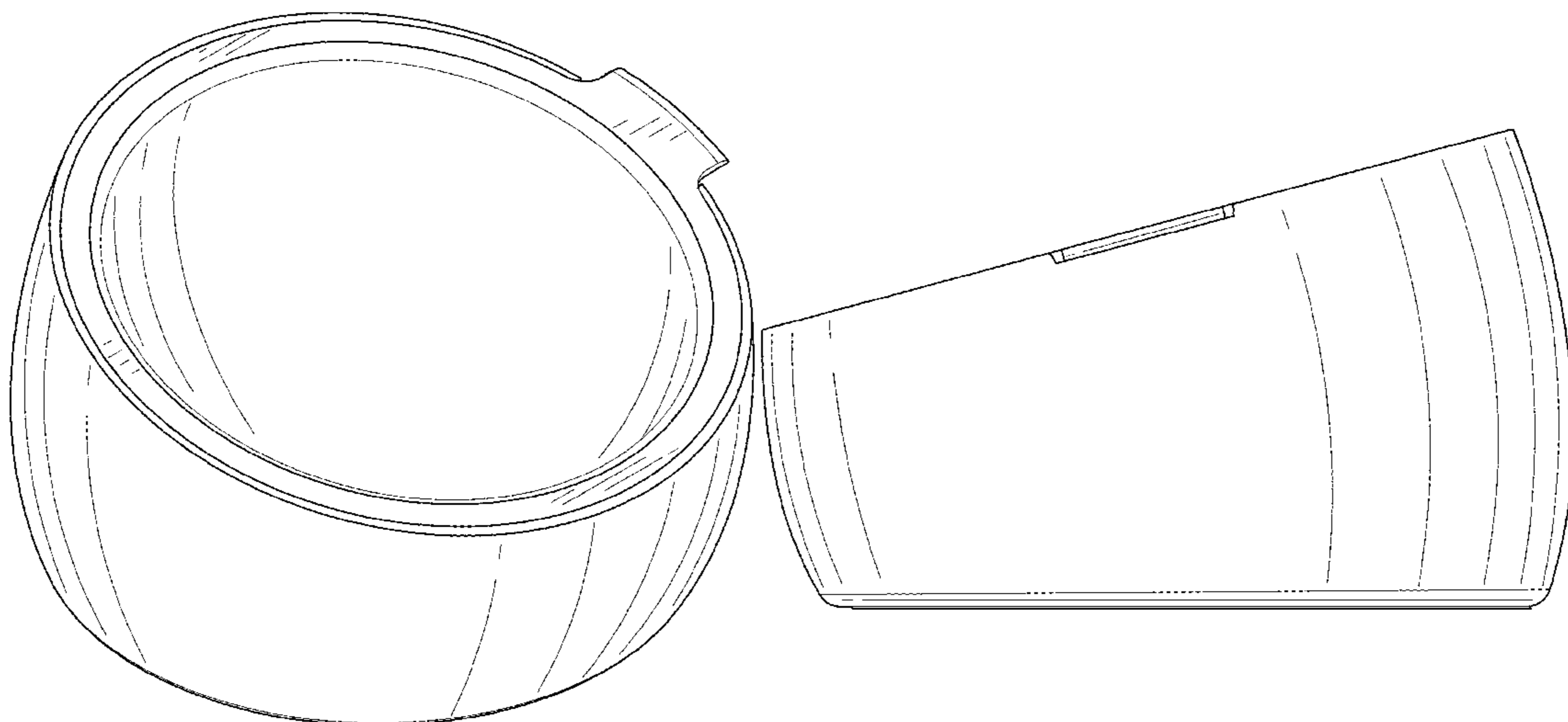
(57) **CLAIM**

I claim the ornamental design for a pet bowl, as shown and described.

DESCRIPTION

FIG. 1 is a perspective view of a pet bowl showing my new design;
 FIG. 2 is a front elevational view thereof;
 FIG. 3 is a rear elevational view thereof;
 FIG. 4 is a left side elevational view thereof;
 FIG. 5 is a right side elevational view thereof;
 FIG. 6 is a top plan view thereof;
 FIG. 7 is a bottom plan view thereof; and,
 FIG. 8 is a sectional view of the pet bowl taken along line VIII-VIII, as indicated in FIG. 6.

1 Claim, 8 Drawing Sheets



(56)

References Cited

U.S. PATENT DOCUMENTS

D506,644 S * 6/2005 Poupel D11/152
 6,912,970 B2 * 7/2005 Sage, Jr. A01K 5/0114
 119/61.5
 D516,025 S * 2/2006 Quinn D13/108
 7,156,250 B2 * 1/2007 Tillmann A47D 13/02
 220/9.2
 D538,431 S * 3/2007 Botha D24/155
 D539,093 S * 3/2007 Robinson D7/545
 D540,291 S * 4/2007 Heath D14/137
 D540,623 S * 4/2007 Schreiber-Pethan D7/584
 D547,615 S * 7/2007 Wasserman D7/542
 D548,014 S * 8/2007 Kell D7/584
 D553,122 S * 10/2007 Solland D14/217
 D554,108 S * 10/2007 Solland D14/217
 D563,606 S * 3/2008 Hood D30/129
 D564,138 S * 3/2008 Dunn D30/129
 D564,828 S * 3/2008 Solis D7/360
 D564,844 S * 3/2008 Schreiber-Pethan D7/586
 D566,697 S * 4/2008 Nielsen D14/224
 D586,611 S * 2/2009 Solis D7/354

D587,063 S * 2/2009 Solis D7/361
 D592,813 S * 5/2009 Newsome D30/129
 D595,907 S * 7/2009 Rutherford D30/119
 D607,616 S * 1/2010 Newsome D30/129
 D613,999 S * 4/2010 Sierra D7/587
 7,789,041 B1 * 9/2010 Taylor A01K 5/0114
 119/51.01
 D626,791 S * 11/2010 Sierra D7/587
 D646,852 S * 10/2011 Chance D30/129
 D647,502 S * 10/2011 Holzer D14/168
 D670,041 S * 10/2012 Chance D30/129
 D676,710 S * 2/2013 Kwok D7/544
 D685,608 S * 7/2013 Bangert D7/509
 D758,674 S * 6/2016 Youn D30/129
 D777,992 S * 1/2017 Tsengas D30/129
 D781,109 S * 3/2017 Rubino D7/587
 9,723,812 B2 * 8/2017 Jones F16M 11/041
 D814,878 S * 4/2018 Hong D7/603
 D830,646 S * 10/2018 Kerr D30/129
 D844,589 S * 4/2019 Yang D14/230
 D872,380 S * 1/2020 Liu D30/129
 2005/0039690 A1 * 2/2005 Sage, Jr. A01K 7/00
 119/61.5

* cited by examiner

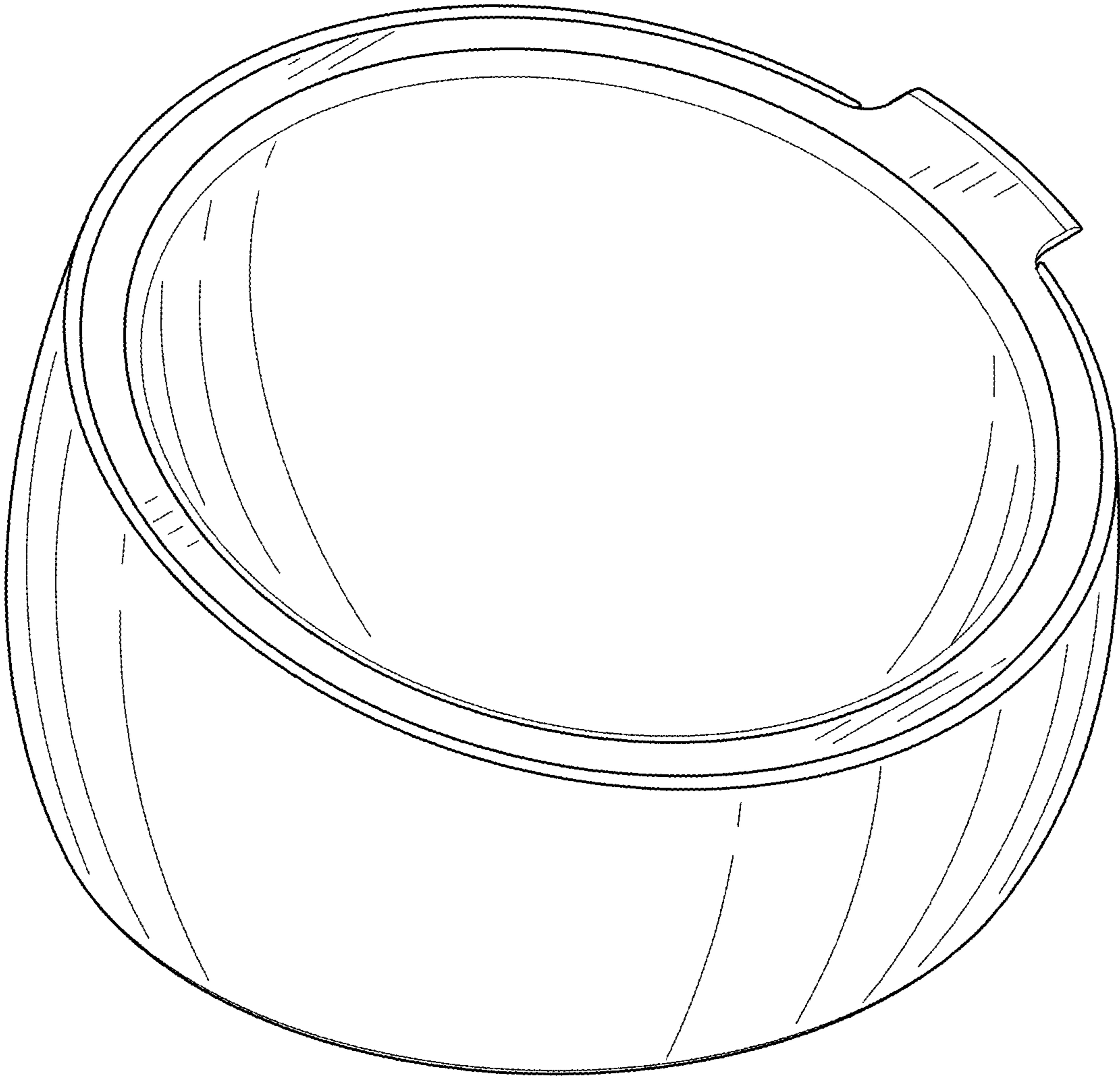


FIG. 1

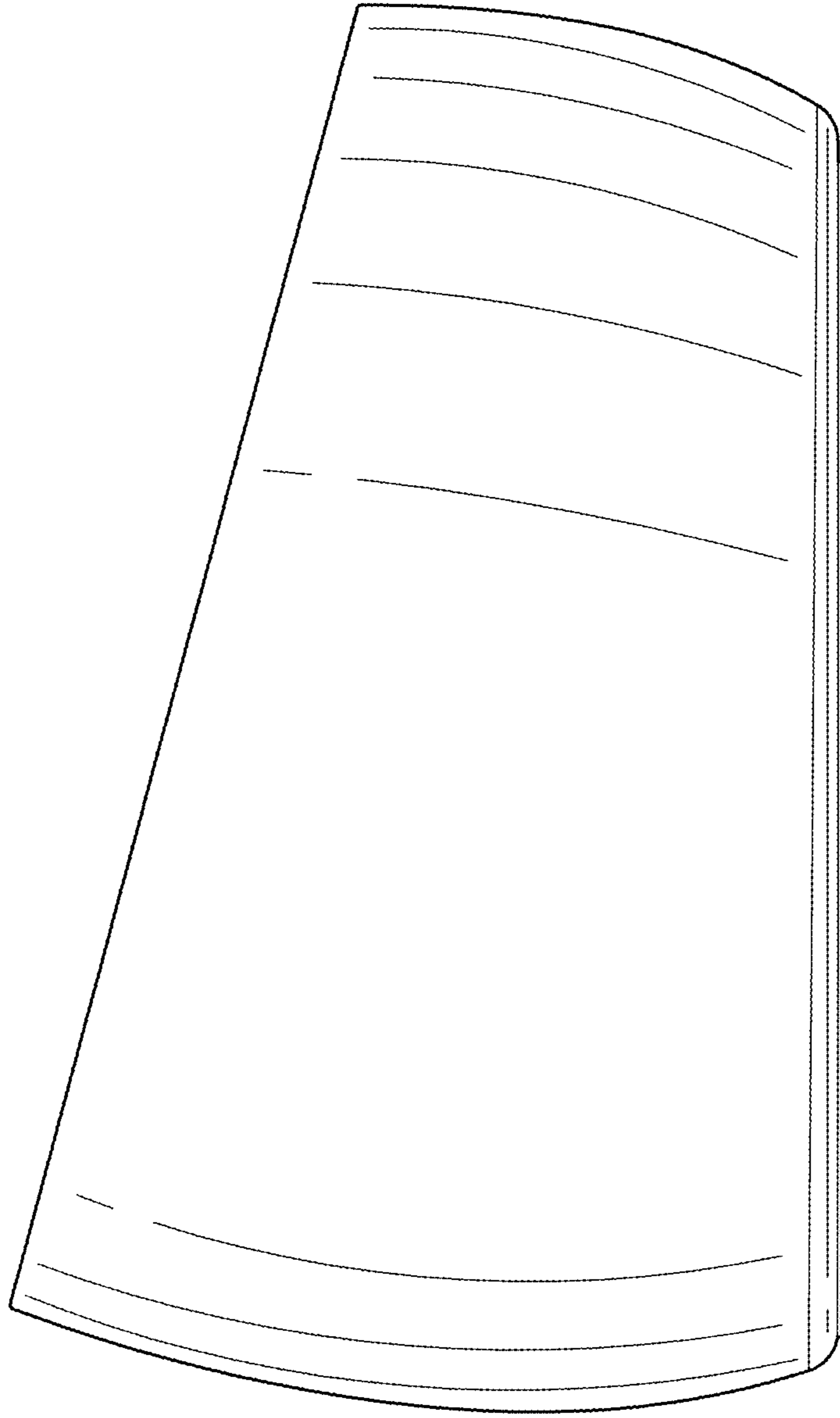


FIG. 2

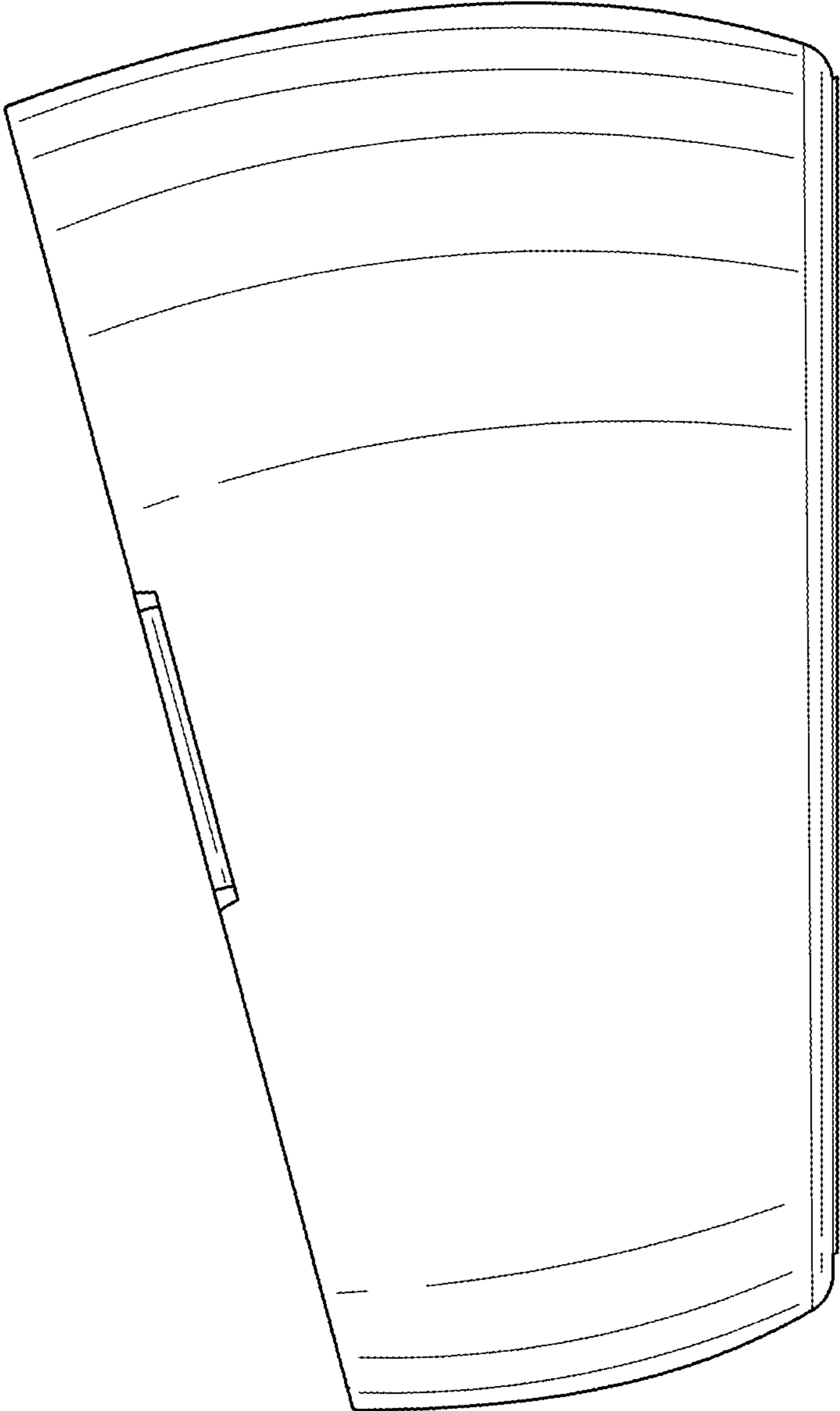


FIG.3

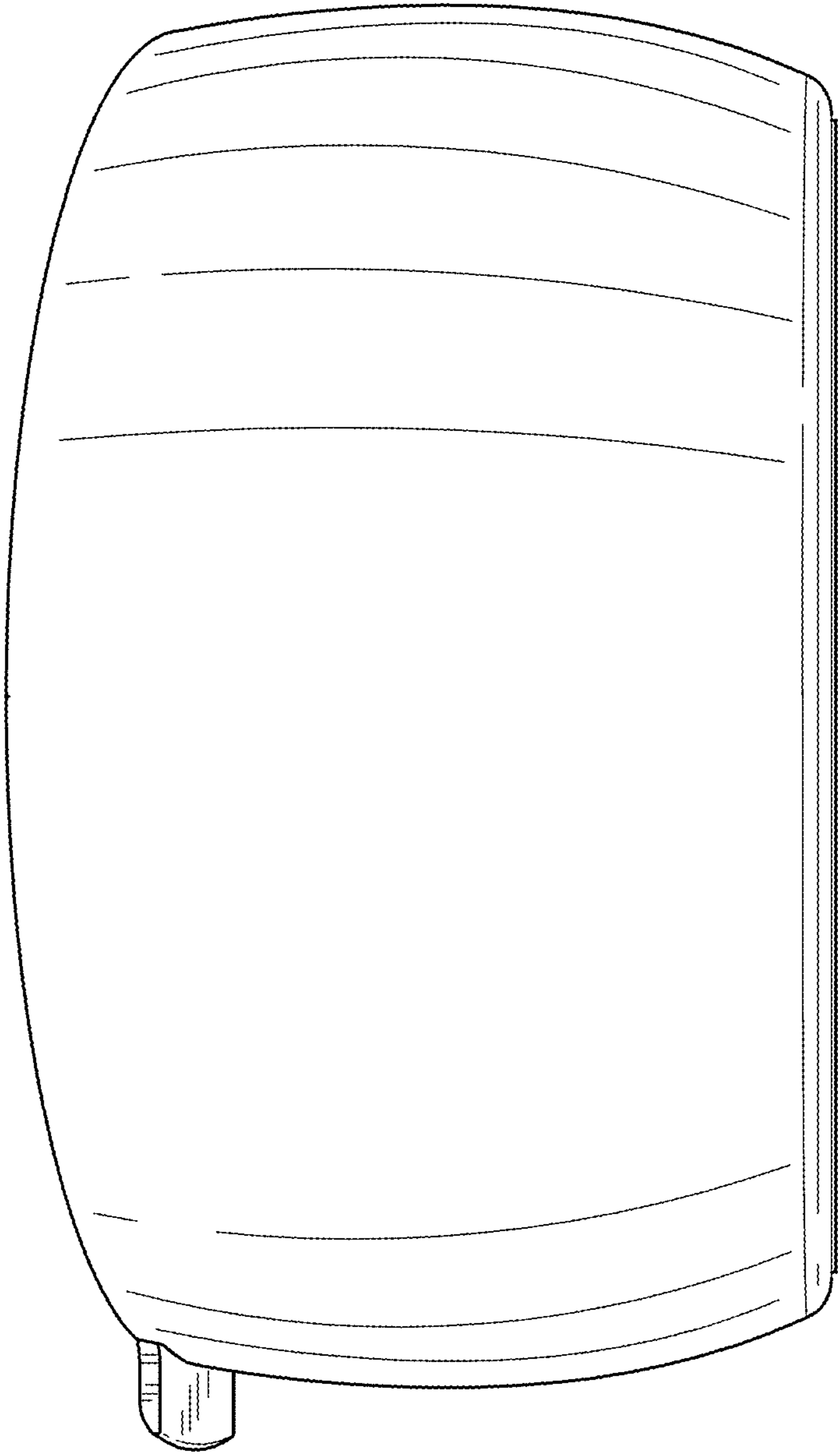


FIG.4

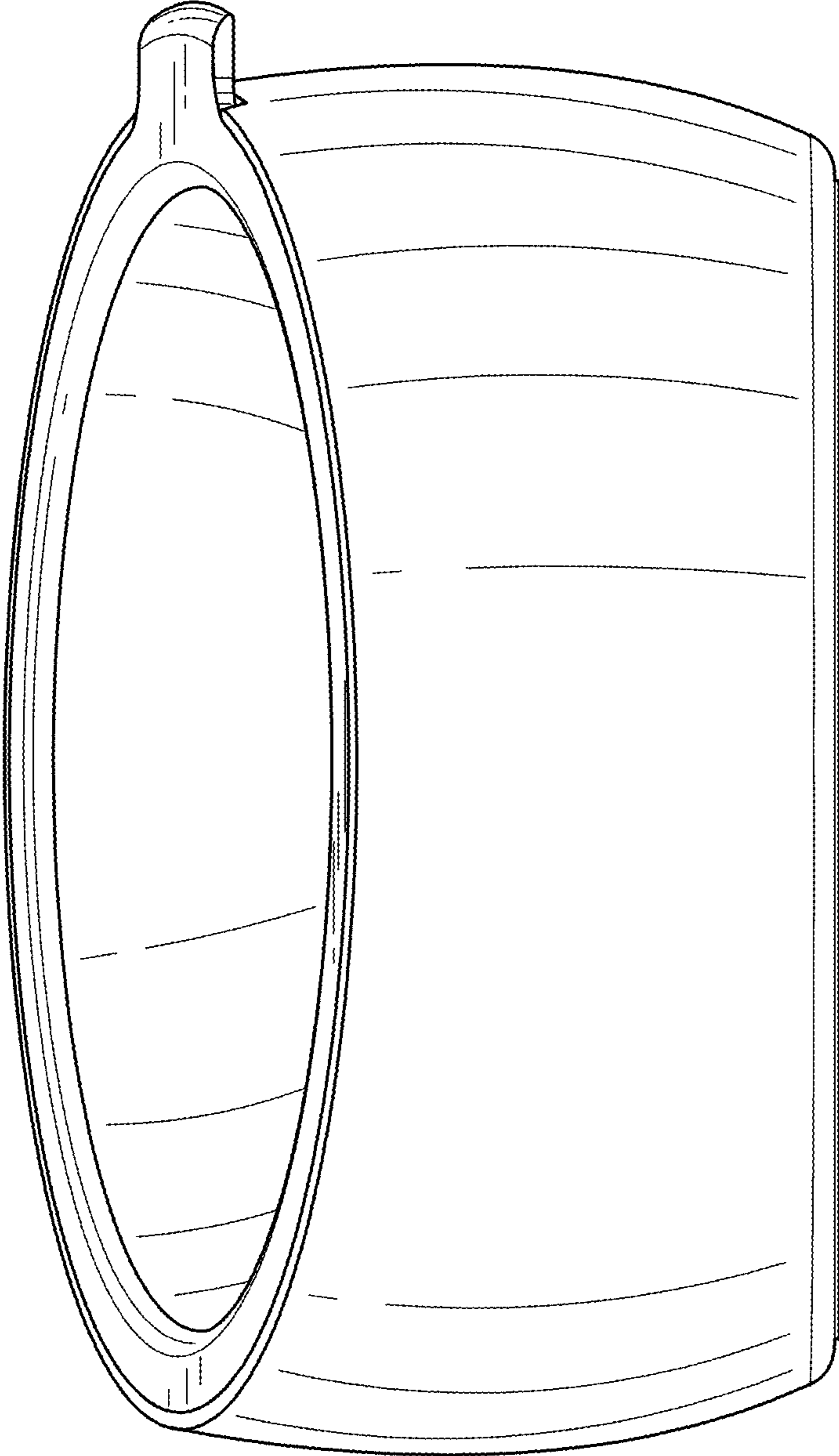


FIG.5

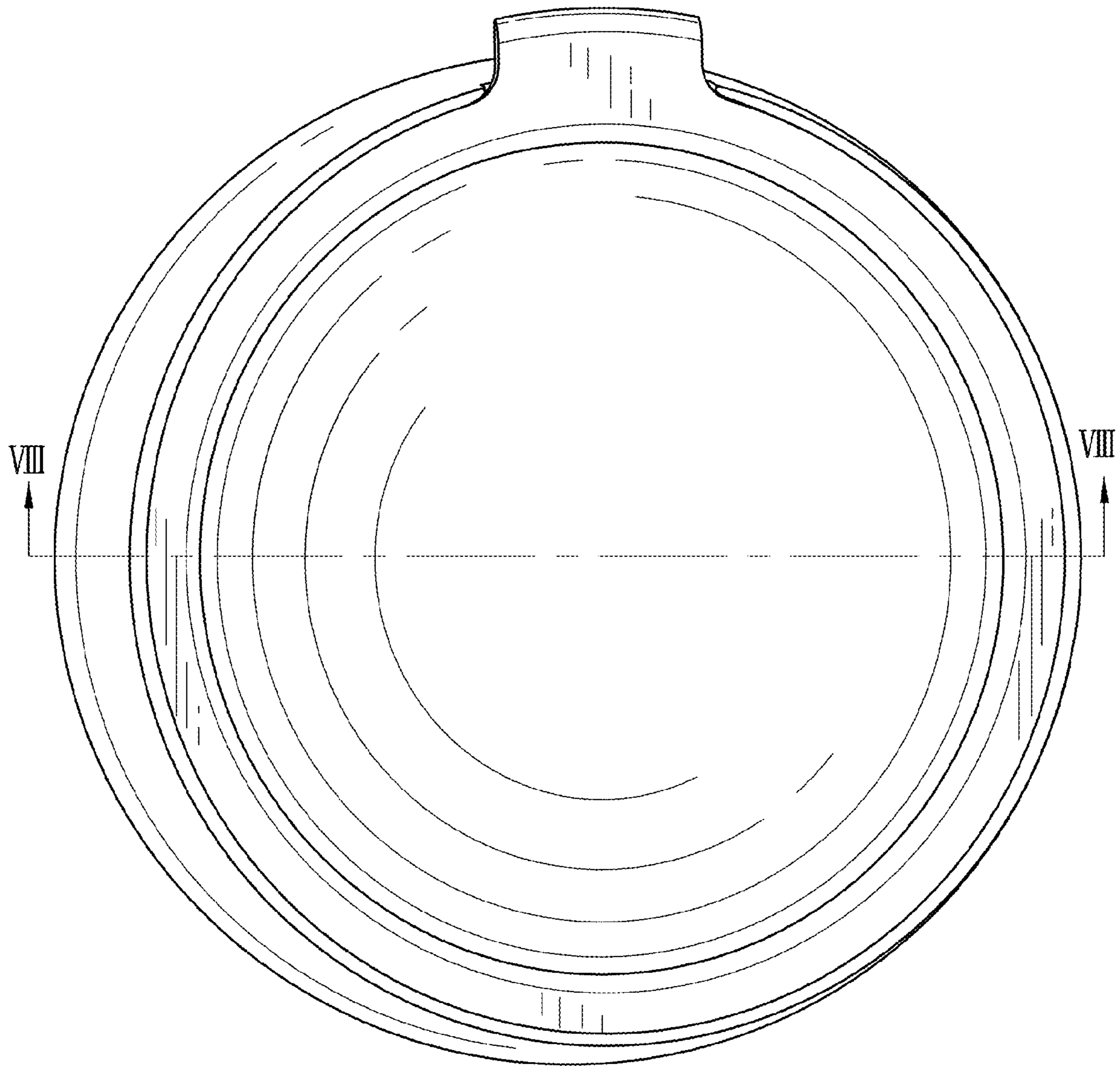


FIG.6

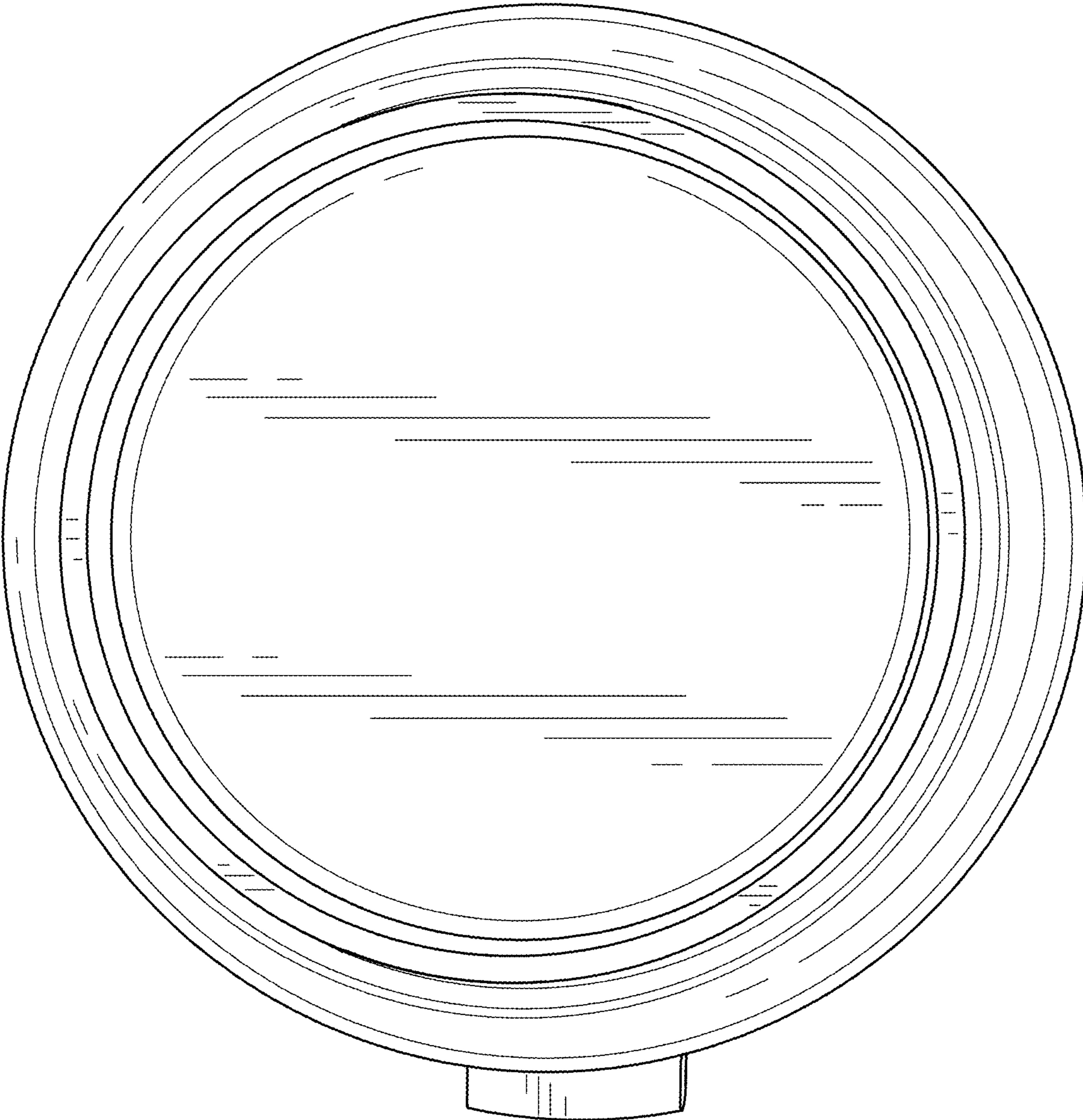


FIG. 7

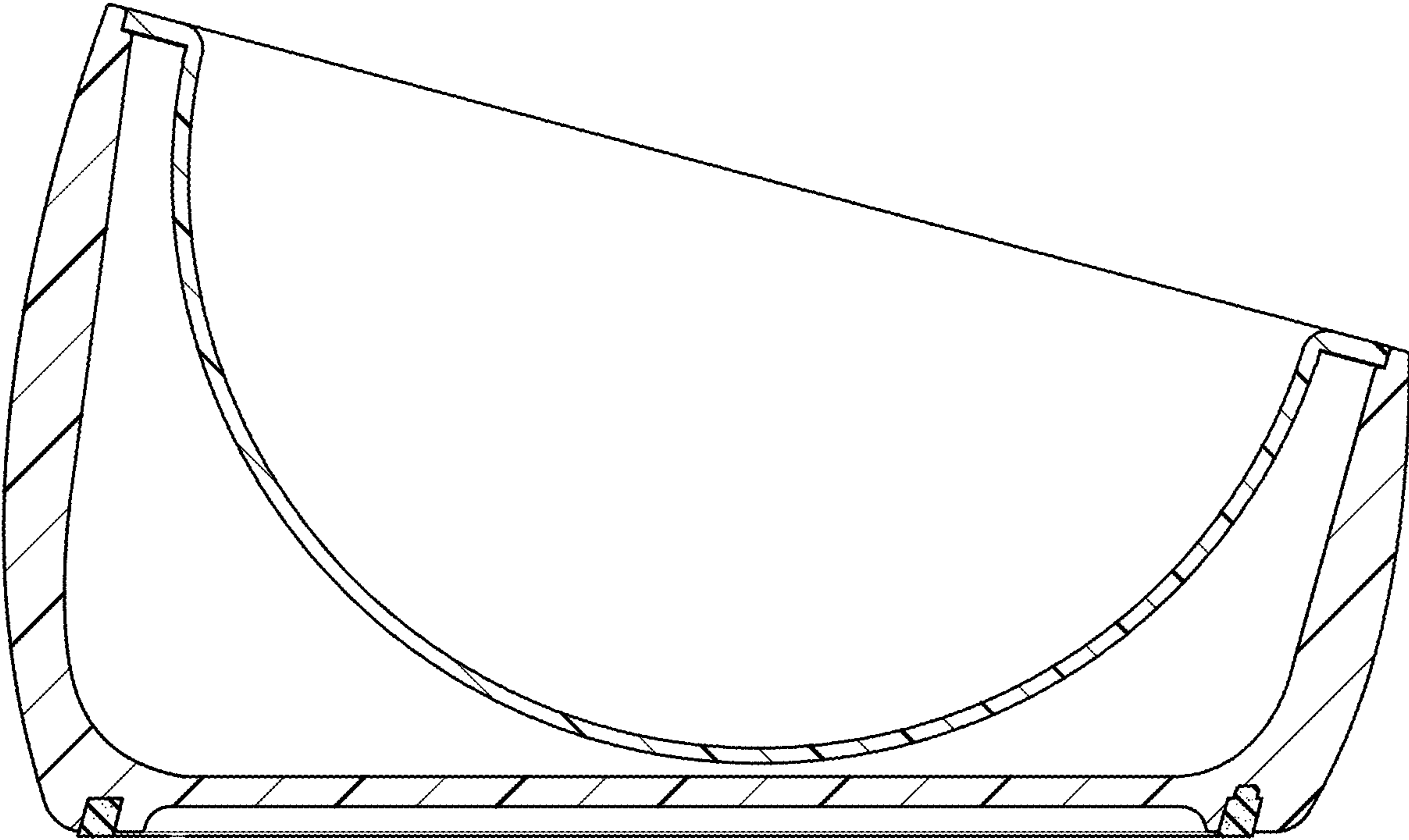


FIG.8