



US00D891004S

(12) **United States Design Patent** (10) **Patent No.:** **US D891,004 S**
Park (45) **Date of Patent:** **** Jul. 21, 2020**

(54) **PET FEEDER**

(71) Applicant: **Amy Park**, Seoul (KR)

(72) Inventor: **Amy Park**, Seoul (KR)

(**) Term: **15 Years**

(21) Appl. No.: **29/696,268**

(22) Filed: **Jun. 26, 2019**

(30) **Foreign Application Priority Data**

Dec. 26, 2018 (KR) 30-2018-0061433

(51) **LOC (12) Cl.** **30-07**

(52) **U.S. Cl.**
USPC **D30/122**

(58) **Field of Classification Search**

USPC D30/121, 122, 129-133, 120; 119/61.5,
119/51.01, 61.56, 51.03, 59, 62, 63, 51.5,
119/57.8, 74, 61.54, 61.55, 53, 53.5, 75,
119/56.2, 51.02, 51.11, 51.12, 57.1, 52.1,
119/515; 312/204; 248/151, 188;
108/156, 153.1-157; 220/23.87, 630,
220/737, 743, 9.4, 495.01, 574, 212, 255,
220/23.83; 206/515; D7/586, 543,
D7/550.1, 587, 505, 584, 545, 500,
D7/553.1-553.8, 546, 555, 556, 504, 565,
D7/562, 602, 605, 312, 313, 320, 307,
D7/306, 309, 354, 311, 399, 397, 323,
D7/332, 331, 347, 346, 322, 318, 317,
D7/316, 619.1; D9/429; 43/109;
D22/122; 99/430, DIG. 15, 280, 285,
99/312; 222/209, 131, 363, 349, 517,
222/153.13, 401, 1, 146.5, 23, 54, 64, 51,
222/156, 399, 400.8; 219/438, 439, 441,
219/385, 386, 402, 407; 210/94, 184,
210/474, 477

CPC A01K 5/02; A01K 5/0225; A01K 5/0114;
A01K 5/025; A01K 5/0266; A01K
5/0275; A01K 5/0283; A01K 5/0291;
A01K 5/0258; A01K 5/0142; A01K

5/0233; A01K 29/00; A01K 7/00; G01F
11/24; G01F 23/02; B67D 1/0425; B67D
1/04; B67D 1/00; B67D 1/02; B67D
1/0871; B67D 1/0802; A47J 41/0033;
A47J 41/005; A47J 41/0088; A47J
41/0094; A47J 31/04; A47J 31/053; B05B
11/00; B05B 11/0002; B05B 11/0005;
B05B 11/001; C02F 1/003; C02F 1/283;
C02F 2307/02

See application file for complete search history.

(56) **References Cited**

U.S. PATENT DOCUMENTS

867,621 A * 10/1907 Tannehill A01K 39/026
119/77
2,533,578 A * 12/1950 Gomersall A47J 31/4457
220/663
3,217,923 A * 11/1965 Price A47J 31/4457
220/663

(Continued)

Primary Examiner — Susan Moon Lee

(74) *Attorney, Agent, or Firm* — Paratus Law Group,
PLLC

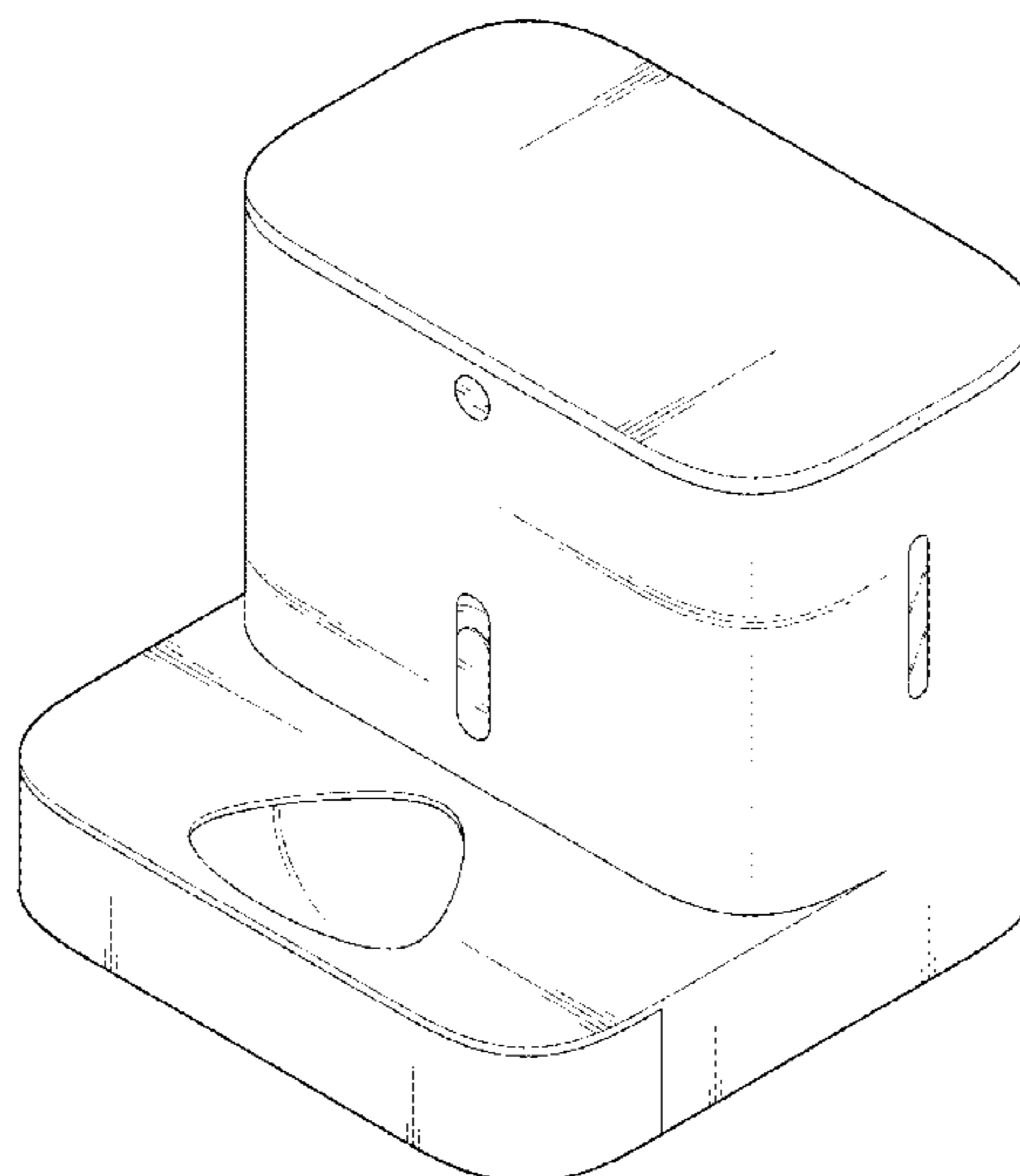
(57) **CLAIM**

The ornamental design for a pet feeder, as shown and
described.

DESCRIPTION

FIG. 1 is a front, top and right perspective view of a pet
feeder showing the claimed design;
FIG. 2 is a front view thereof;
FIG. 3 is a back view thereof;
FIG. 4 is a left side view thereof;
FIG. 5 is a right side view thereof;
FIG. 6 is a top view thereof;
FIG. 7 is a bottom view thereof; and,
FIG. 8 is a rear, bottom, and left perspective view thereof.

1 Claim, 8 Drawing Sheets



US D891,004 S

(56)

References Cited

U.S. PATENT DOCUMENTS

3,340,851 A * 9/1967 Frank A01K 5/0291
119/51.13

3,720,184 A * 3/1973 Pearce A01K 5/0225
119/51.5

3,754,527 A * 8/1973 Jenkins A01K 5/0291
119/51.14

3,985,104 A * 10/1976 Klemer A01K 5/0291
119/51.12

4,034,715 A * 7/1977 Arner A01K 5/0114
119/51.5

4,079,699 A * 3/1978 Longmore A01K 5/0291
119/51.11

4,279,221 A * 7/1981 Arvizu A01K 5/0291
119/51.11

4,281,624 A * 8/1981 Raines A01K 5/0225
119/52.1

4,485,765 A * 12/1984 Schwartz A01K 5/0291
119/51.13

4,721,063 A * 1/1988 Atchley A01K 5/0114
119/52.1

4,735,171 A * 4/1988 Essex A01K 5/0291
119/51.12

4,840,143 A * 6/1989 Simon A01K 5/0225
119/52.1

5,230,300 A * 7/1993 Mezinsky A01K 5/0291
119/51.11

5,239,943 A * 8/1993 Kim A01K 5/0291
119/51.12

D351,689 S * 10/1994 VanSkiver D30/121

D364,942 S * 12/1995 VanSkiver D30/121

5,809,934 A * 9/1998 Gavet A01K 7/02
119/52.1

5,845,600 A * 12/1998 Mendes A01K 7/02
119/51.5

6,044,795 A * 4/2000 Matsuura A01K 5/02
119/51.02

D431,145 S * 9/2000 Woebcke D7/306

6,142,099 A * 11/2000 Lange, Jr. A01K 5/0142
119/51.5

6,487,987 B1 * 12/2002 Choi A01K 5/0291
119/51.11

6,651,592 B2 * 11/2003 Maddox A01K 5/0114
119/712

6,763,962 B1 * 7/2004 Wang B29C 37/0078
220/62.12

6,863,025 B2 * 3/2005 Ness A01K 7/02
119/51.5

7,146,930 B1 * 12/2006 Ness A01K 7/02
119/77

7,228,816 B2 * 6/2007 Turner A01K 5/0114
119/51.02

7,426,901 B2 * 9/2008 Turner A01K 5/0114
119/51.02

7,895,973 B1 * 3/2011 Whelan A01K 5/025
119/51.02

7,913,647 B1 * 3/2011 Martin A01K 7/04
119/52.1

D637,769 S * 5/2011 Weber D30/121

8,161,911 B2 * 4/2012 Jalbert A01K 1/0107
119/501

8,166,922 B2 * 5/2012 Jalbert A01K 1/0107
119/501

8,578,882 B2 * 11/2013 Araujo A01K 5/02
119/51.01

D699,400 S * 2/2014 Itzhak-Sigron D30/121

8,701,595 B2 * 4/2014 Jin A01K 5/0291
119/51.01

9,137,967 B2 * 9/2015 Lathim A01K 5/0225

9,198,398 B2 * 12/2015 Rogers A01K 7/06

D751,774 S * 3/2016 Allen D30/122

9,345,231 B2 * 5/2016 Jalbert A01K 5/0114

D759,905 S * 6/2016 Stewart D30/122

9,374,981 B2 * 6/2016 Powers A01K 5/0225

9,414,568 B2 * 8/2016 Veness A01K 5/0114

9,750,229 B2 * 9/2017 Stewart A01K 5/0275

D806,958 S * 1/2018 Maloney D30/122

10,098,321 B2 * 10/2018 McKay A01K 7/00

D835,356 S * 12/2018 Xie D30/122

D836,850 S * 12/2018 Li D30/122

D840,115 S * 2/2019 Nieves D30/122

D843,665 S * 3/2019 Zeng D30/122

D844,258 S * 3/2019 Xu D30/122

D846,815 S * 4/2019 Darkwah D30/132

D852,431 S * 6/2019 Ma D30/122

D876,022 S * 2/2020 Hua D30/122

D876,023 S * 2/2020 Eom D30/122

D877,424 S * 3/2020 Xu D30/122

2006/0196433 A1 * 9/2006 Ness A01K 5/0114
119/52.1

2007/0193524 A1 * 8/2007 Turner A01K 5/02
119/51.02

2011/0146580 A1 * 6/2011 Jalbert A01K 5/0142
119/51.02

2013/0092090 A1 * 4/2013 McCallum A01K 1/0356
119/74

2013/0213308 A1 * 8/2013 Koskey, Jr. A01K 7/027
119/74

2013/0298839 A1 * 11/2013 Richards C02F 1/008
119/75

2013/0333622 A1 * 12/2013 Jin A01K 5/0291
119/51.01

2014/0277701 A1 * 9/2014 Martin A01K 5/0114
700/231

2014/0305970 A1 * 10/2014 Musumeci B65D 33/04
222/228

2015/0068463 A1 * 3/2015 Worry A01K 5/0291
119/57.1

2015/0143750 A1 * 5/2015 Jalbert A01K 5/0291
49/25

2015/0145644 A1 * 5/2015 Jalbert A01K 5/0142
340/5.61

2015/0164044 A1 * 6/2015 Powers A01K 5/0114
119/61.5

2016/0286755 A1 * 10/2016 Feng A01K 5/0291

2017/0099804 A1 * 4/2017 Chang H04Q 9/00

2017/0202178 A1 * 7/2017 Gordon A01K 5/0142

2018/0192614 A1 * 7/2018 Chen A01K 29/005

2019/0029221 A1 * 1/2019 Anderton A01K 5/0233

2019/0029222 A1 * 1/2019 Anderton A01K 5/0275

2019/0053463 A1 * 2/2019 Hill A01K 1/035

2019/0059322 A1 * 2/2019 Xu A01K 7/02

2019/0343073 A1 * 11/2019 Oates A01K 5/0291

2020/0037577 A1 * 2/2020 Dzamba A01K 5/0291

2020/0037579 A1 * 2/2020 Eom A01K 5/0142

2020/0100459 A1 * 4/2020 Chen A01K 5/0275

2020/0100460 A1 * 4/2020 Chen A01K 5/0225

* cited by examiner

FIG. 1

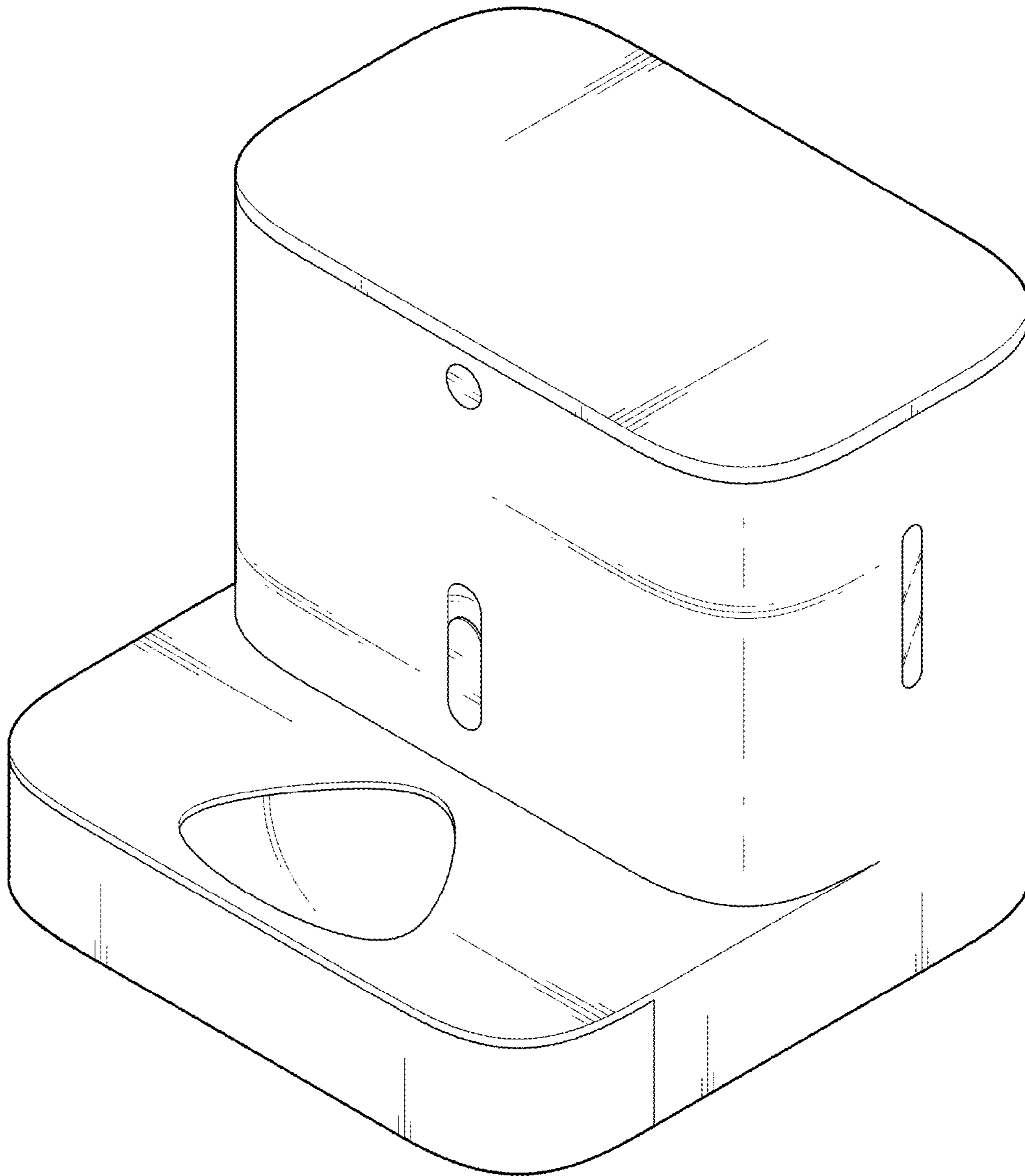


FIG. 2

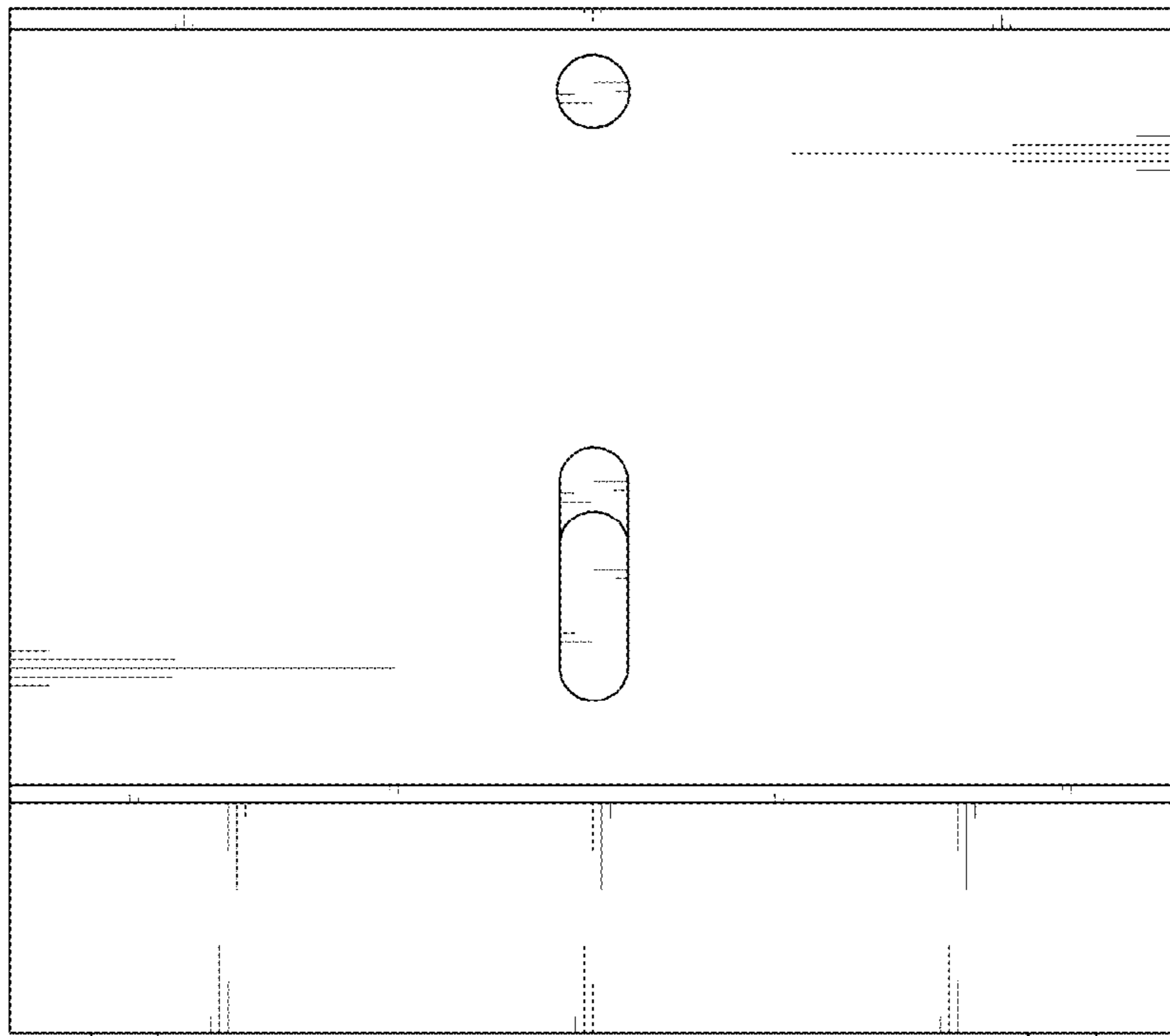


FIG. 3

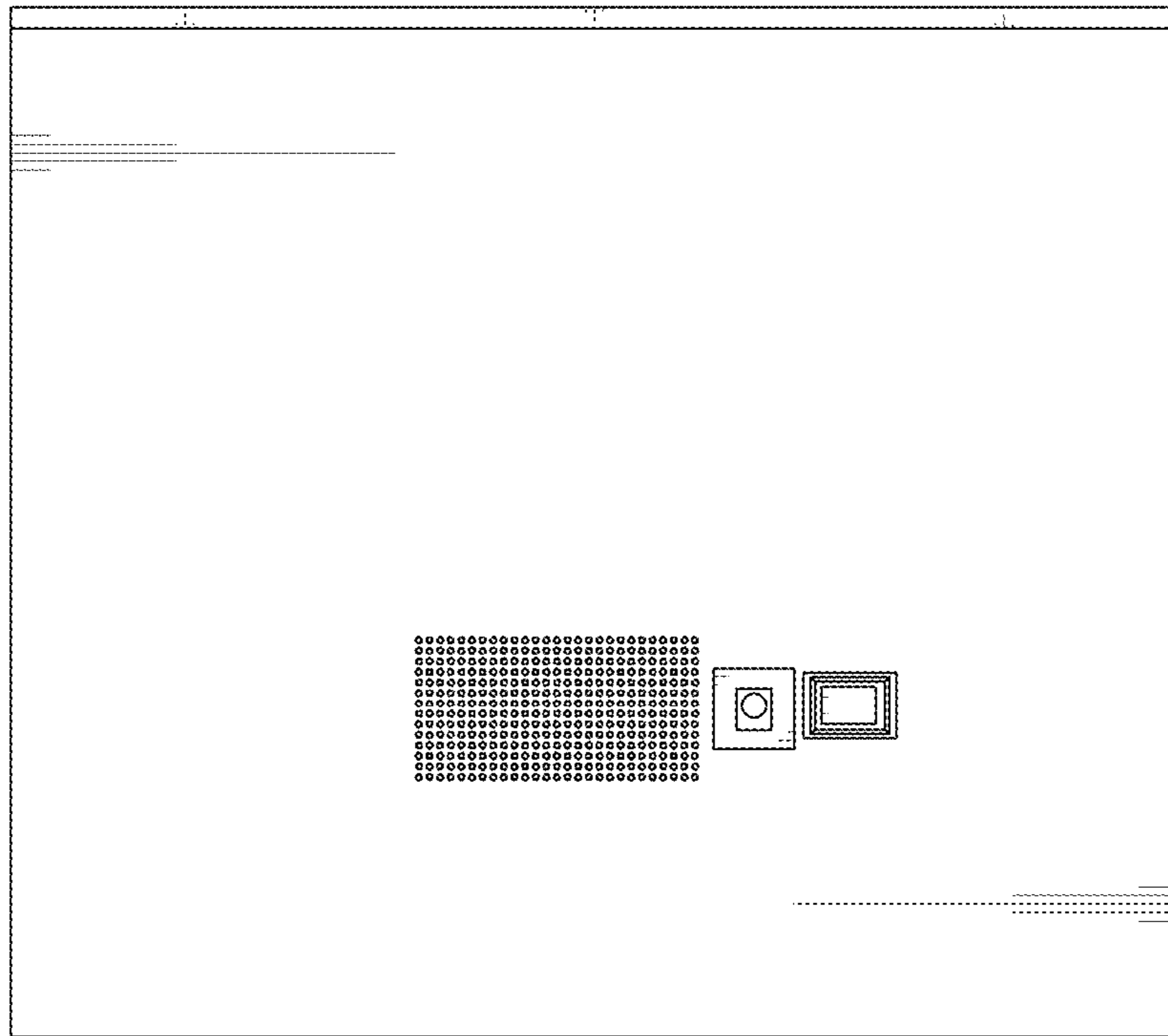


FIG. 4

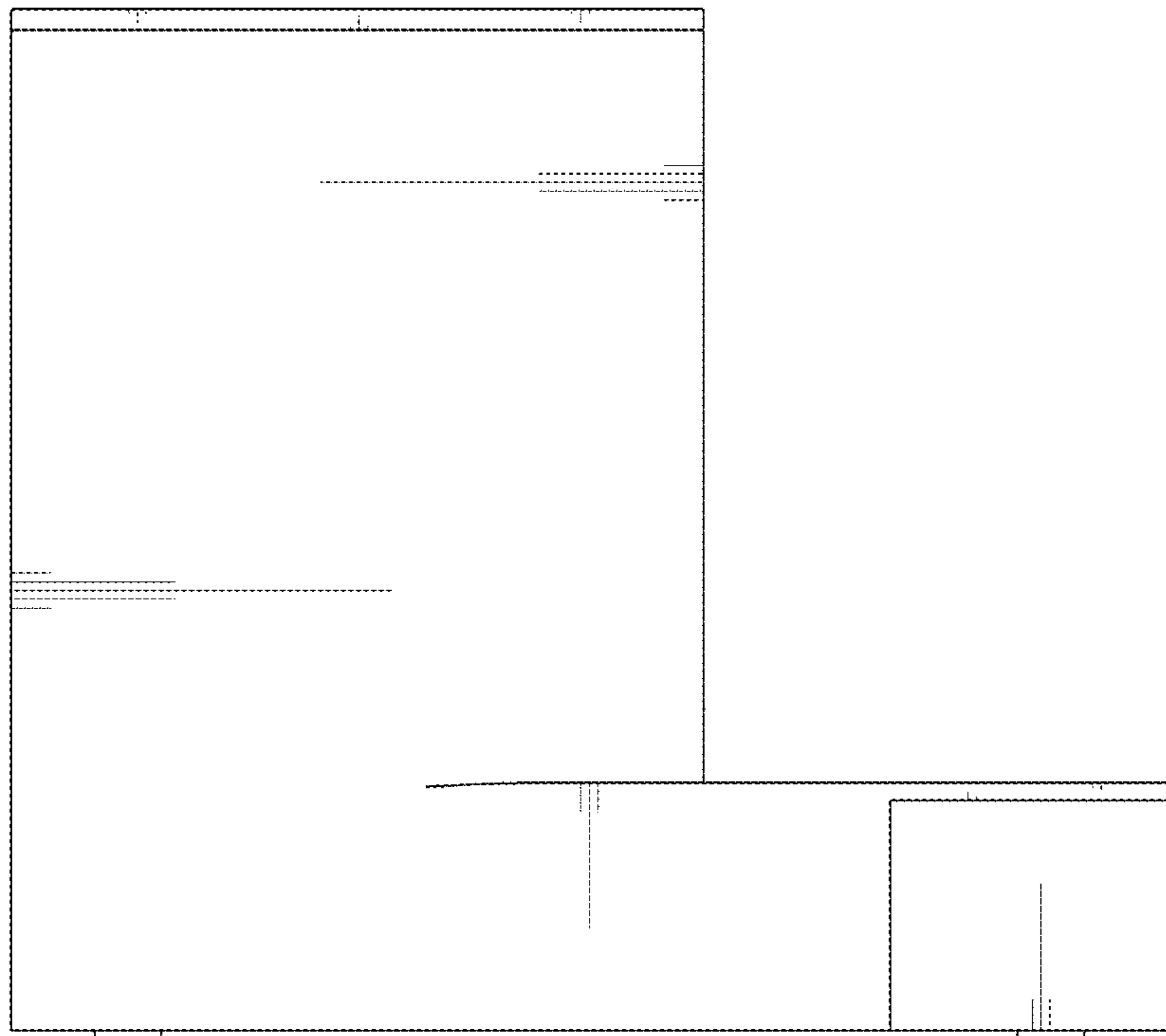


FIG. 5

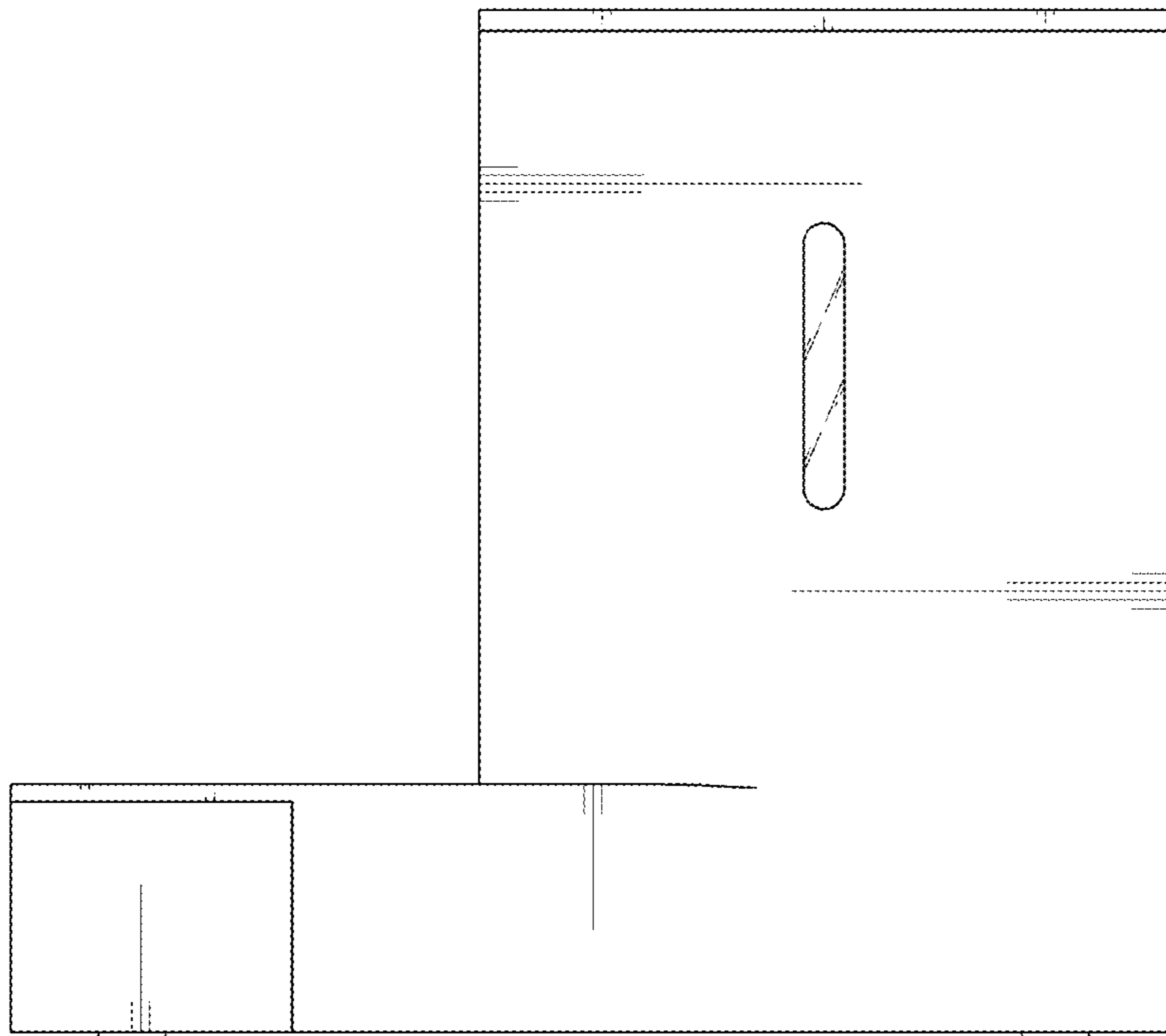


FIG. 6

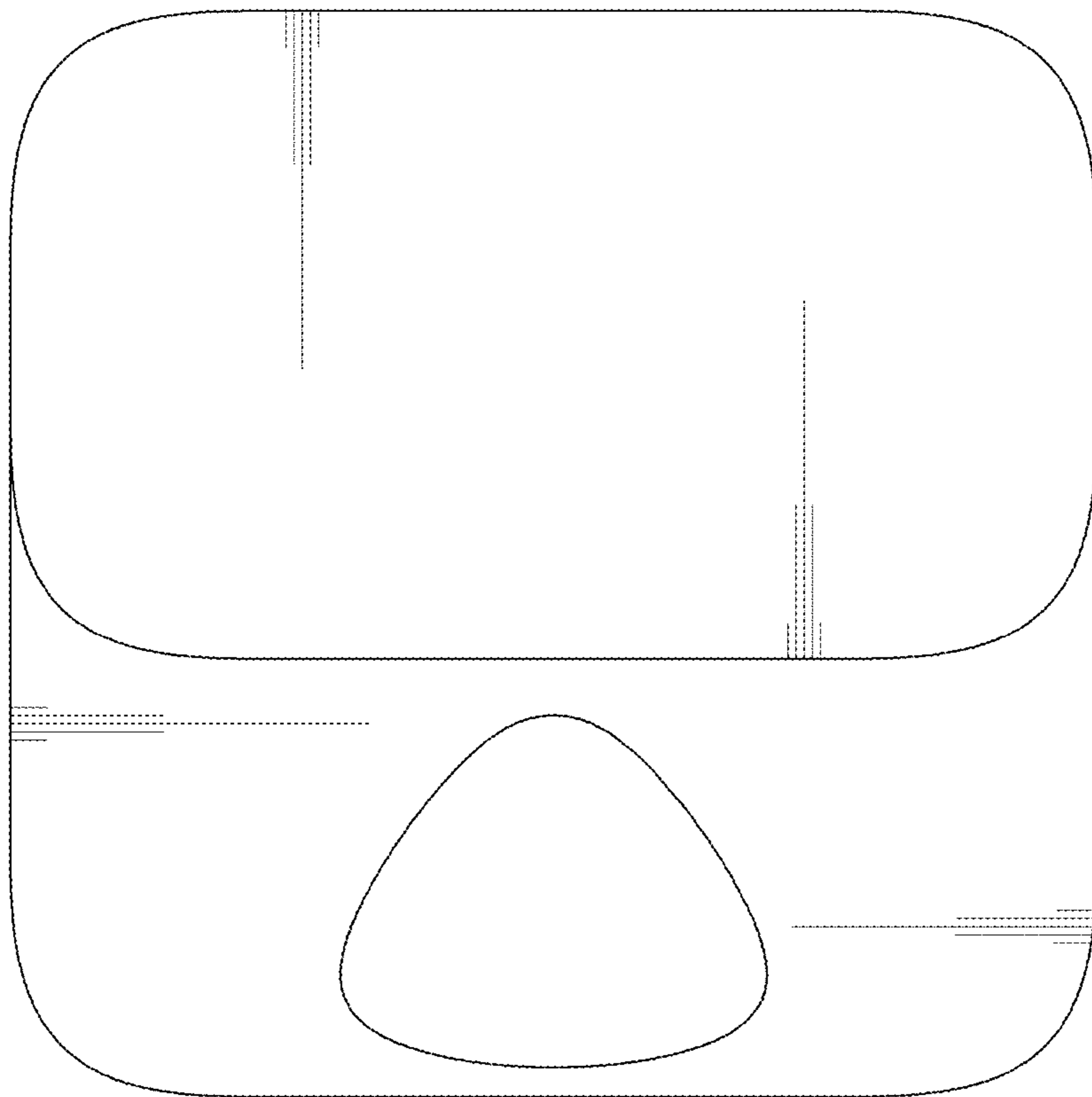


FIG. 7

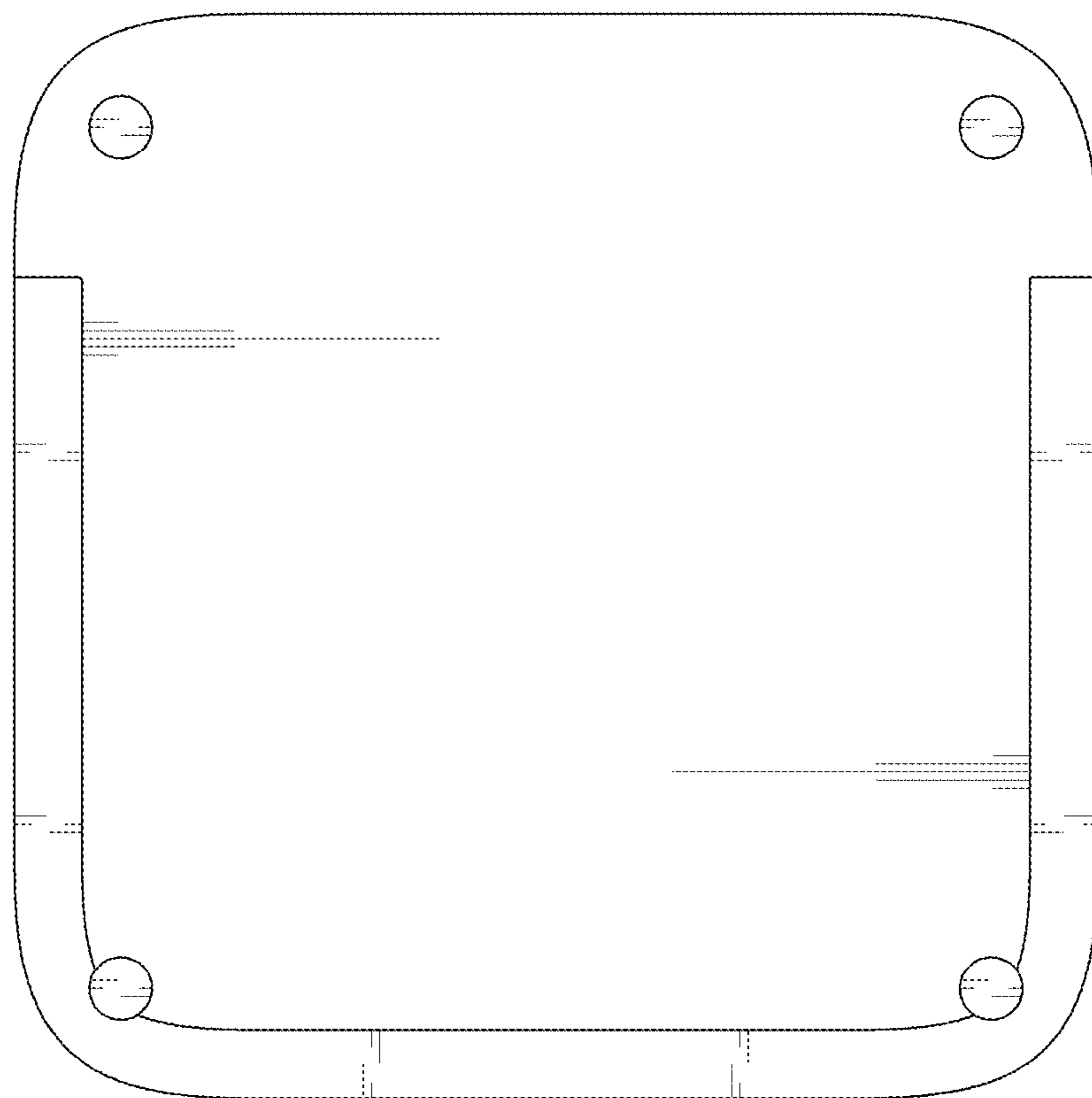


FIG. 8

