



US00D891003S

(12) **United States Design Patent**
Gates

(10) **Patent No.:** **US D891,003 S**
(45) **Date of Patent:** **** Jul. 21, 2020**

(54) **CONVERSION SYSTEM**

(71) Applicant: **All Seasons Feeders, Ltd.**

(72) Inventor: **William Zachary Gates**, San Antonio, TX (US)

(**) Term: **15 Years**

(21) Appl. No.: **29/677,266**

(22) Filed: **Jan. 18, 2019**

(51) **LOC (12) Cl.** **30-03**

(52) **U.S. Cl.**
USPC **D30/121**

(58) **Field of Classification Search**
USPC D30/133, 121, 122, 124, 127, 128, 132, D30/131, 114, 119; 119/51.01, 61, 51.04, 119/53, 57.91, 54, 53.5, 52.4, 51.11, 63, 119/61.2, 52.1, 57.5, 57.6, 51.13, 62, 75, 119/500, 501, 521, 57.92, 59, 51.12, 57.1, 119/56.1, 57; 239/7, 687, 379, 397.5; 222/199, 181.1, 181.2, 185.1, 557, 156, 222/485, 486, 548, 555; 220/200, 227, 220/247, 262; 221/174, 185.1, 289, 295, 221/296, 559; 454/35; 209/270, 283, 209/244; 52/194, 192; 49/279, 344, 357; D34/28

CPC A01K 5/0225; A01K 5/00; A01K 5/02; A01K 5/01; A01K 5/0291; A01K 5/0266; A01K 5/0275; A01K 5/0283; A01K 39/00; A01K 39/01; A01K 39/0113; A01K 39/012; A01K 39/0125; A01K 39/014; B28C 7/0046; B65D 90/14; B65D 88/52; B65D 88/30; A01C 17/005; A01C 17/006; Y10T 74/19721; Y10T 74/2063

See application file for complete search history.

2,750,707 A * 6/1956 Ekstedt A01M 1/2011 43/131

2,869,638 A * 1/1959 Sullivan A01K 5/0291 222/650

2,873,936 A * 2/1959 Baur F16M 11/22 248/180.1

3,195,508 A * 7/1965 Lehman A01K 5/0291 119/51.11

3,645,422 A * 2/1972 Cretors A47J 37/047 222/169

3,717,127 A * 2/1973 Porterfield A01K 5/0258 119/57.7

3,730,142 A * 5/1973 Kahrs A01K 61/80 119/54

3,780,701 A * 12/1973 Wentworth, Sr. A01K 5/0233 119/51.01

(Continued)

Primary Examiner — Susan Moon Lee
(74) *Attorney, Agent, or Firm* — Braxton Perrone, PLLC; Bobby W. Braxton; Gregory Perrone

(57) **CLAIM**

The ornamental design for a conversion system, as shown and described.

DESCRIPTION

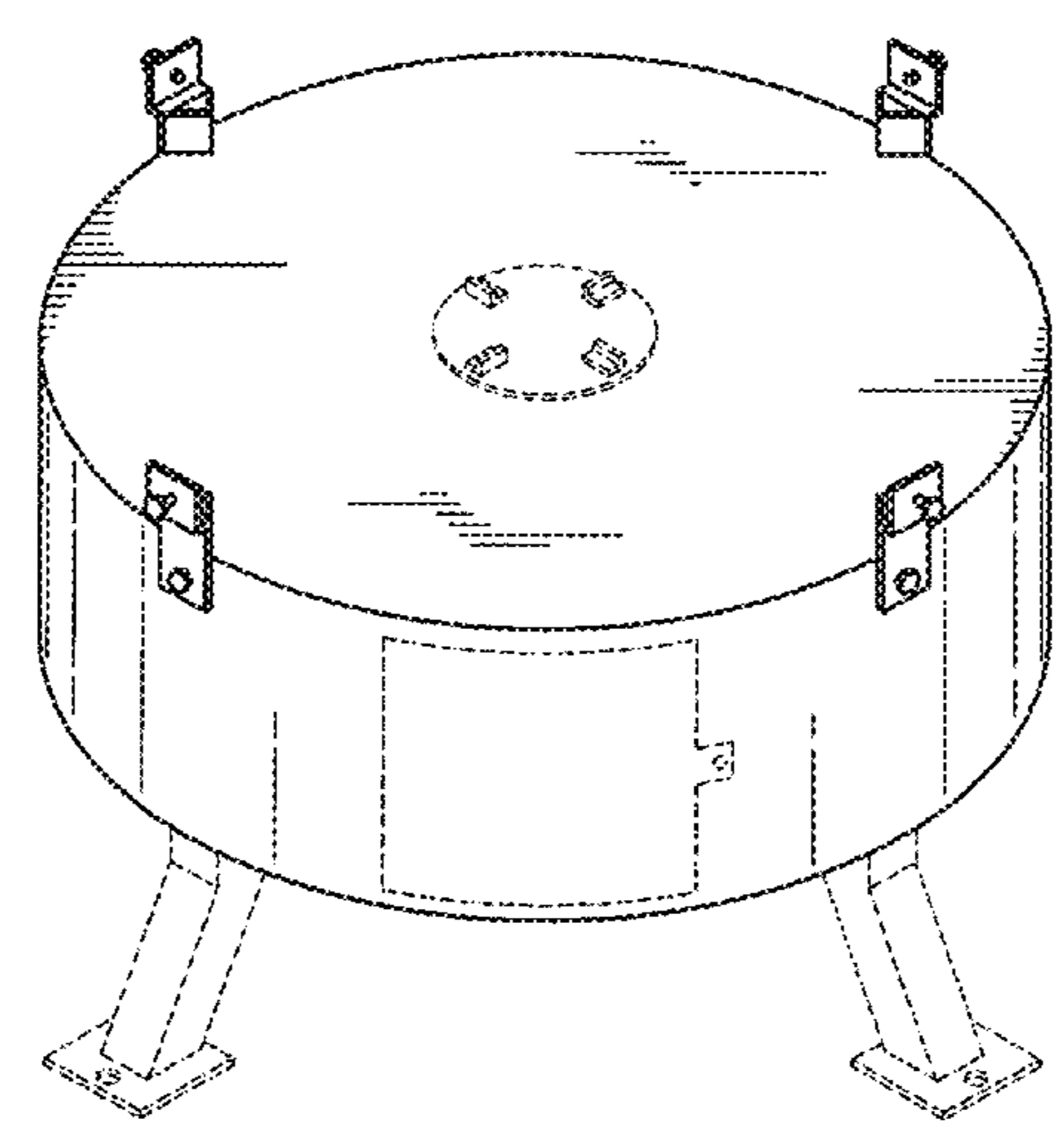
FIG. 1 is a perspective view of the conversion system; FIG. 2 is a top plan view of the conversion system; FIG. 3 is a bottom plan view of the conversion system; FIG. 4 is a front elevation view of the conversion system; FIG. 5 is a rear elevation view of the conversion system; FIG. 6 is a right side view of the conversion system; FIG. 7 is a left side view of the conversion system; and, FIG. 8 is a perspective view of the conversion system. The broken line in FIGS. 1-8 are for illustrative purposes only and forms no part of the claimed design.

1 Claim, 6 Drawing Sheets

(56) **References Cited**
U.S. PATENT DOCUMENTS

1,786,777 A * 12/1930 Pfeiffer A01K 5/015 119/51.03

2,042,455 A * 6/1936 Barrott G01F 11/10 222/454



US D891,003 S

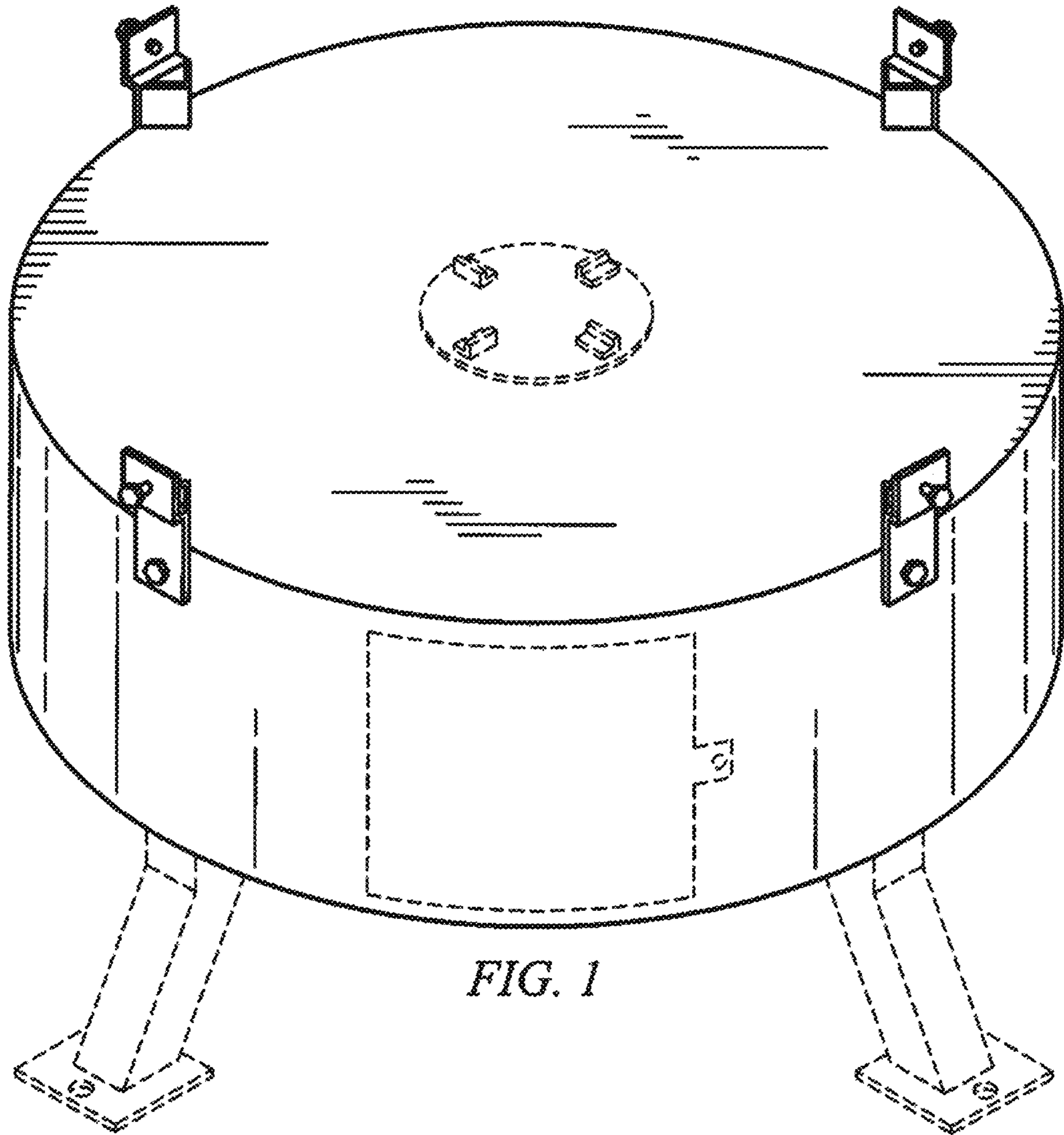
(56)

References Cited

U.S. PATENT DOCUMENTS

3,900,007	A *	8/1975	Smith	A01K 5/0291	119/51.13	6,691,640	B1 *	2/2004	Huckabee	A01K 5/0225	119/51.01
4,208,829	A *	6/1980	Manning	A01M 25/004	43/131	D507,079	S *	7/2005	Drum	119/57.91	
4,421,059	A *	12/1983	Cousino	A01K 5/0291	119/51.12	6,920,842	B1 *	7/2005	Davis	A01K 5/0225	119/52.4
4,538,548	A *	9/1985	Page	A01K 5/0225	119/52.1	7,178,481	B1 *	2/2007	Friesenhahn, Jr. ..	A01K 5/0225	119/57.91
4,993,365	A *	2/1991	Weerstra	A01K 9/00	119/51.02	7,523,717	B2 *	4/2009	Nicholes	A01K 5/0225	119/51.01
5,046,989	A *	9/1991	Dass	G07D 1/00	194/344	D604,017	S *	11/2009	Meritt	A01K 1/10	D30/121
5,259,533	A *	11/1993	Kornfein	A01K 5/0291	222/170	7,780,027	B2 *	8/2010	Coady	A01K 5/0225	119/51.03
5,339,996	A *	8/1994	Dubbert	B28C 7/0046	182/186.6	7,798,098	B1 *	9/2010	Patterson	A01K 5/0225	119/51.11
5,370,080	A *	12/1994	Koepp	A01K 5/0291	119/51.11	7,896,195	B2 *	3/2011	Limback	B01F 1/0022	221/265
5,397,033	A *	3/1995	Blomquist	B65D 83/04	119/53	8,096,265	B1 *	1/2012	Wisecarver	A01K 5/0225	119/56.1
5,606,934	A *	3/1997	Brisby	A01K 5/0216	119/51.5	D665,684	S *	8/2012	Nagai	D10/94	
5,636,470	A *	6/1997	Blomquist	A01K 5/0225	222/521	D682,484	S *	5/2013	Selman	D30/121	
5,697,327	A *	12/1997	Pollock	A01K 5/0258	119/57.4	8,490,324	B2 *	7/2013	Highet	A01M 25/004	43/131
5,862,777	A *	1/1999	Sweeney	A01K 5/0241	119/57.91	D691,770	S *	10/2013	Woller	D30/121	
5,908,007	A *	6/1999	Duin	A01K 5/0291	119/51.11	8,555,812	B2 *	10/2013	Nowacek	A01K 5/02	119/51.02
6,111,206	A *	8/2000	Maguire	G01F 11/18	177/116	D735,420	S *	7/2015	Plant	D30/121	
6,176,774	B1 *	1/2001	Filiberti	G01G 19/42	177/245	D739,093	S *	9/2015	Bogart	D30/121	
6,273,026	B1 *	8/2001	Ferster	A01K 29/005	119/421	9,161,514	B2 *	10/2015	Baxter	A01K 5/0291	
6,622,653	B1 *	9/2003	Starnes, Jr.	A01K 5/01	119/51.01	9,504,244	B2 *	11/2016	Highet	A01M 25/004	
D486,946	S *	2/2004	Castro	D30/121		2003/0019437	A1 *	1/2003	Fore	A01K 5/02	119/57.92
6,684,812	B1 *	2/2004	Tucker	A01K 5/02	119/51.01	2007/0039552	A1 *	2/2007	Nicholes	A01K 5/0225	119/51.11
						2008/0115730	A1 *	5/2008	Gray	A01K 5/0225	119/55
						2008/0190370	A1 *	8/2008	Coady	A01K 5/0225	119/52.1
						2013/0186342	A1 *	7/2013	Salinas	A01K 5/0291	119/51.11
						2014/0174368	A1 *	6/2014	Salinas	A01K 5/0291	119/51.11

* cited by examiner



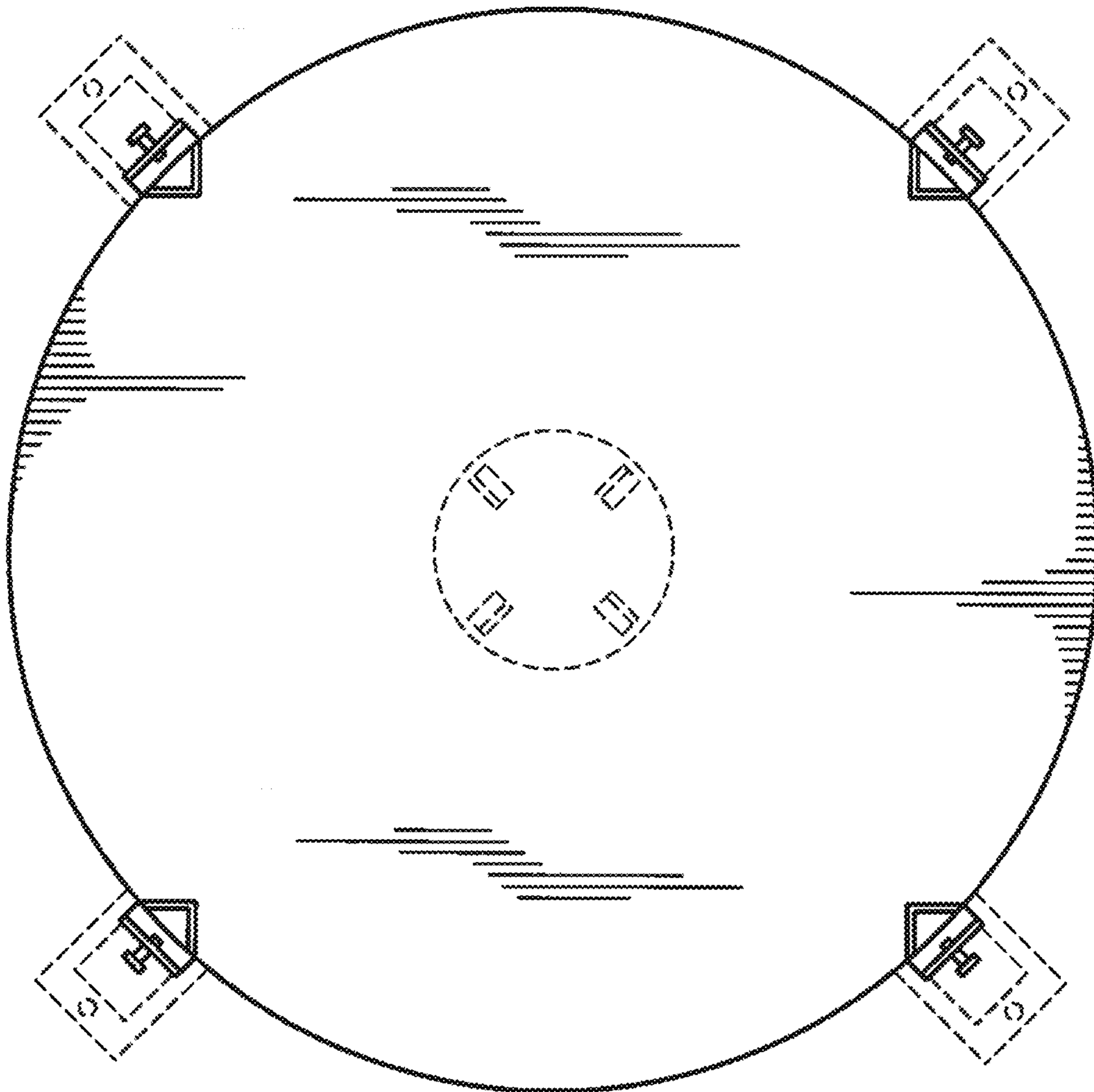


FIG. 2

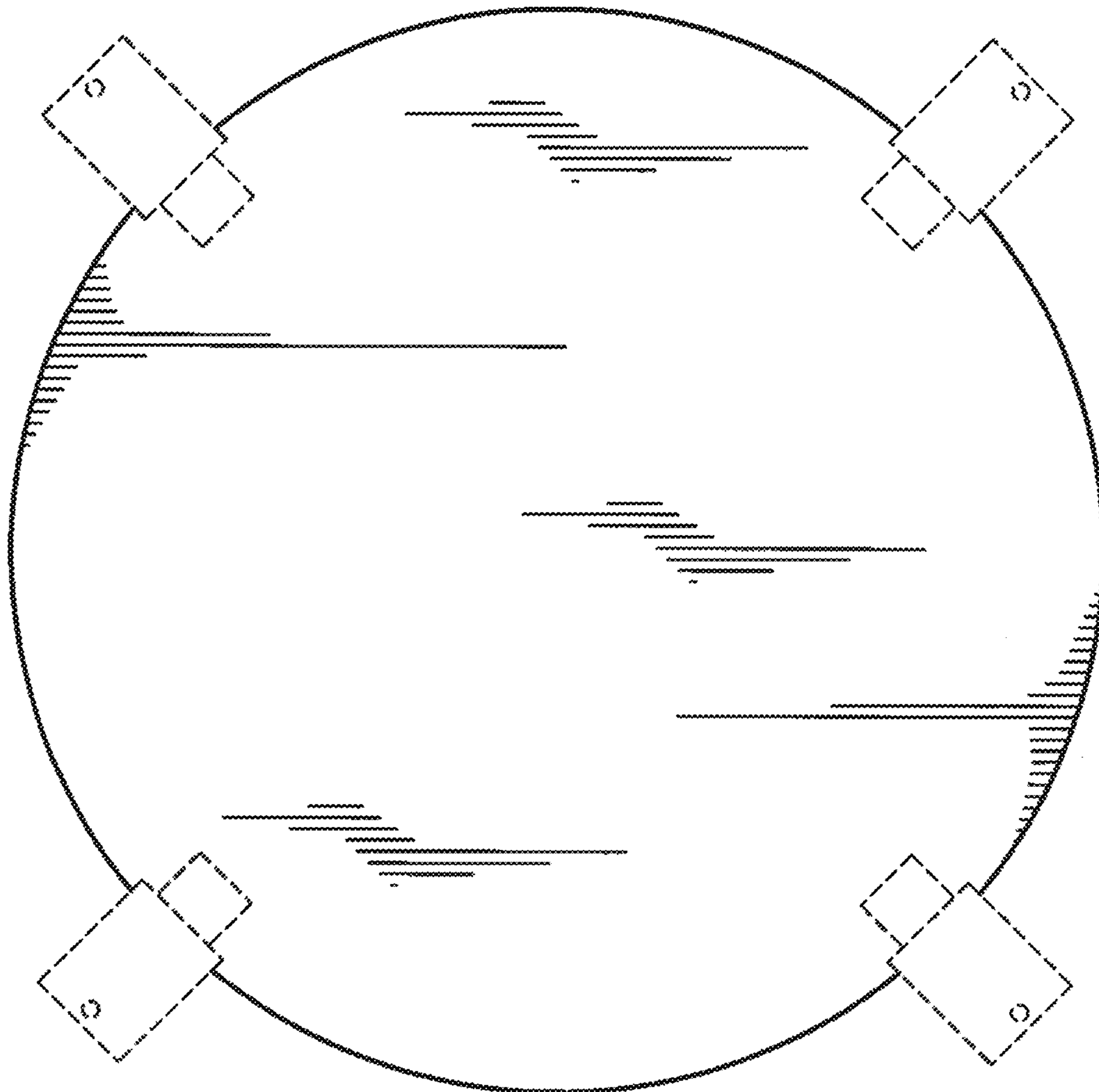
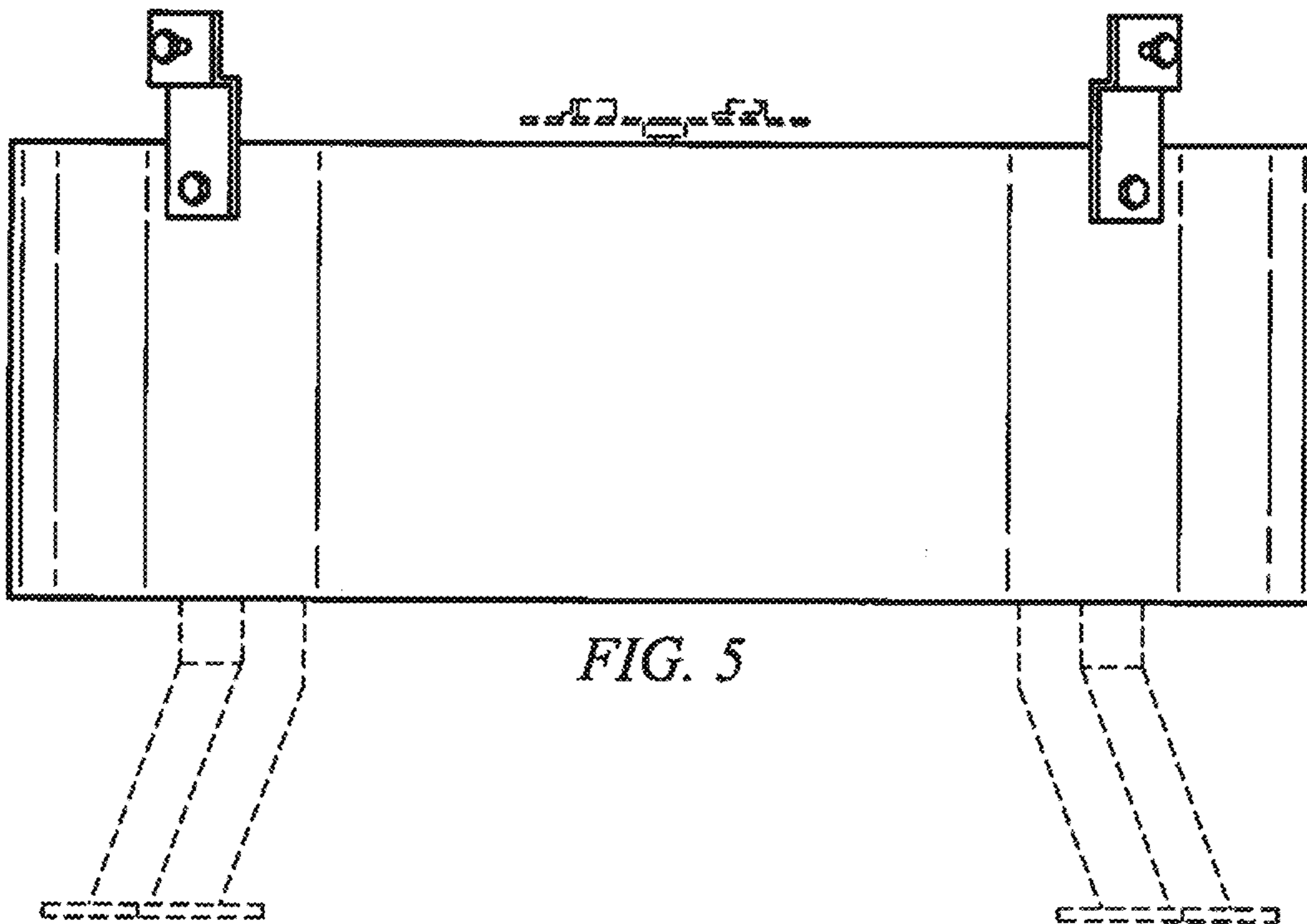
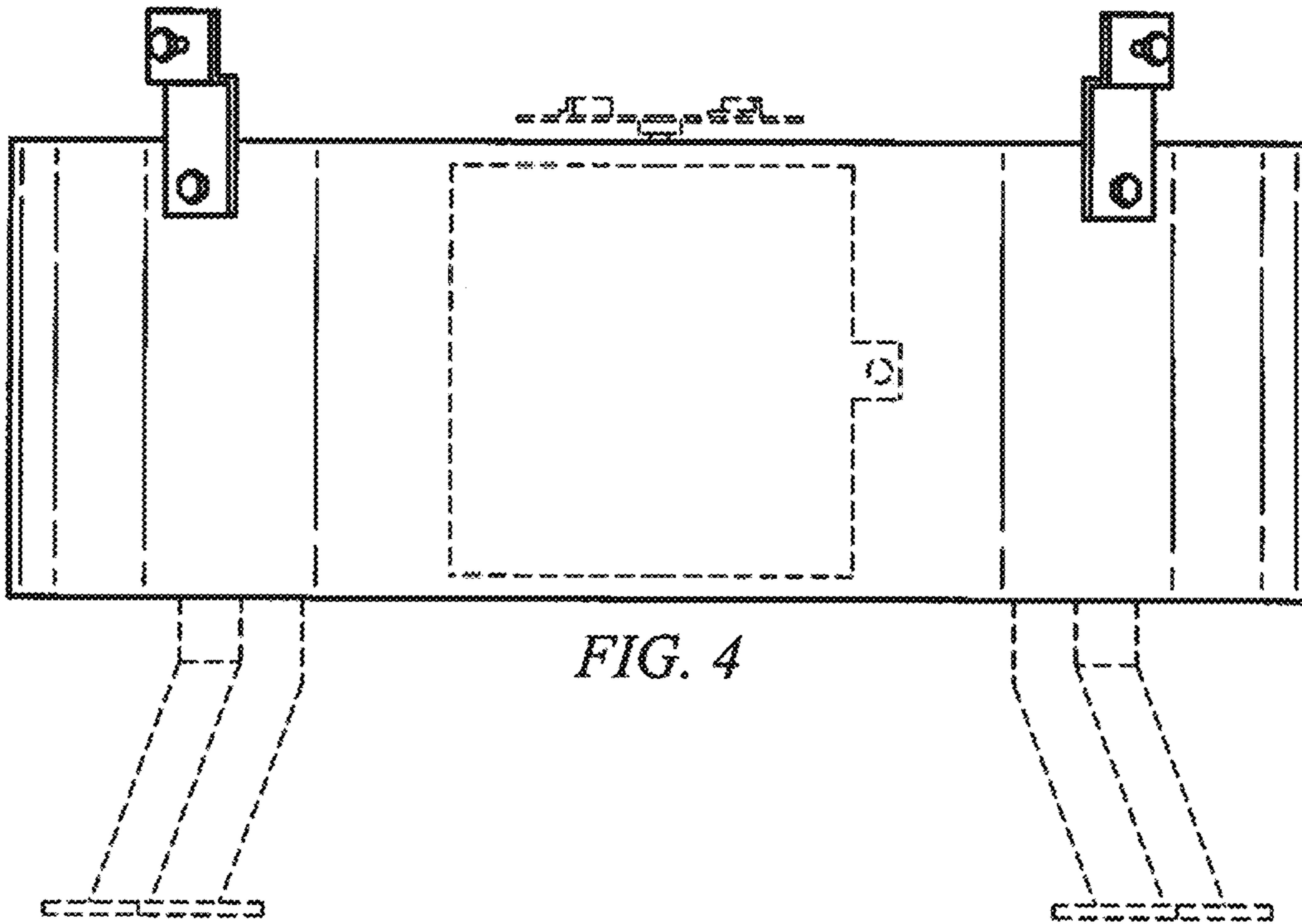
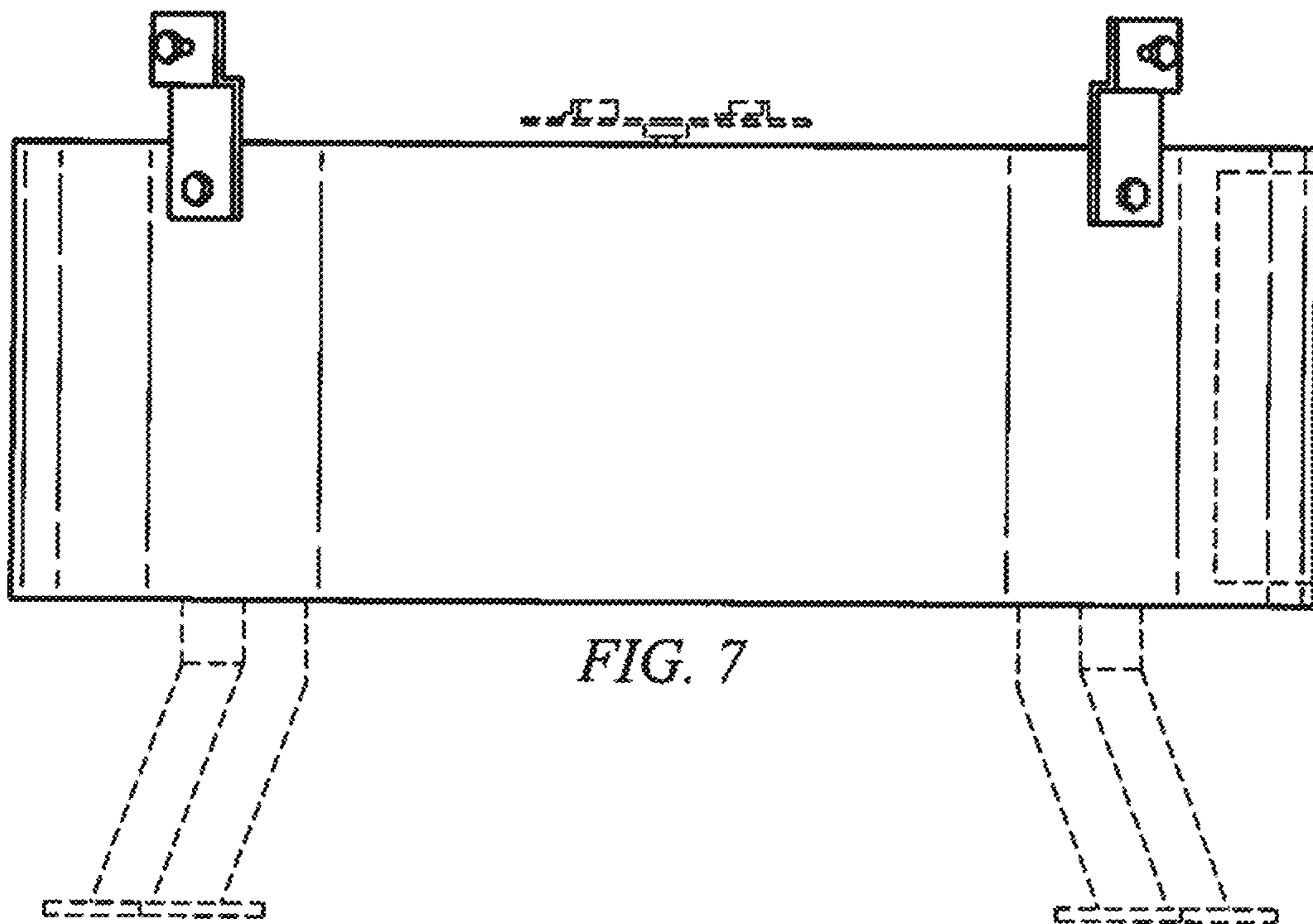
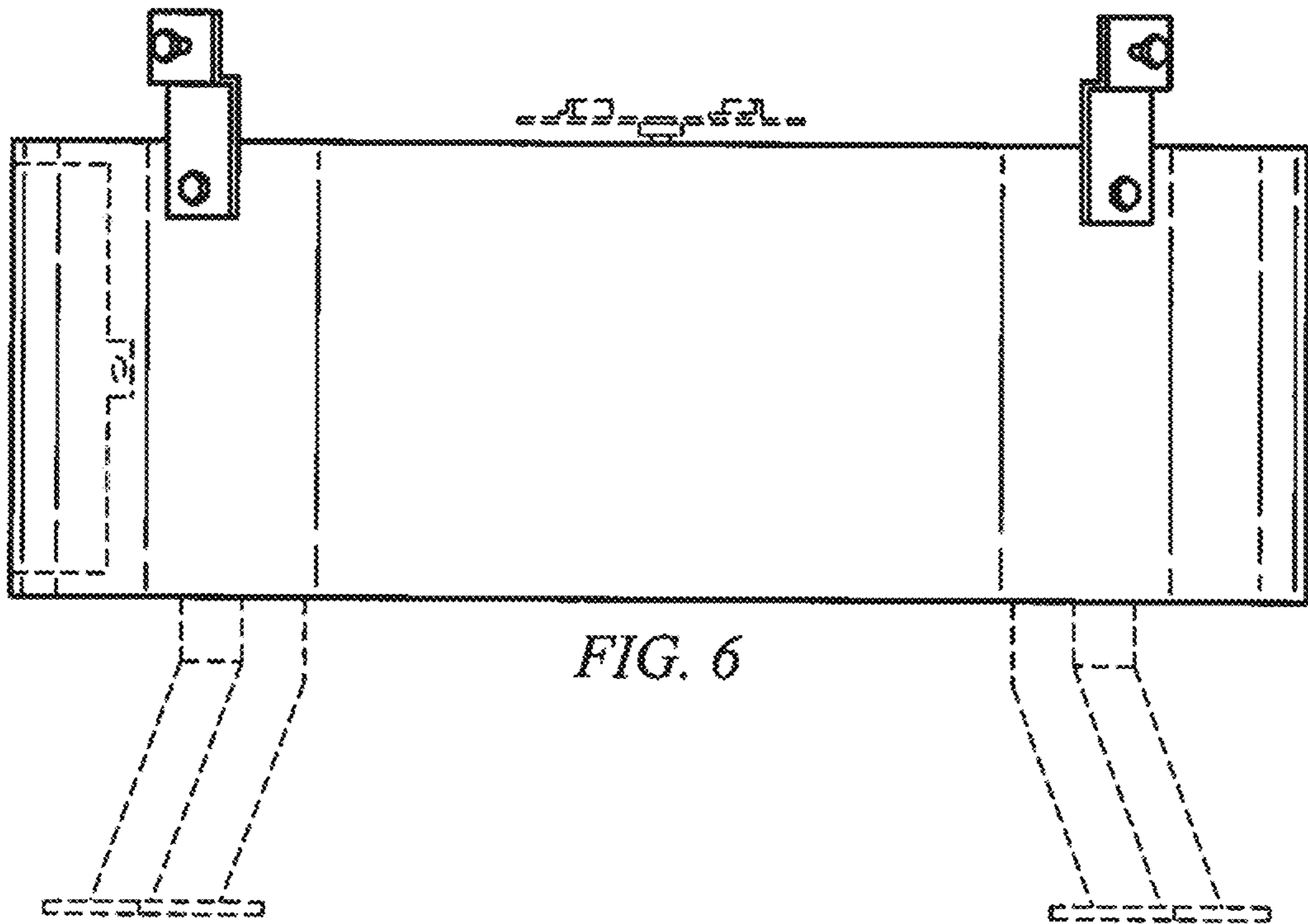


FIG. 3





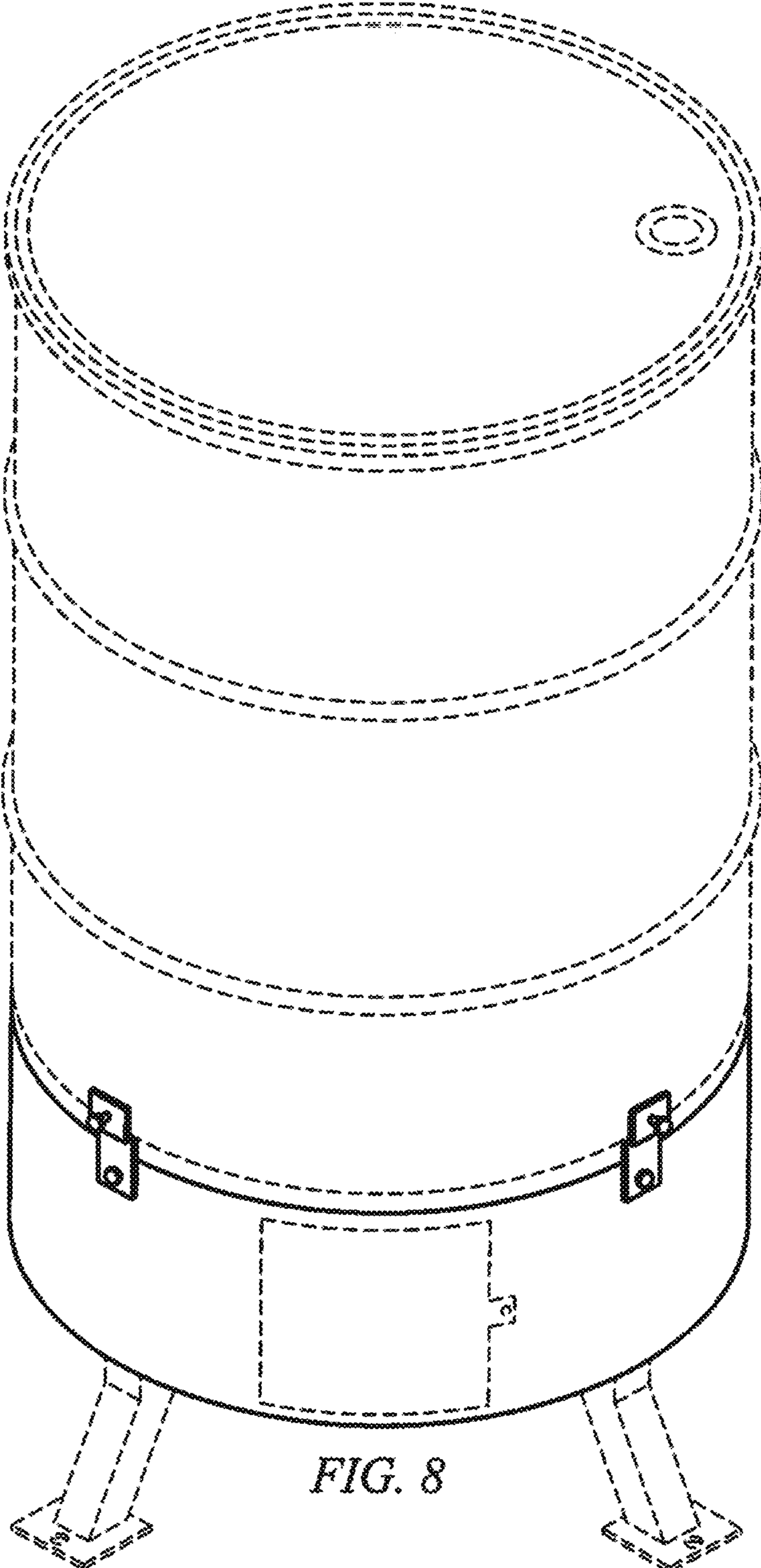


FIG. 8