



US00D891002S

(12) **United States Design Patent**
MacNeil et al.

(10) **Patent No.:** **US D891,002 S**
(45) **Date of Patent:** **** Jul. 21, 2020**

(54) **SET OF PET RAMPS AND CENTRAL PIER**

- (71) Applicant: **MacNeil IP LLC**, Bolingbrook, IL (US)
- (72) Inventors: **David F. MacNeil**, Fort Lauderdale, FL (US); **Frederick W. Masanek, Jr.**, Barrington, IL (US); **David S. Iverson**, Oak Brook, IL (US)
- (73) Assignee: **MACNEIL IP LLC**, Bolingbrook, IL (US)
- (**) Term: **15 Years**
- (21) Appl. No.: **29/637,011**
- (22) Filed: **Feb. 13, 2018**

Related U.S. Application Data

- (62) Division of application No. 29/560,231, filed on Apr. 4, 2016, now abandoned.
- (51) **LOC (12) Cl.** **30-02**
- (52) **U.S. Cl.**
USPC **D30/119**
- (58) **Field of Classification Search**
USPC D30/108, 109, 113, 114, 115, 116, 117, D30/118, 119, 120; D25/152, 153, 154, D25/155, 156
CPC A01K 1/035
See application file for complete search history.

(56) **References Cited**

U.S. PATENT DOCUMENTS

- D322,872 S 12/1991 Holbrook
- D351,710 S * 10/1994 Richardson D34/32
- D353,029 S 11/1994 Northrop et al.
- D376,874 S 12/1996 Reyes, III
- D376,909 S 12/1996 Dickinson et al.

(Continued)

OTHER PUBLICATIONS

“JW Pet Walk Up Small Animal Barn.” Found online Apr. 6, 2017 at amazon.com. Page dated Dec. 23, 2011. Retrieved from https://www.amazon.com/JW-Pet-Company-Animal-Assorted/dp/B003NTJOSS/ref=cm_cr_arp_d_product_top?ie=UTF8.

(Continued)

Primary Examiner — Kendra Leslie Hamilton

(74) *Attorney, Agent, or Firm* — Perkins IP Law Group LLC; Jefferson Perkins

(57) **CLAIM**

The ornamental design for a set of pet ramps and central pier, as shown and described.

DESCRIPTION

FIG. 1 is a top, front perspective view of a set of pet ramps and central pier, showing our new design in a first configuration of use;

FIG. 2 is a top, front perspective view of one ramp and the central pier as shown in FIG. 1, shown in a second configuration of use and exploded for clarity of disclosure;

FIG. 3 is a bottom, side perspective view of the ramp depicted in FIG. 2;

FIG. 4 is a top plan view of the set of pet ramps and central pier of FIG. 1;

FIG. 5 is a left side elevation view thereof, a right side elevation view being a mirror image of the left side elevation view;

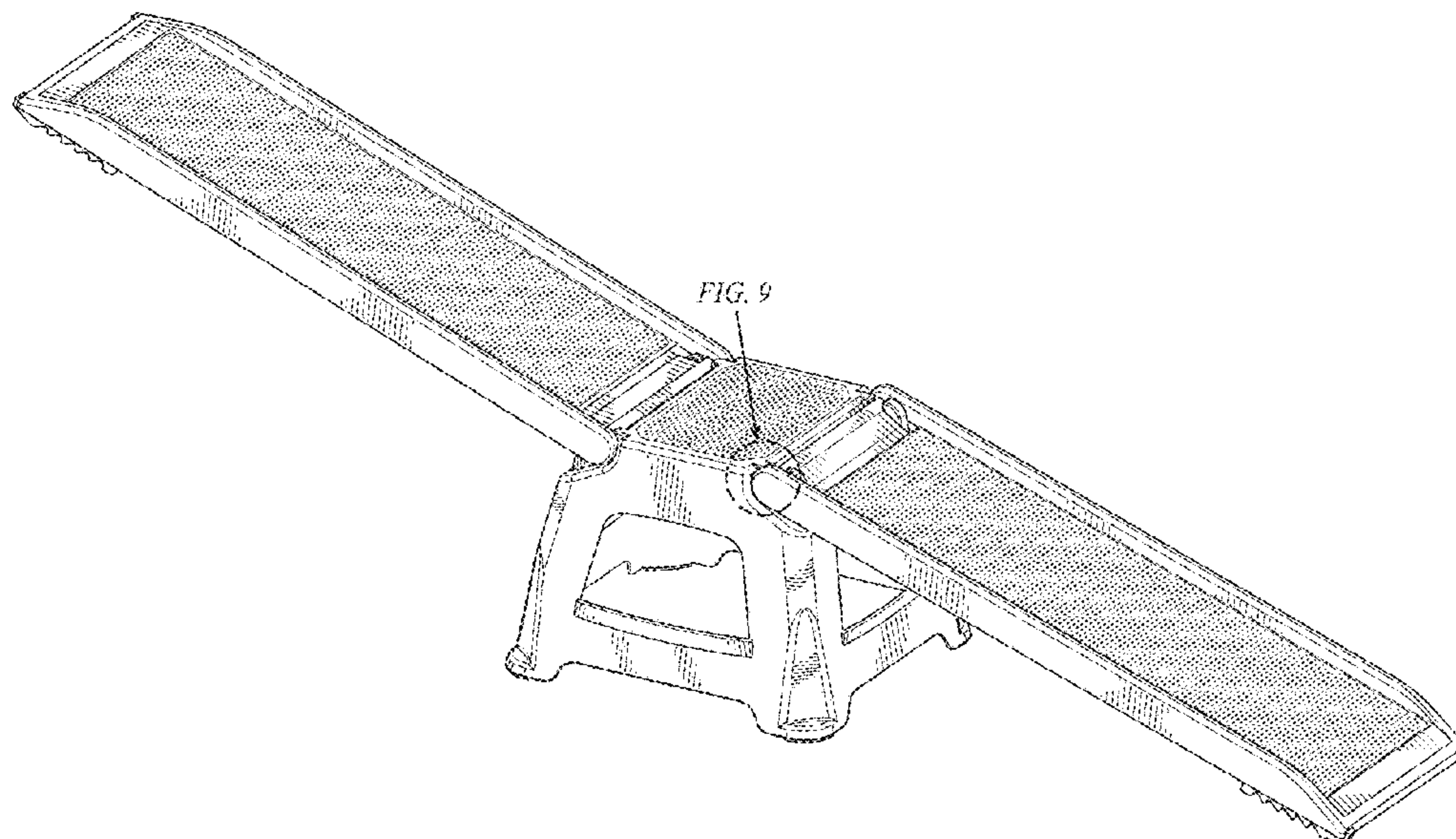
FIG. 6 is a front elevation view thereof;

FIG. 7 is an enlarged view of detail “7” identified in FIG. 2;

FIG. 8 is an enlarged view of detail “8” identified in FIG. 3; and,

FIG. 9 is an enlarged view of detail “9” identified in FIG. 1. Bottom and interior surfaces of the pier are unadorned and form no portion of our design. The bottoms of the ramps are unadorned and form no portion of our design.

1 Claim, 7 Drawing Sheets



(56)

References Cited

U.S. PATENT DOCUMENTS

D382,676 S 8/1997 Holbrook
 D412,224 S 7/1999 Adler
 6,119,634 A 9/2000 Myrick
 D440,717 S * 4/2001 Fazio 119/706
 6,267,082 B1 * 7/2001 Naragon A01K 1/035
 119/849
 6,318,294 B1 11/2001 Richmond et al.
 6,643,879 B1 * 11/2003 Davis A01K 15/02
 14/69.5
 6,715,177 B1 * 4/2004 Lagergren-Julander
 B60P 1/433
 119/847
 6,886,660 B2 5/2005 Sapatova
 D558,473 S 1/2008 Mendenhall
 D640,015 S 6/2011 Birck
 D663,492 S * 7/2012 Haaf D30/160
 D734,570 S * 7/2015 Hawk D30/199
 D736,484 S * 8/2015 Jakubowski D30/199
 D736,867 S 8/2015 Glickfield
 D756,574 S 5/2016 Jakubowski et al.
 9,694,997 B2 * 7/2017 Lopez B60P 1/43
 9,775,326 B1 * 10/2017 MacNeil A01K 1/035

D809,716 S * 2/2018 Spaile D30/119
 D846,813 S * 4/2019 MacNeil D30/119
 2005/0115522 A1 6/2005 Bishop
 2008/0201873 A1 * 8/2008 Haimoff B66F 7/243
 14/69.5
 2016/0302381 A1 10/2016 Asposito

OTHER PUBLICATIONS

“Kaytee Woodland Get-A-Way Small Mouse House.” Found online Apr. 6, 2017 at amazon.com. Page dated Feb. 5, 2010. Retrieved from https://www.amazon.com/Kaytee-Woodland-Small-Mouse-House/dp/B0009WMQ7Y/ref=cm_cr_arp_d_product_top?ie=UTF8.
 “Paw Climbers Pet Ramp for Beds.” Found online Jan. 19, 2017 at sears.com. Page dated Sep. 24, 2014. Retrieved from <http://web.archive.org/web/20140924003141/http://www.sears.com/paw-climbers-pet-ramp-for-beds/p-SPM9589744625>.
 “Low Platform Pet Ramp.” Found online Jan. 19, 2017 at petclassics.com. Page dated Sep. 17, 2011. Retrieved from <http://web.archive.org/web/20110917150034/http://www.petclassics.com/Sofa-Ramps-For-Pets/low-platform-pet-ramp.74.html>.

* cited by examiner

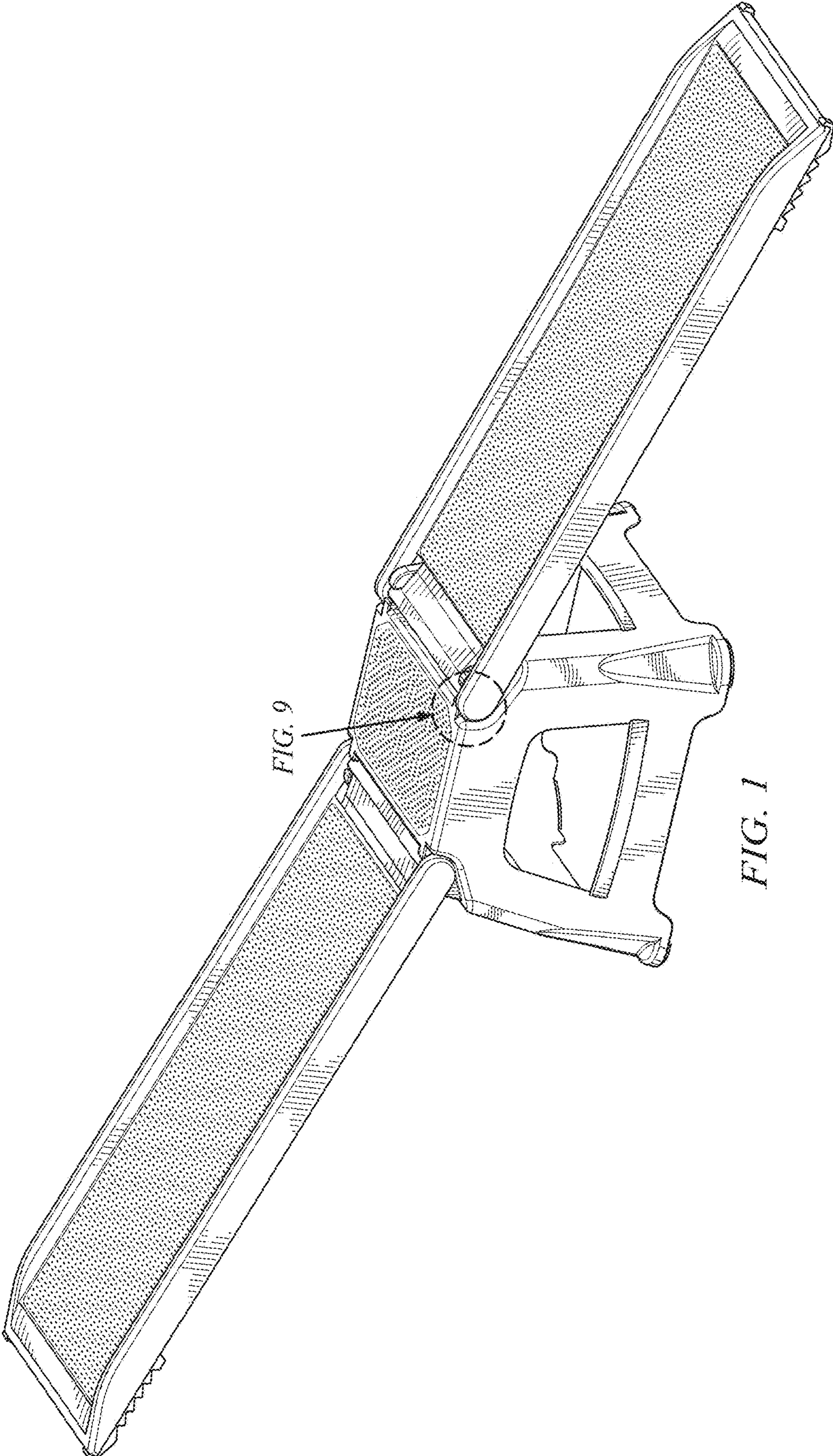
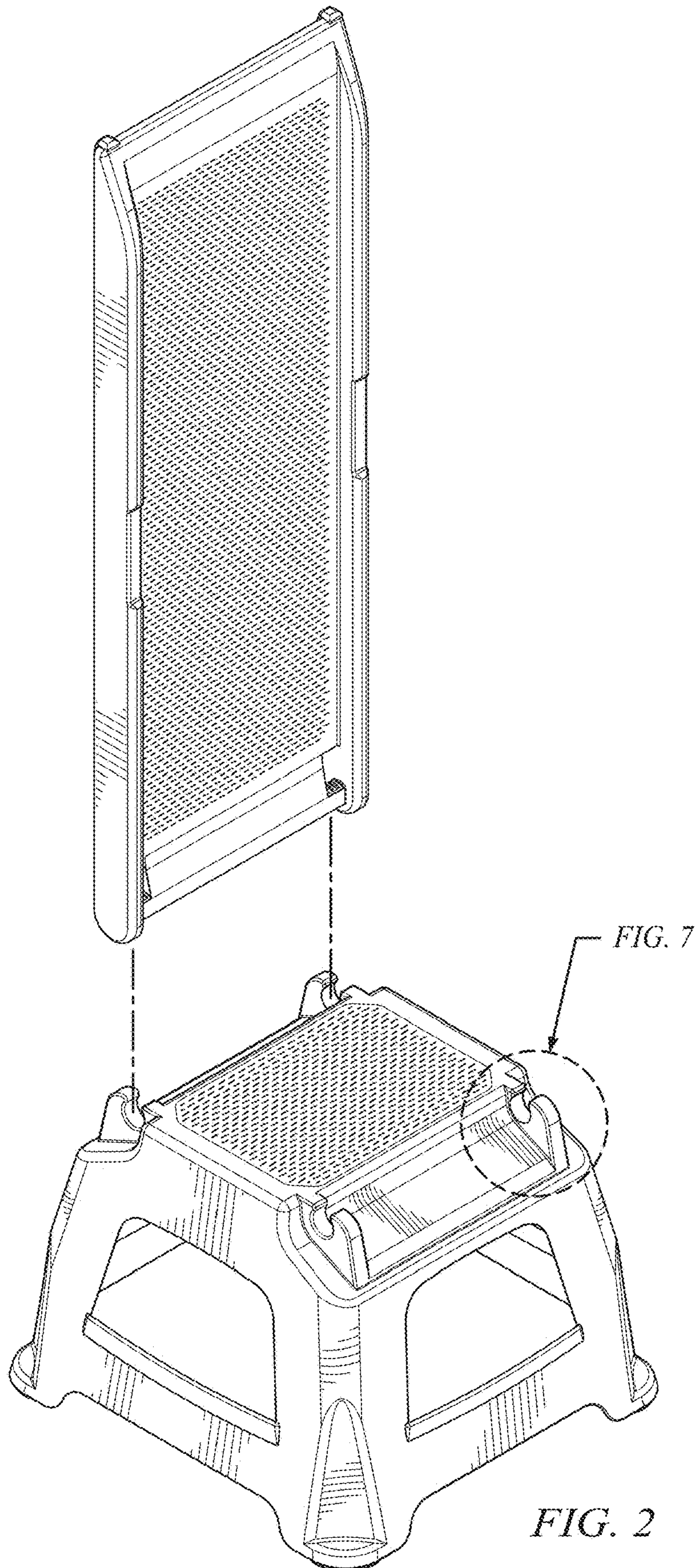


FIG. 9

FIG. 1



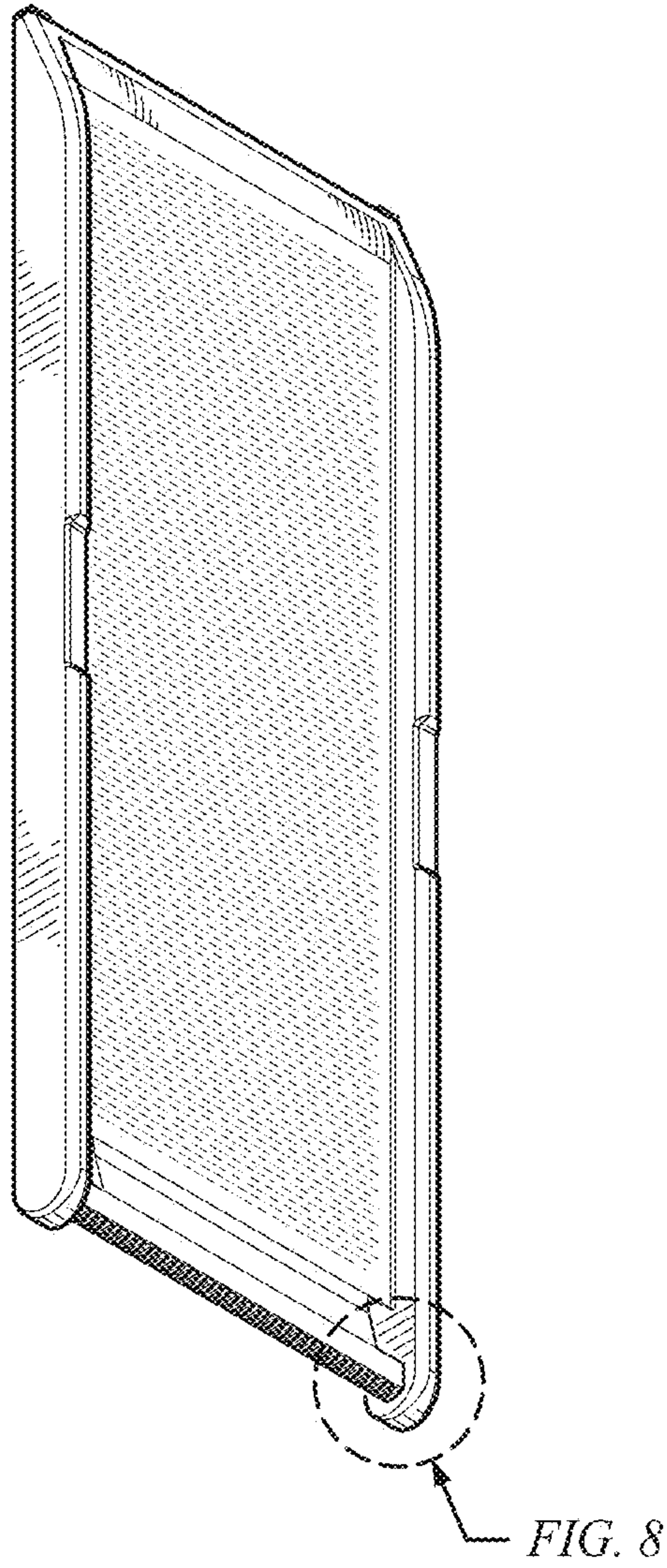


FIG. 3

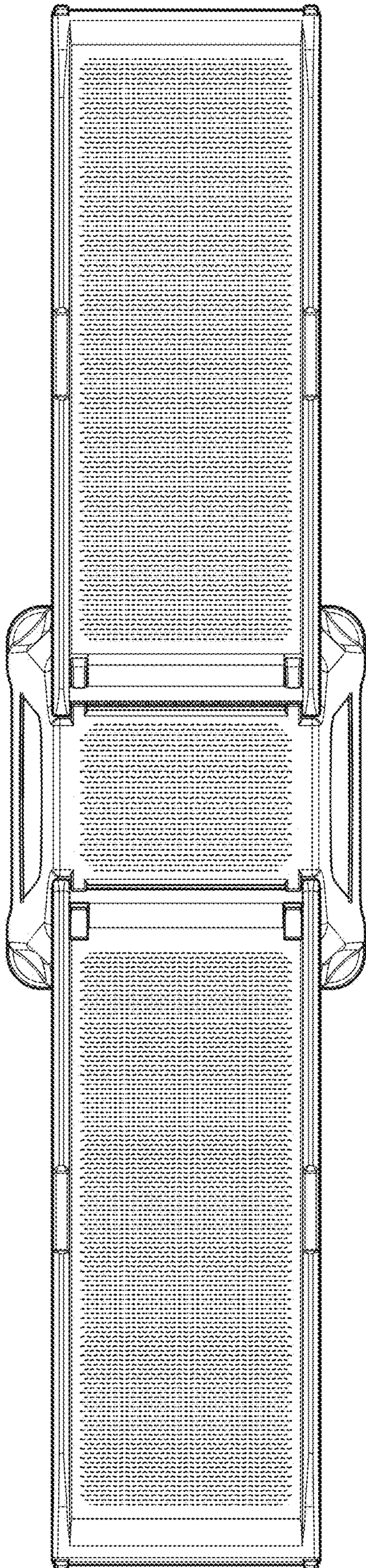


FIG. 4

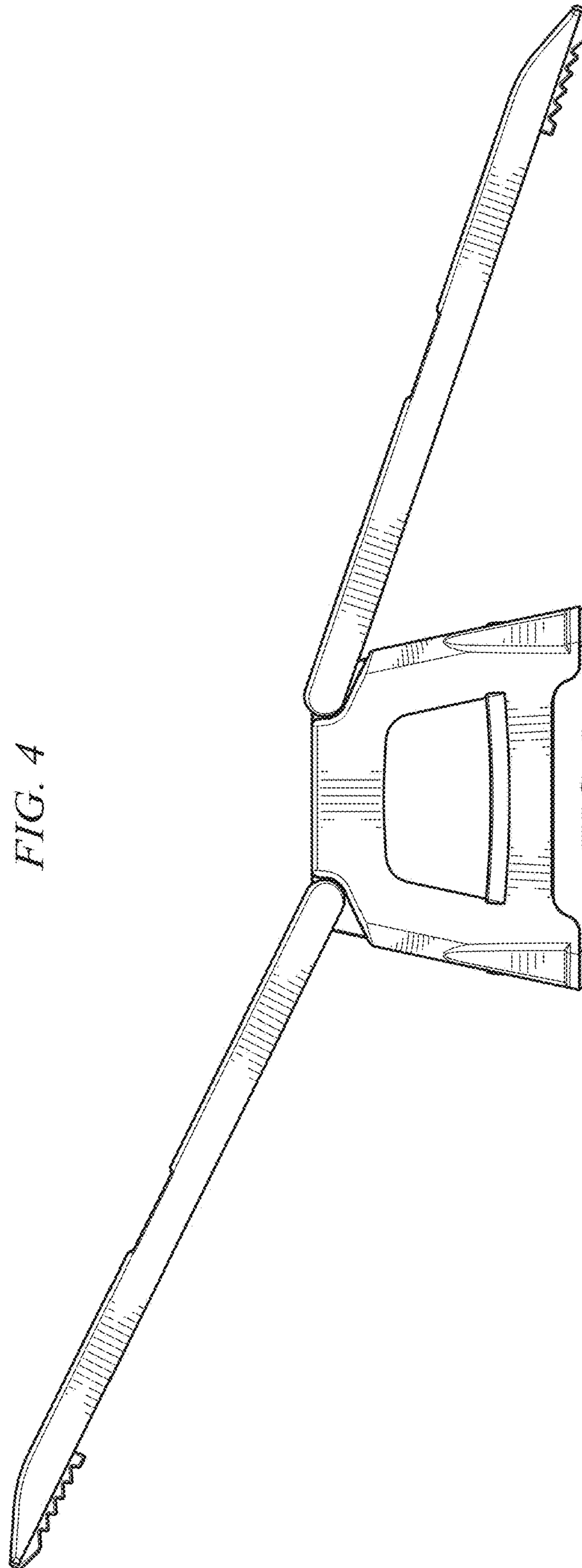


FIG. 5

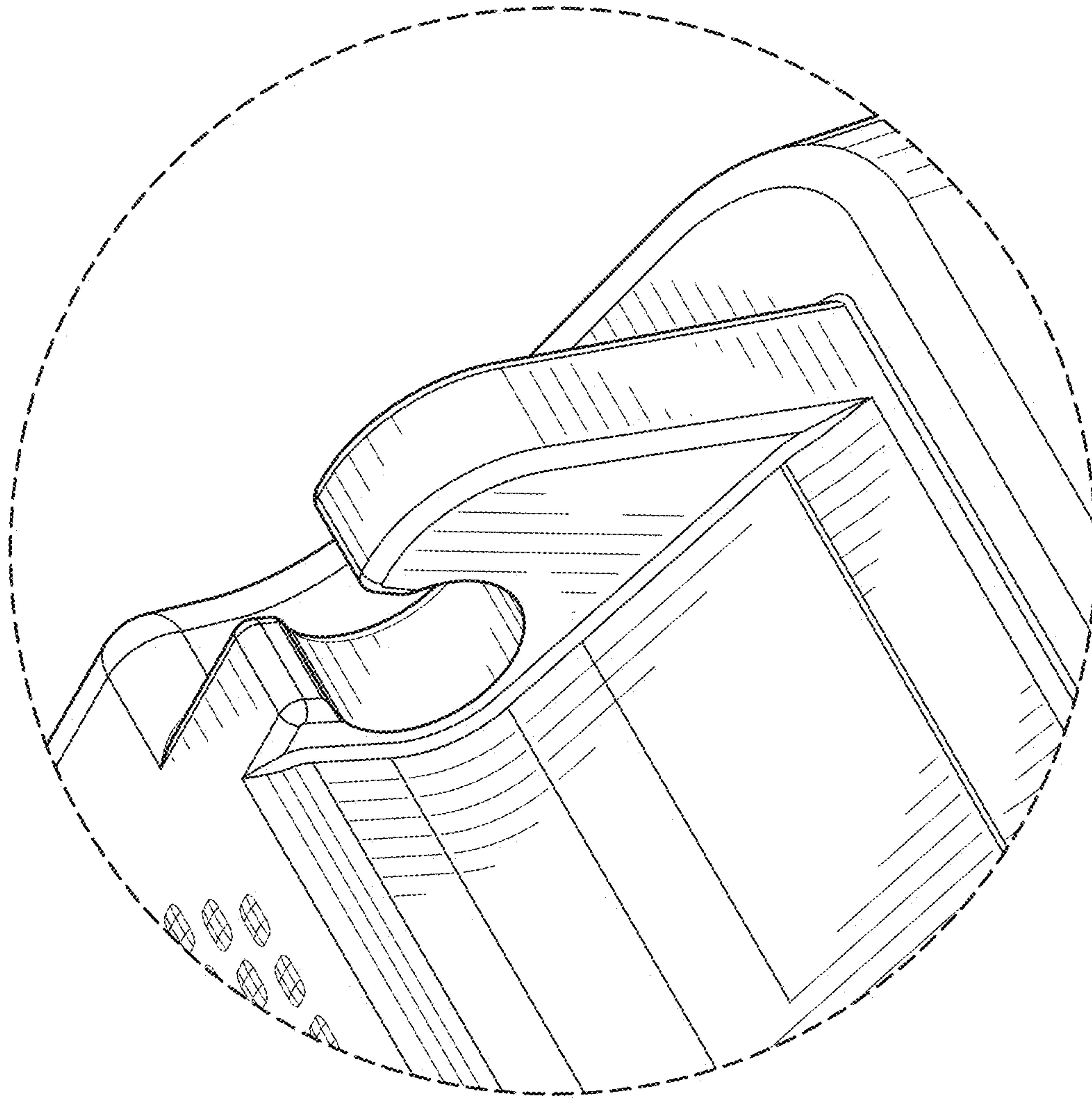


FIG. 7

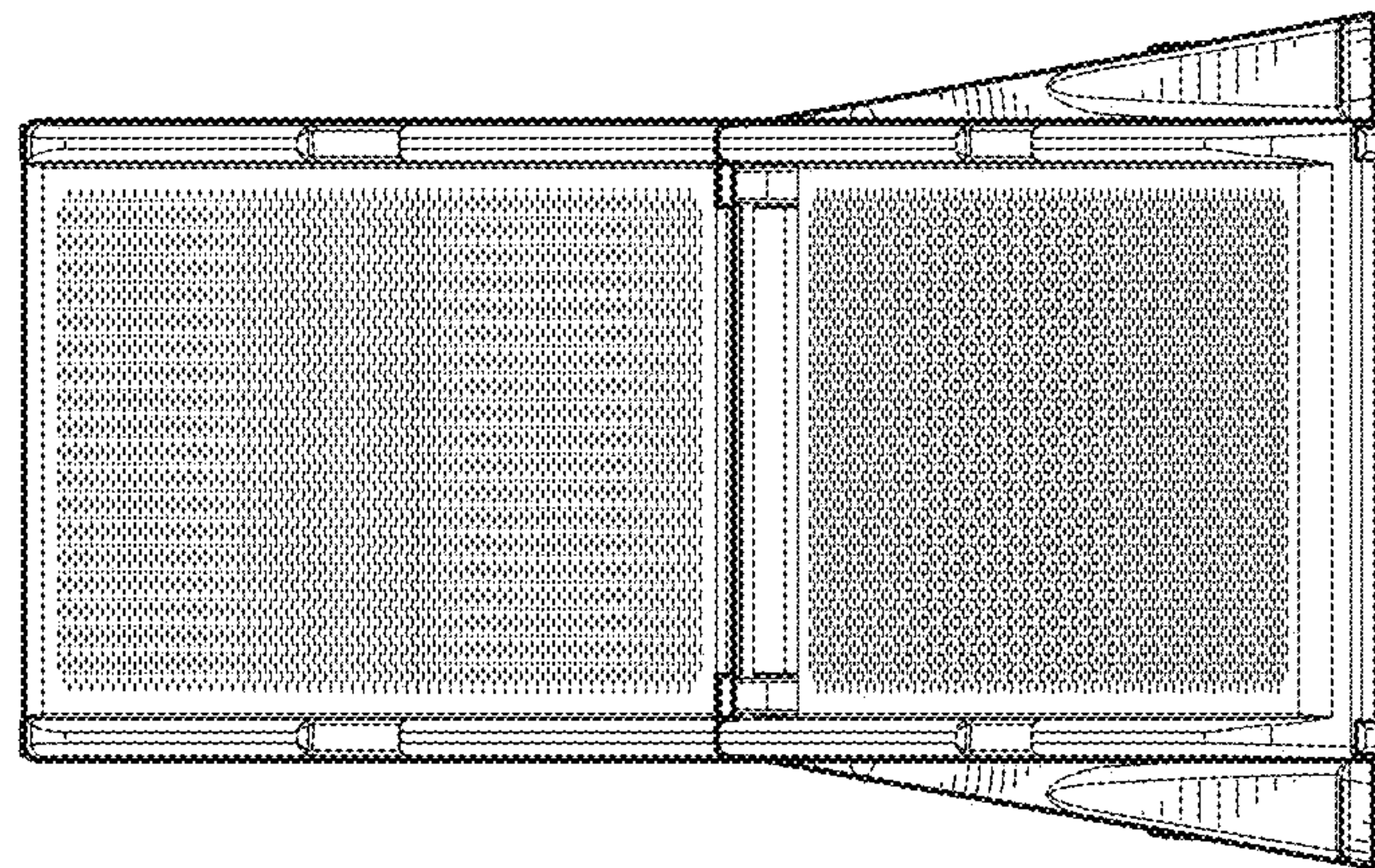


FIG. 6

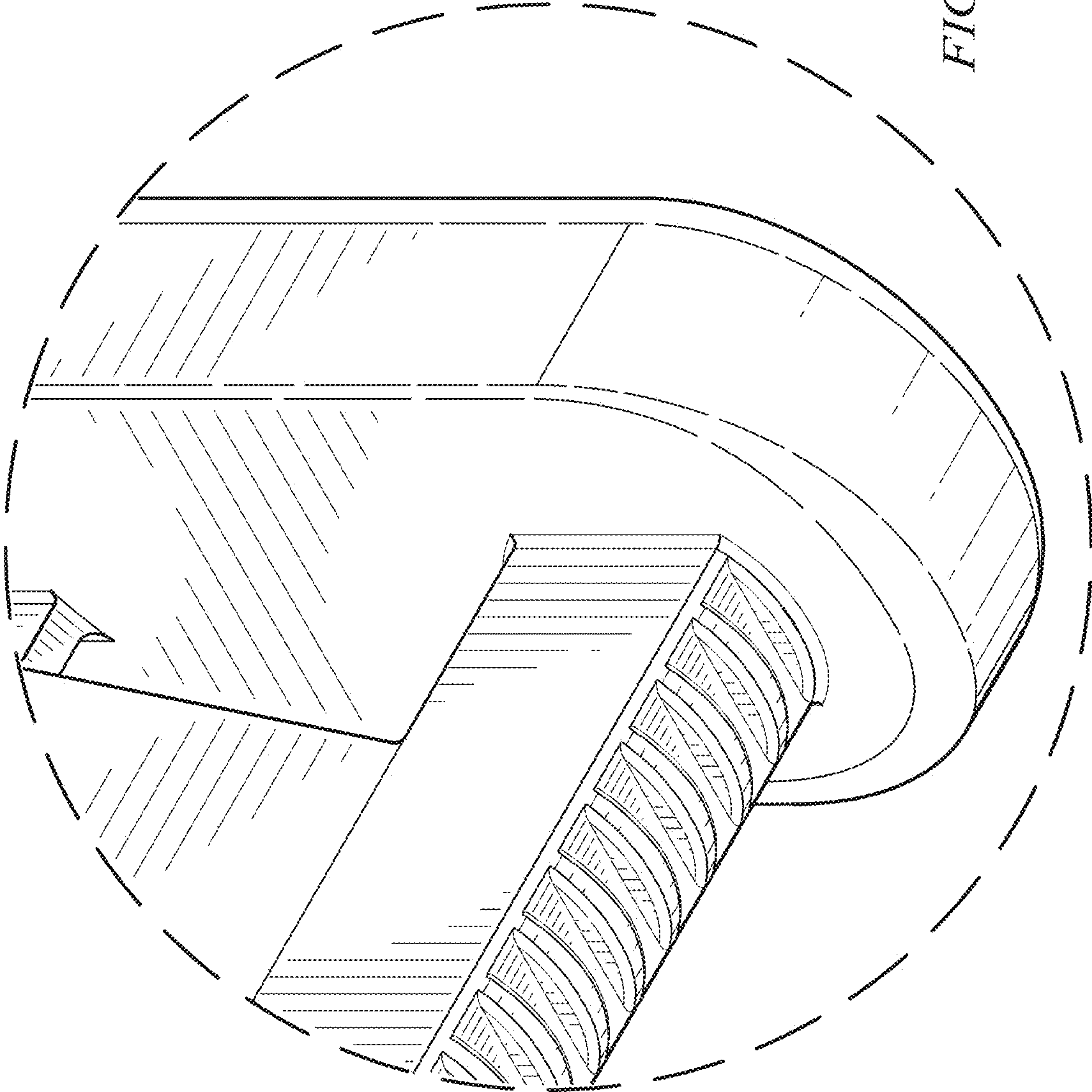


FIG. 8

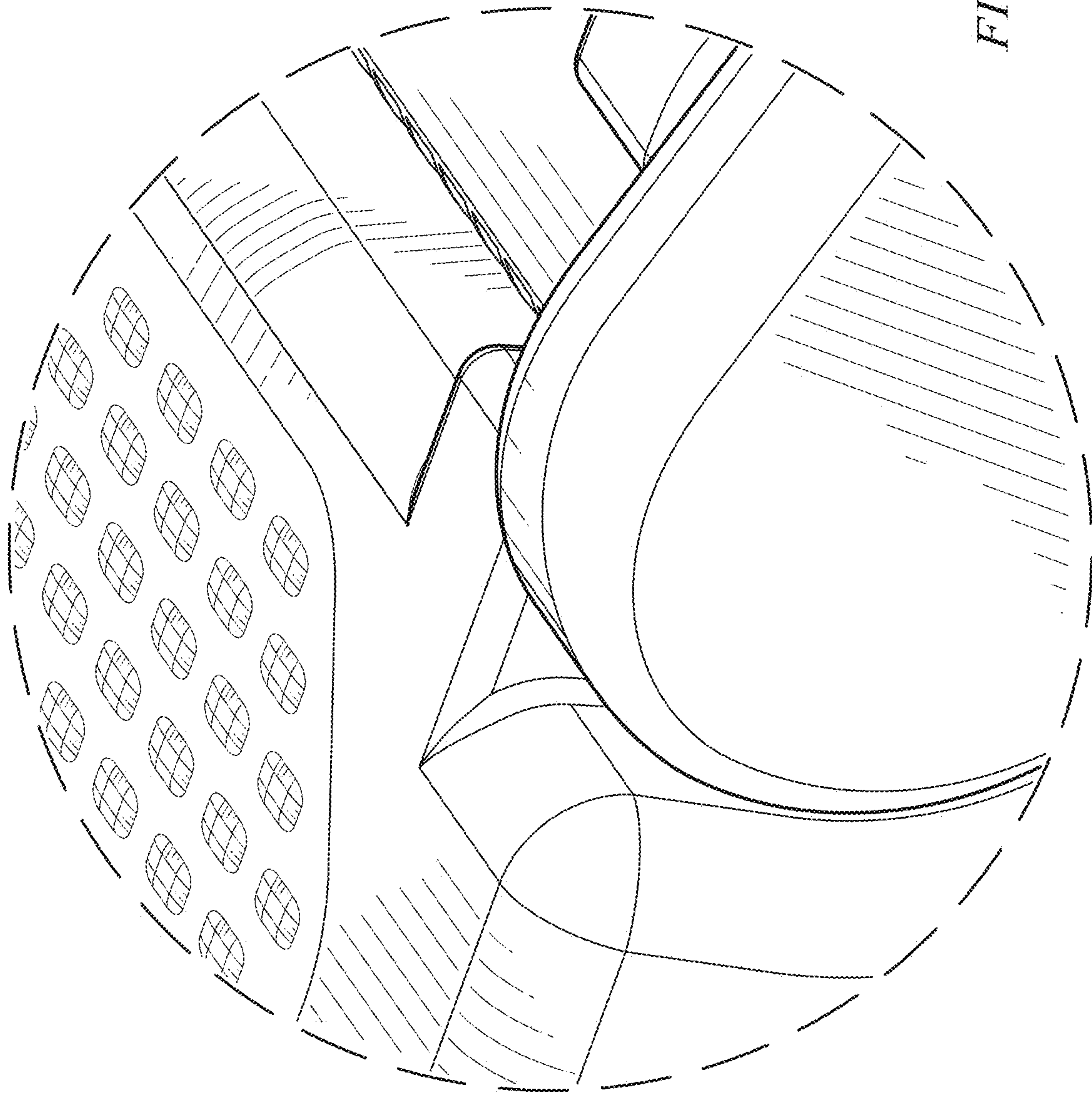


FIG. 9