



US00D890995S

(12) **United States Design Patent**  
**Long et al.**

(10) **Patent No.:** **US D890,995 S**  
(45) **Date of Patent:** **\*\* Jul. 21, 2020**

- (54) **RAZOR CARTRIDGE**
- (71) Applicant: **The Gillette Company LLC**, Boston, MA (US)
- (72) Inventors: **Matthew Michael Long**, Methuen, MA (US); **Jahdiel Fyfield**, Roslindale, MA (US); **Jack Anthony Washington**, Mendon, MA (US)
- (73) Assignee: **The Gillette Company LLC**, Boston, MA (US)
- (\*\*) Term: **15 Years**
- (21) Appl. No.: **29/662,373**
- (22) Filed: **Sep. 5, 2018**
- (51) **LOC (12) Cl.** ..... **28-03**
- (52) **U.S. Cl.**  
USPC ..... **D28/47**
- (58) **Field of Classification Search**  
USPC ..... D28/45-48  
CPC . B26B 21/40; B26B 21/4006; B26B 21/4012; B26B 21/4018; B26B 21/4025; B26B 21/4031; B26B 21/4068; B26B 21/4075; B26B 21/4081; B26B 21/4087; B26B 21/442; B26B 21/54-60  
See application file for complete search history.

- D630,797 S \* 1/2011 Witkus ..... D28/47
- D633,254 S \* 2/2011 Witkus ..... D28/47
- D658,809 S \* 5/2012 Jessemey ..... D28/47
- D665,948 S \* 8/2012 Jessemey ..... D28/47
- 8,359,752 B2 \* 1/2013 Bridges ..... B26B 21/4037  
30/50
- 9,221,185 B2 \* 12/2015 Walker, Jr. .... B26B 21/4031
- D839,477 S \* 1/2019 Hodgson ..... D28/46
- D843,058 S \* 3/2019 Fyfield ..... D28/46
- D869,767 S \* 12/2019 Watson ..... D28/46
- 2012/0192431 A9 \* 8/2012 Wain ..... B26B 21/4031  
30/41
- 2015/0158191 A1 \* 6/2015 Jeong ..... B26B 21/4018  
30/41
- 2017/0008183 A1 \* 1/2017 Bridges ..... B26B 21/14

\* cited by examiner

*Primary Examiner* — Jennifer Rivard

(74) *Attorney, Agent, or Firm* — Joanne N. Pappas; Kevin C. Johnson

(57) **CLAIM**

The ornamental design for a razor cartridge, as shown and described.

**DESCRIPTION**

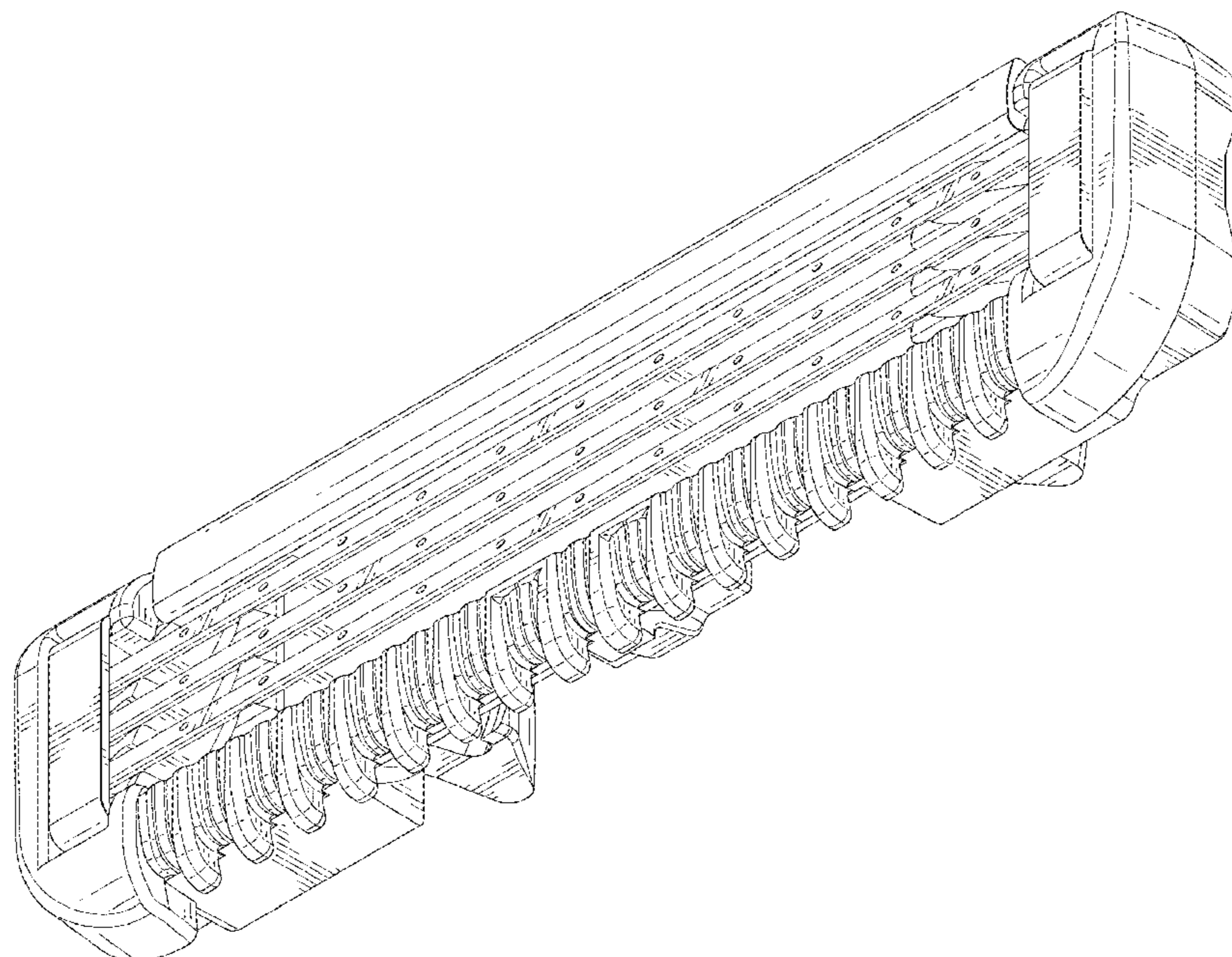
FIG. 1 is a top perspective view of a design of a razor cartridge of the present invention;  
 FIG. 2 is a front view thereof;  
 FIG. 3 is a back view thereof;  
 FIG. 4 is a right side view thereof;  
 FIG. 5 is a left side view thereof;  
 FIG. 6 is a top view thereof;  
 FIG. 7 is a bottom view thereof; and,  
 FIG. 8 is bottom perspective view thereof.  
 The broken lines illustrate portions of the razor cartridge and form no part of the claimed design.

**1 Claim, 5 Drawing Sheets**

(56) **References Cited**

**U.S. PATENT DOCUMENTS**

- D216,658 S \* 2/1970 Edmondson ..... D28/46
- D601,753 S \* 10/2009 Cataudella ..... D28/47
- D602,634 S \* 10/2009 Cataudella ..... D28/46
- D608,501 S \* 1/2010 Wain ..... D28/47
- D616,147 S \* 5/2010 Adams ..... D28/46
- D630,377 S \* 1/2011 Wattam ..... D28/46



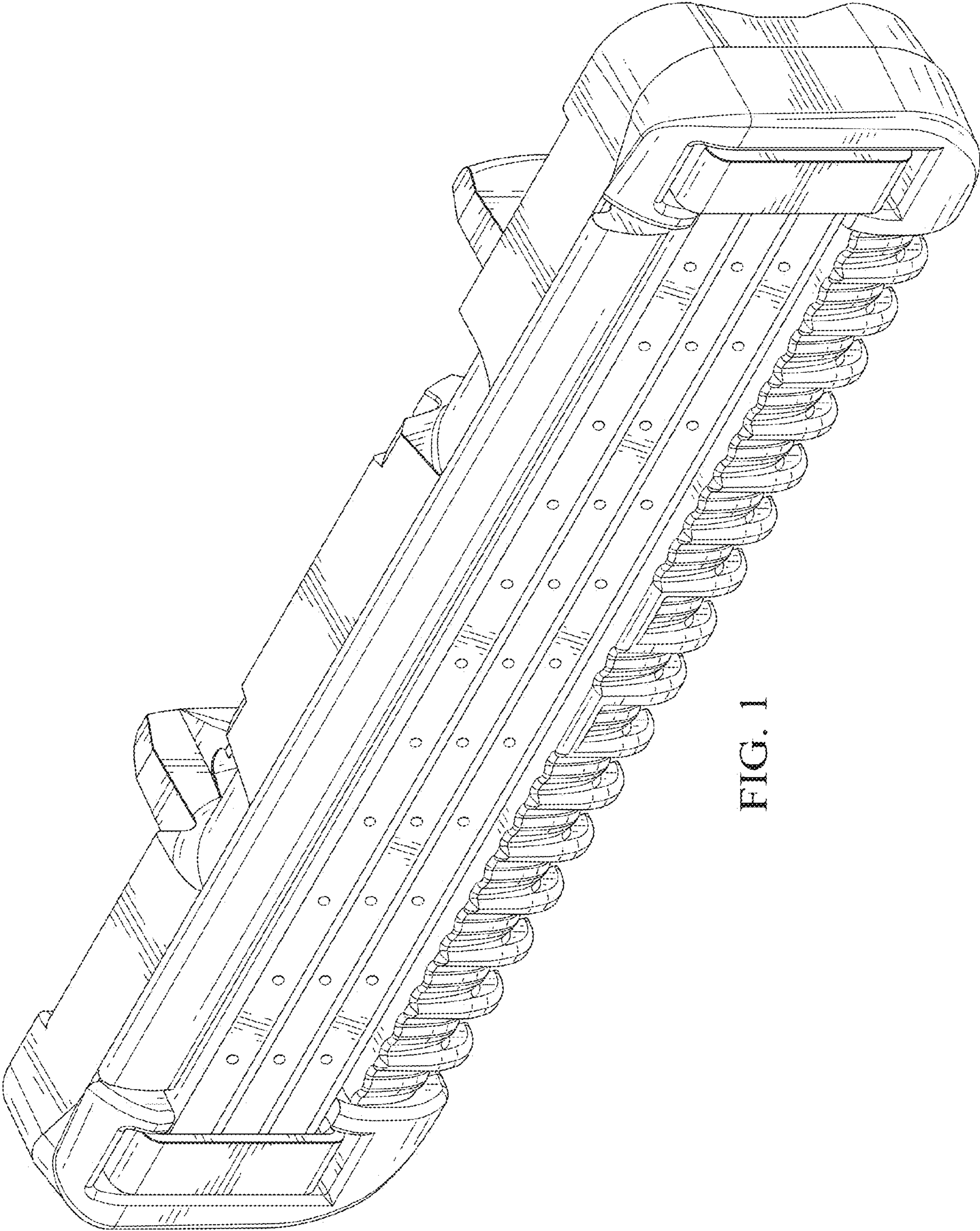


FIG. 1

FIG. 2

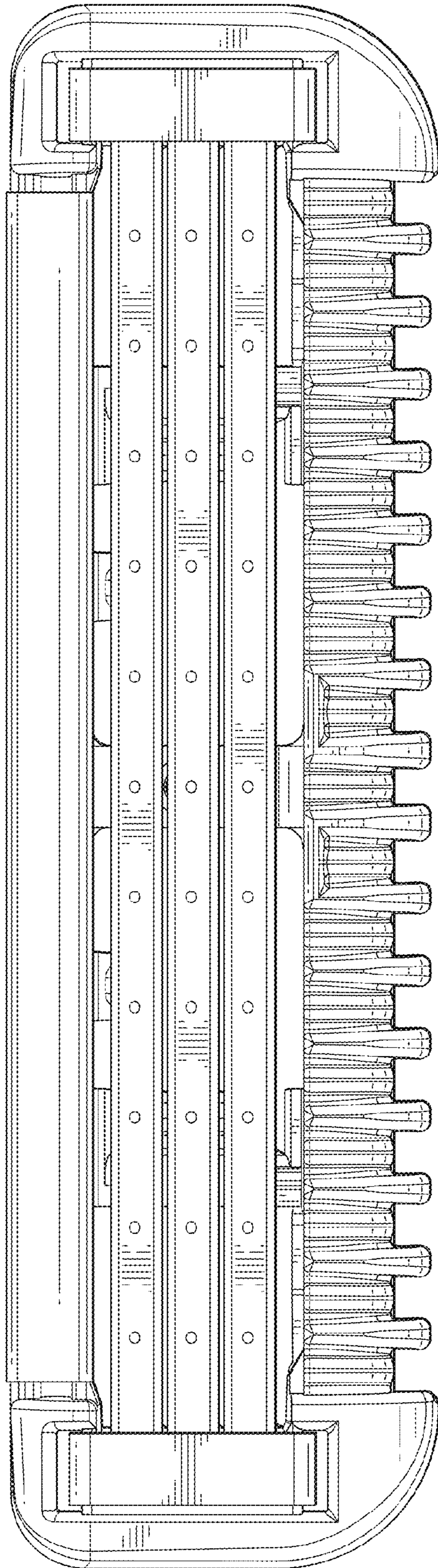
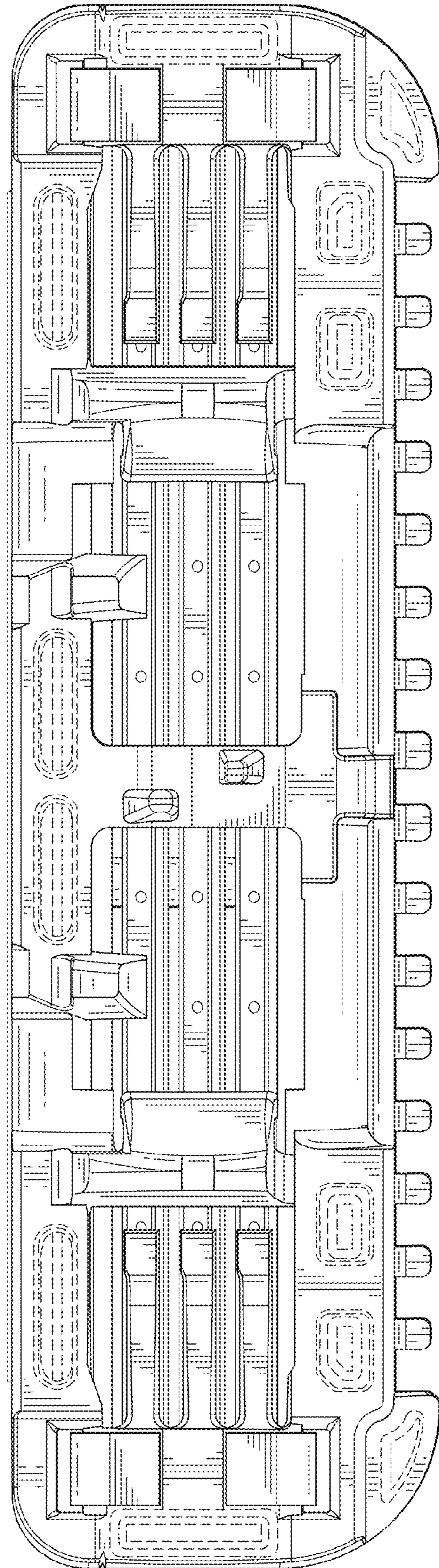


FIG. 3



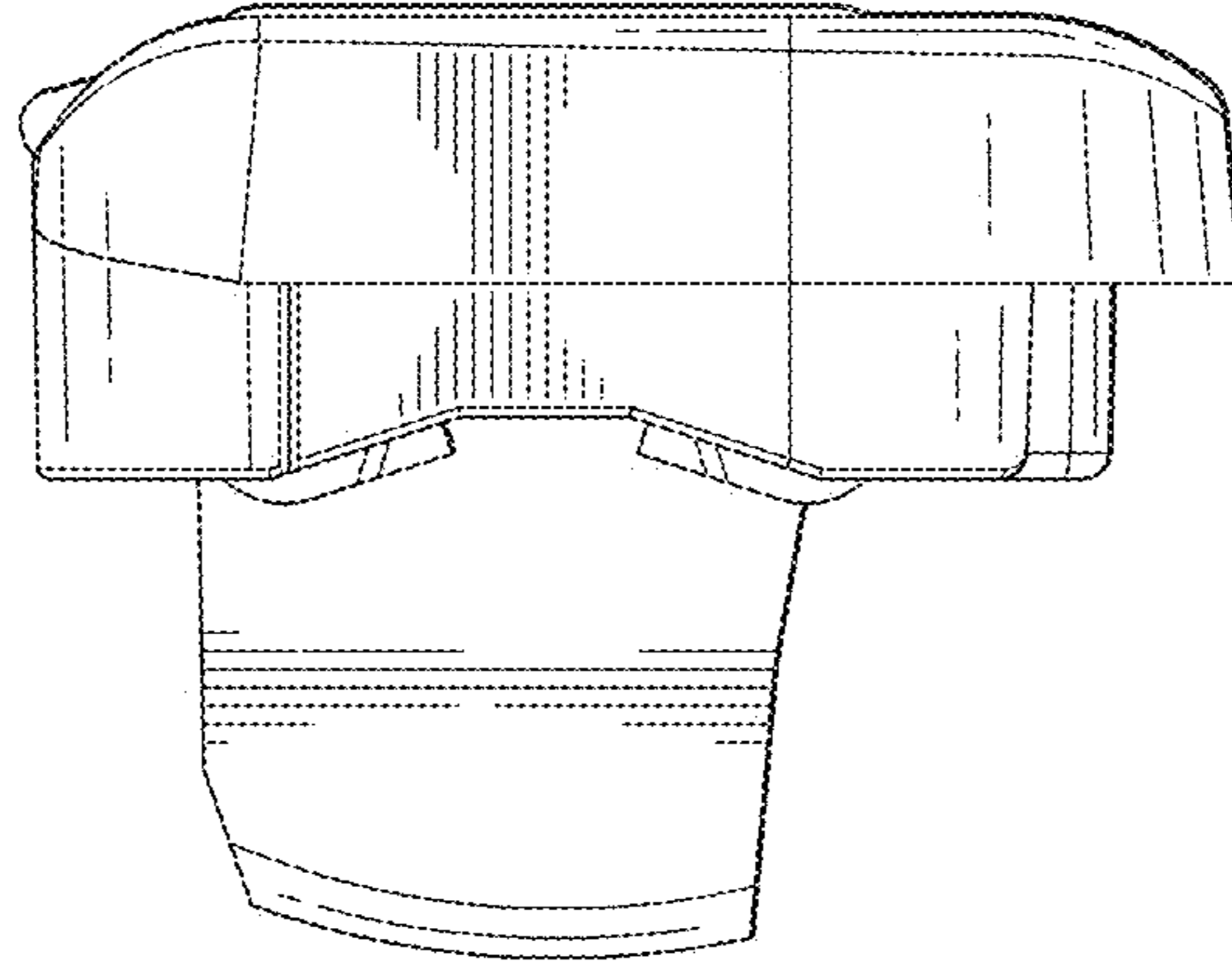


FIG. 5

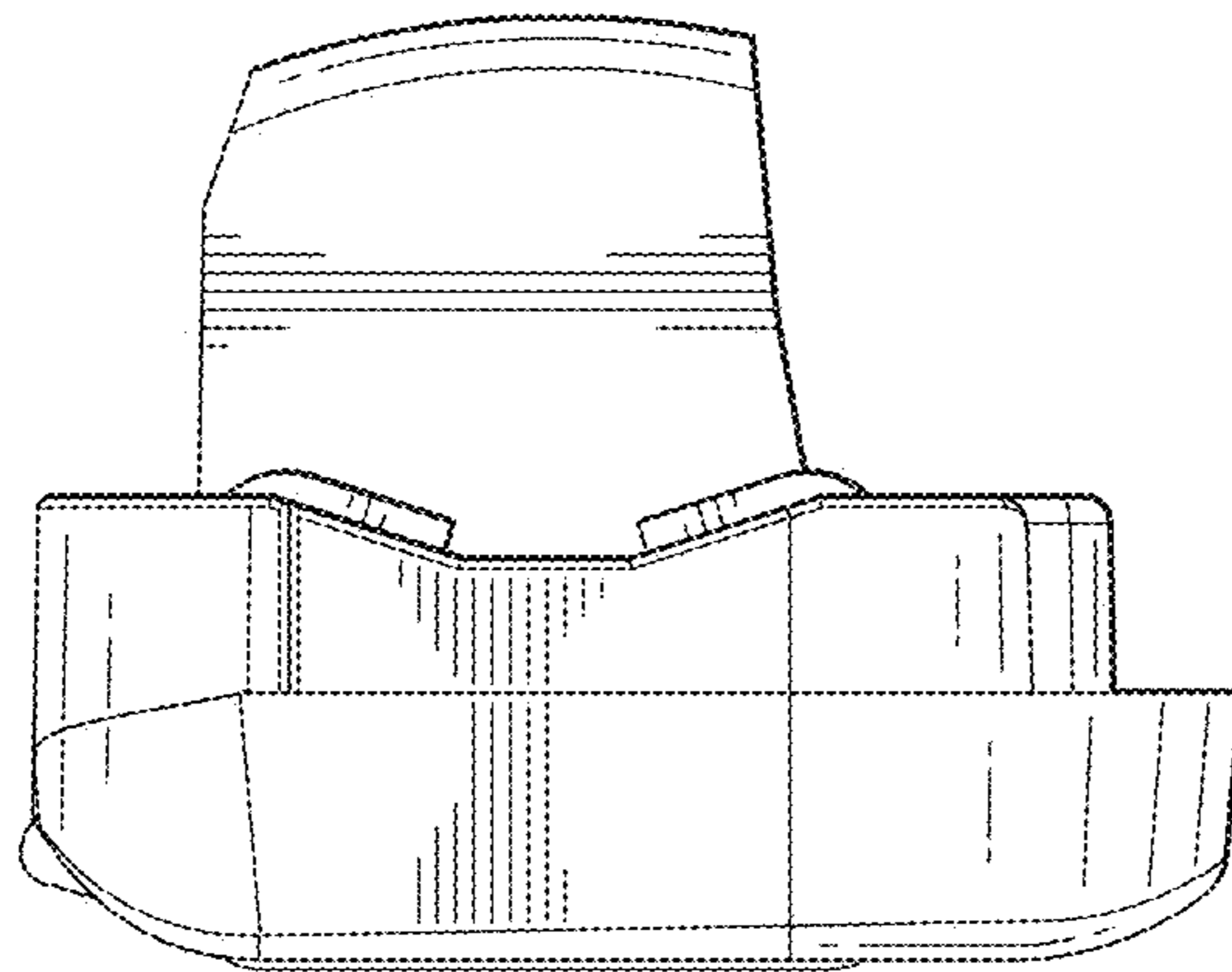


FIG. 4

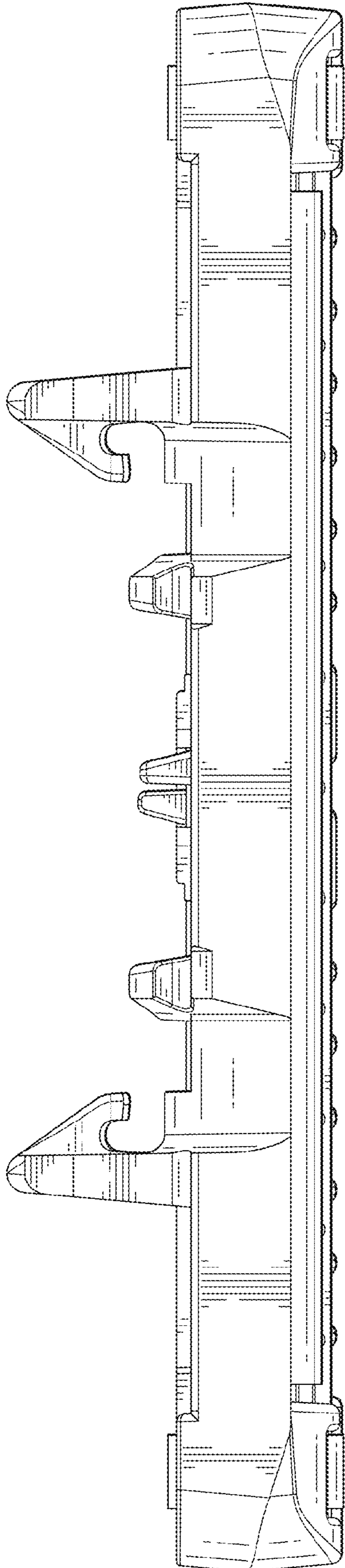


FIG. 6

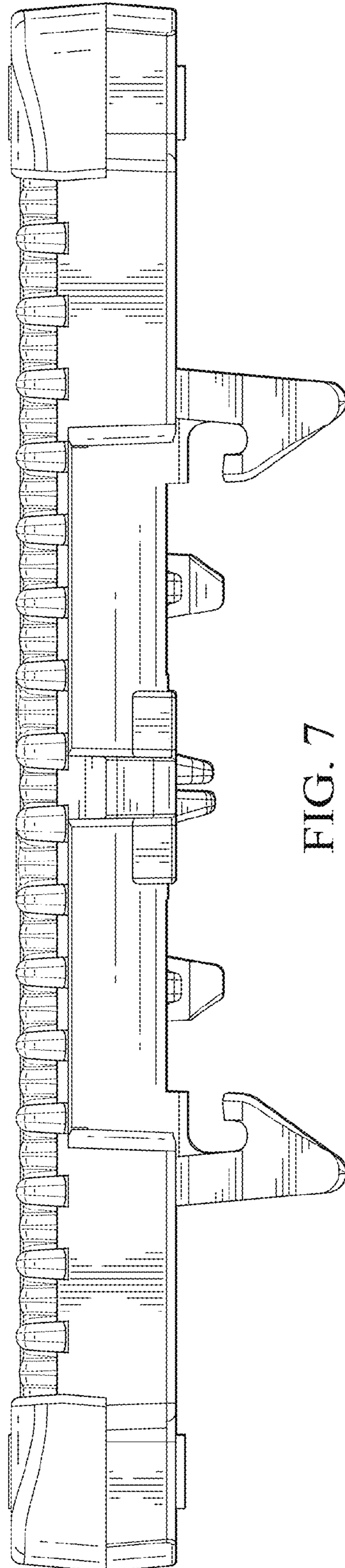


FIG. 7

