



US00D890992S

(12) **United States Design Patent**
Leone

(10) **Patent No.:** **US D890,992 S**
(45) **Date of Patent:** **** Jul. 21, 2020**

- (54) **HAIR-TINTING BOWL**
- (71) Applicant: **Lauren K. Leone**, Baltimore, MD (US)
- (72) Inventor: **Lauren K. Leone**, Baltimore, MD (US)
- (**) Term: **15 Years**
- (21) Appl. No.: **29/682,246**
- (22) Filed: **Mar. 4, 2019**
- (51) **LOC (12) Cl.** **28-01**
- (52) **U.S. Cl.**
USPC **D28/20**
- (58) **Field of Classification Search**
USPC D28/20, 58, 61; D30/131, 129;
D32/53.1, 54; D4/116
CPC A45D 20/00; A45D 20/06; A47J 45/077;
A47J 43/0727; B44D 3/12; B44D 3/121;
B44D 3/126; B44D 3/128
See application file for complete search history.

(56) **References Cited**

U.S. PATENT DOCUMENTS

D394,523 S *	5/1998	Hsu	D23/289
D456,708 S *	5/2002	Harris	D28/20
D471,017 S *	3/2003	Cheung	D28/20
D471,668 S *	3/2003	Cheung	D28/20
D589,214 S *	3/2009	Johnston	D30/131
D678,638 S *	3/2013	Bergman	D32/54
D690,482 S *	9/2013	Bergman	D32/54
D755,448 S *	5/2016	McIntyre	D30/131
D796,140 S *	8/2017	Bergman	D32/53.1
D815,915 S *	4/2018	Raphael	D7/584
D815,916 S *	4/2018	Raphael	D7/584
D836,875 S *	12/2018	Bergman	D32/53.1

* cited by examiner

Primary Examiner — Zenia I Bennett

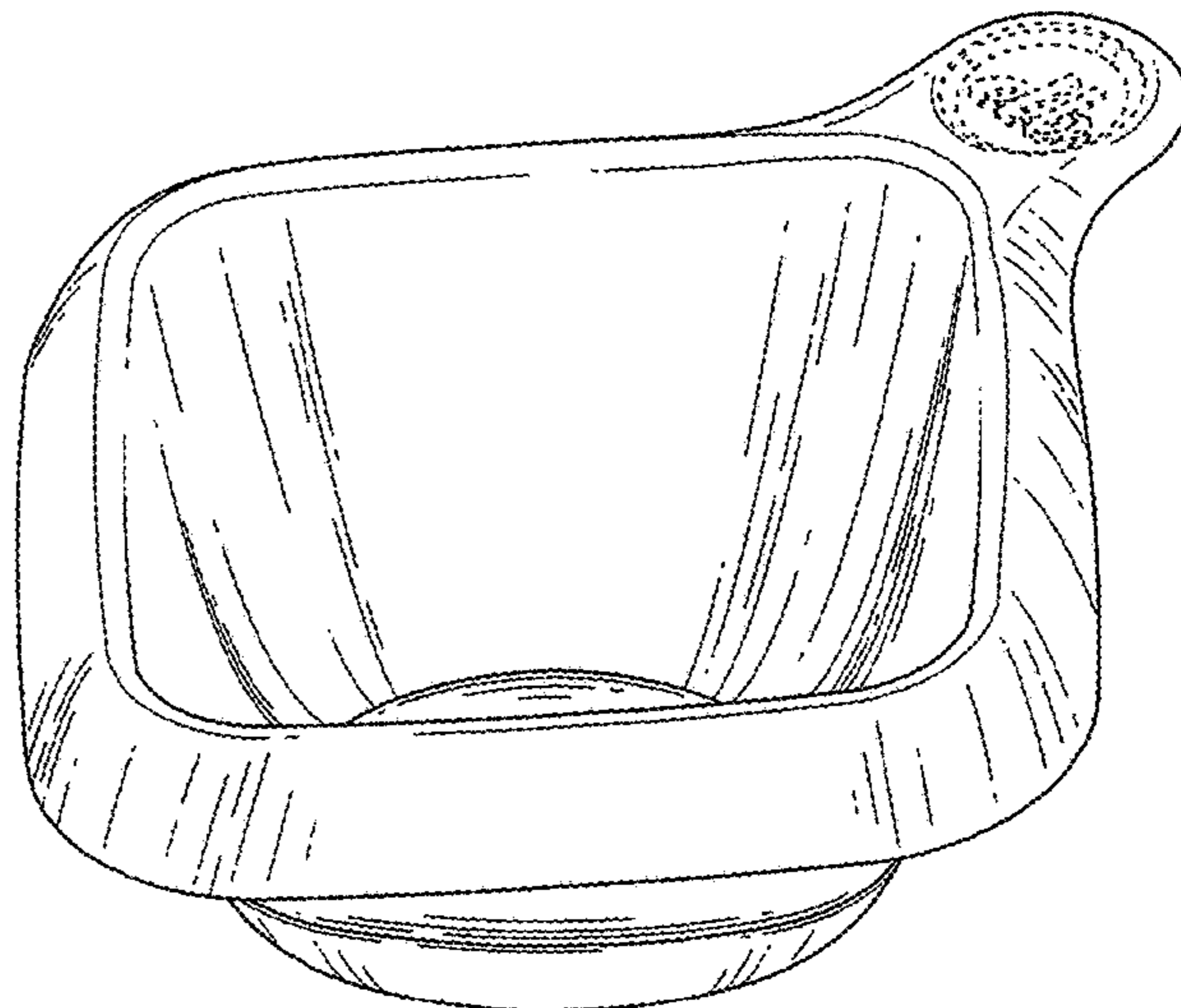
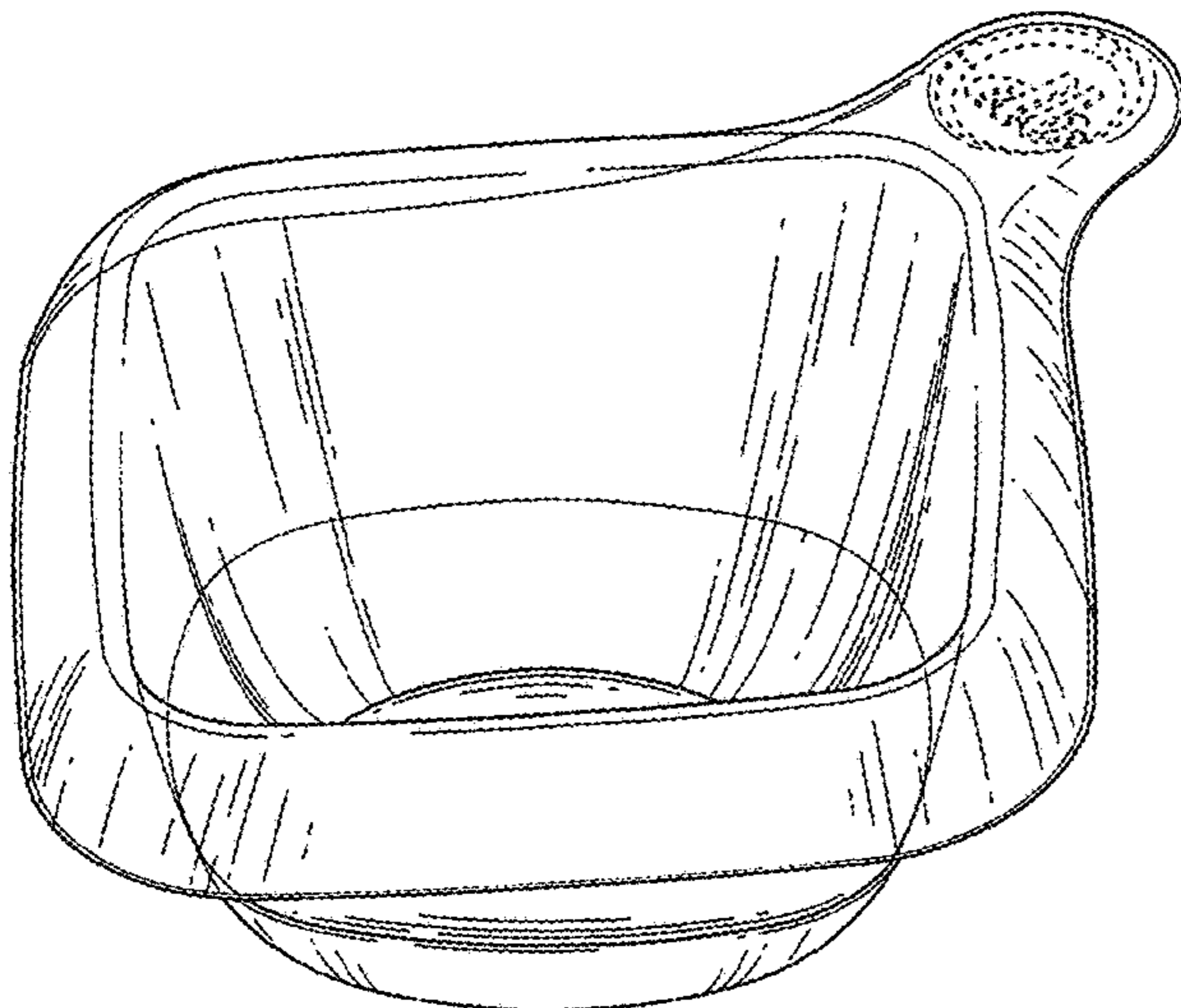
(57) **CLAIM**

The ornamental design for hair-tinting bowl, as shown and described.

DESCRIPTION

FIG. 1 is a top front isometric view of a transparent embodiment of the design.
 FIG. 2 is a bottom rear isometric view of a transparent embodiment of the design.
 FIG. 3 is a front view of a transparent embodiment of the design.
 FIG. 4 is a rear view of a transparent embodiment of the design.
 FIG. 5 is a left view of a transparent embodiment of the design.
 FIG. 6 is a right view of a transparent embodiment of the design.
 FIG. 7 is a top view of a transparent embodiment of the design.
 FIG. 8 is a bottom view of a transparent embodiment of the design.
 FIG. 9 is a top front isometric view of an opaque embodiment of the design.
 FIG. 10 is a bottom rear isometric view of an opaque embodiment of the design.
 FIG. 11 is a front view of an opaque embodiment of the design.
 FIG. 12 is a rear view of an opaque embodiment of the design.
 FIG. 13 is a left view of an opaque embodiment of the design.
 FIG. 14 is a right view of an opaque embodiment of the design.
 FIG. 15 is a top view of an opaque embodiment of the design; and,
 FIG. 16 is a bottom view of an opaque embodiment of the design.

1 Claim, 12 Drawing Sheets



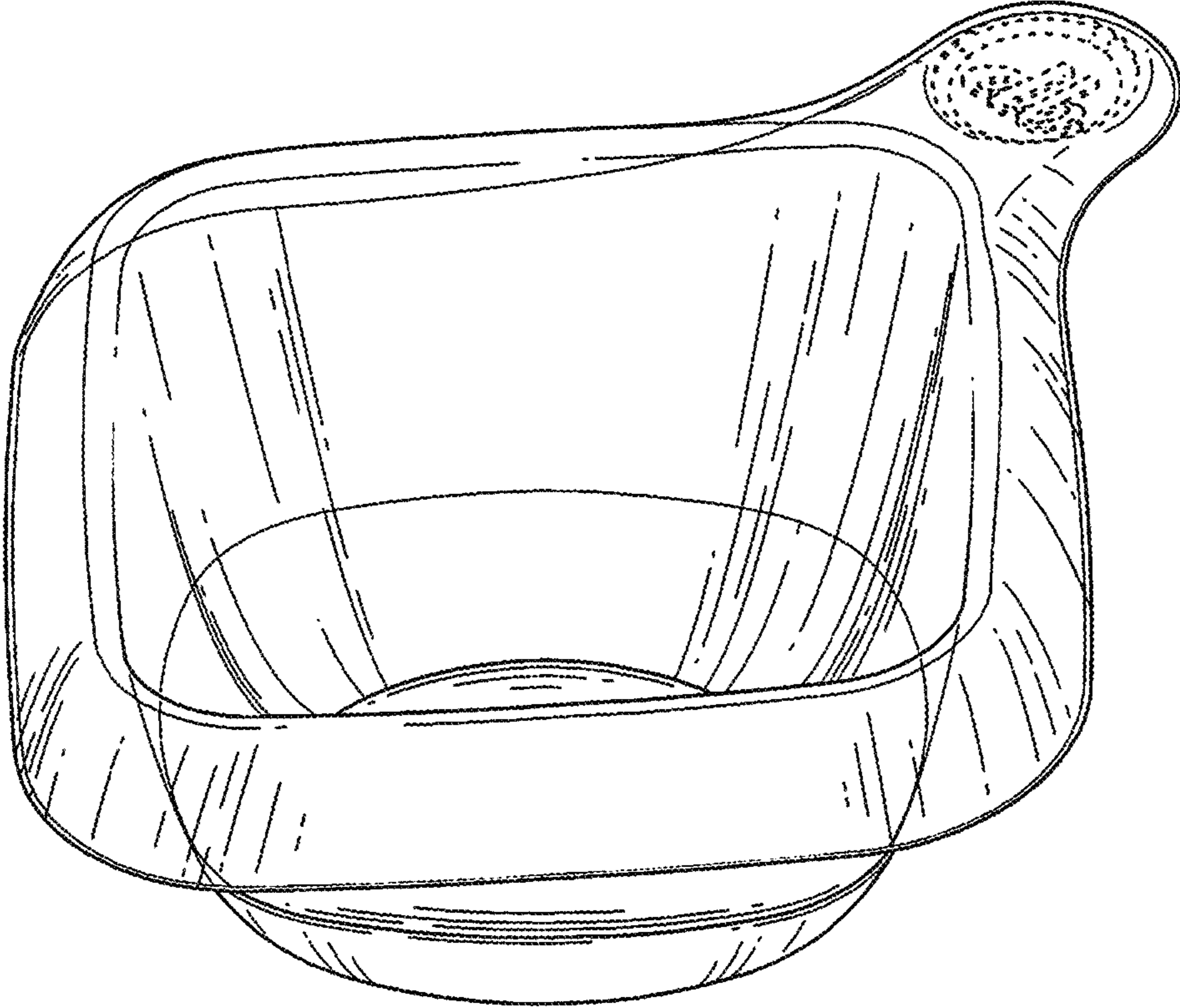


FIG. 1

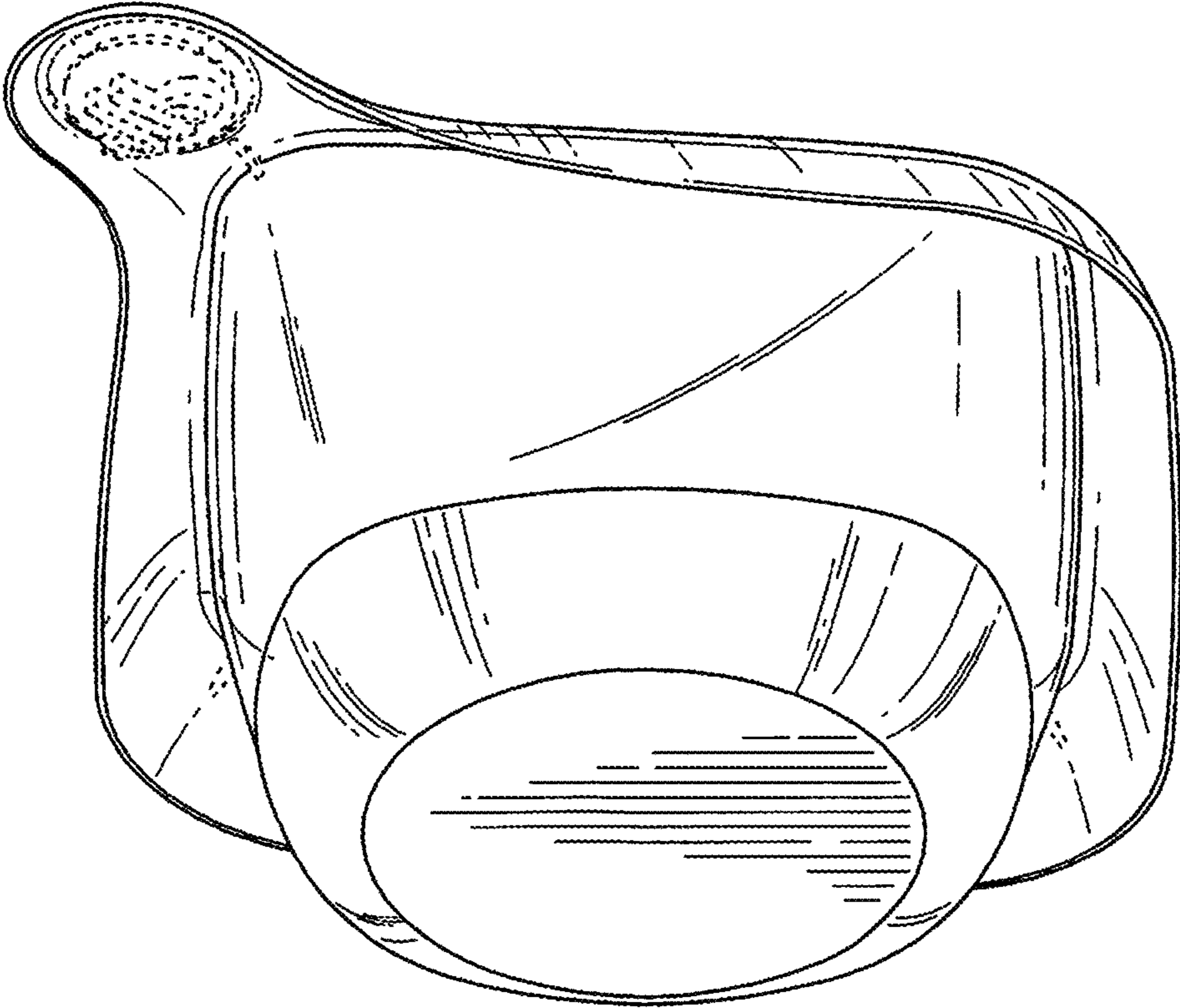


FIG. 2

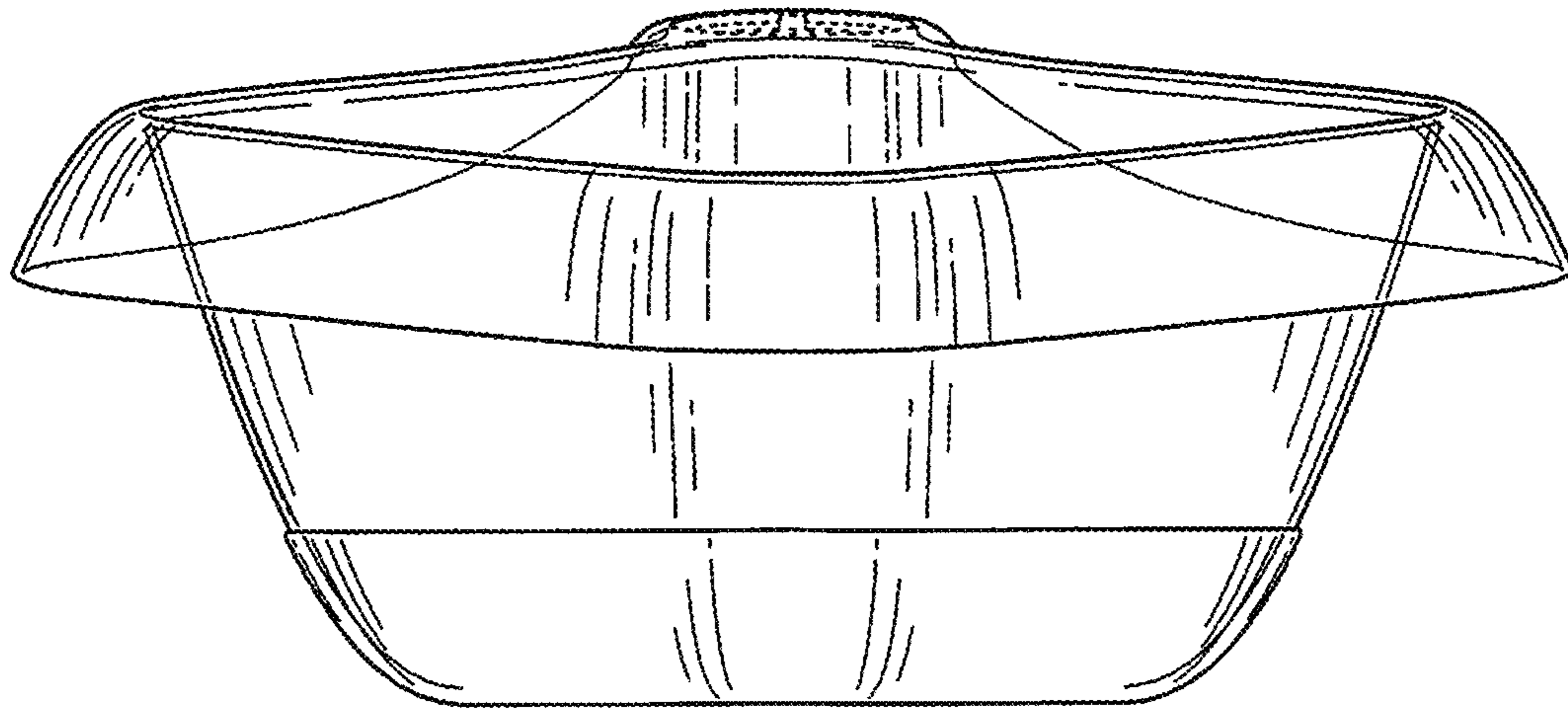


FIG. 3

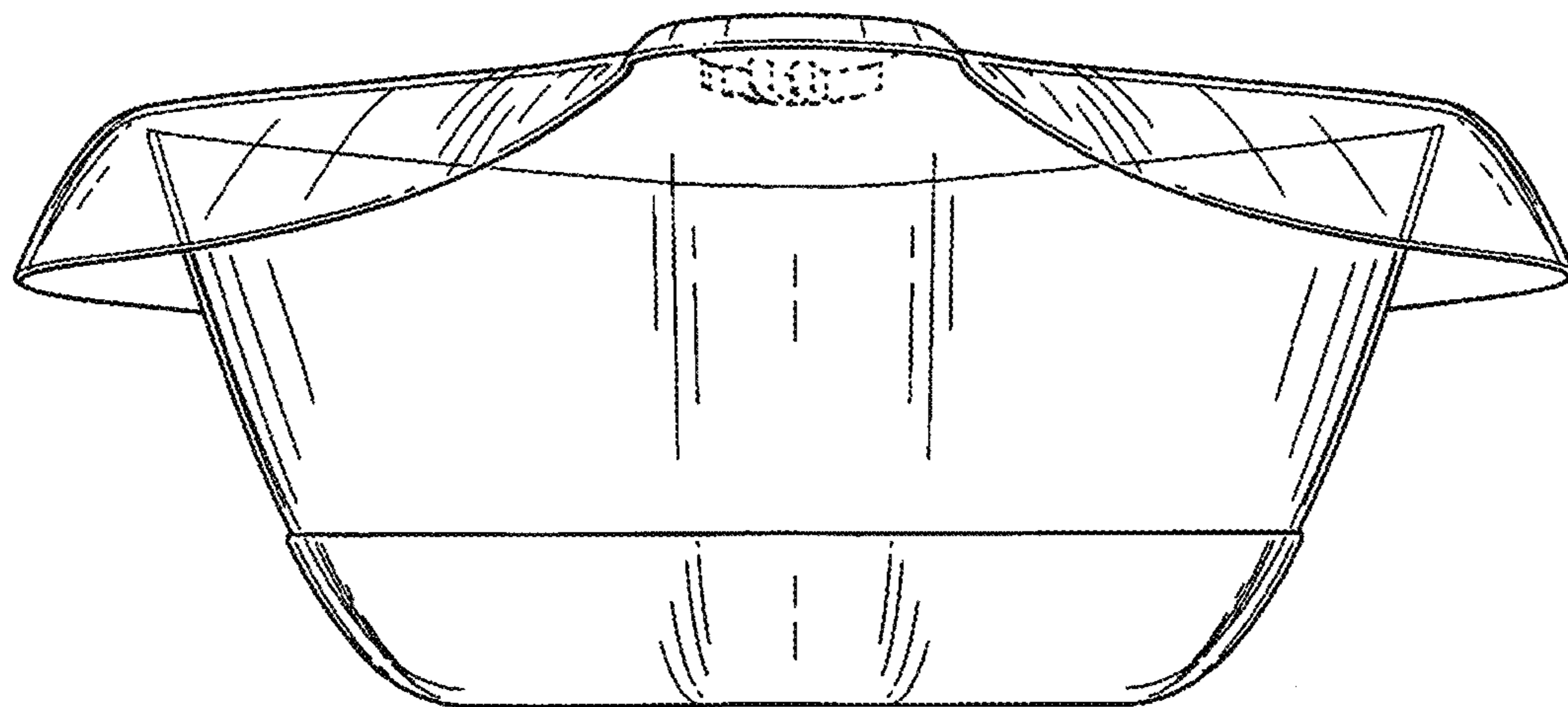


FIG. 4

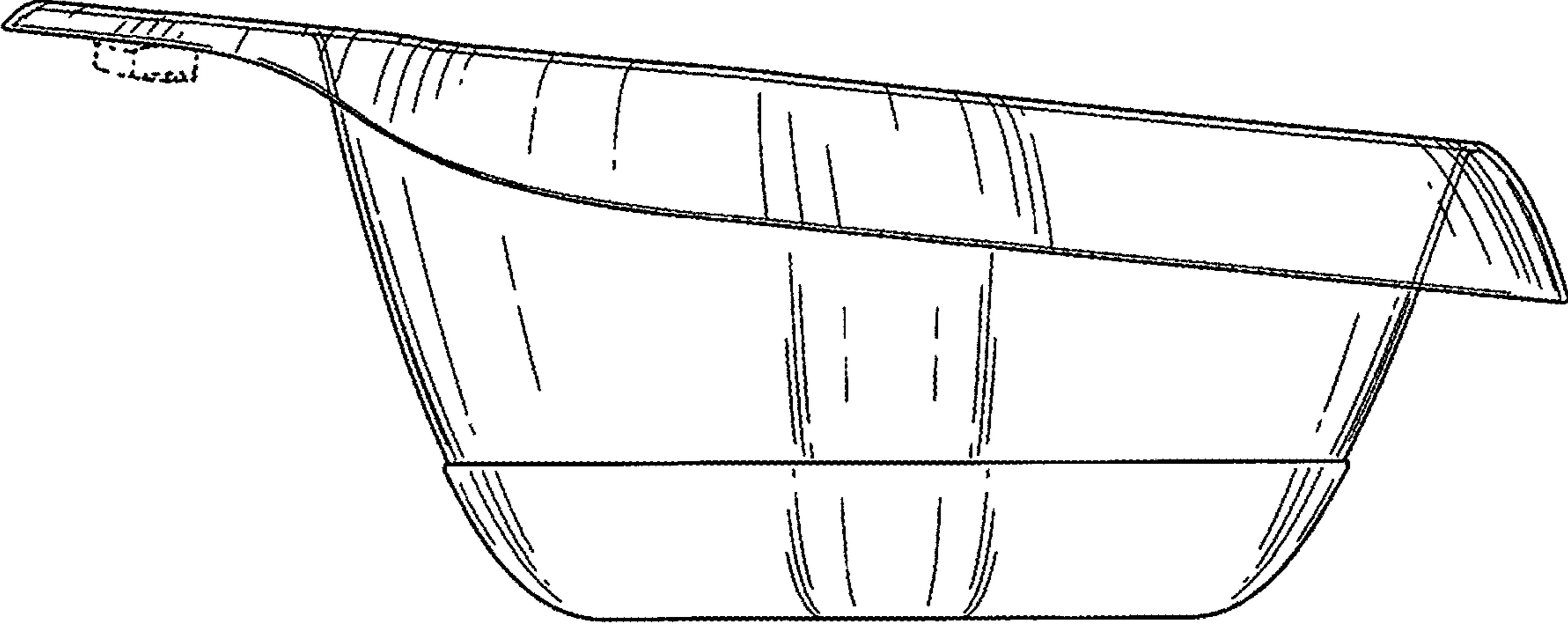


FIG. 5

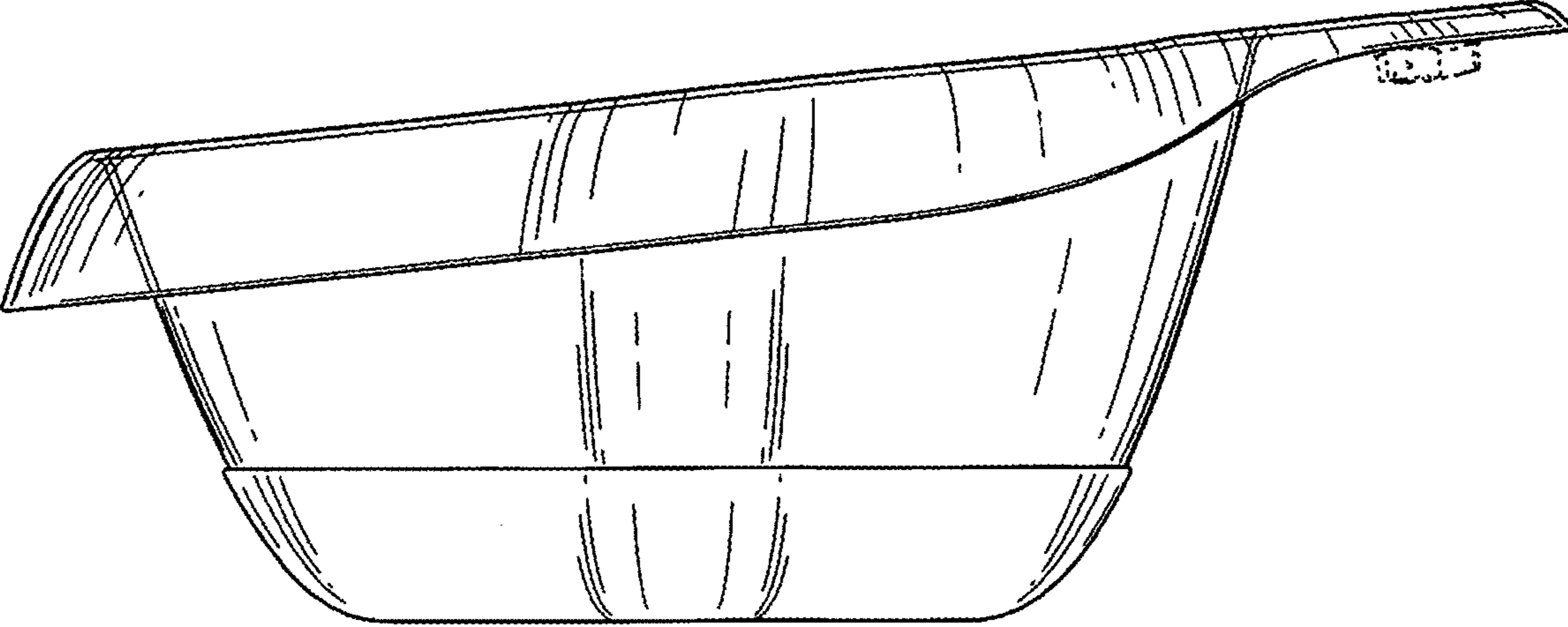


FIG. 6

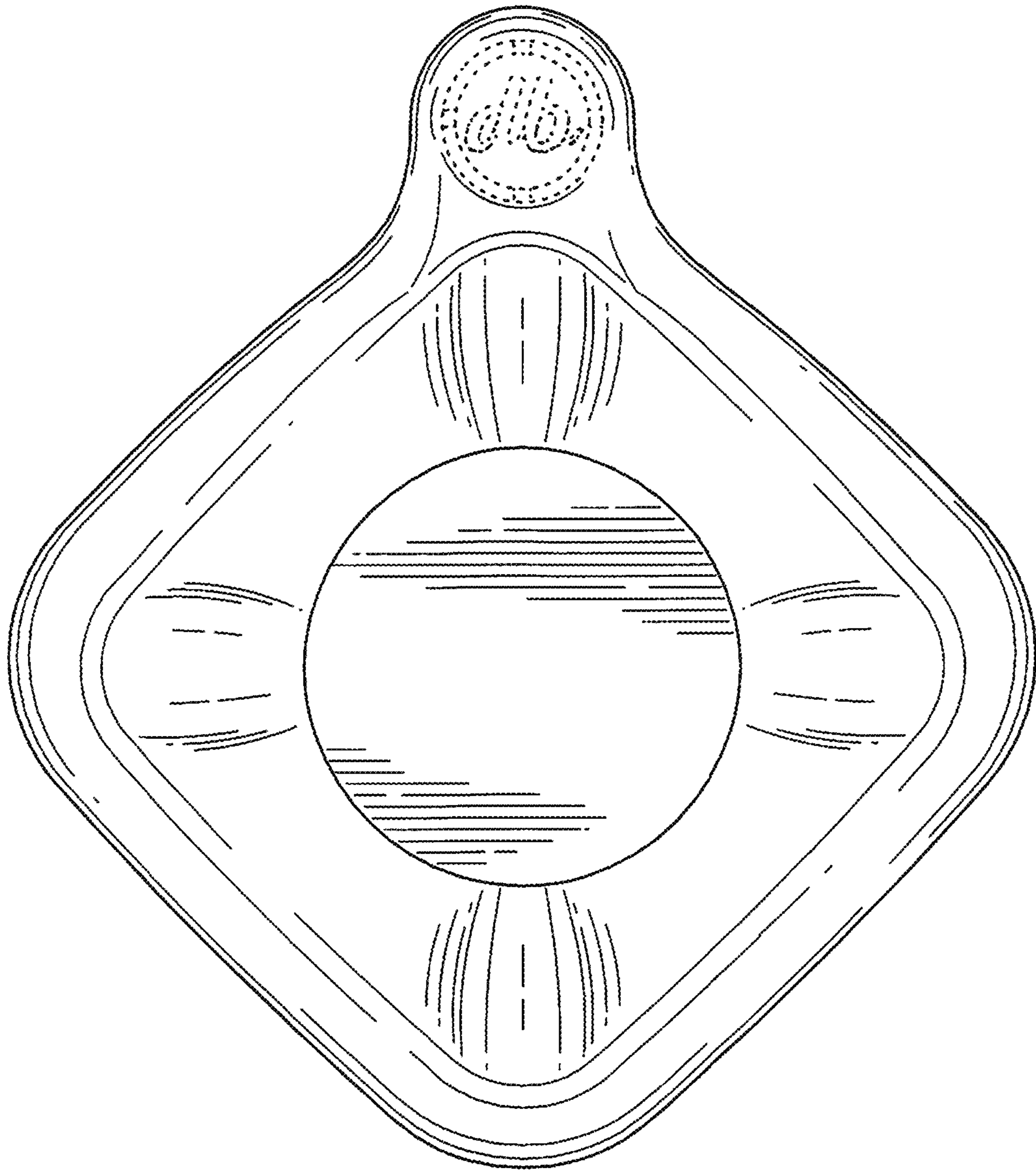


FIG. 7

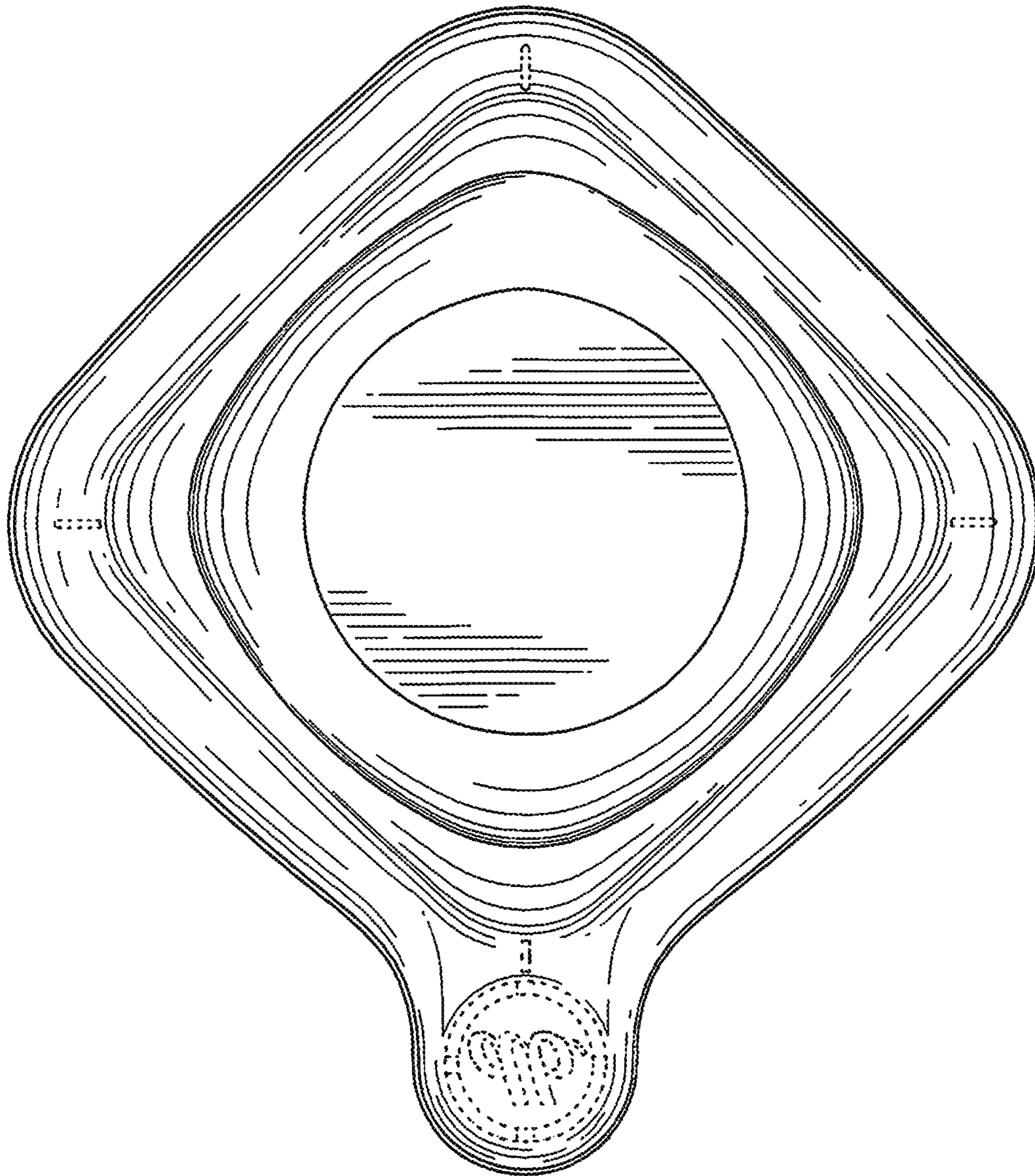


FIG. 8

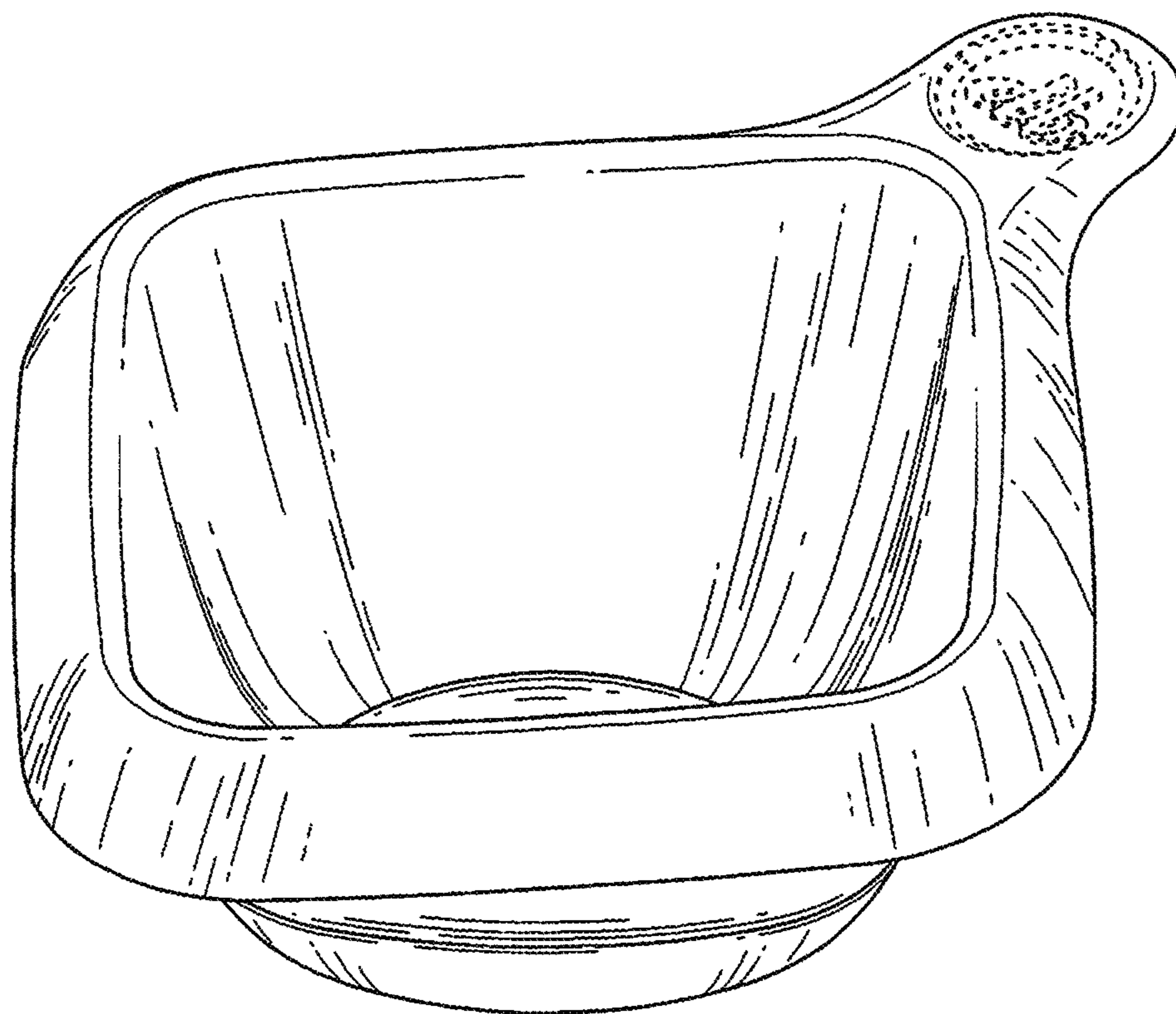


FIG. 9

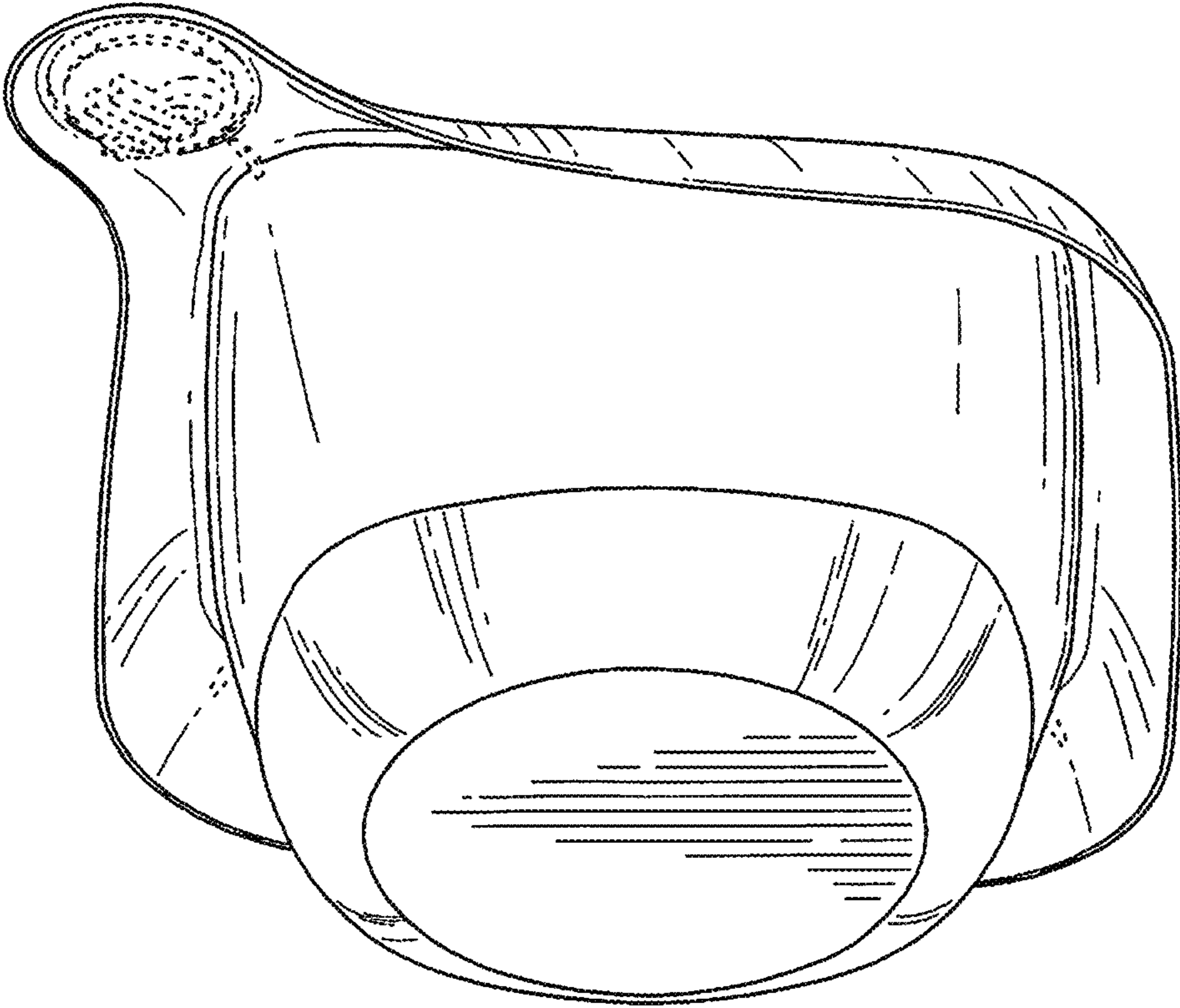


FIG. 10

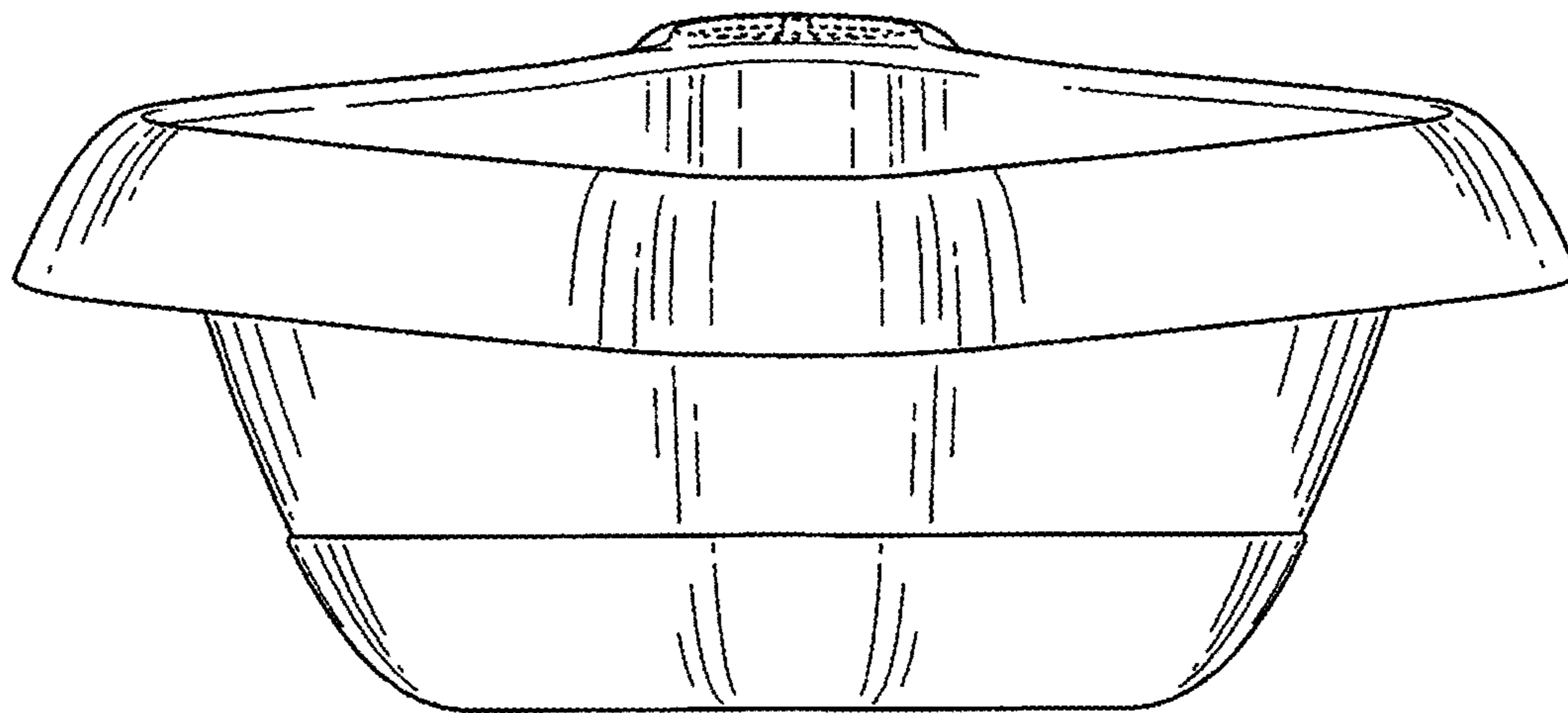


FIG. 11

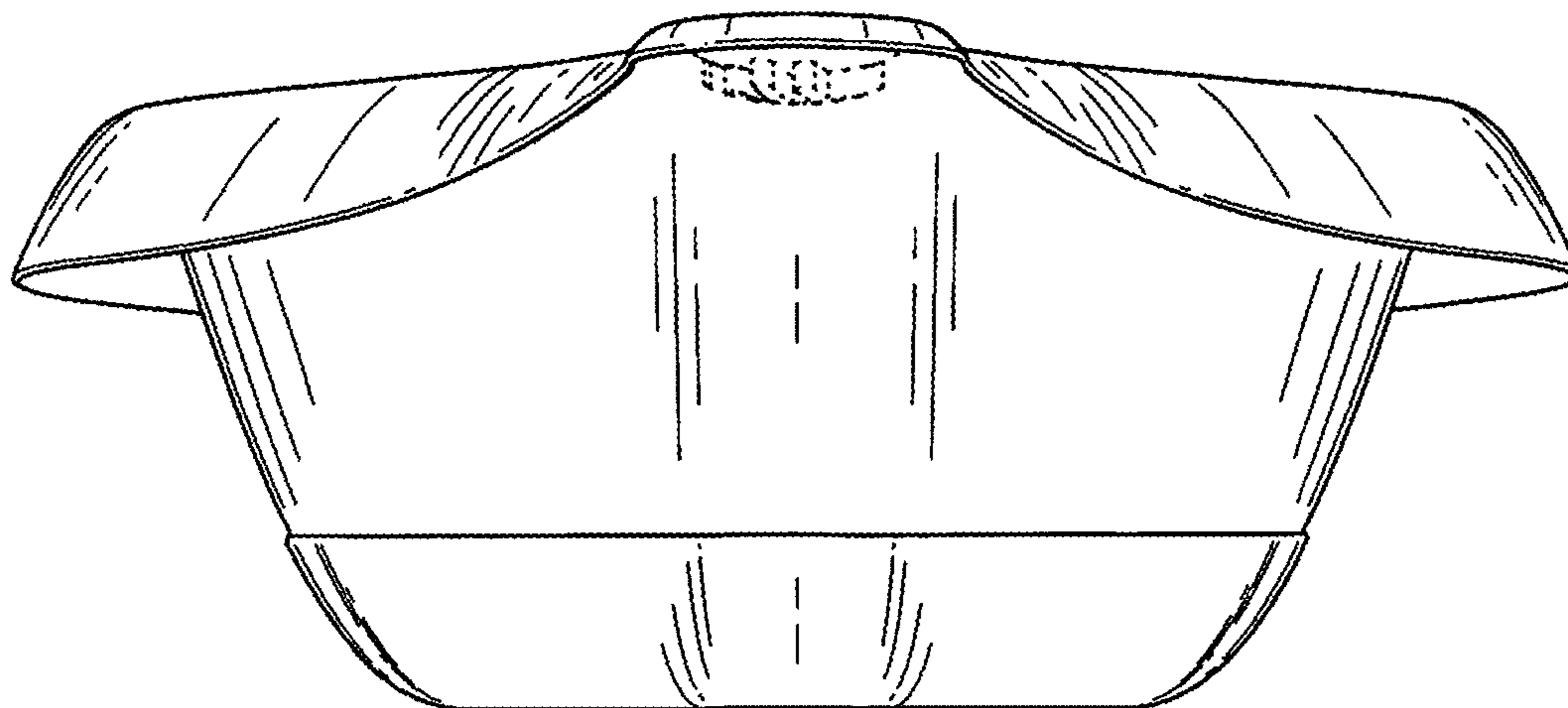


FIG. 12

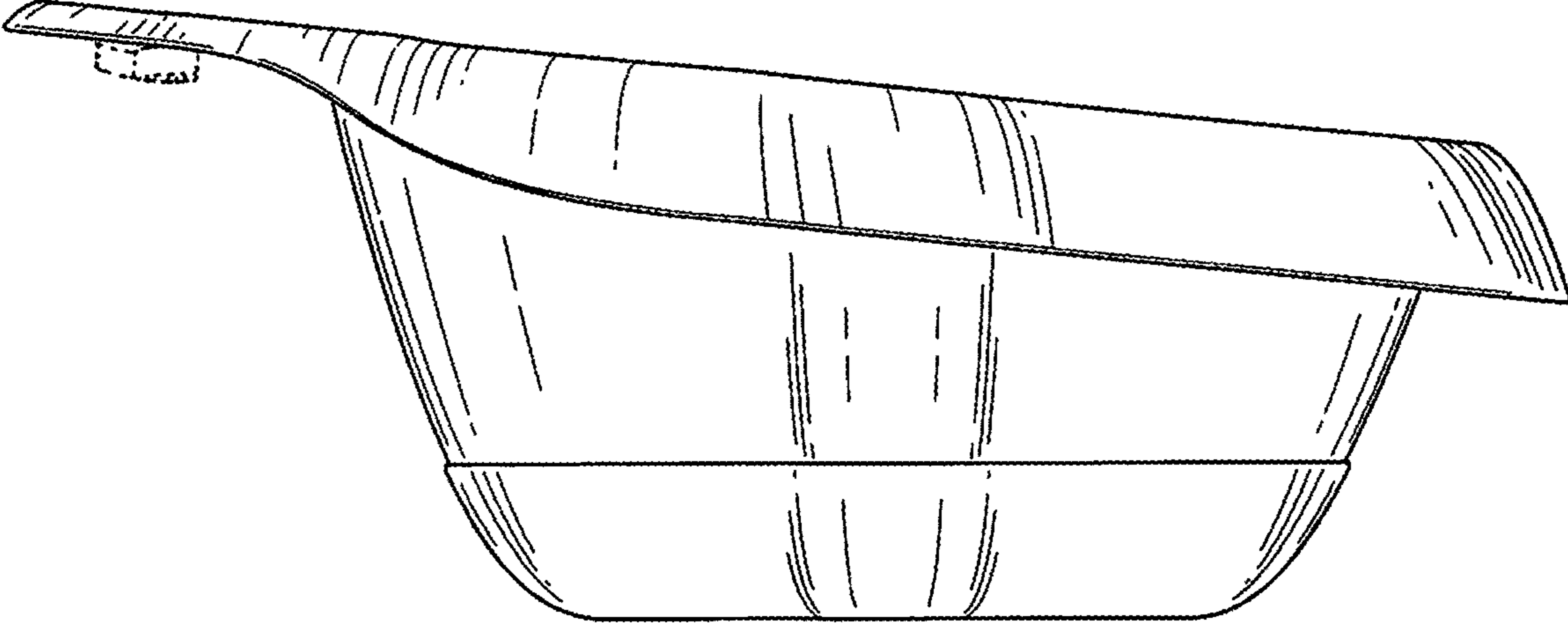


FIG. 13

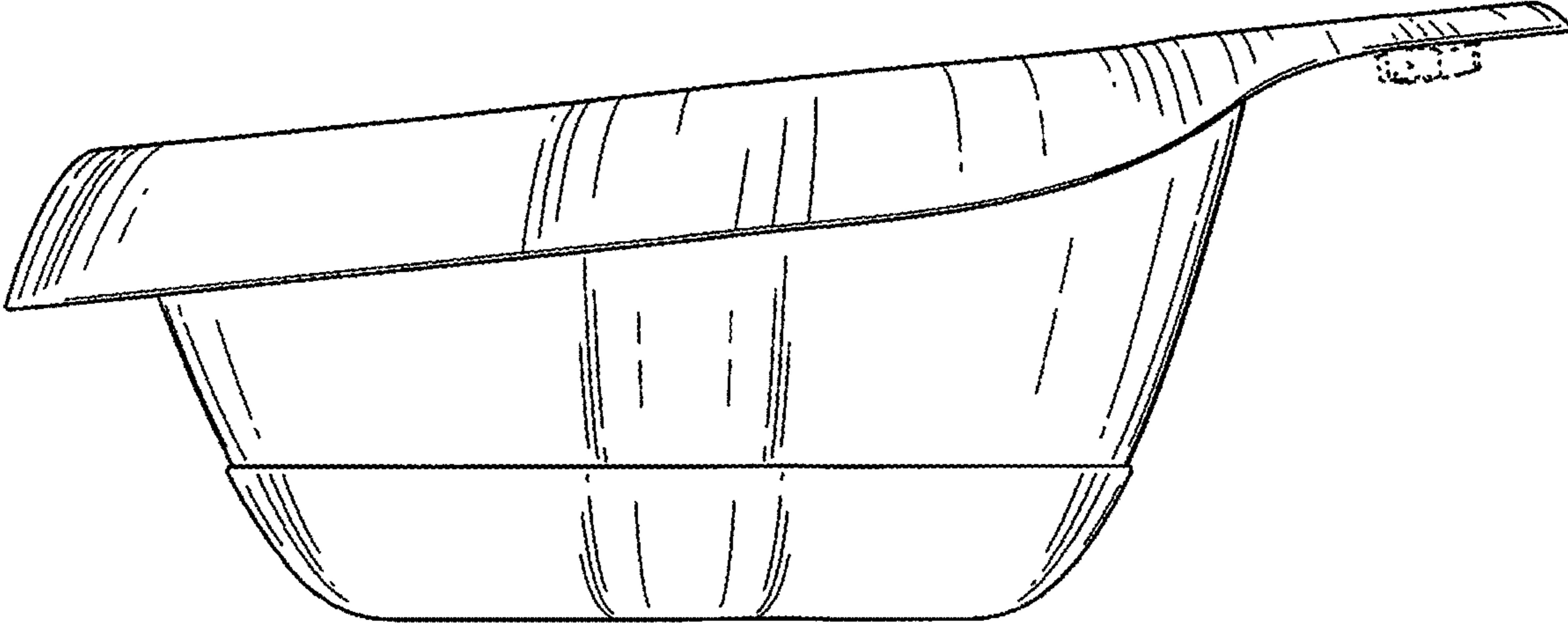


FIG. 14

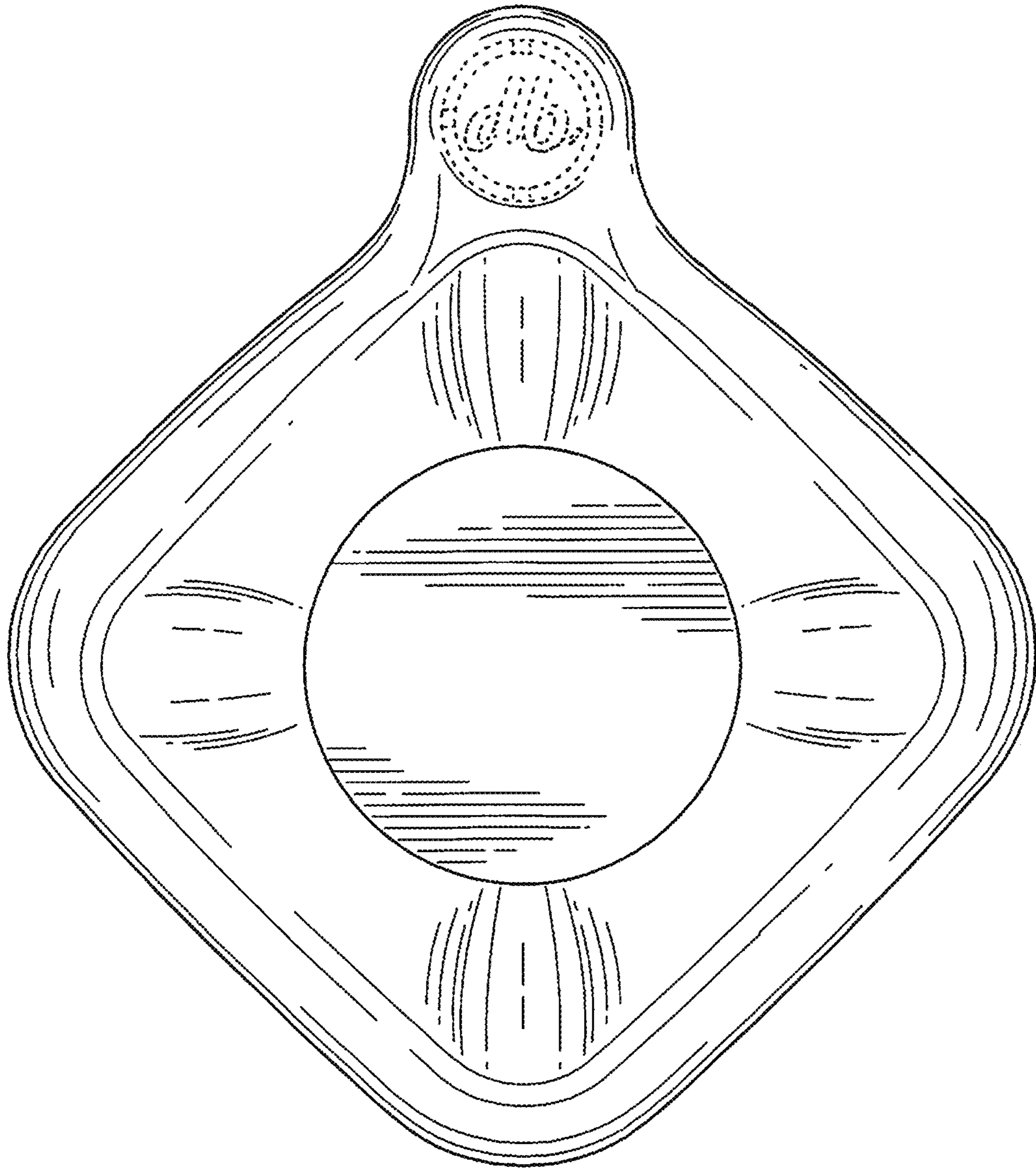


FIG. 15

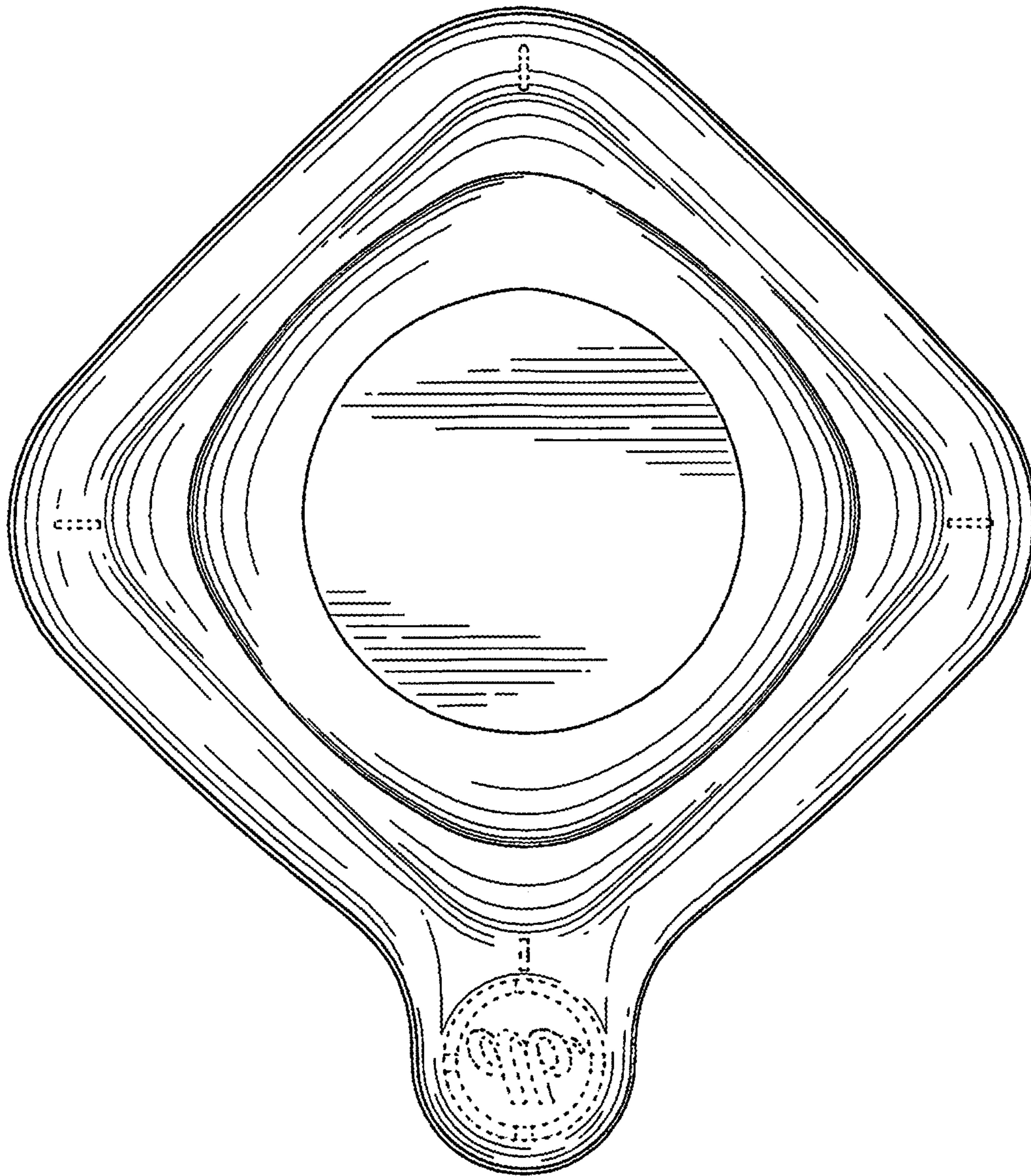


FIG. 16