

US00D890985S

(12) **United States Design Patent**
Attar

(10) **Patent No.:** **US D890,985 S**

(45) **Date of Patent:** **** Jul. 21, 2020**

(54) **CIGAR HOLDER**

(71) Applicant: **Arshia Attar**, Mission Viejo, CA (US)

(72) Inventor: **Arshia Attar**, Mission Viejo, CA (US)

(**) Term: **15 Years**

(21) Appl. No.: **29/672,324**

(22) Filed: **Dec. 4, 2018**

(51) **LOC (12) Cl.** **27-06**

(52) **U.S. Cl.**
USPC **D27/183**

(58) **Field of Classification Search**
USPC D27/183, 172, 180–182, 193; 131/257,
131/250, 260
CPC A24F 13/02; A24F 13/08; A24F 13/00;
A24F 13/12
See application file for complete search history.

(56) **References Cited**

U.S. PATENT DOCUMENTS

D244,302 S *	5/1977	Bradley	D27/104
D549,390 S *	8/2007	Tadych	D27/183
D736,454 S *	8/2015	Audibert	D27/183
D754,394 S *	4/2016	Byron	D27/181
D805,249 S *	12/2017	Casalino	D27/183
D819,883 S *	6/2018	Shotwell	D27/118
D819,884 S *	6/2018	Shotwell	D27/135

D844,238 S *	3/2019	Nellestein	D27/183
D844,239 S *	3/2019	Nellestein	D27/183
D846,184 S *	4/2019	Shotwell	D27/118
D846,185 S *	4/2019	Shotwell	D27/118
D857,986 S *	8/2019	Nellestein	D27/183
2017/0000186 A1 *	1/2017	Russell	A24F 13/12
2018/0140006 A1 *	5/2018	Shotwell	A24F 13/12

* cited by examiner

Primary Examiner — Marissa J Cash
Assistant Examiner — Rebecca Tsehaye
(74) *Attorney, Agent, or Firm* — David T. Bennett

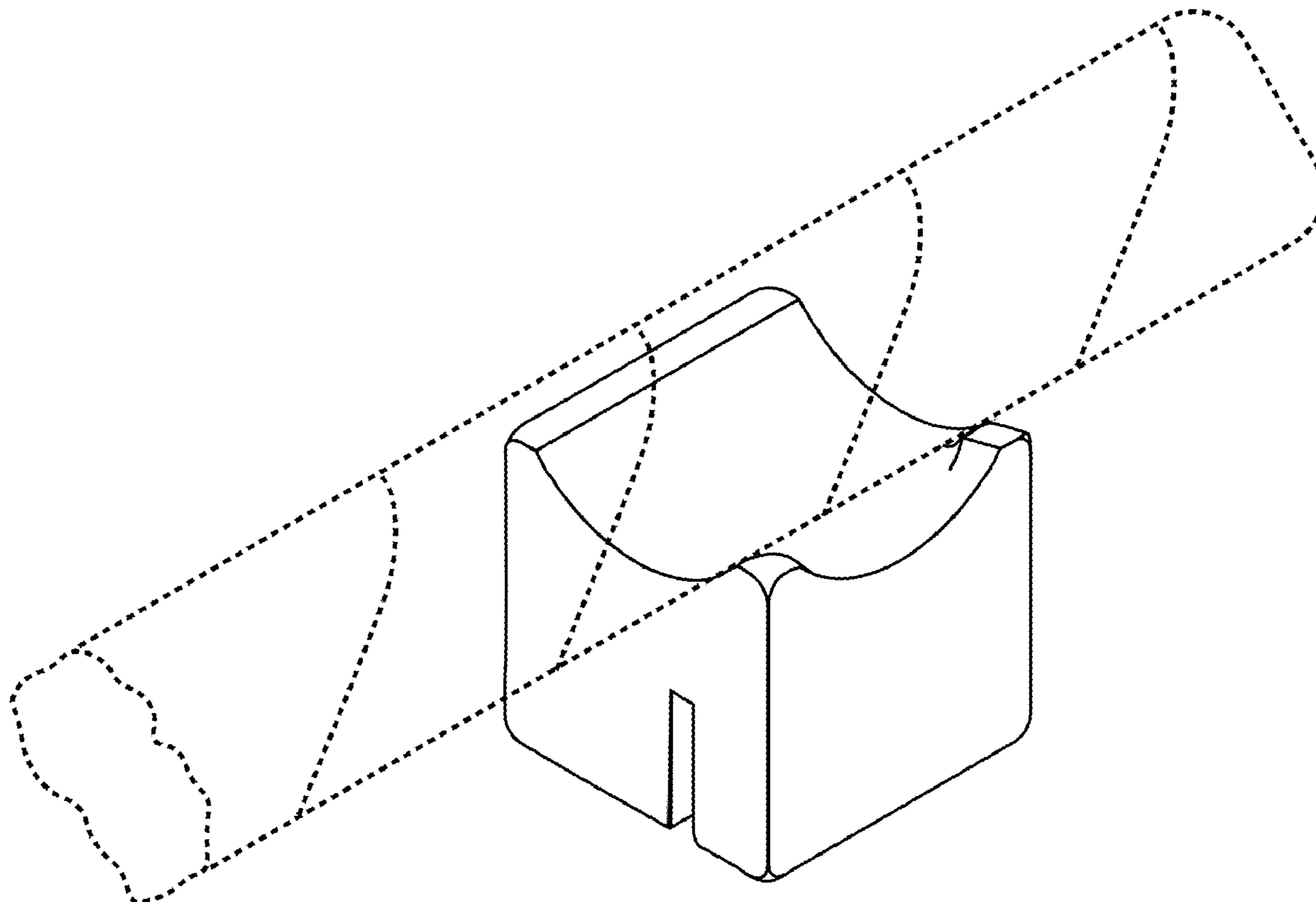
(57) **CLAIM**

The ornamental design for a cigar holder, as shown and described.

DESCRIPTION

FIG. 1 is a rear perspective view of a cigar holder with a cigar placed in one possible position on the cigar holder; FIG. 2 is a left perspective view thereof; FIG. 3 is a right perspective view thereof; FIG. 4 is a front perspective view thereof; FIG. 5 is a front view thereof; FIG. 6 is a left view thereof; FIG. 7 is a right view thereof; FIG. 8 is a rear view thereof; FIG. 9 is a bottom view thereof; and, FIG. 10 is a top view thereof. The broken lines in the drawings illustrate environmental subject matter and form no part of the claimed design.

1 Claim, 10 Drawing Sheets



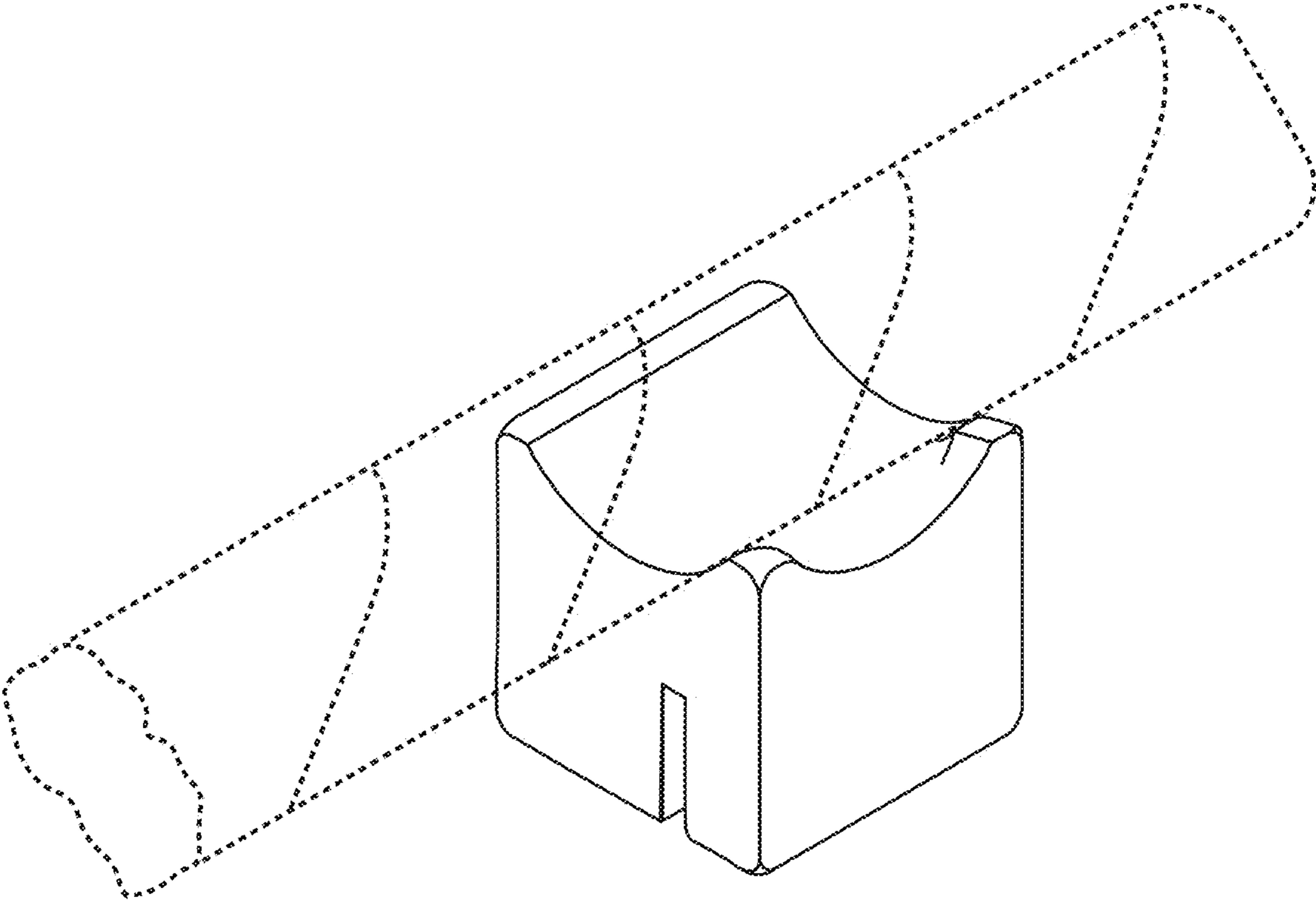


Fig. 1

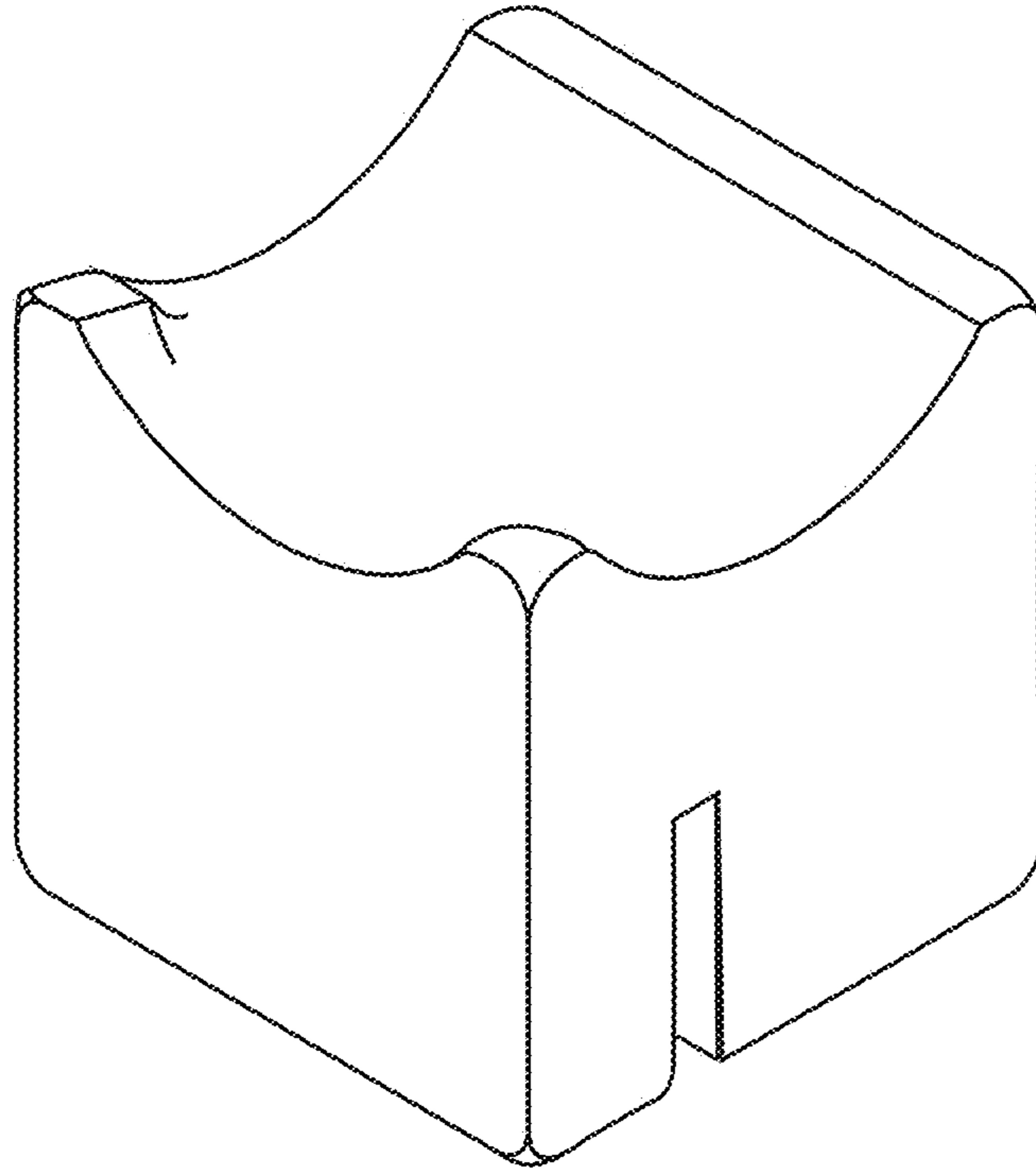


Fig. 2

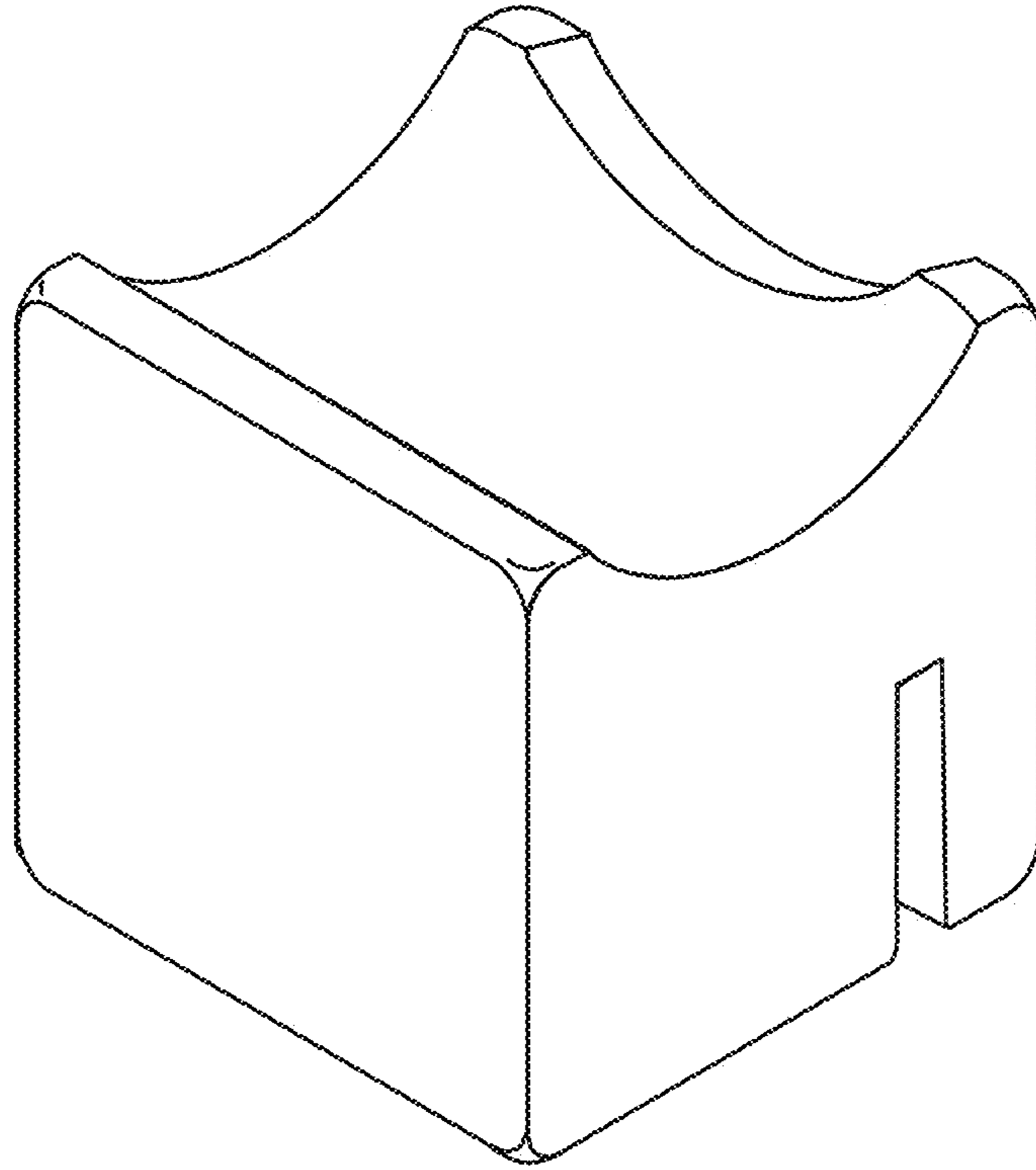


Fig. 3

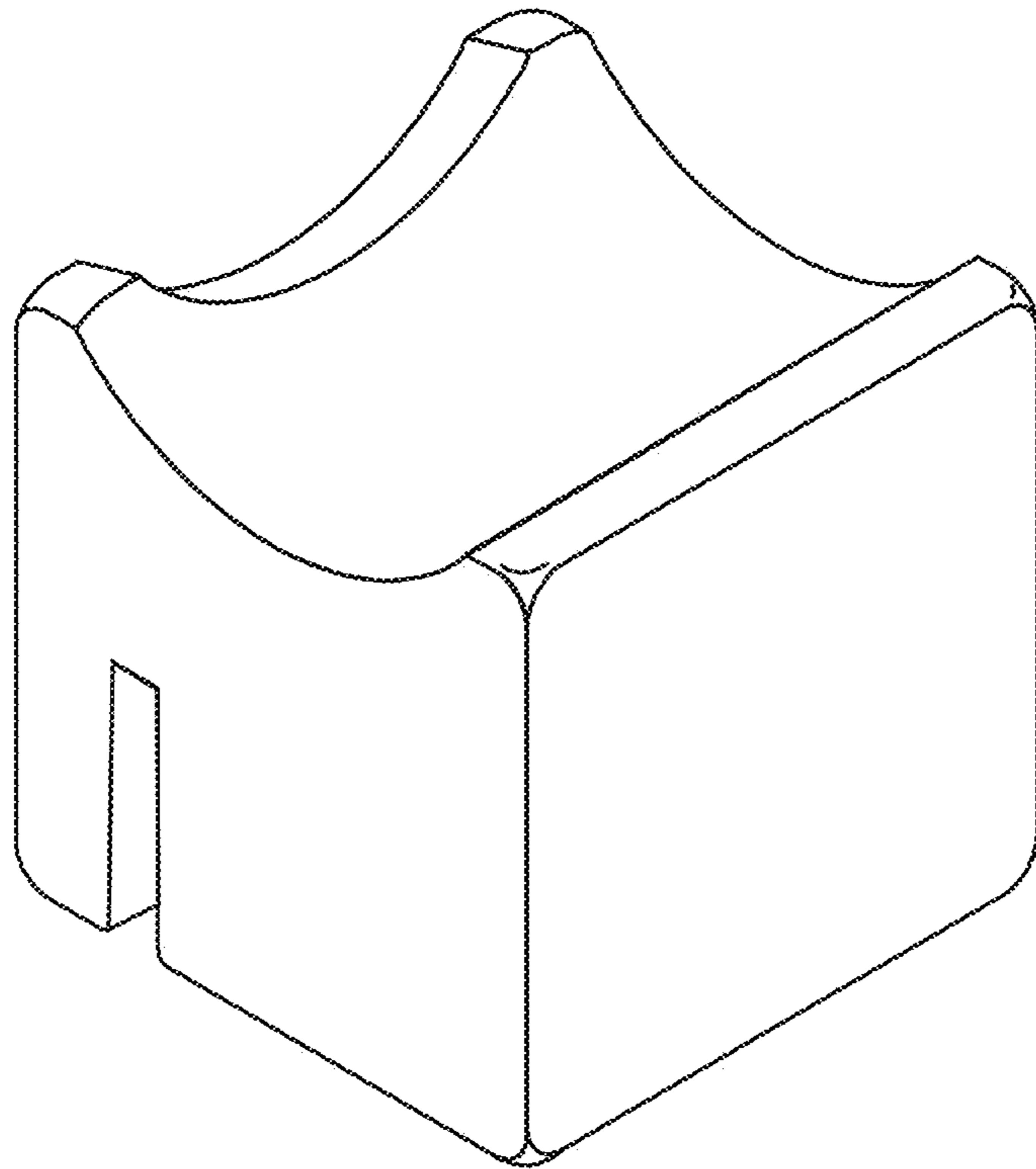


Fig. 4

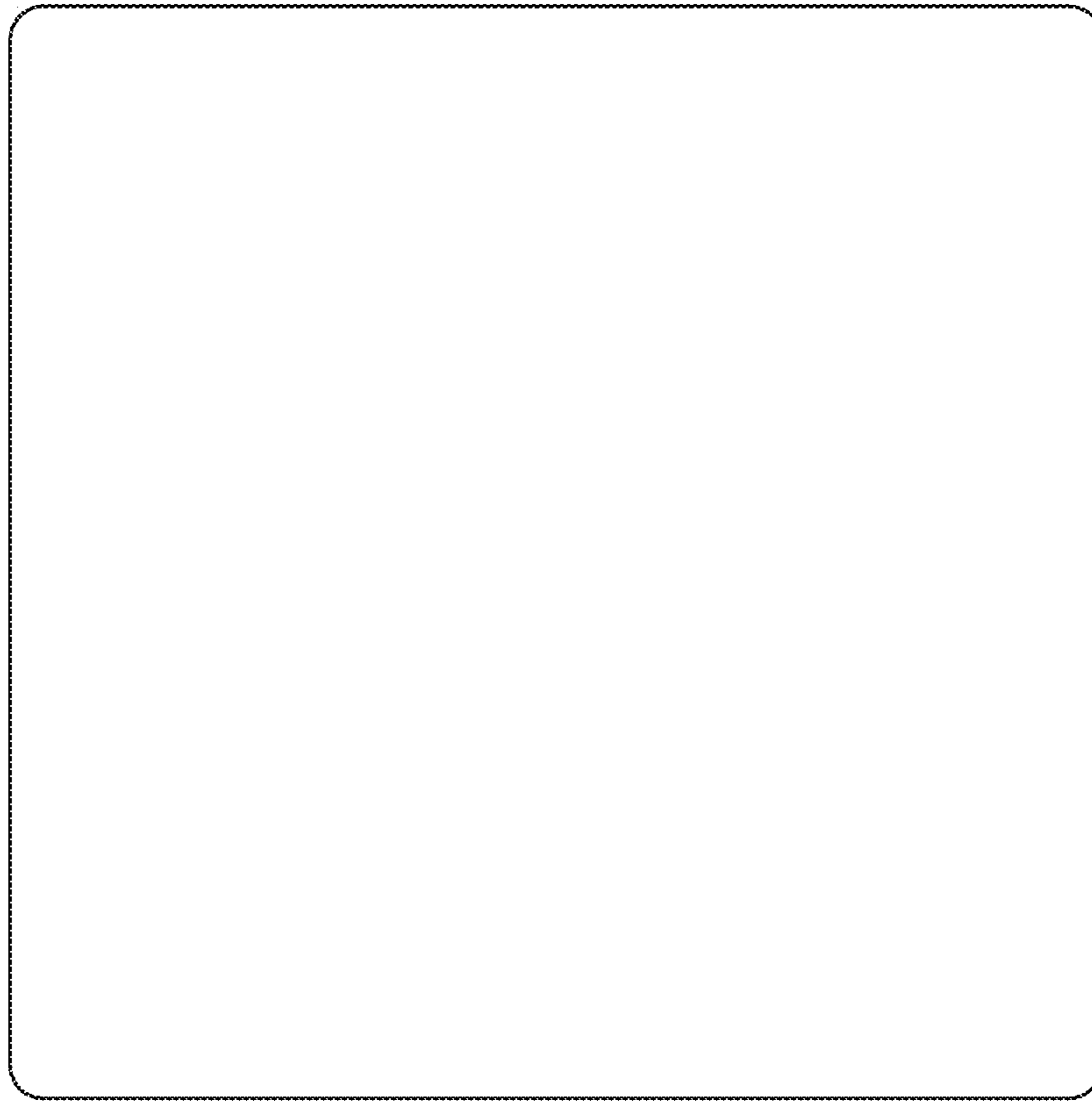


Fig. 5

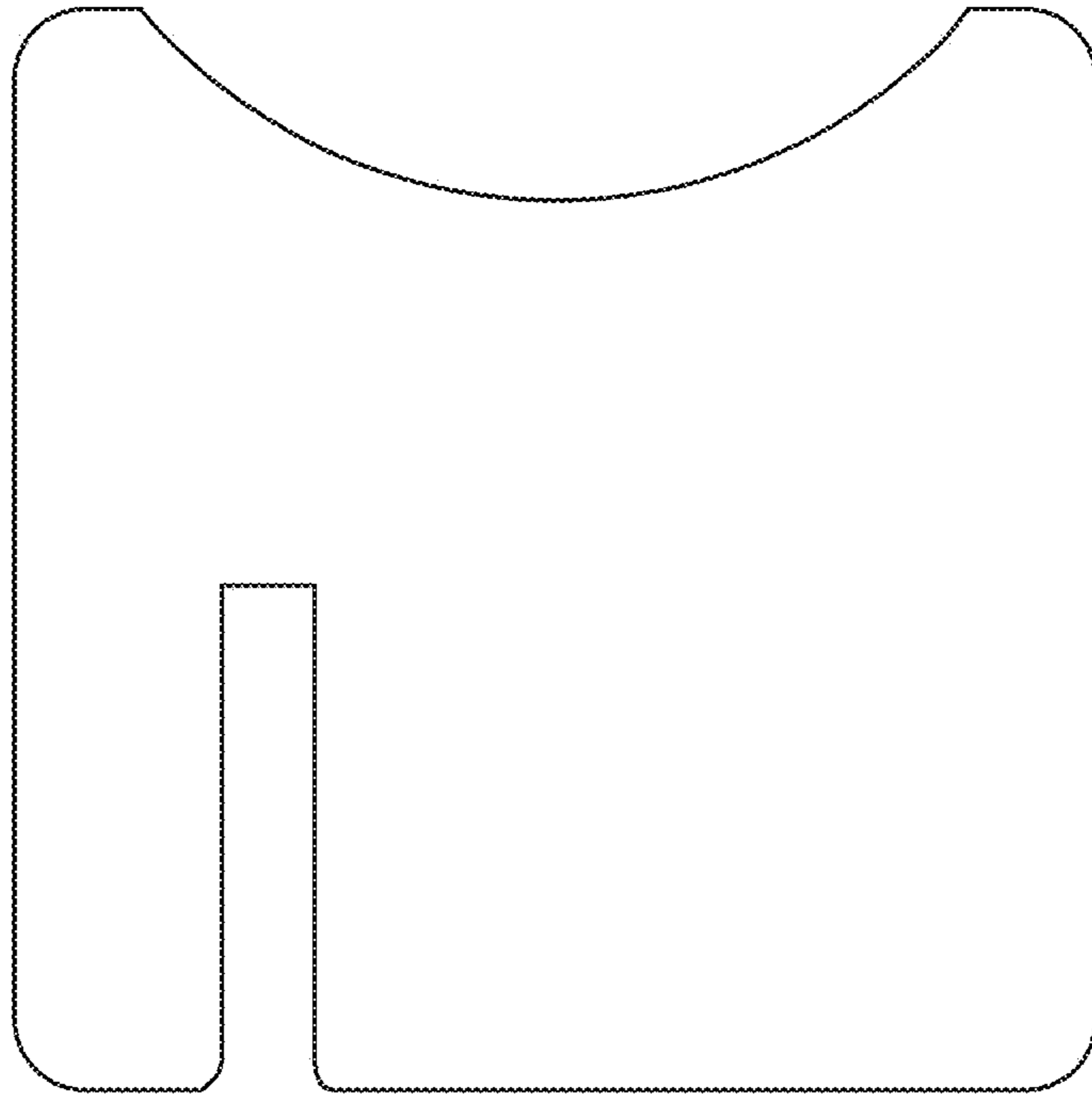


Fig. 6

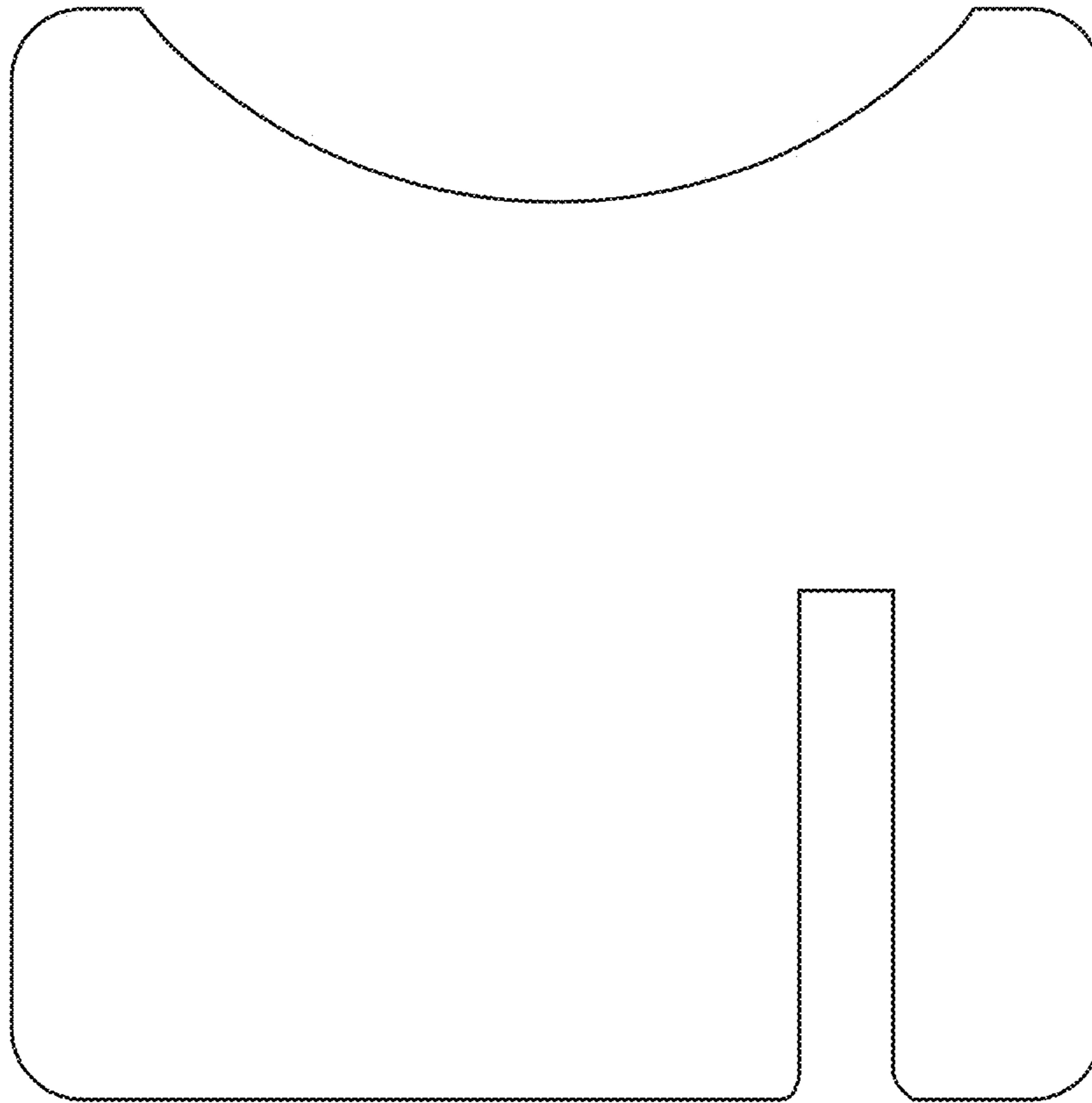


Fig. 7

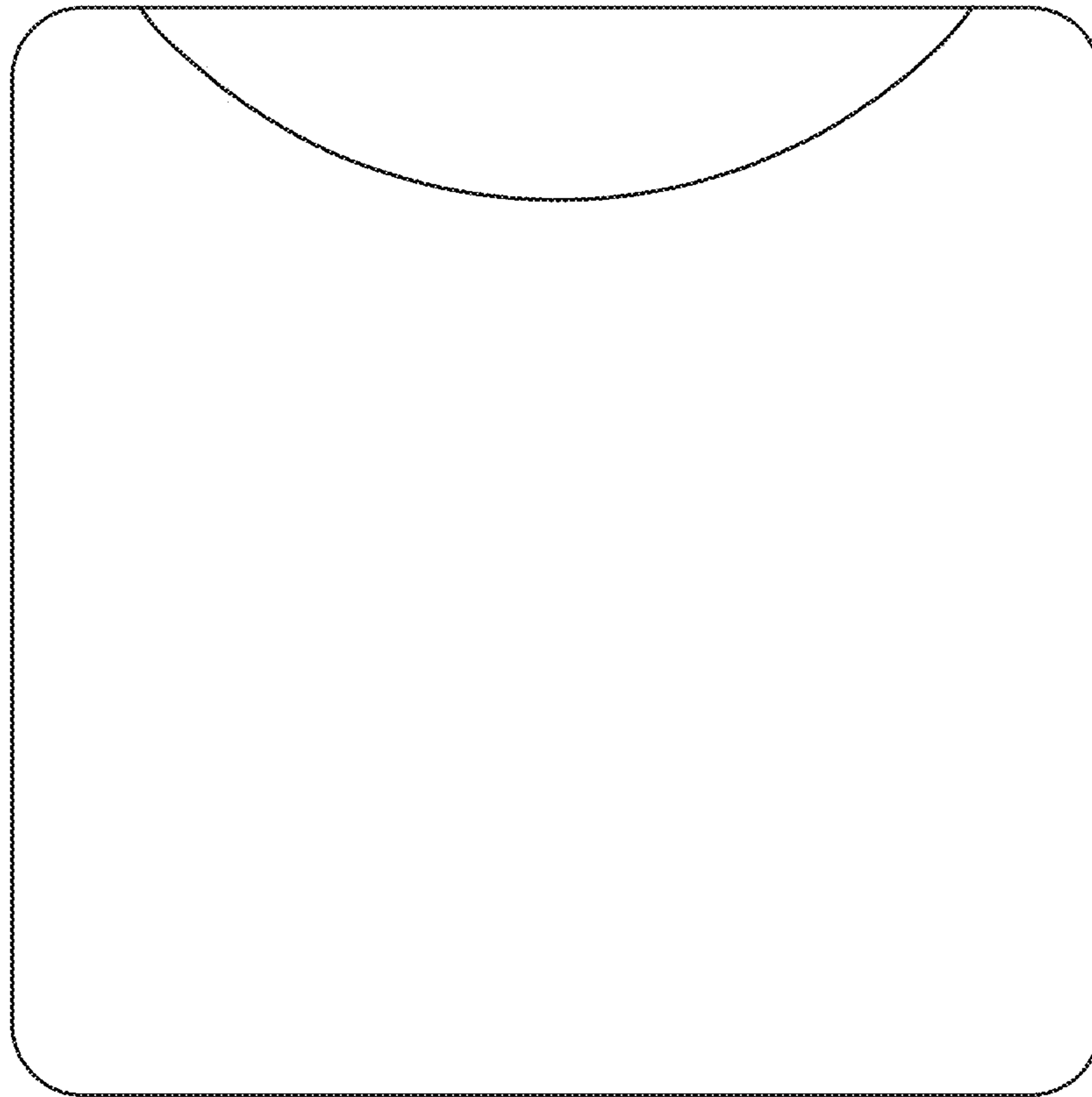


Fig. 8

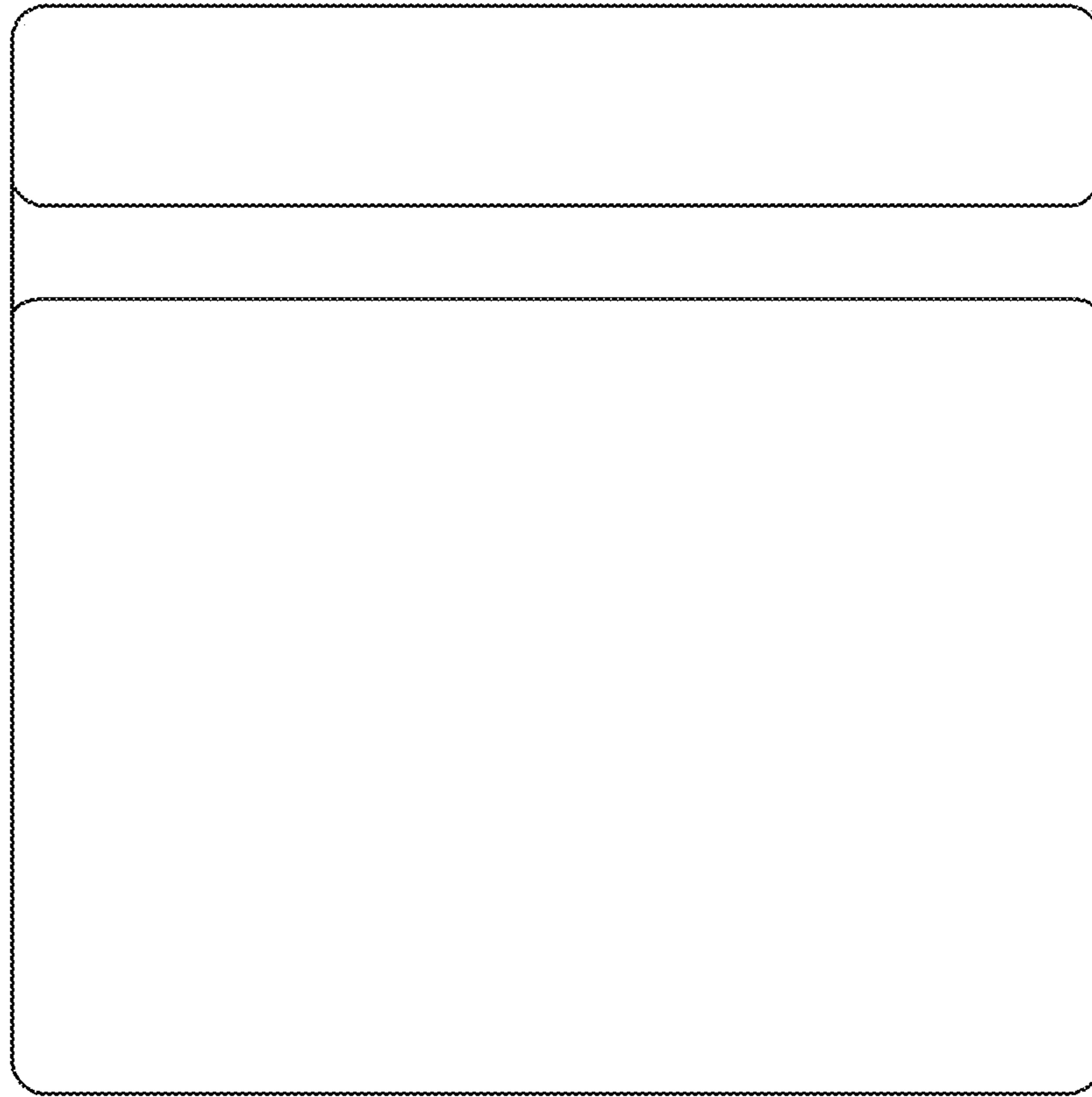


Fig. 9

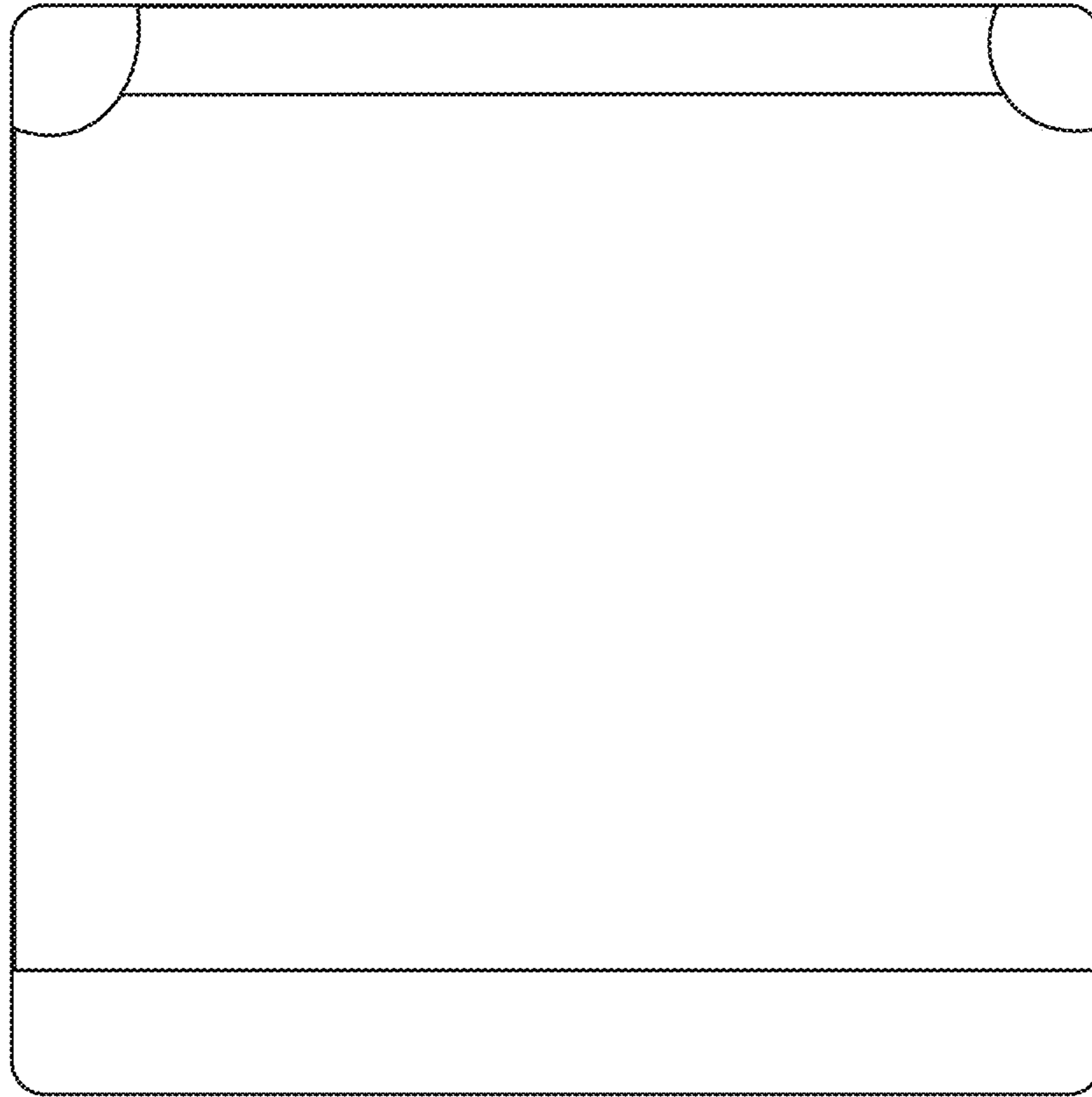


Fig. 10