



US00D890984S

(12) **United States Design Patent** (10) **Patent No.:** **US D890,984 S**  
**Buck** (45) **Date of Patent:** **\*\* Jul. 21, 2020**

(54) **ROLLING PAPERS WITH TAIL** 2010/0154808 A1\* 6/2010 Boll ..... A24D 1/00  
131/58  
(71) Applicant: **Justin Christopher Buck**, Upper 2011/0232655 A1\* 9/2011 Chan ..... A24C 5/00  
Marlboro, MD (US) 131/275  
(72) Inventor: **Justin Christopher Buck**, Upper 2013/0199551 A1\* 8/2013 Le Roux ..... A24C 5/471  
Marlboro, MD (US) 131/284  
2016/0174605 A1\* 6/2016 Dube ..... A24D 3/06  
131/331

(\*\*) Term: **15 Years**

(21) Appl. No.: **29/615,479**

(22) Filed: **Aug. 29, 2017**

(51) **LOC (12) Cl.** ..... **27-01**

(52) **U.S. Cl.**  
USPC ..... **D27/101**

(58) **Field of Classification Search**  
USPC ..... D27/100, 10; 131/280, 27.1, 28, 32, 58,  
131/77, 328  
CPC .... A24C 5/00; A24C 5/40; A24C 5/44; A24C  
5/46; A24D 1/00  
See application file for complete search history.

(56) **References Cited**

**U.S. PATENT DOCUMENTS**

4,203,453 A \* 5/1980 Leclerc ..... A24C 1/04  
131/280  
4,319,592 A \* 3/1982 Leclerc ..... A24C 1/04  
131/365  
D405,220 S \* 2/1999 Dal Monte ..... D27/101  
6,206,008 B1 \* 3/2001 Matteau ..... A24C 5/40  
131/331  
D528,166 S \* 9/2006 Wright ..... D21/769  
D697,769 S \* 1/2014 Lion ..... D7/694  
D803,476 S \* 11/2017 Reaux ..... D27/101

\* cited by examiner

*Primary Examiner* — Susan Bennett Hattan  
*Assistant Examiner* — Rebecca Tsehaye  
(74) *Attorney, Agent, or Firm* — Gibraltar Consulting  
LLC; Tariq S. Najee-ullah

(57) **CLAIM**

The ornamental design for rolling papers with tail, as shown.

**DESCRIPTION**

FIG. 1 is a perspective view of rolling papers with tail showing our new design;  
FIG. 2 is a side view thereof;  
FIG. 3 is another side view thereof  
FIG. 4 is another side view thereof;  
FIG. 5 is another perspective view thereof;  
FIG. 6 is a top view thereof;  
FIG. 7 is another top view thereof;  
FIG. 8 is another side view thereof; and,  
FIG. 9 is another side view thereof.  
The broken lines in the drawings illustrate environmental subject matter only and form no part of the claimed design.

**1 Claim, 9 Drawing Sheets**

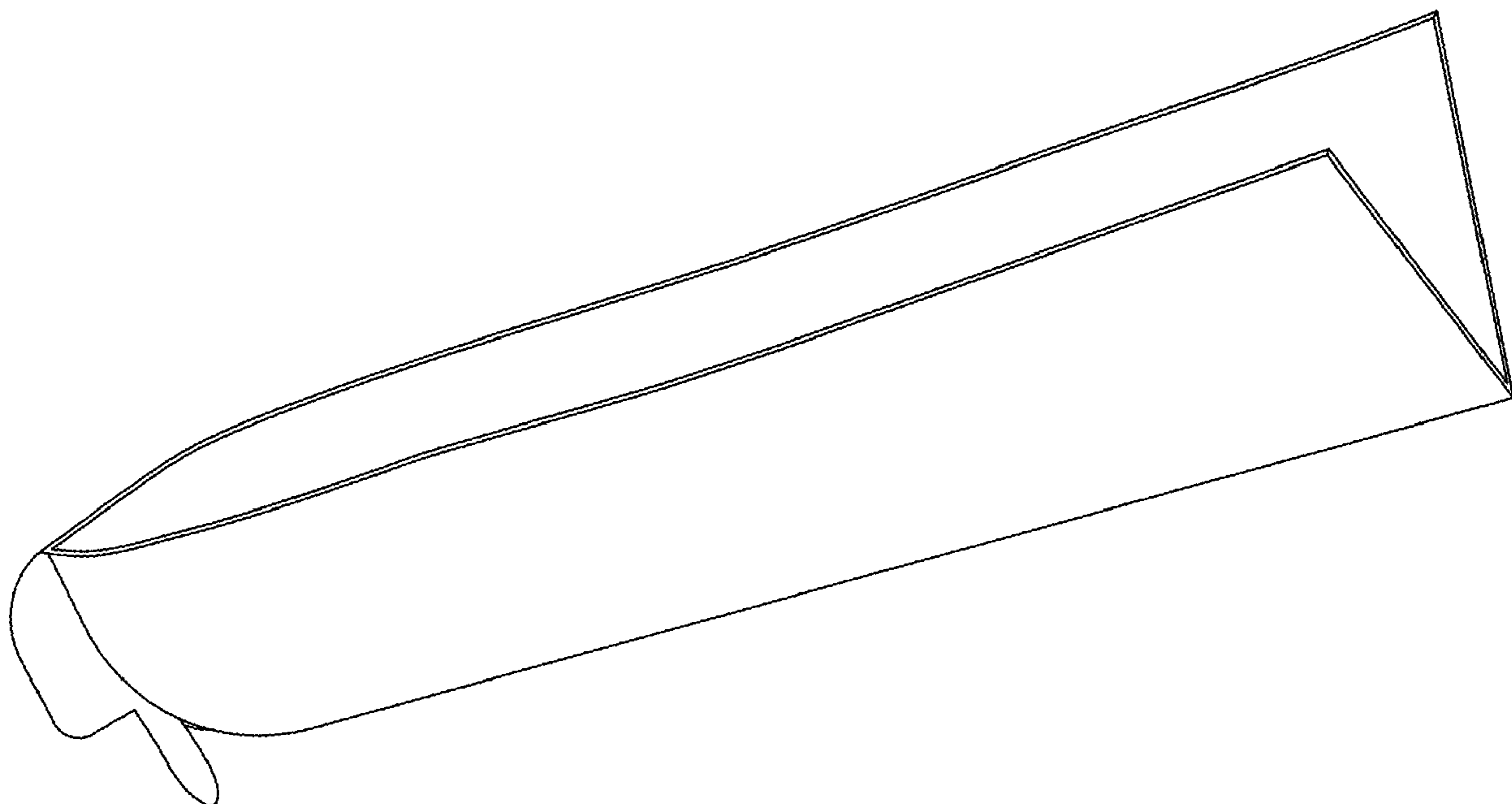
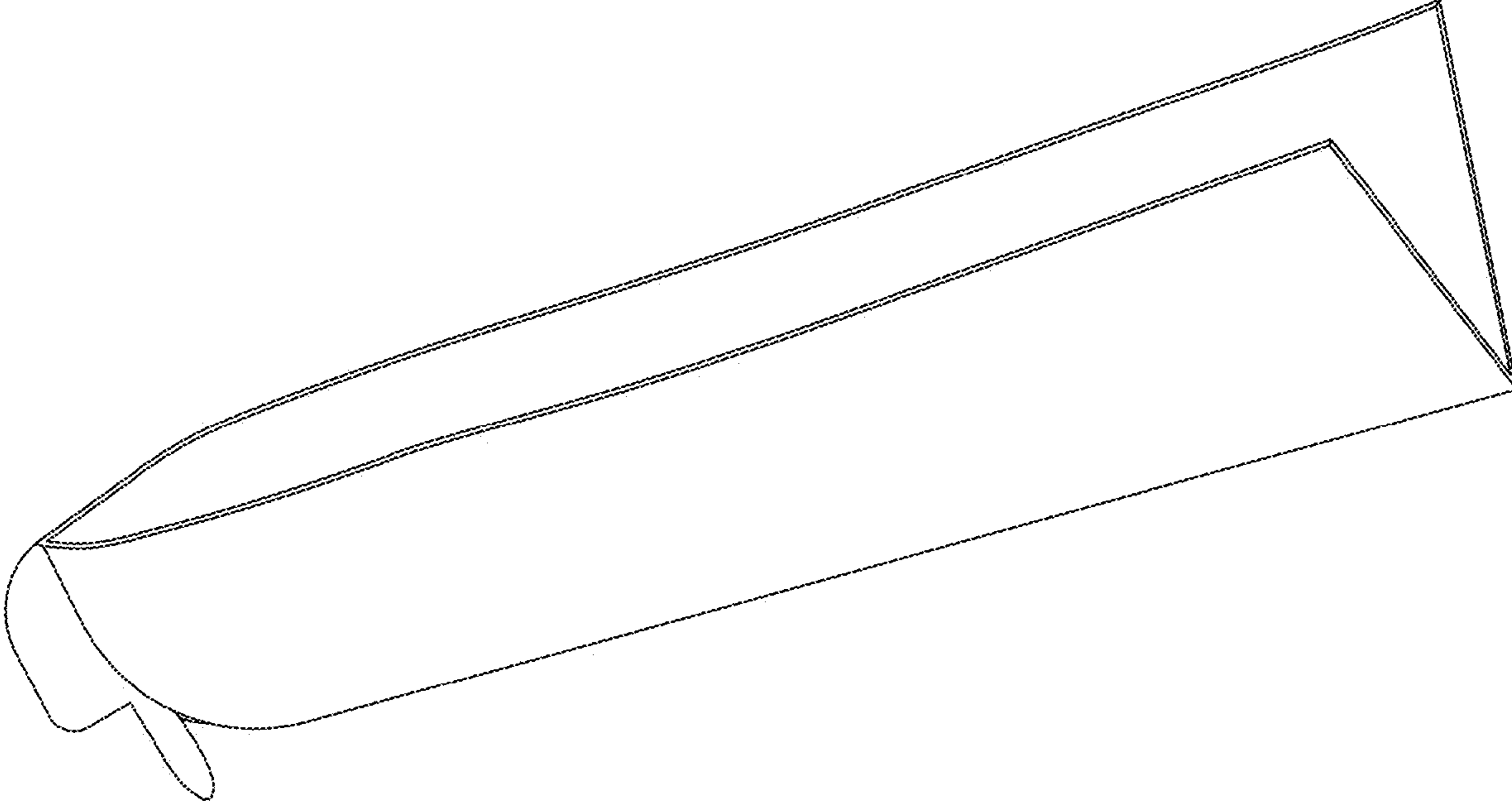


FIG. 1



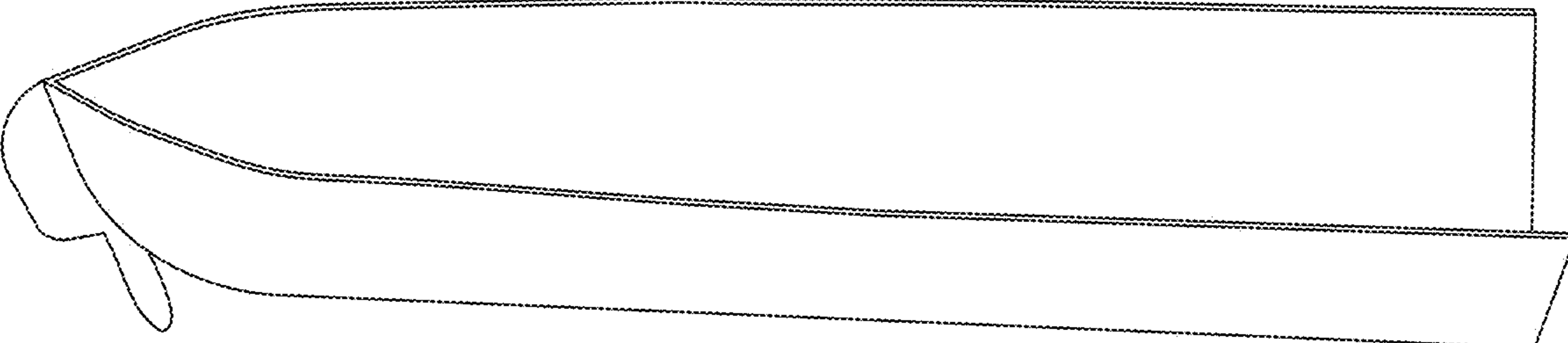


FIG. 2

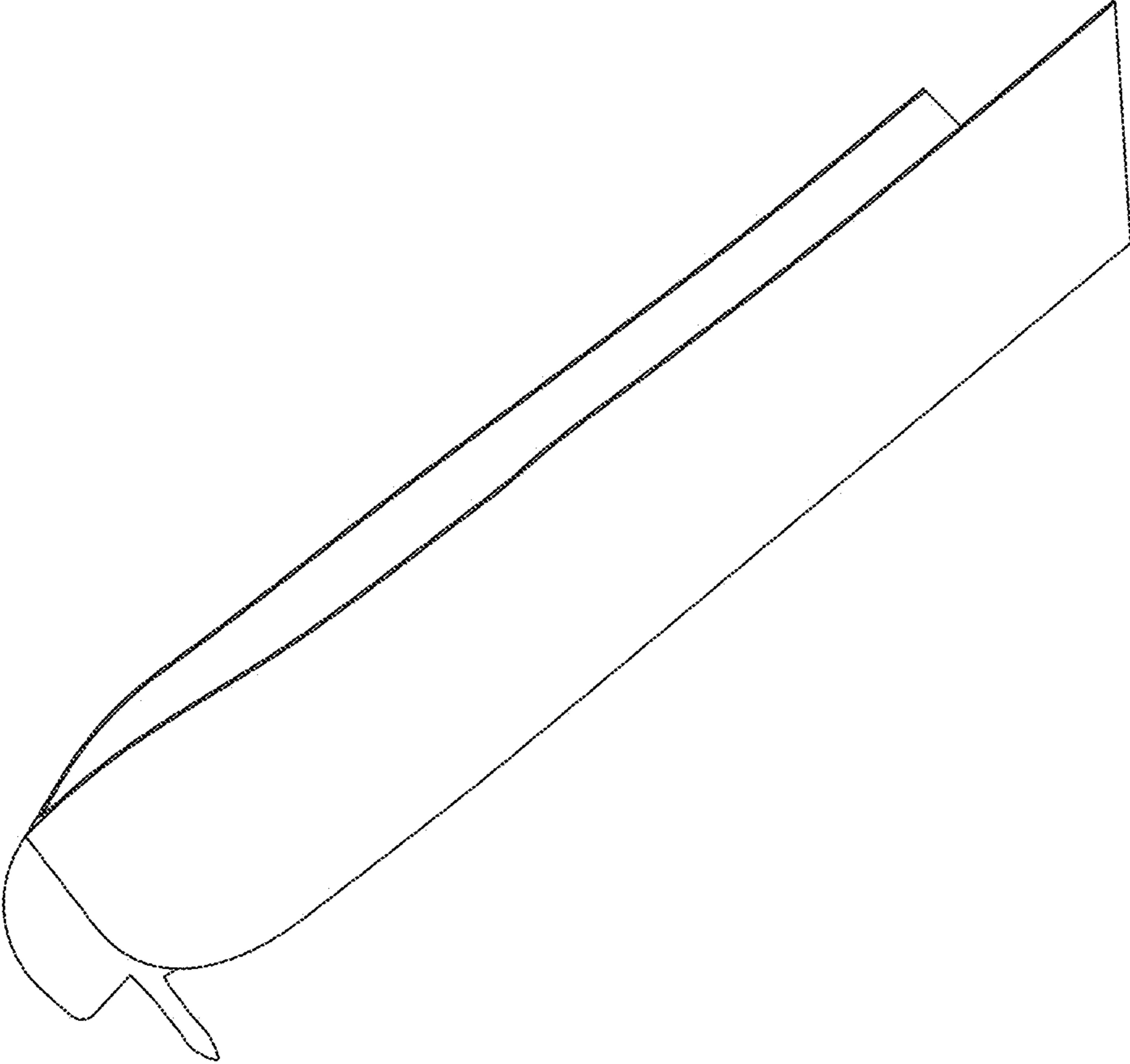


FIG. 3



FIG. 4

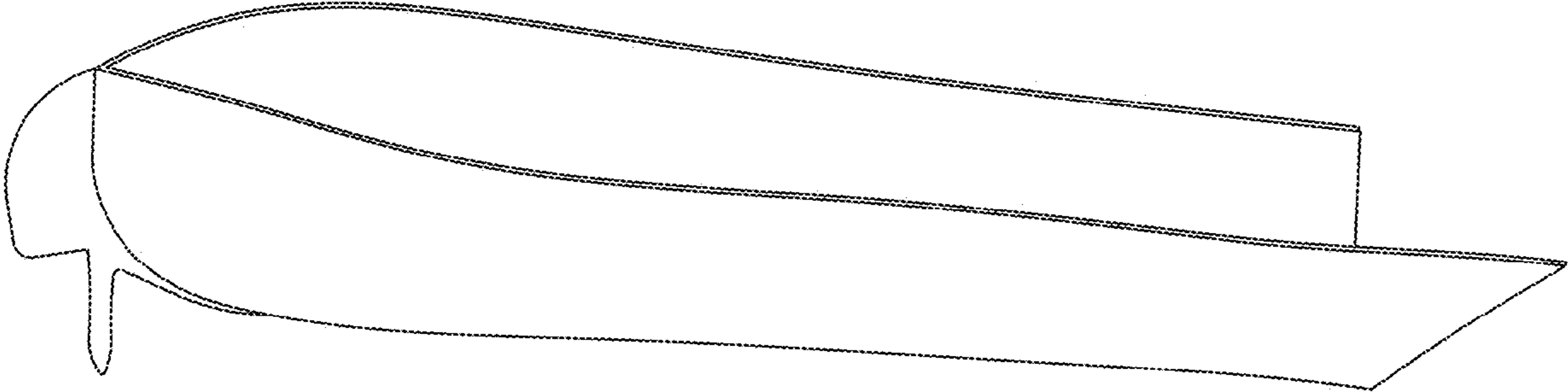


FIG. 5

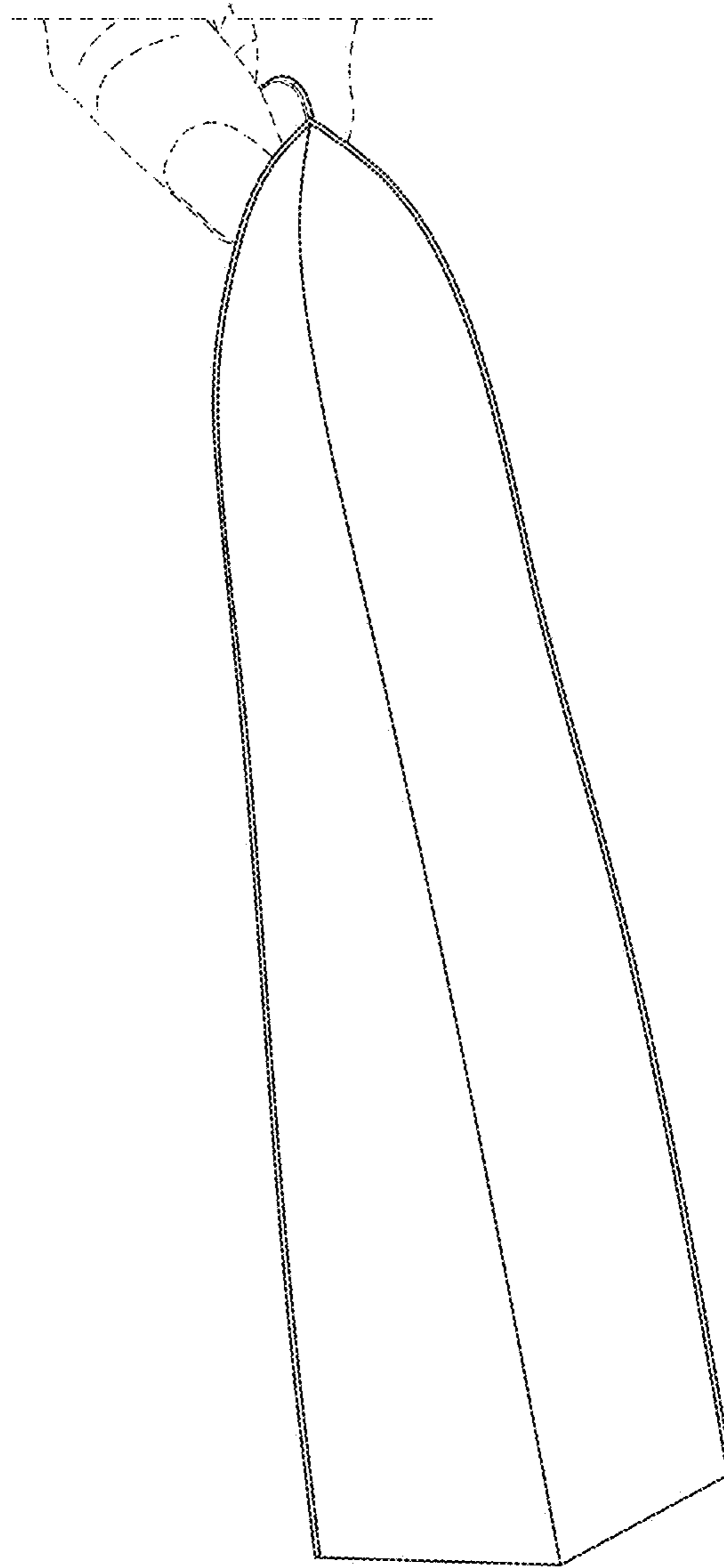


FIG. 6

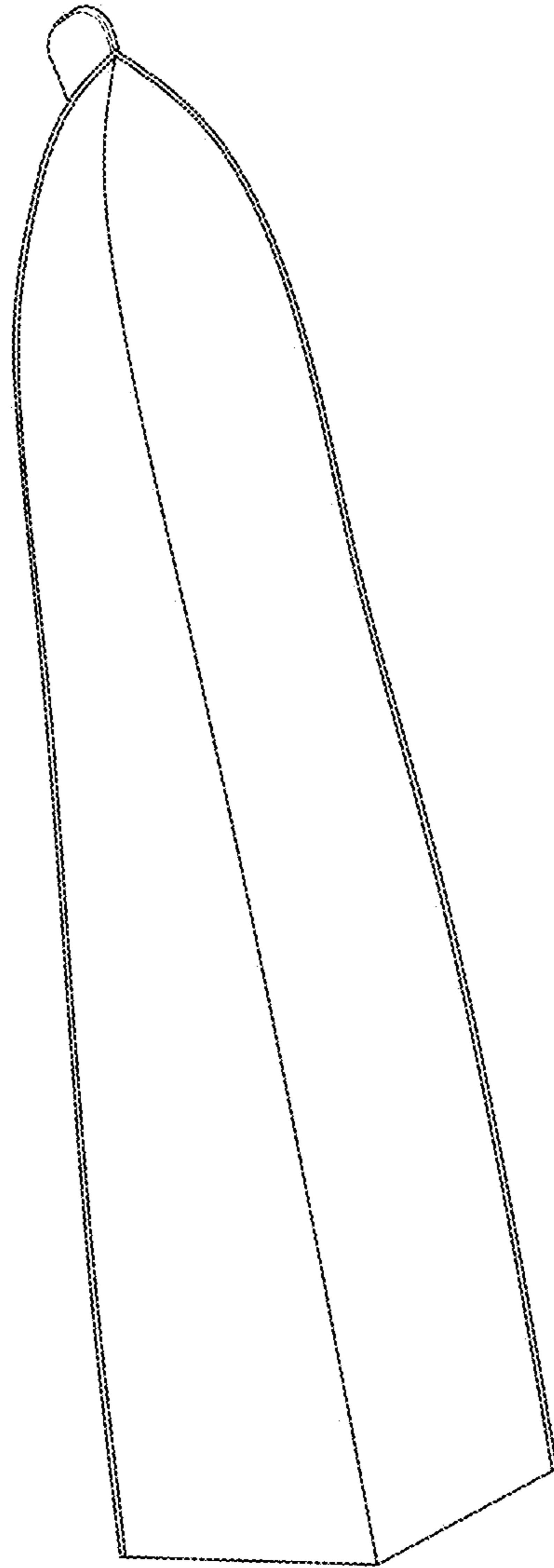


FIG. 7



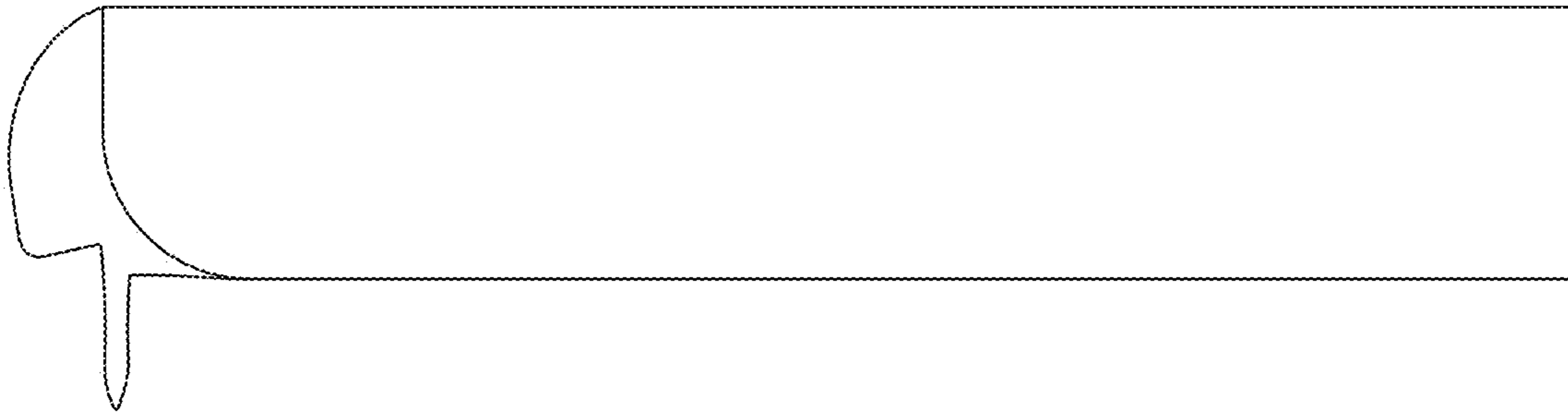


FIG.8

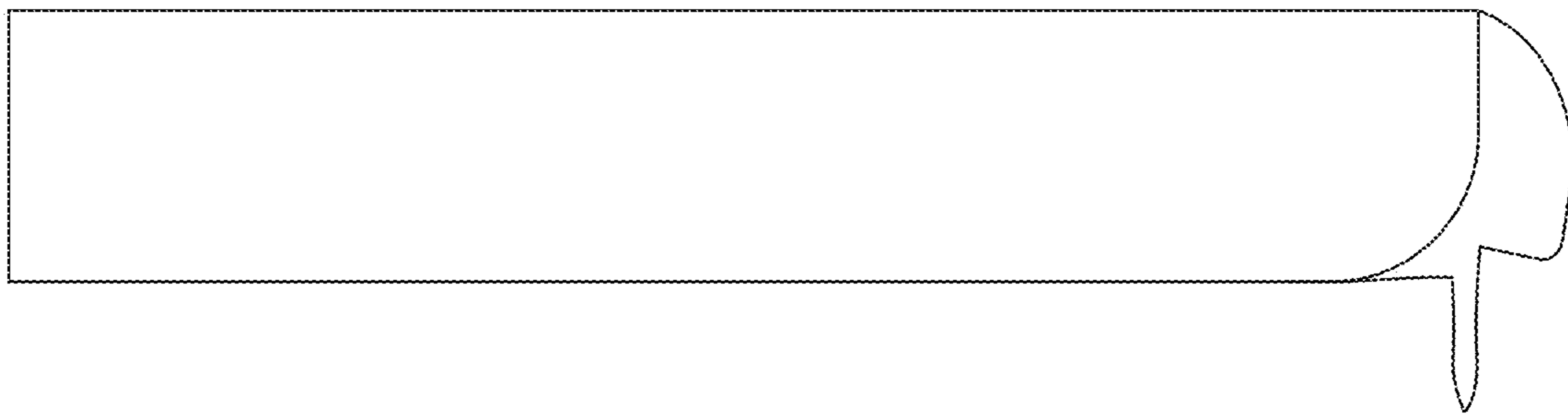


FIG. 9