



US00D890983S

(12) **United States Design Patent** (10) **Patent No.:** **US D890,983 S**
Roys et al. (45) **Date of Patent:** **** Jul. 21, 2020**

(54) **LED MOUNTING ADAPTER**
(71) Applicants: **Curtis Alan Roys**, Fredericksburg, TX (US); **Sidney Howard Norton**, Odessa, TX (US)

(72) Inventors: **Curtis Alan Roys**, Fredericksburg, TX (US); **Sidney Howard Norton**, Odessa, TX (US)

(**) Term: **15 Years**

(21) Appl. No.: **29/639,296**

(22) Filed: **Mar. 5, 2018**

(51) **LOC (12) Cl.** **26-05**

(52) **U.S. Cl.**
USPC **D26/142**

(58) **Field of Classification Search**
USPC D26/1, 2, 3, 26, 42, 65, 67, 68, 72, 79, D26/81, 84, 88, 85, 87, 113, 114, 118, D26/124, 128, 131, 134, 138, 140, 141, D26/142, 143, 152, 153
CPC F21S 8/03; F21S 8/031; F21S 8/033; F21S 8/036; F21S 9/03; F21S 9/037; F21V 21/025; F21V 17/08; F21V 17/10
See application file for complete search history.

(56) **References Cited**

U.S. PATENT DOCUMENTS

| | | | |
|-----------|----|---------|----------|
| 3,883,926 | A | 5/1975 | Reynolds |
| 3,894,225 | A | 7/1975 | Chao |
| 4,173,035 | A | 10/1979 | Hoyt |
| 4,439,818 | A | 3/1984 | Scheib |
| 5,288,047 | A | 2/1994 | Pan |
| 5,331,512 | A | 7/1994 | Orton |
| 5,559,681 | A | 9/1996 | Duarte |
| 6,056,418 | A | 5/2000 | Hsu |
| 6,109,765 | A | 8/2000 | Blanton |
| 6,216,987 | B1 | 4/2001 | Fukuo |
| 6,267,342 | B1 | 7/2001 | Huang |

| | | | |
|-----------|-----|---------|----------------------------|
| 6,685,385 | B1 | 2/2004 | Ledingham |
| 7,213,941 | B2 | 5/2007 | Sloan et al. |
| 7,478,924 | B2 | 1/2009 | Robertson |
| 7,744,266 | B2 | 6/2010 | Higley et al. |
| D649,682 | S * | 11/2011 | Trzesniowski D26/138 |
| D649,683 | S * | 11/2011 | Trzesniowski D26/138 |
| D649,692 | S * | 11/2011 | Trzesniowski D26/138 |
| D652,568 | S * | 1/2012 | Trzesniowski D26/138 |
| D652,985 | S * | 1/2012 | Trzesniowski D26/138 |
| D652,986 | S * | 1/2012 | Trzesniowski D26/138 |
| D663,048 | S | 7/2012 | Chen |
| D665,518 | S | 8/2012 | Takahashi et al. |
| D666,328 | S | 8/2012 | Morton |
| 8,240,894 | B2 | 8/2012 | Sanroma et al. |
| D673,307 | S | 12/2012 | Moghal |

(Continued)

FOREIGN PATENT DOCUMENTS

EP 1931006 A1 6/2008

Primary Examiner — Mark A Goodwin

Assistant Examiner — Benjamin M Weeks

(74) *Attorney, Agent, or Firm* — Scheinberg & Associates, PC; Michael O. Scheinberg

(57) **CLAIM**

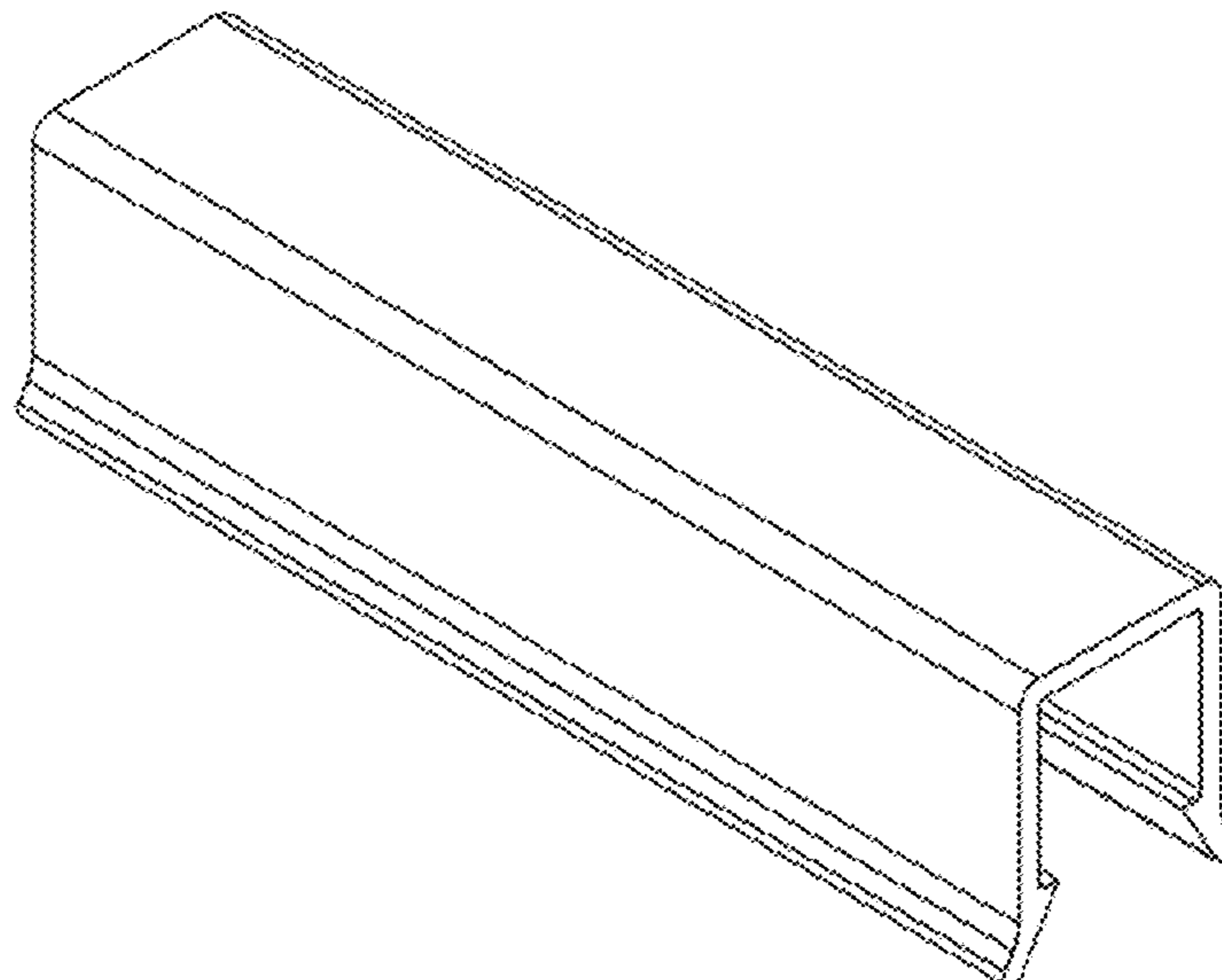
We claim the ornamental design for a LED mounting adapter, as shown and described.

DESCRIPTION

FIG. 1 is an isometric view of a first embodiment of an LED mounting adapter showing my new design; FIG. 2 is a front elevation thereof; FIG. 3 is a left side elevation thereof; FIG. 4 is a top plan view thereof; FIG. 5 is a bottom plan view thereof; and, FIG. 6 shows the first embodiment in the environment in which it is used.

Broken lines illustrate the environmental structure in the drawing and are not part of the design sought to be patented.

1 Claim, 3 Drawing Sheets



(56)

References Cited

U.S. PATENT DOCUMENTS

8,449,145 B1 5/2013 Berry et al.
 8,474,998 B2 7/2013 Wang et al.
 D695,955 S 12/2013 Klus
 D715,461 S 10/2014 Chen
 D724,257 S * 3/2015 Klus D26/141
 D724,259 S * 3/2015 Klus D26/141
 D724,260 S * 3/2015 Klus D26/141
 D775,409 S 12/2016 Klus
 D775,410 S 12/2016 Klus
 D792,017 S 7/2017 Klus
 D796,110 S 8/2017 Klus
 D798,471 S * 9/2017 Tremaine D25/119
 D799,065 S * 10/2017 Tremaine D25/119
 D802,176 S 11/2017 Tan et al.
 D807,572 S 1/2018 Klus
 D809,704 S * 2/2018 Klus D26/142
 D818,187 S * 5/2018 Trzesniowski D26/138
 D818,188 S 5/2018 Trzesniowski
 D818,189 S * 5/2018 Trzesniowski D26/138
 D818,194 S * 5/2018 Trzesniowski D26/138
 D831,465 S * 10/2018 MacDonald D8/349
 D834,398 S * 11/2018 Macdonald D8/349
 D834,399 S * 11/2018 Macdonald D8/349
 D845,516 S 4/2019 Yuan
 D847,412 S 4/2019 Trzcielinski
 D868,353 S 11/2019 Trzcielinski

D868,355 S 11/2019 Trzcielinski
 10,488,020 B2 11/2019 Zanotto et al.
 D869,070 S 12/2019 Trzcielinski
 D869,071 S 12/2019 Trzcielinski
 D869,072 S 12/2019 Trzcielinski
 D869,073 S 12/2019 Trzcielinski
 D869,074 S 12/2019 Trzcielinski
 D869,077 S 12/2019 Trzcielinski
 D869,078 S 12/2019 Trzcielinski
 D869,080 S 12/2019 Trzcielinski
 D869,081 S 12/2019 Trzcielinski
 D876,001 S 2/2020 Sugiyama et al.
 D876,714 S 2/2020 Klus
 D877,402 S 3/2020 Klus
 2006/0039142 A1 2/2006 Temple
 2007/0242466 A1 10/2007 Wu et al.
 2008/0158858 A1 7/2008 Madireddi et al.
 2009/0121988 A1 5/2009 Amo et al.
 2009/0146910 A1 6/2009 Gardner
 2009/0296381 A1 12/2009 Dubord
 2011/0019413 A1 1/2011 Zimmerman et al.
 2011/0058357 A1 3/2011 Anderson
 2011/0058377 A1 3/2011 Chou et al.
 2011/0134640 A1 6/2011 Bertele
 2012/0298813 A1 11/2012 Gibbons et al.
 2013/0333197 A1 12/2013 Schulte et al.
 2015/0144760 A1 5/2015 Paradiso
 2015/0308631 A1 10/2015 Gorman et al.
 2017/0023186 A1 1/2017 Norton et al.

* cited by examiner

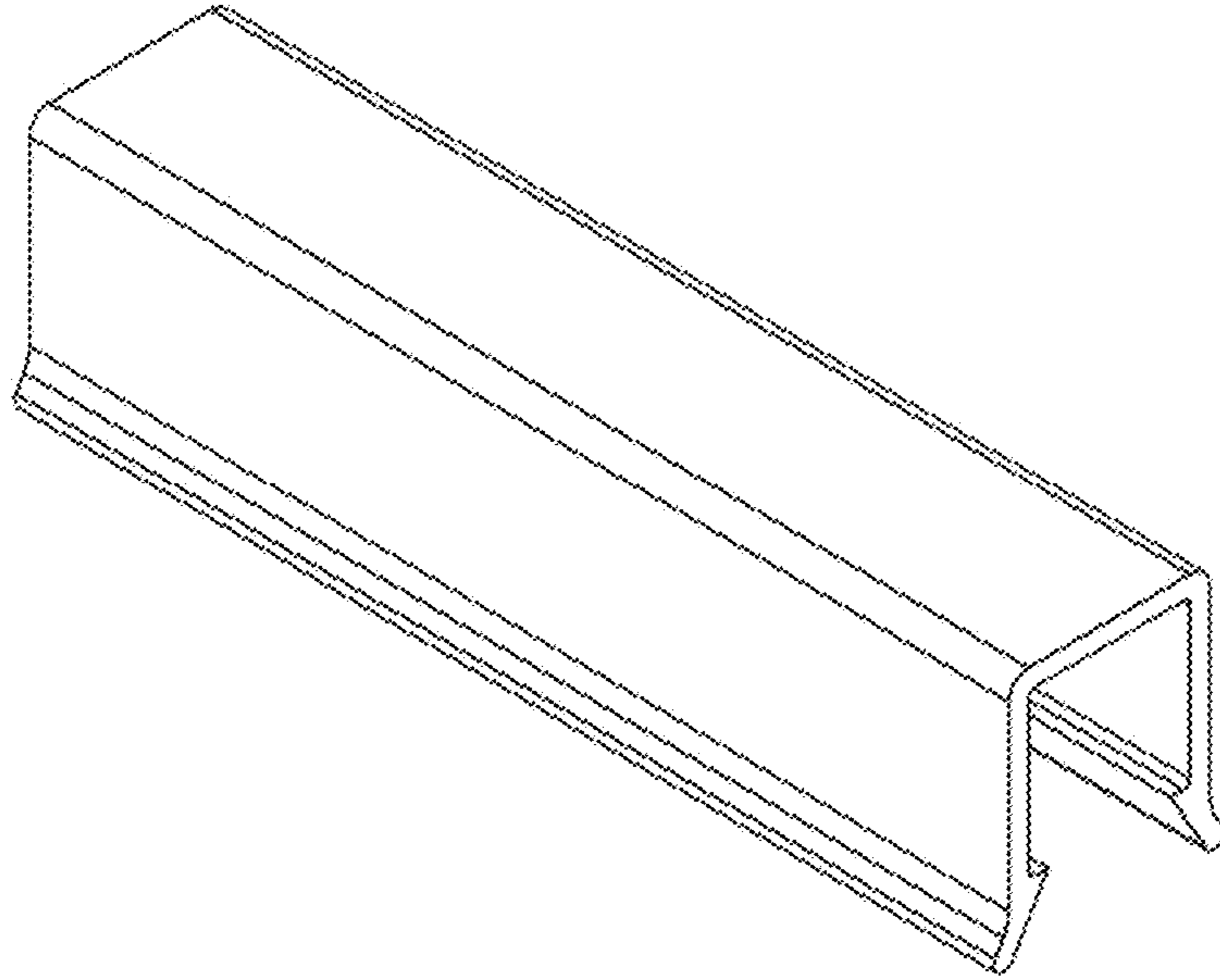


FIG. 1

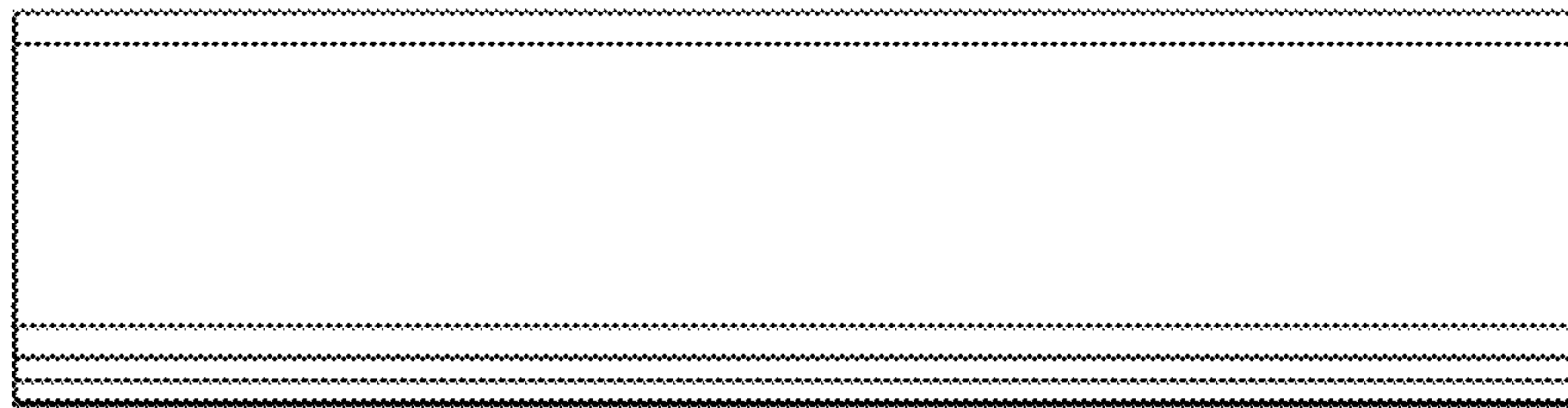


FIG. 2

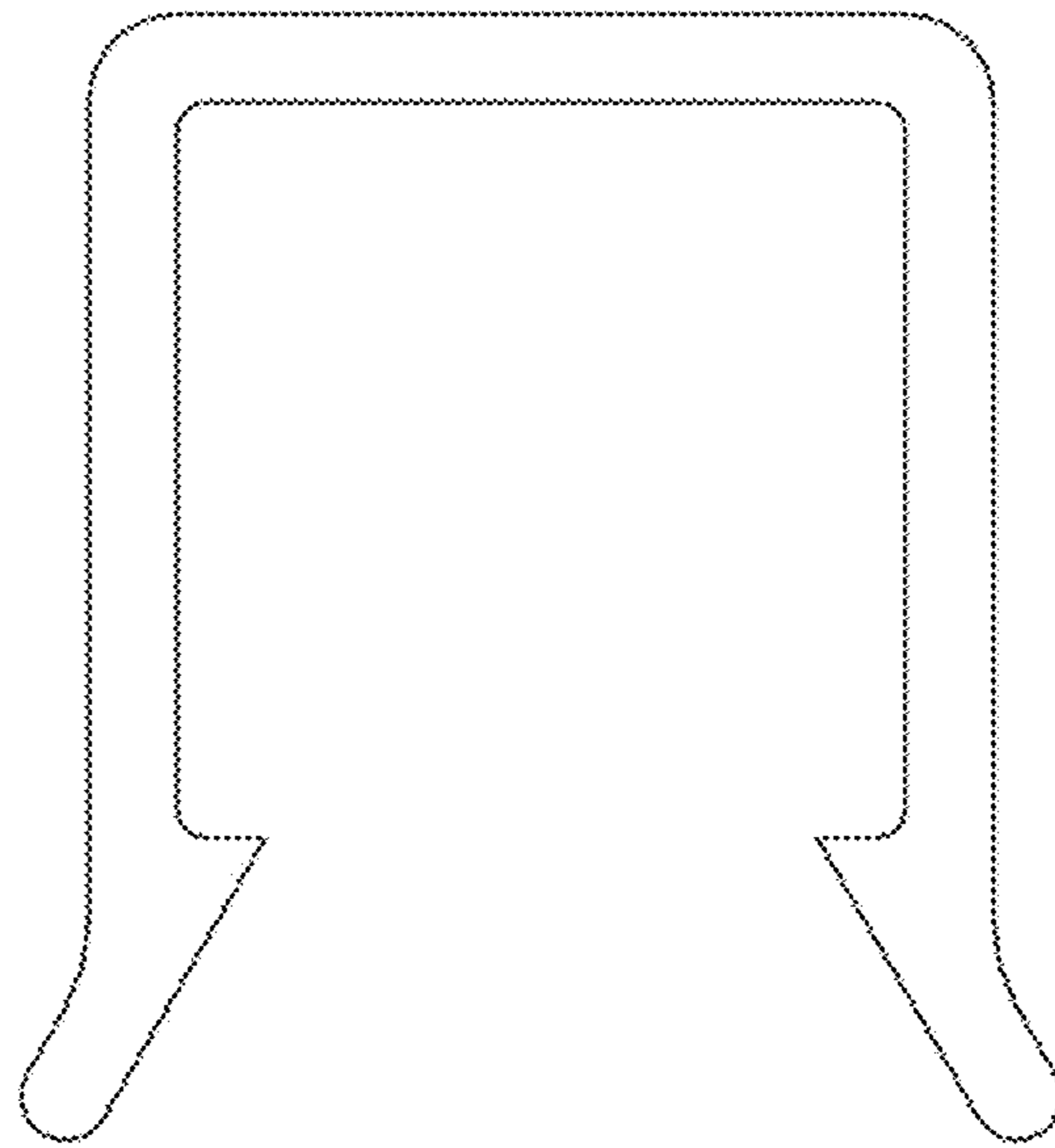


FIG. 3

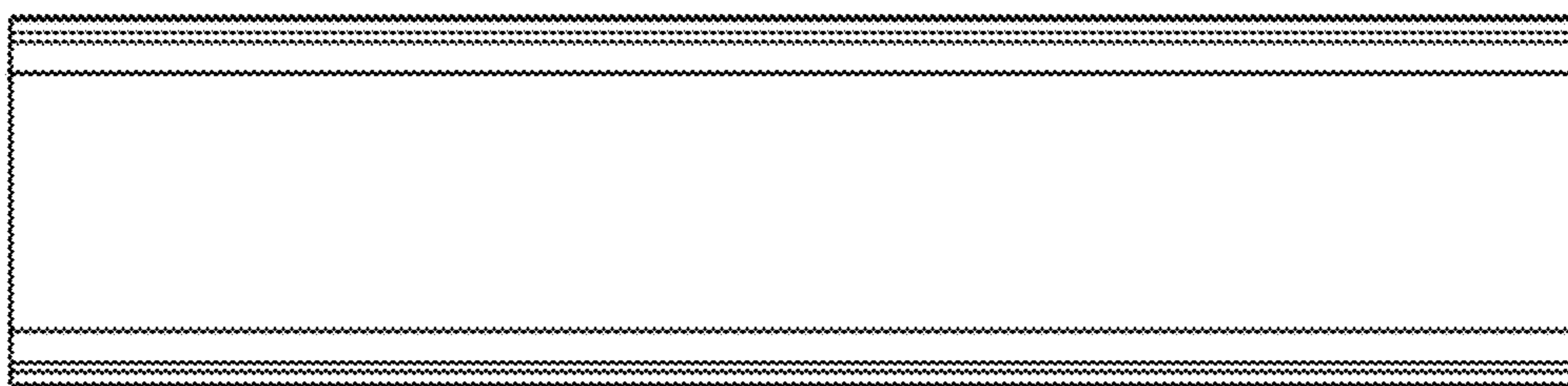


FIG. 4

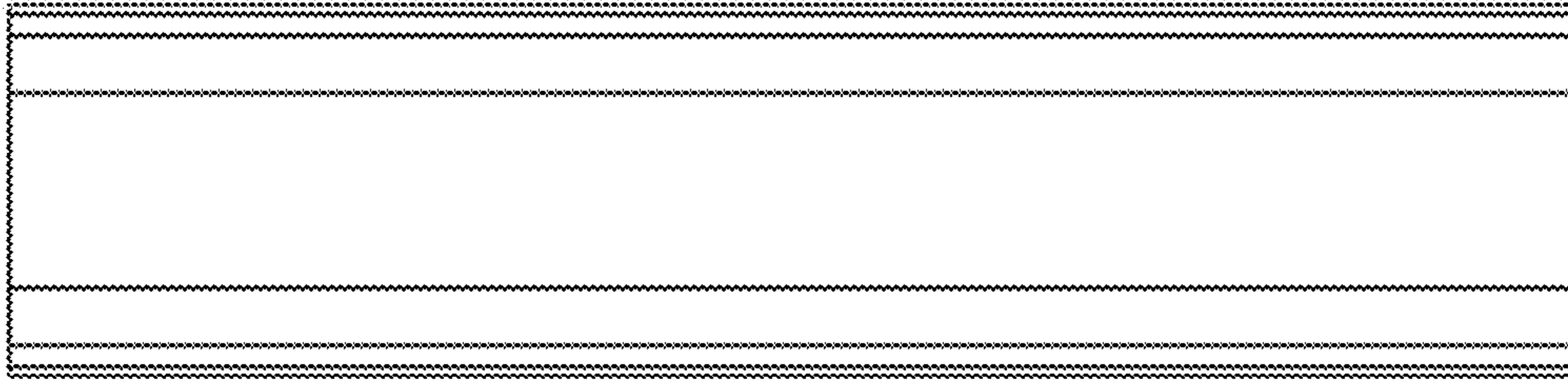


FIG. 5

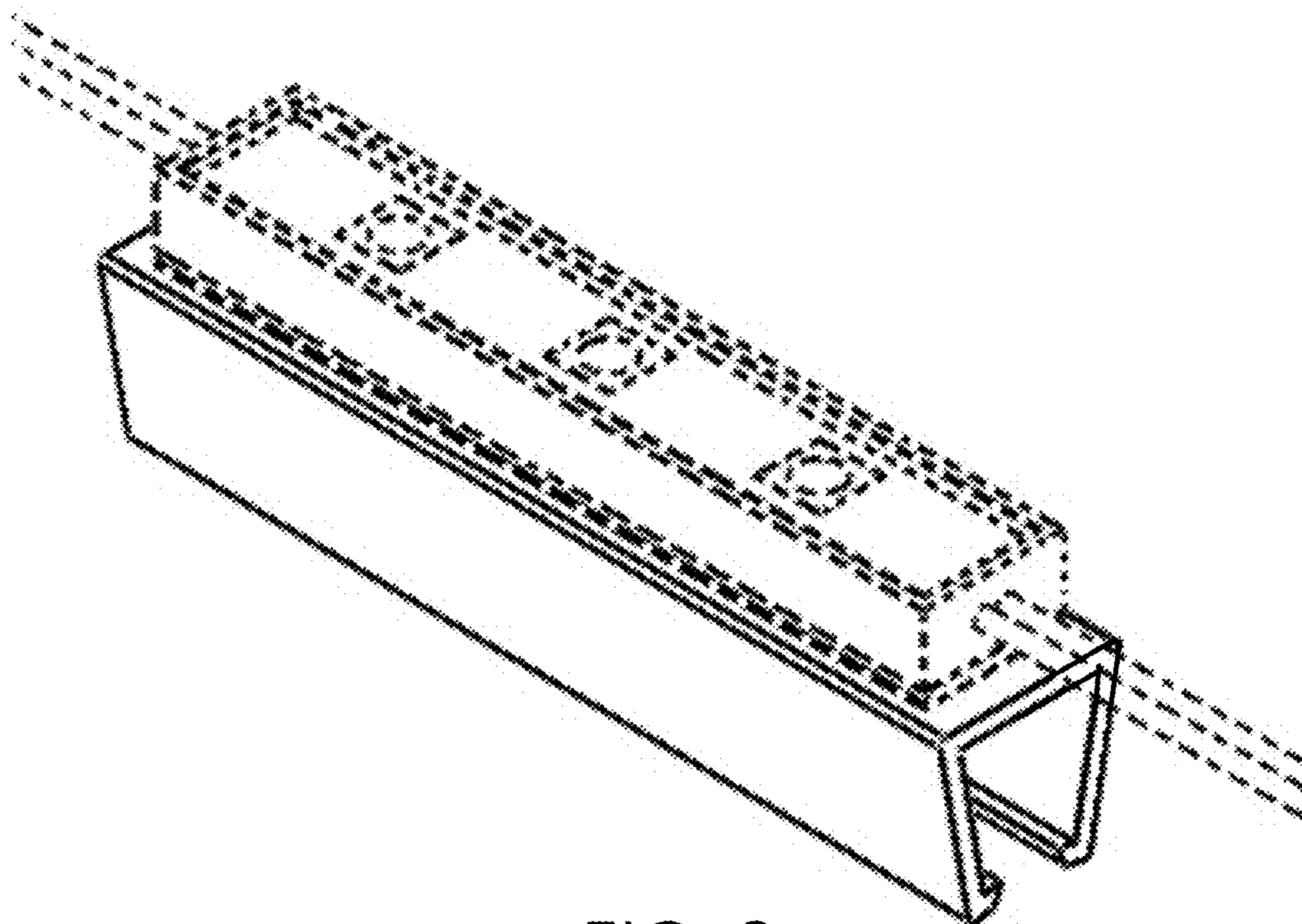


FIG. 6