



US00D890982S

(12) **United States Design Patent**
Vartan

(10) **Patent No.:** **US D890,982 S**

(45) **Date of Patent:** **** Jul. 21, 2020**

(54) **BASE FOR A LIGHT**

(71) Applicant: **Daniel R. Vartan**, Kearny, NJ (US)

(72) Inventor: **Daniel R. Vartan**, Kearny, NJ (US)

(**) Term: **15 Years**

(21) Appl. No.: **29/665,371**

(22) Filed: **Oct. 3, 2018**

Related U.S. Application Data

(60) Provisional application No. 62/572,626, filed on Oct. 16, 2017.

(51) **LOC (12) Cl.** **26-05**

(52) **U.S. Cl.**
USPC **D26/138**

(58) **Field of Classification Search**
USPC D26/138, 72, 74, 76, 78-83, 85, 86, 88,
D26/90, 93, 111, 113, 118, 119, 120, 121,
D26/122, 139, 140, 141, 142, 152
CPC F21S 2/00; F21S 4/00; F21S 4/003; F21S
4/005; F21S 4/006
See application file for complete search history.

(56) **References Cited**

U.S. PATENT DOCUMENTS

D310,426 S *	9/1990	Rook	D26/138
D311,679 S *	10/1990	Morris	248/318
D391,011 S *	2/1998	Kluck	D26/142
D430,950 S *	9/2000	Lee	D26/104
D473,336 S *	4/2003	Huang	D26/138
D481,158 S *	10/2003	Cline	D26/138
D481,159 S *	10/2003	Walker	D26/138
D520,668 S *	5/2006	Brunner	D26/81
D585,590 S *	1/2009	Summerford	D26/141
D612,979 S *	3/2010	Holsinger	D26/138
D709,643 S *	7/2014	Kohler	D26/138

D710,529 S *	8/2014	Lopez	D26/113
D710,536 S *	8/2014	Mollaghaffari	D26/138
D715,904 S *	10/2014	Tate	D23/387
D726,897 S *	4/2015	Hatz	D23/411
D805,176 S *	12/2017	Avedon	D23/379
D850,708 S *	6/2019	Mullen	D26/138
D863,661 S *	10/2019	Tian	D26/138
D864,466 S *	10/2019	Romano	D26/138

* cited by examiner

Primary Examiner — Mark A Goodwin

Assistant Examiner — Benjamin M Weeks

(74) *Attorney, Agent, or Firm* — Michael J. Foycik, Jr.

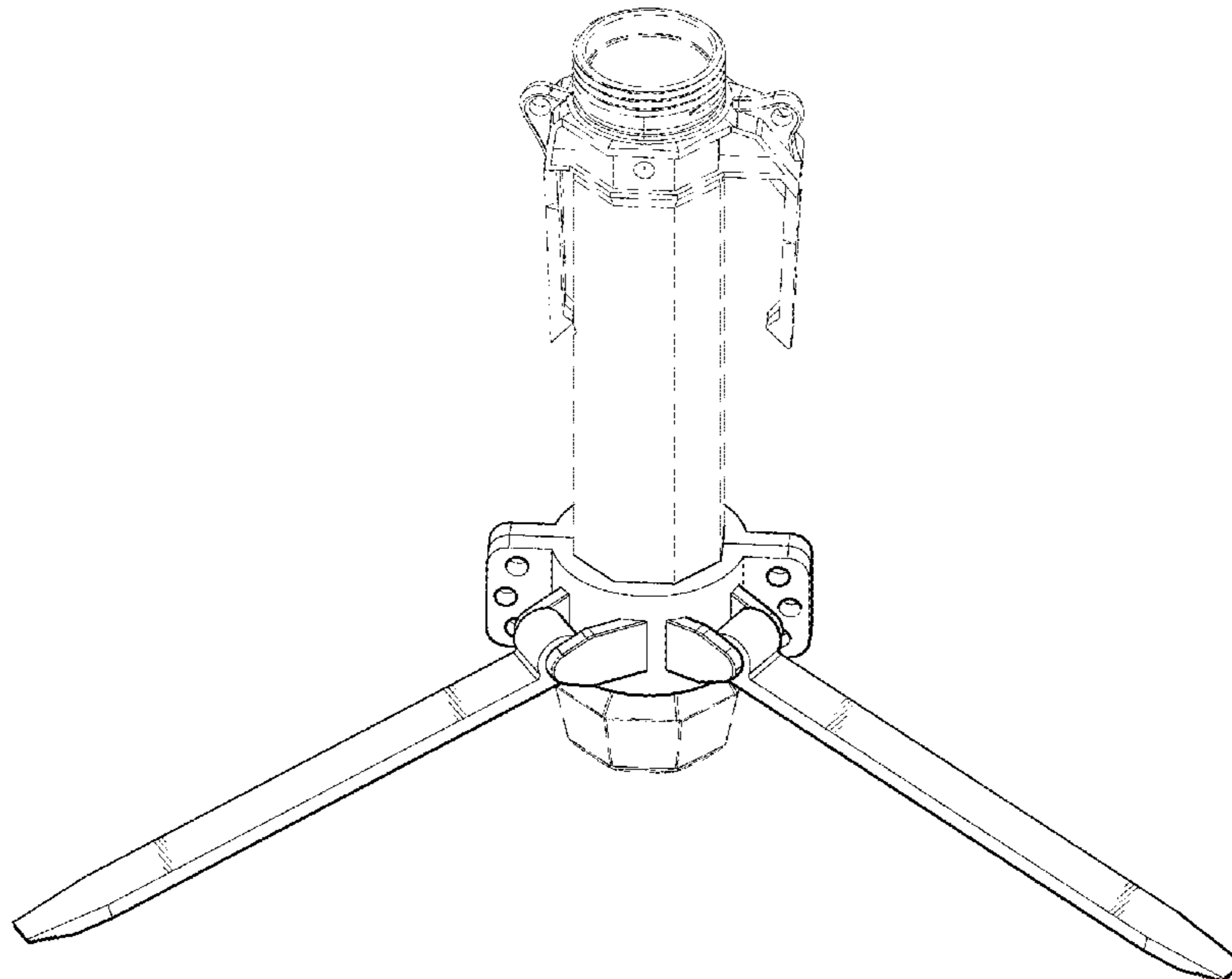
(57) **CLAIM**

The ornamental design for a base for a light, as shown and described.

DESCRIPTION

FIG. 1 is a perspective environmental view of a base for a light, showing my new design;
 FIG. 2 is a perspective view of the base for a light of FIG. 1;
 FIG. 3 is a top view thereof;
 FIG. 4 is a bottom elevational view thereof;
 FIG. 5 is a front view thereof;
 FIG. 6 is a back view thereof;
 FIG. 7 is a left elevational view thereof; and
 FIG. 8 is a right elevational view thereof.
 FIG. 9 is a bottom perspective view of the legs of the base for a light of FIG. 1; and,
 FIG. 10 is a top perspective view of the legs of the base for a light of FIG. 1.
 The broken line showing of base for a light is included for the purpose of illustrating unclaimed matter and forms no part of the claimed design.

1 Claim, 7 Drawing Sheets



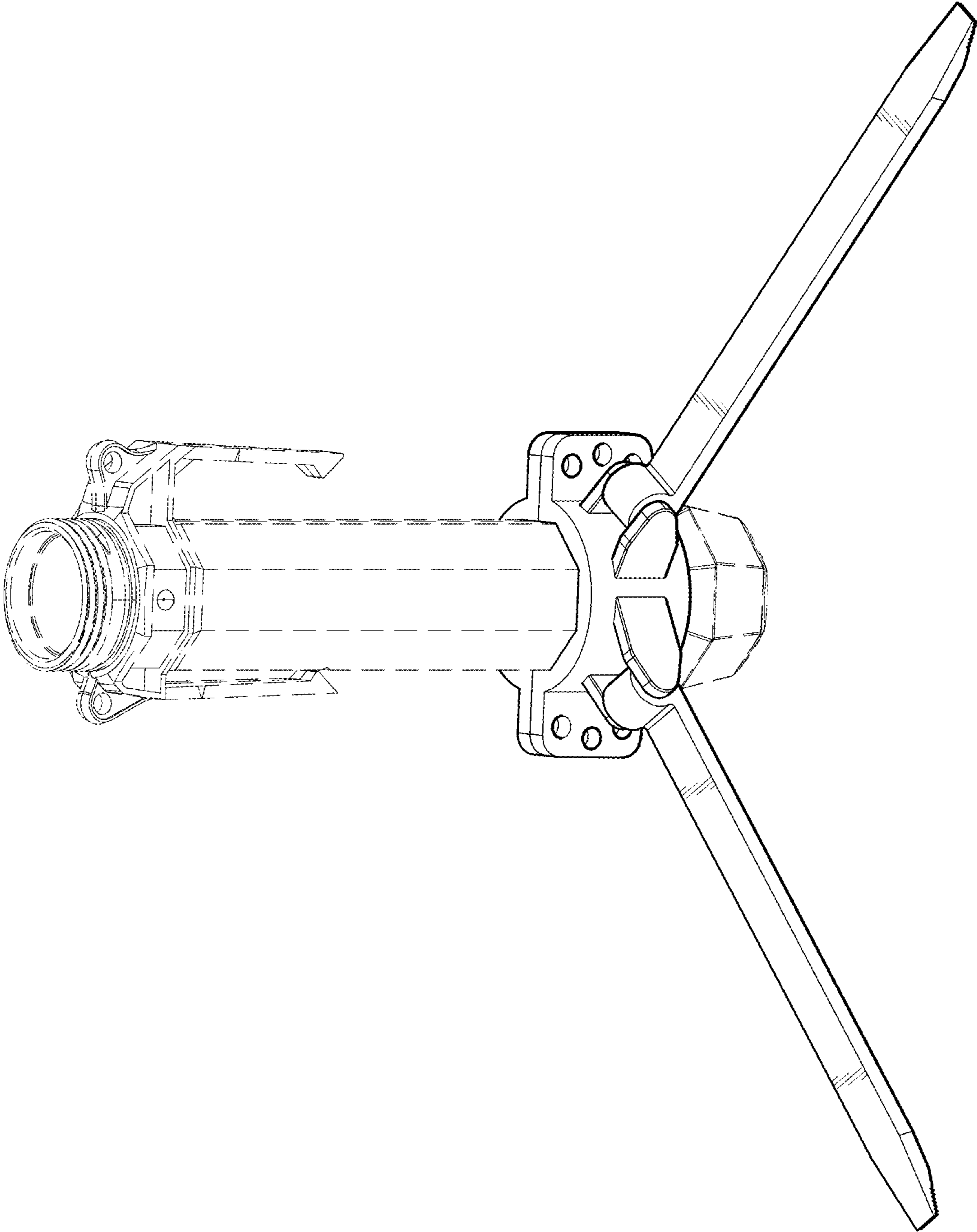


FIG. 1

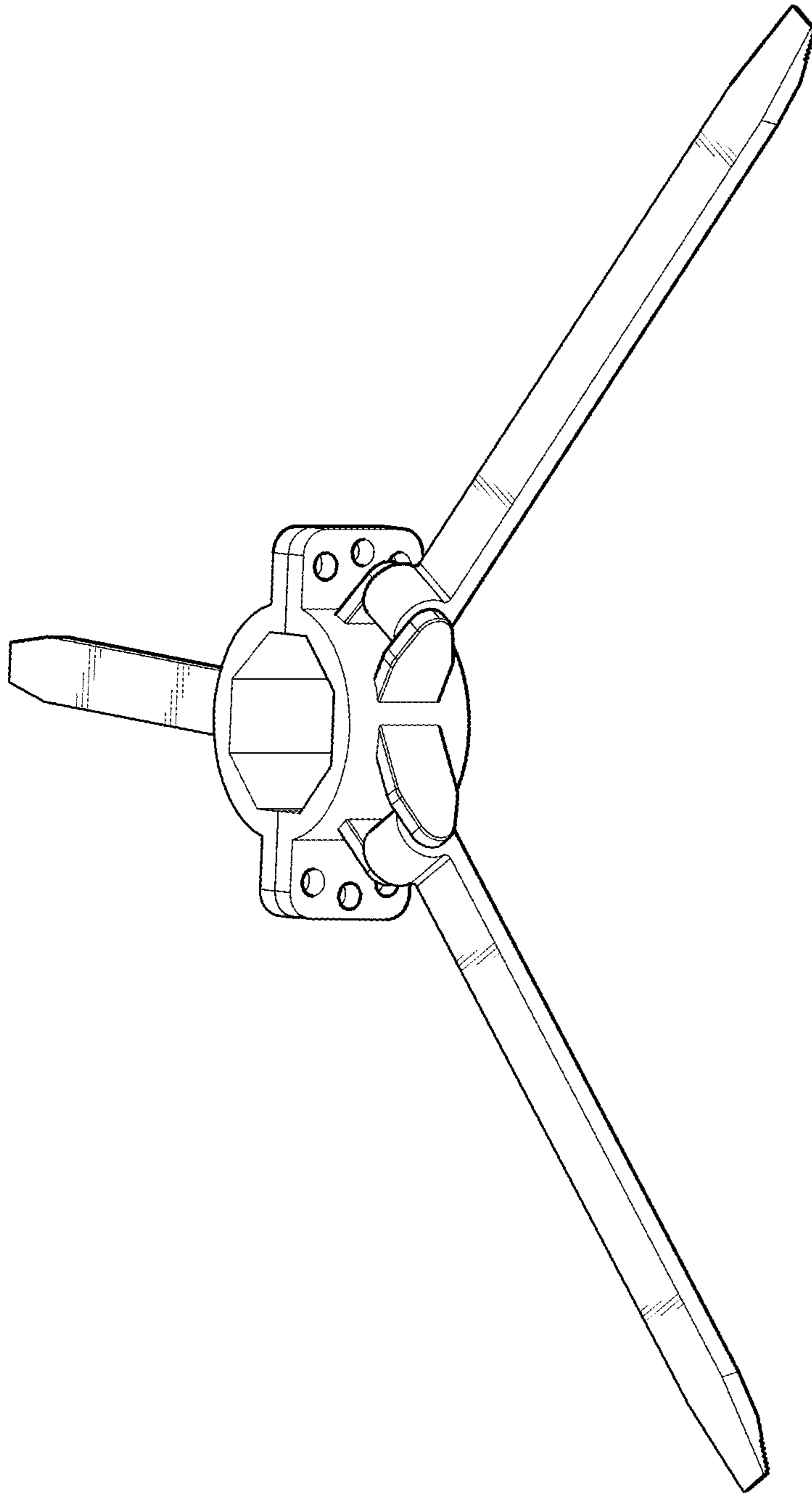


FIG. 2

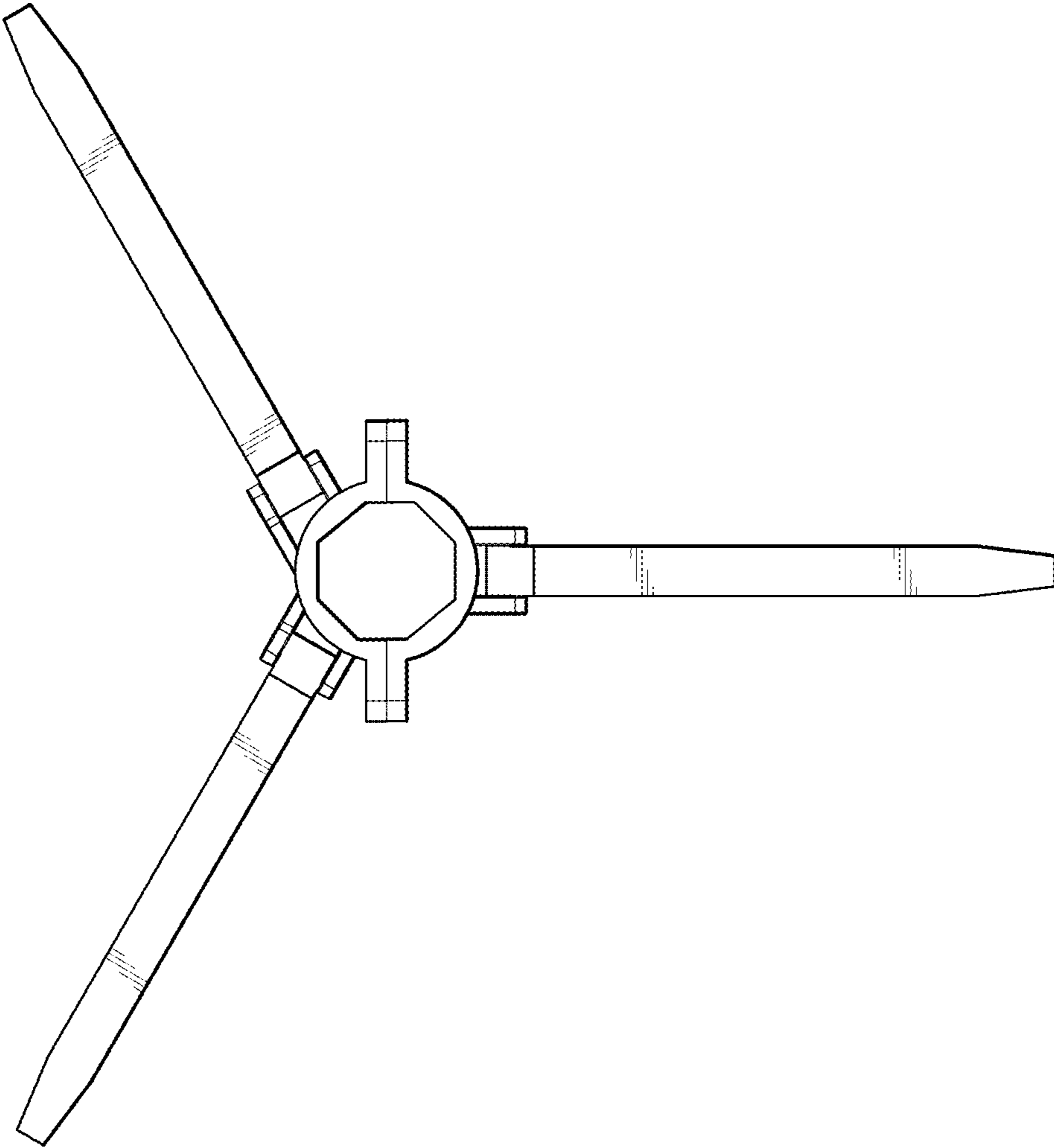


FIG. 3

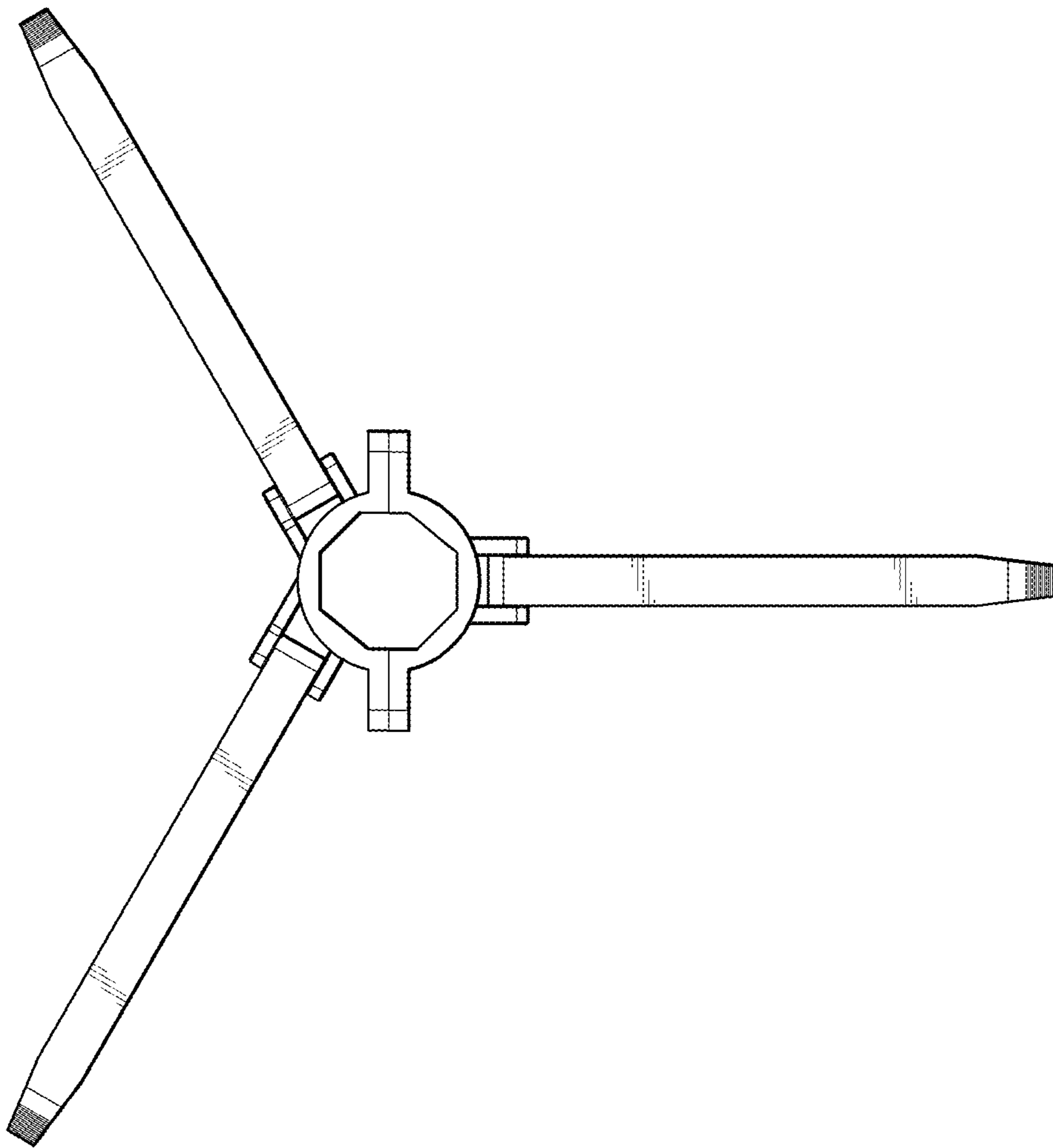


FIG. 4

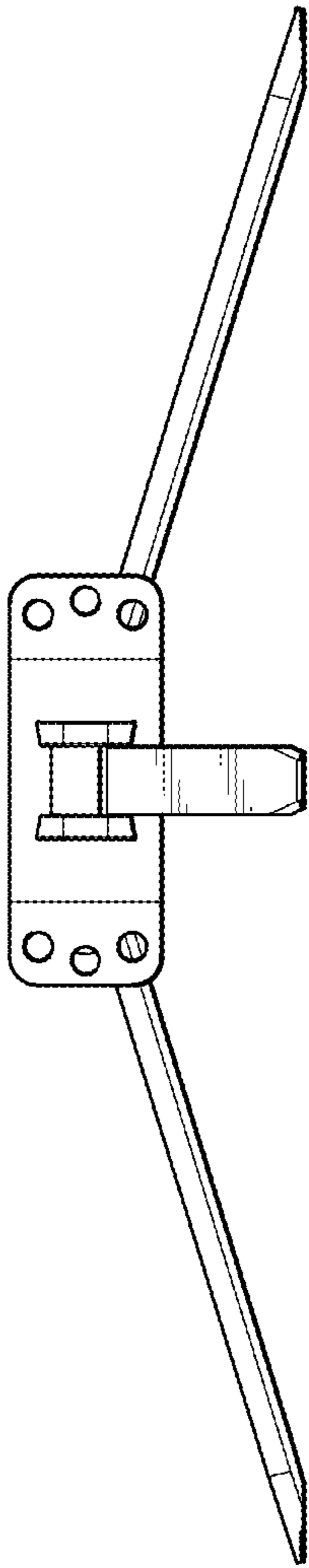


FIG. 5

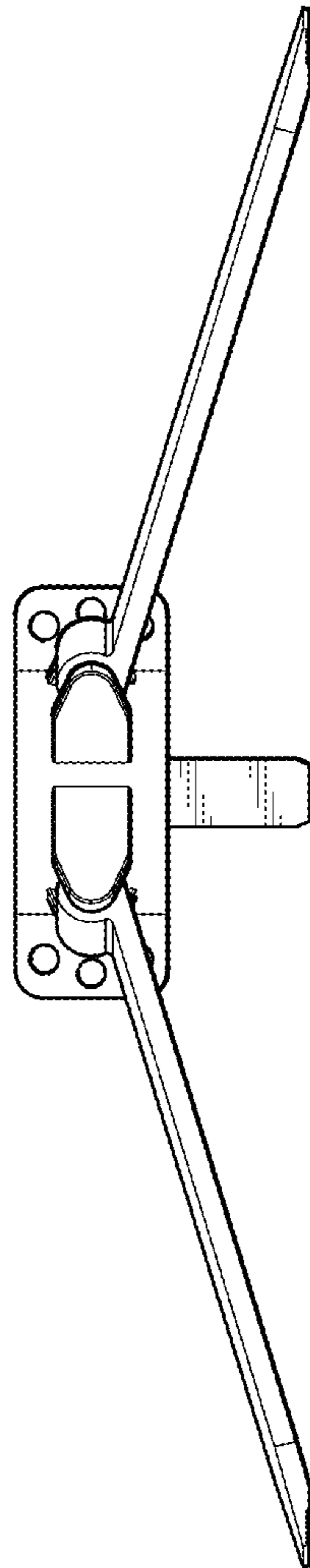


FIG. 6

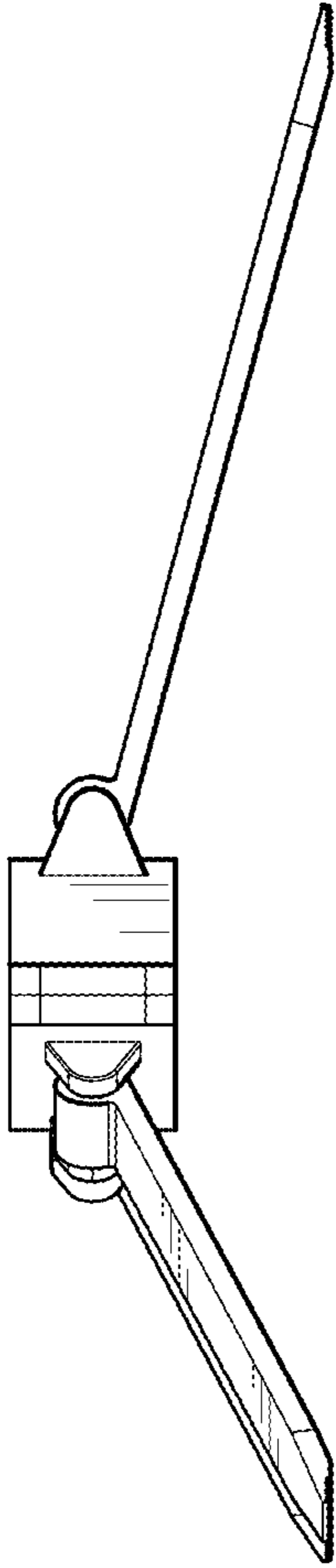


FIG. 7

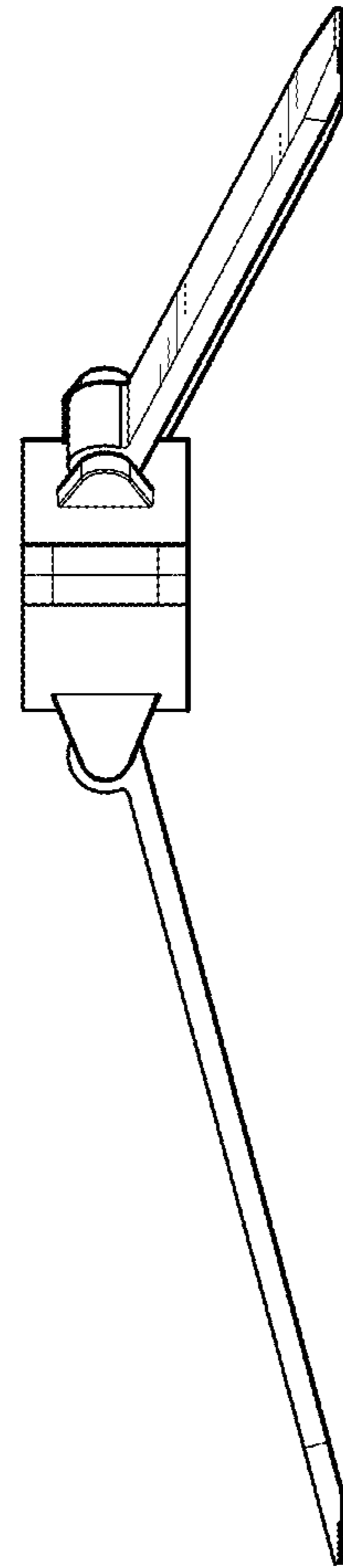


FIG. 8

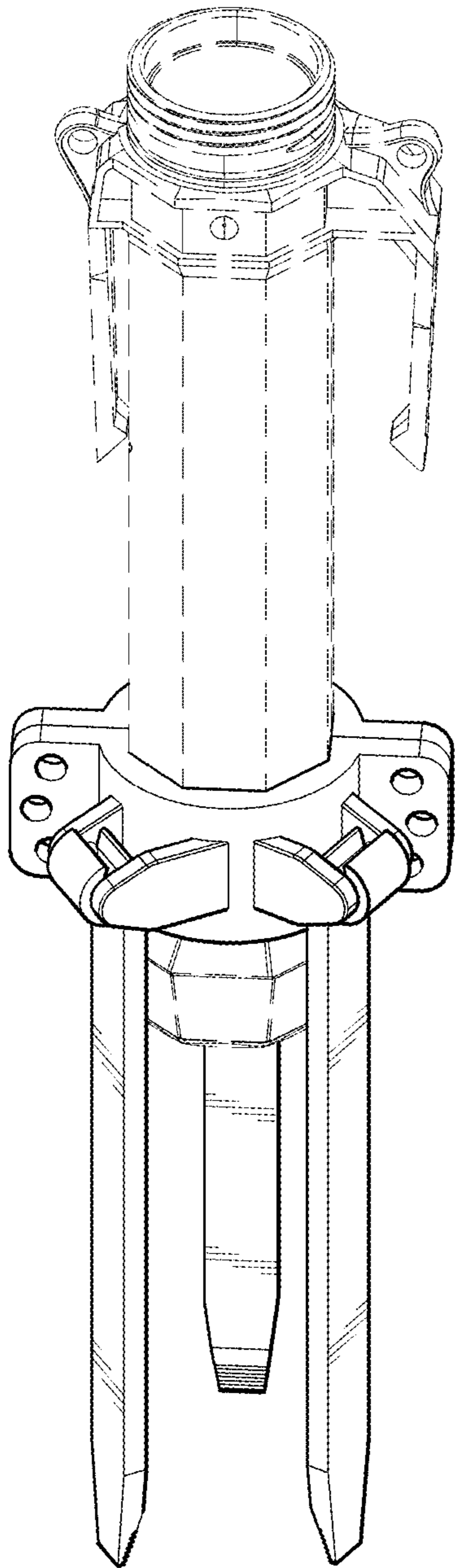


FIG. 9

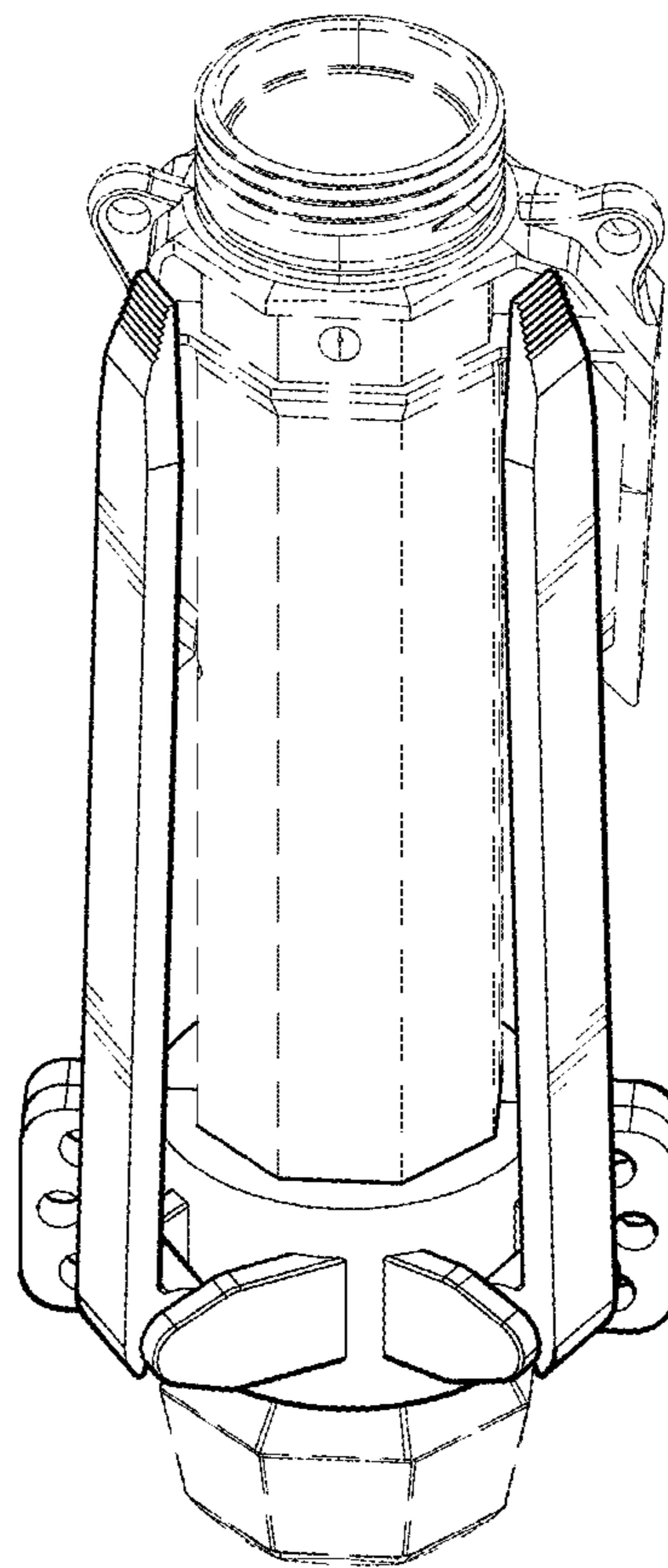


FIG. 10