



US00D890978S

(12) **United States Design Patent**  
**Birchler et al.**

(10) **Patent No.:** **US D890,978 S**

(45) **Date of Patent:** **\*\* Jul. 21, 2020**

(54) **CEILING LIGHT**

(71) Applicant: **DELTA T CORPORATION**,  
Lexington, KY (US)

(72) Inventors: **Terry Birchler**, Blacklick, OH (US);  
**Jeff Accursi**, Columbus, OH (US); **Erik Turocy**, Columbus, OH (US)

(73) Assignee: **DELTA T, LLC**, Lexington, KY (US)

(\*\*) Term: **15 Years**

(21) Appl. No.: **29/596,467**

(22) Filed: **Mar. 8, 2017**

(51) **LOC (12) Cl.** ..... **26-05**

(52) **U.S. Cl.**  
USPC ..... **D26/88**; D26/59; D26/90

(58) **Field of Classification Search**  
USPC ..... D26/59, 72, 80, 81, 84, 85, 86, 88, 90,  
D26/91, 118, 138; D23/370, 377-382,  
D23/411-414

CPC ..... F04D 25/088; F04D 29/38; F21V 21/03;  
F21V 21/18; F21V 27/00; B63H 1/16;  
F21S 8/06

See application file for complete search history.

(56) **References Cited**

**U.S. PATENT DOCUMENTS**

D445,941 S *	7/2001	Schaefer	.....	D26/85
D465,872 S *	11/2002	Cacaci	.....	D26/90
D507,342 S *	7/2005	Chen	.....	D23/377
D602,191 S *	10/2009	Chang	.....	D26/84
D604,454 S *	11/2009	Majidi	.....	D26/142
D605,332 S *	12/2009	Miranda	.....	D26/88
D605,333 S *	12/2009	Miranda	.....	D26/88
D605,349 S *	12/2009	Clark	.....	D26/152
D621,087 S *	8/2010	Nagane	.....	D26/86
D671,676 S *	11/2012	Komarov	.....	D26/88
D684,307 S *	6/2013	Teller	.....	D26/118

D698,983 S *	2/2014	Rampolla	.....	D26/88
D715,904 S *	10/2014	Tate	.....	D23/387
D747,453 S *	1/2016	Stewart	.....	D23/370
D768,905 S *	10/2016	Sonneman	.....	D26/88
D768,906 S *	10/2016	Sonneman	.....	D26/88
D770,665 S *	11/2016	Sonneman	.....	D26/88
D777,312 S *	1/2017	Badarello	.....	D23/377
D789,507 S *	6/2017	Badarello	.....	D23/377
D797,982 S *	9/2017	Sonneman	.....	D26/88
D806,929 S *	1/2018	Clark	.....	D26/88
D812,283 S *	3/2018	Arndt	.....	D26/88
D825,820 S *	8/2018	Sonneman	.....	D26/90

(Continued)

**OTHER PUBLICATIONS**

The Murray; The Murray Hong Kong hotel; 84-inch Haiku ceiling fans; Jan. 15, 2018; <https://www.bigassfans.com/press-releases/big-ass-fans-featured-hong-kongs-murray-hotel/>.

(Continued)

*Primary Examiner* — Janice Hallmark

(74) *Attorney, Agent, or Firm* — King & Schickli, PLLC

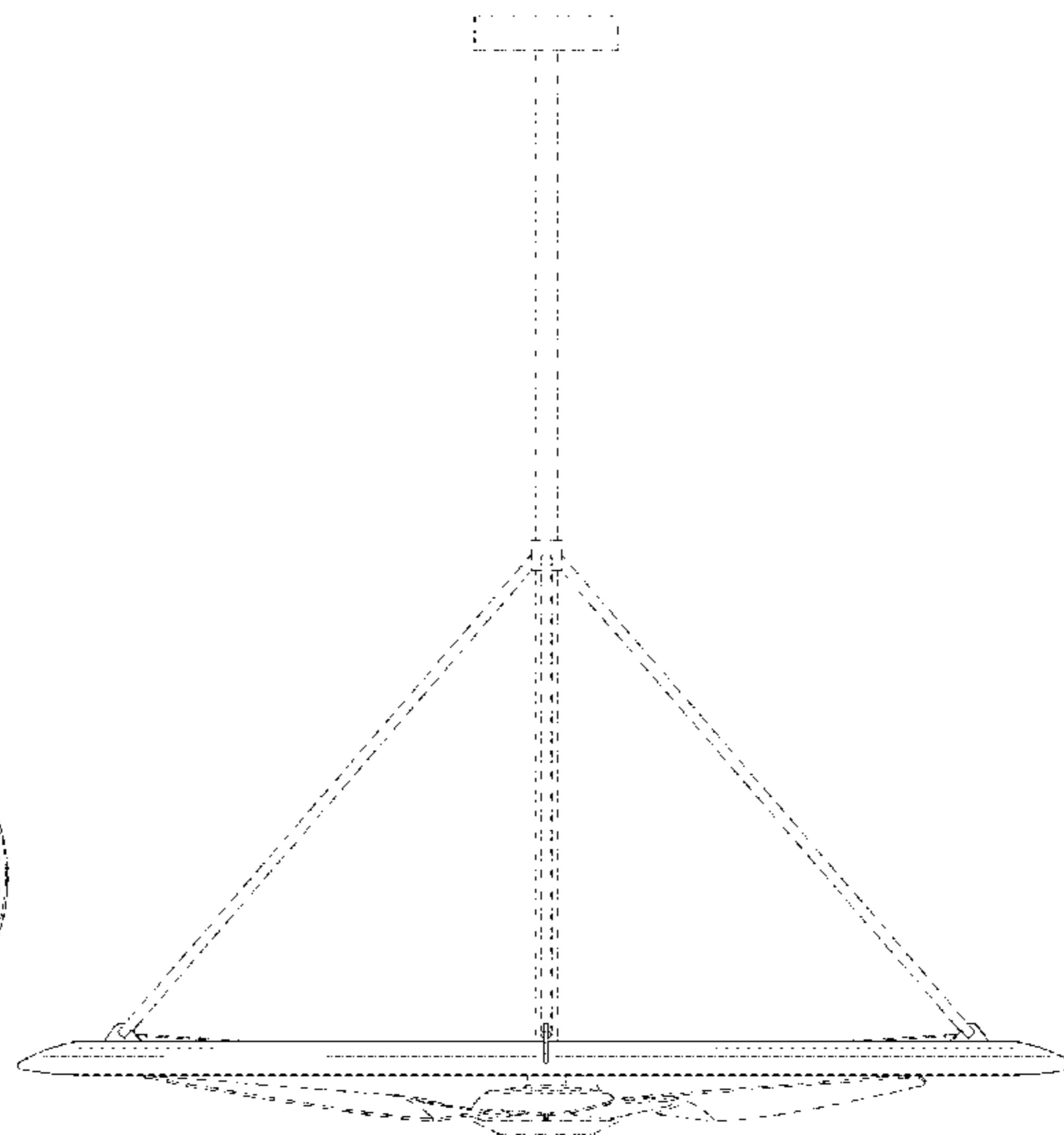
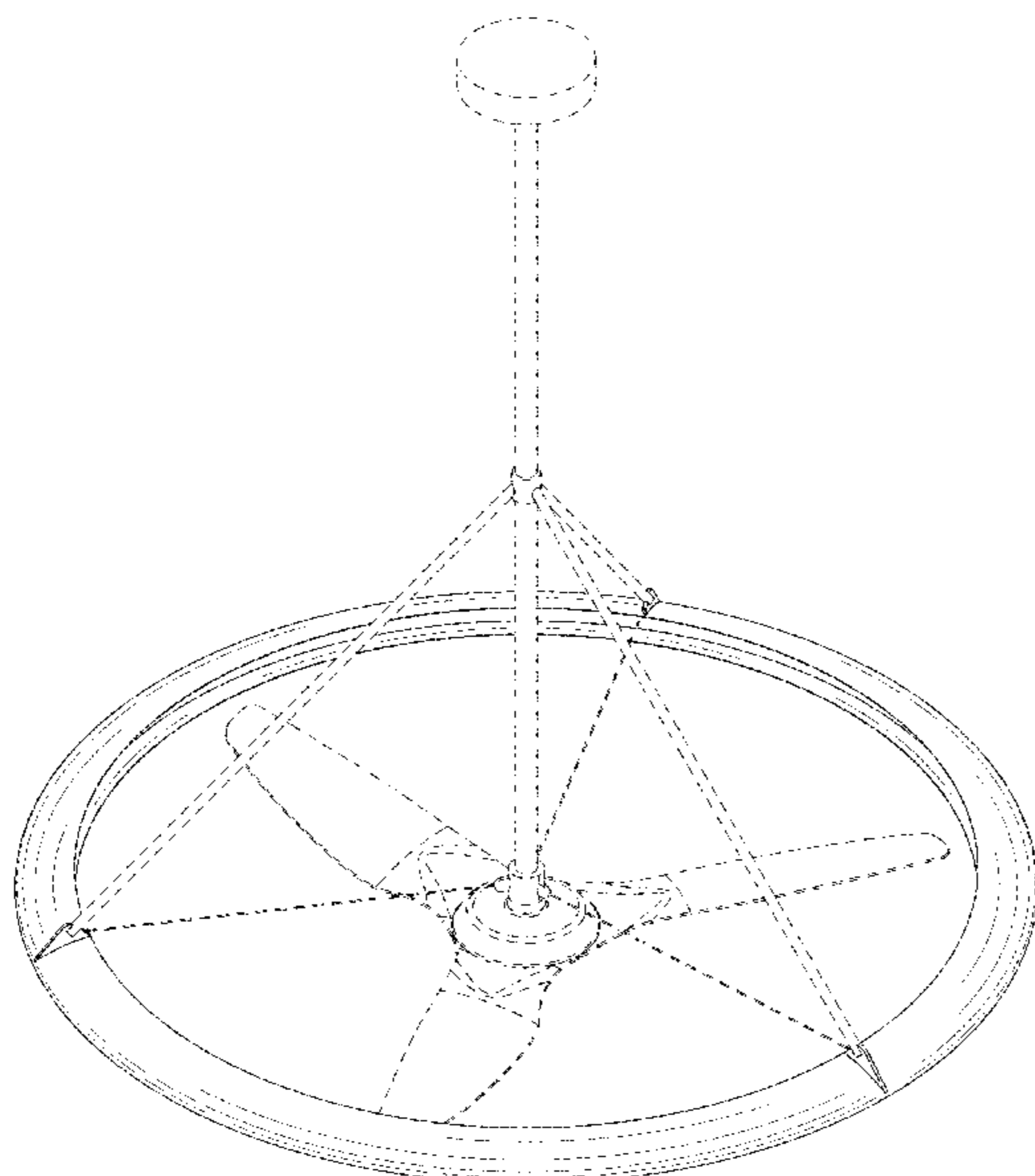
(57) **CLAIM**

The ornamental design for a ceiling light, as shown and described.

**DESCRIPTION**

FIG. 1 is a top perspective view of the ceiling light; FIG. 2 is a bottom perspective view of the ceiling light of FIG. 1; FIG. 3 is a front view of the ceiling light of FIG. 1; FIG. 4 is a right side view of the ceiling light of FIG. 1; FIG. 5 is a rear view of the ceiling light of FIG. 1; FIG. 6 is a left side view of the ceiling light of FIG. 1; FIG. 7 is a bottom view of the ceiling light of FIG. 1; and, FIG. 8 is a top view of the ceiling light of FIG. 1. The broken lines in the drawings illustrate environmental subject matter and form no part of the claimed design.

**1 Claim, 8 Drawing Sheets**



(56)

**References Cited**

U.S. PATENT DOCUMENTS

10,072,827 B2 \* 9/2018 Clark ..... F21S 2/00  
D835,328 S \* 12/2018 Silver ..... D26/90  
D860,430 S \* 9/2019 Orozco ..... D23/377  
2014/0199186 A1 \* 7/2014 Nicolas ..... F04D 29/403  
417/84  
2015/0285451 A1 \* 10/2015 Luo ..... F21S 8/061  
362/96

OTHER PUBLICATIONS

Fosters + Partners, Proposal for The Murray, Bespoke design of Haiku Fan, 2017, United States.

\* cited by examiner

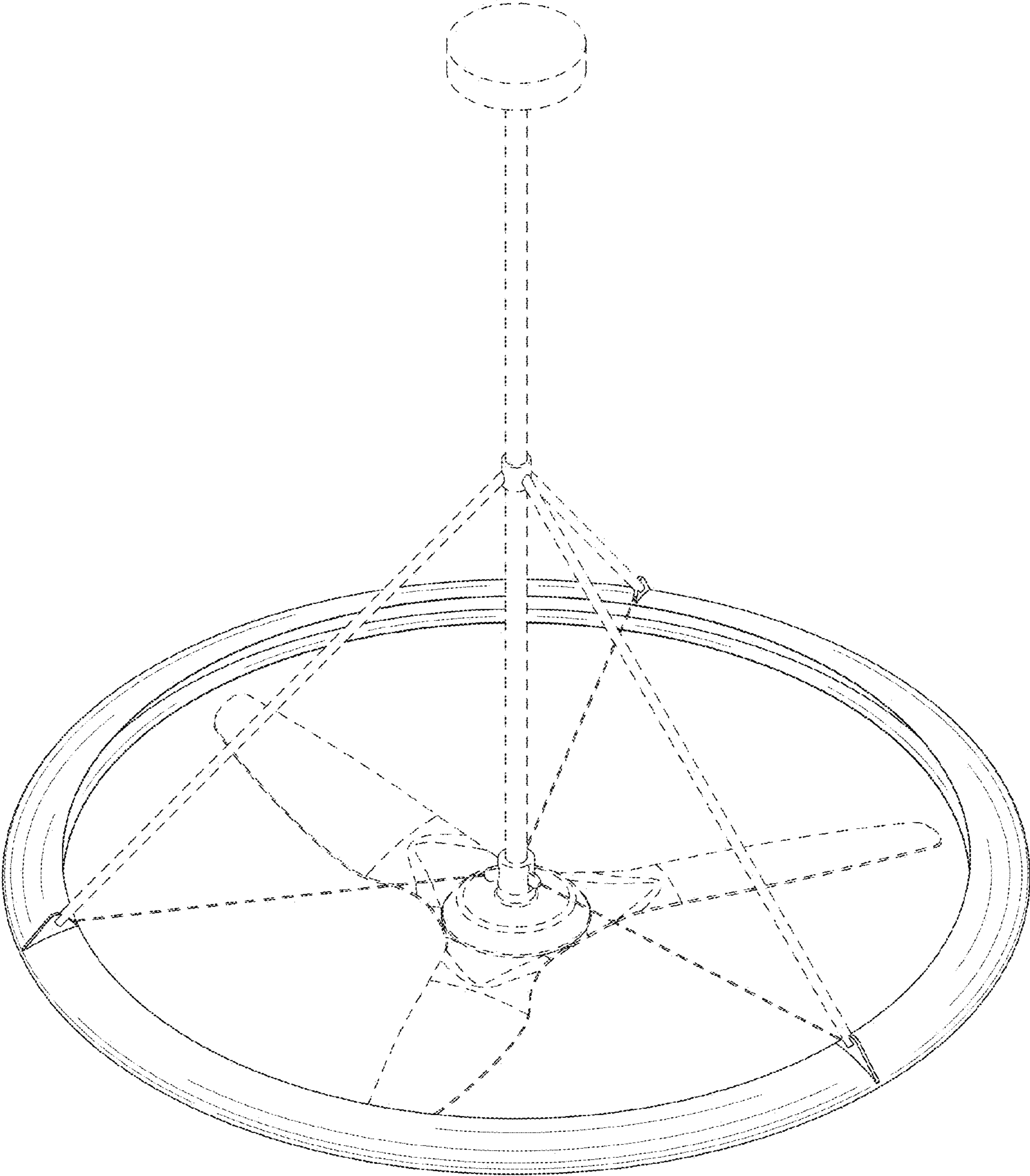


FIG. 1

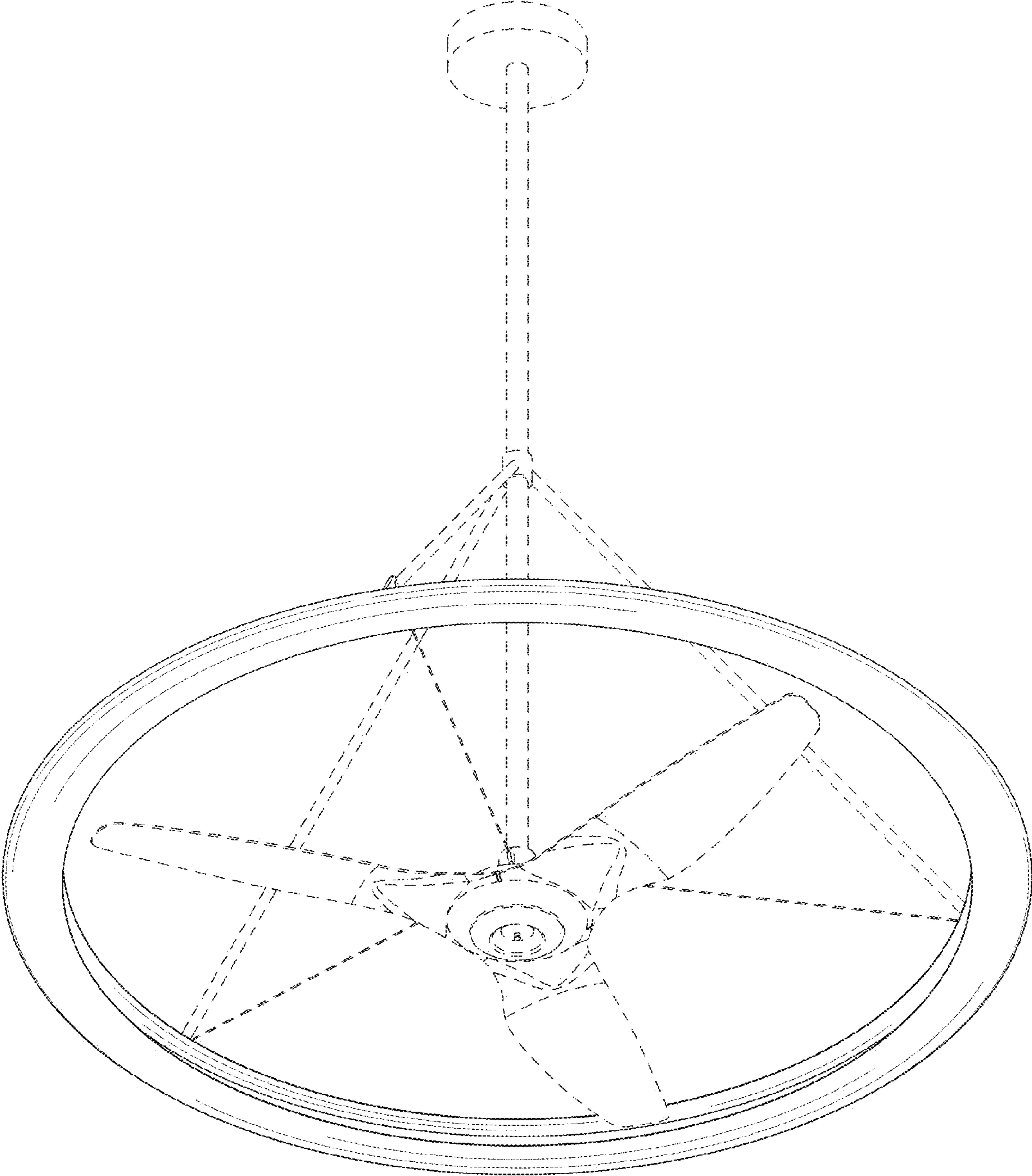


FIG. 2

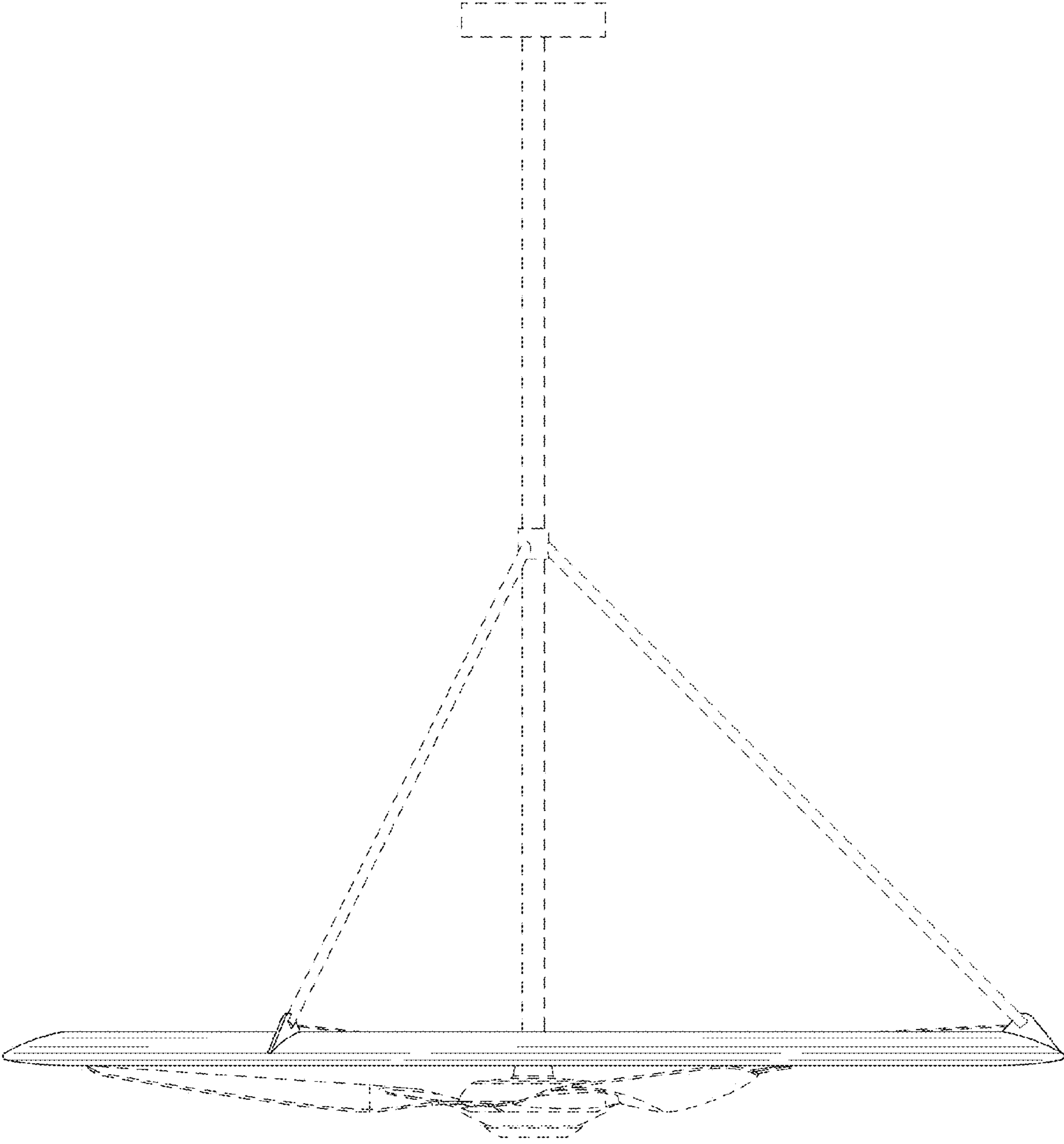


FIG. 3

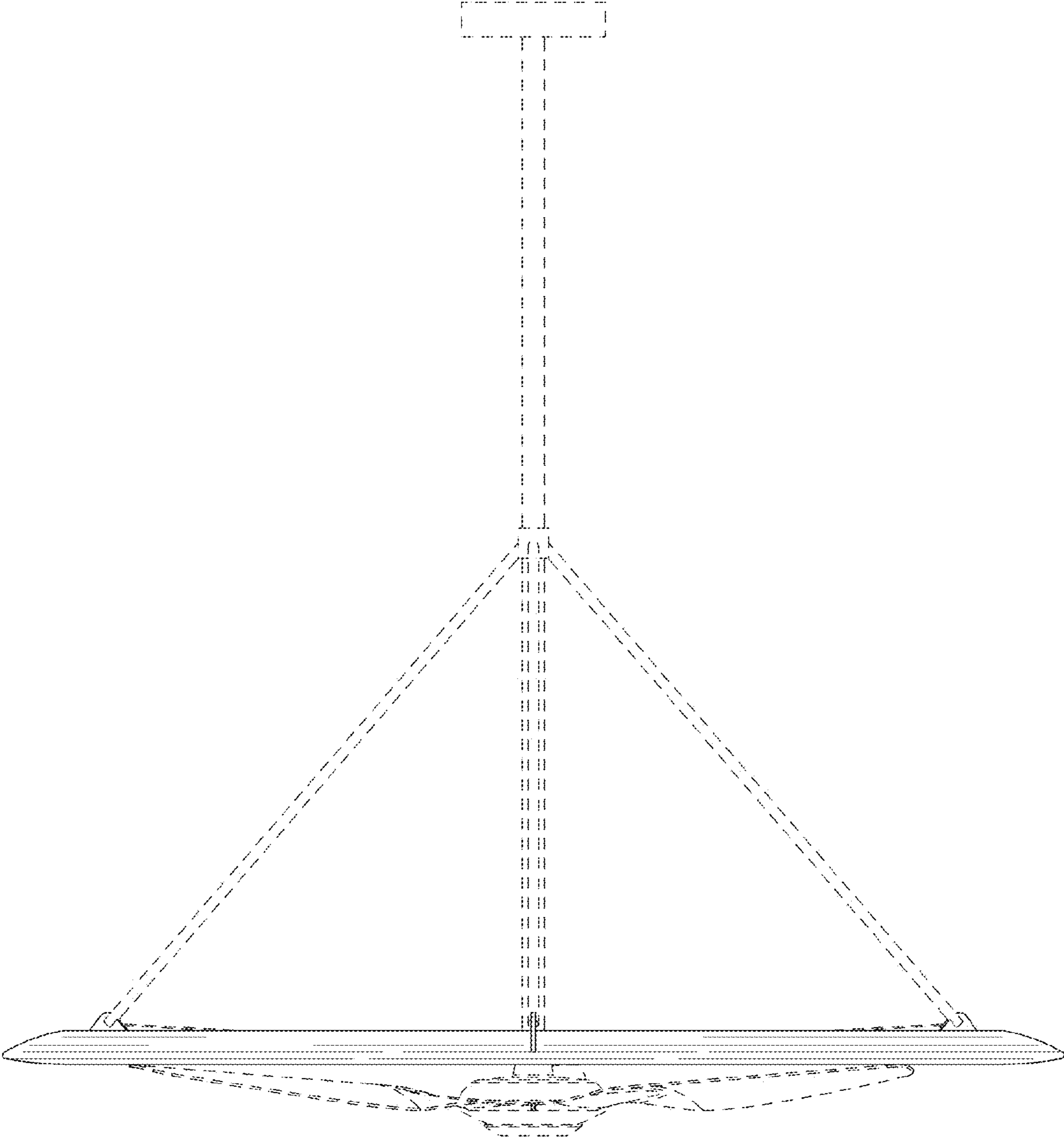


FIG. 4

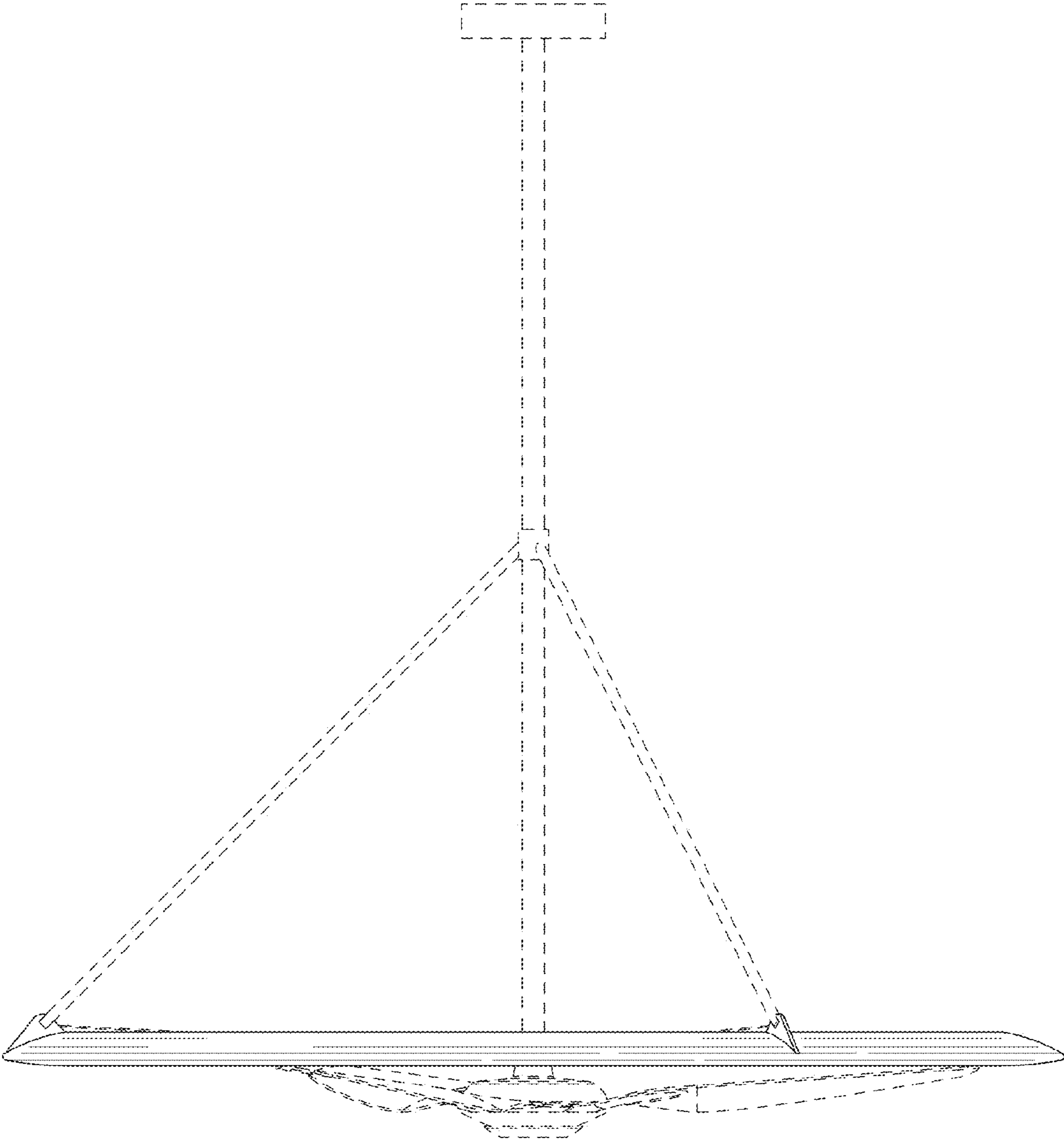


FIG. 5

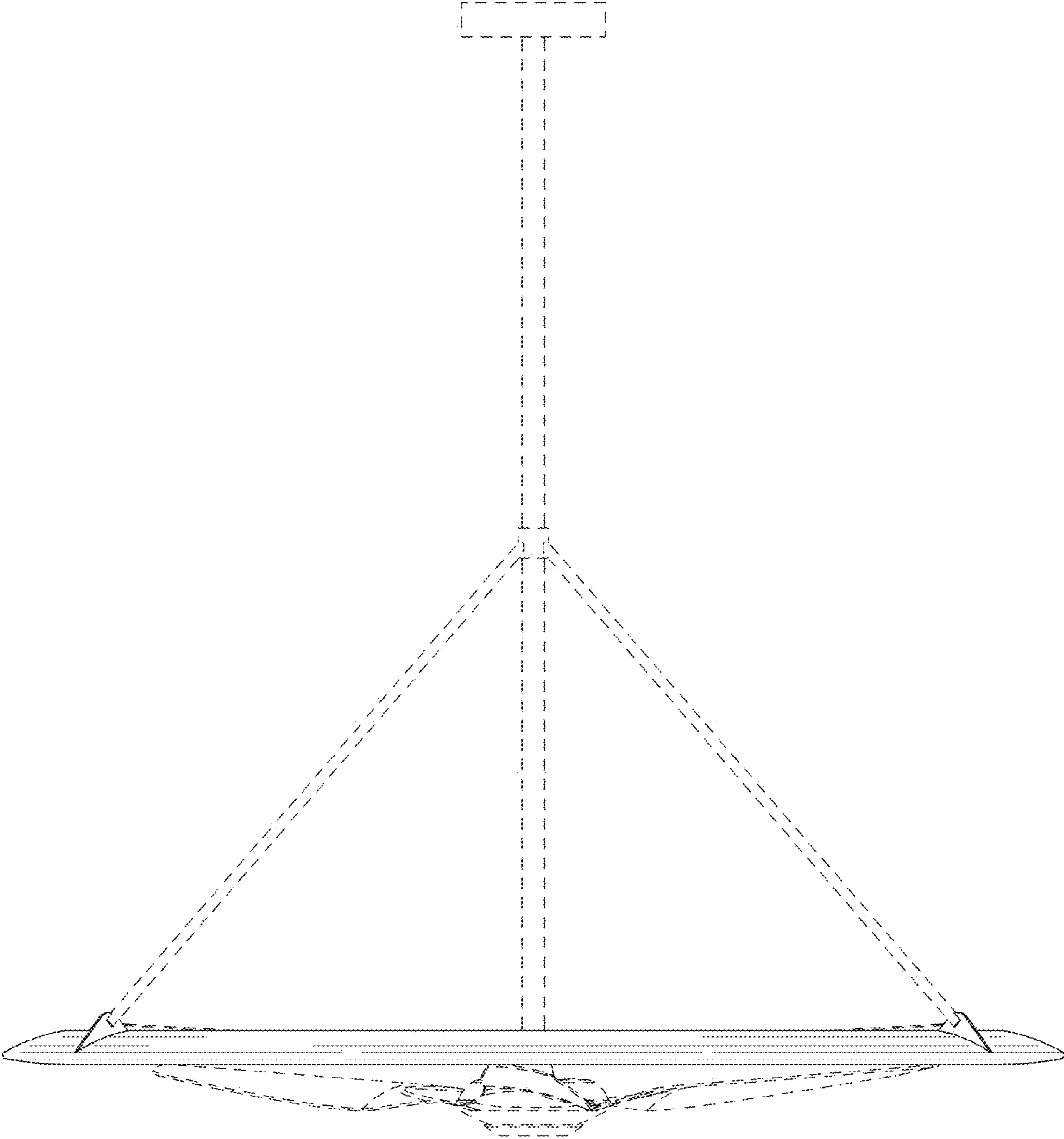


FIG. 6



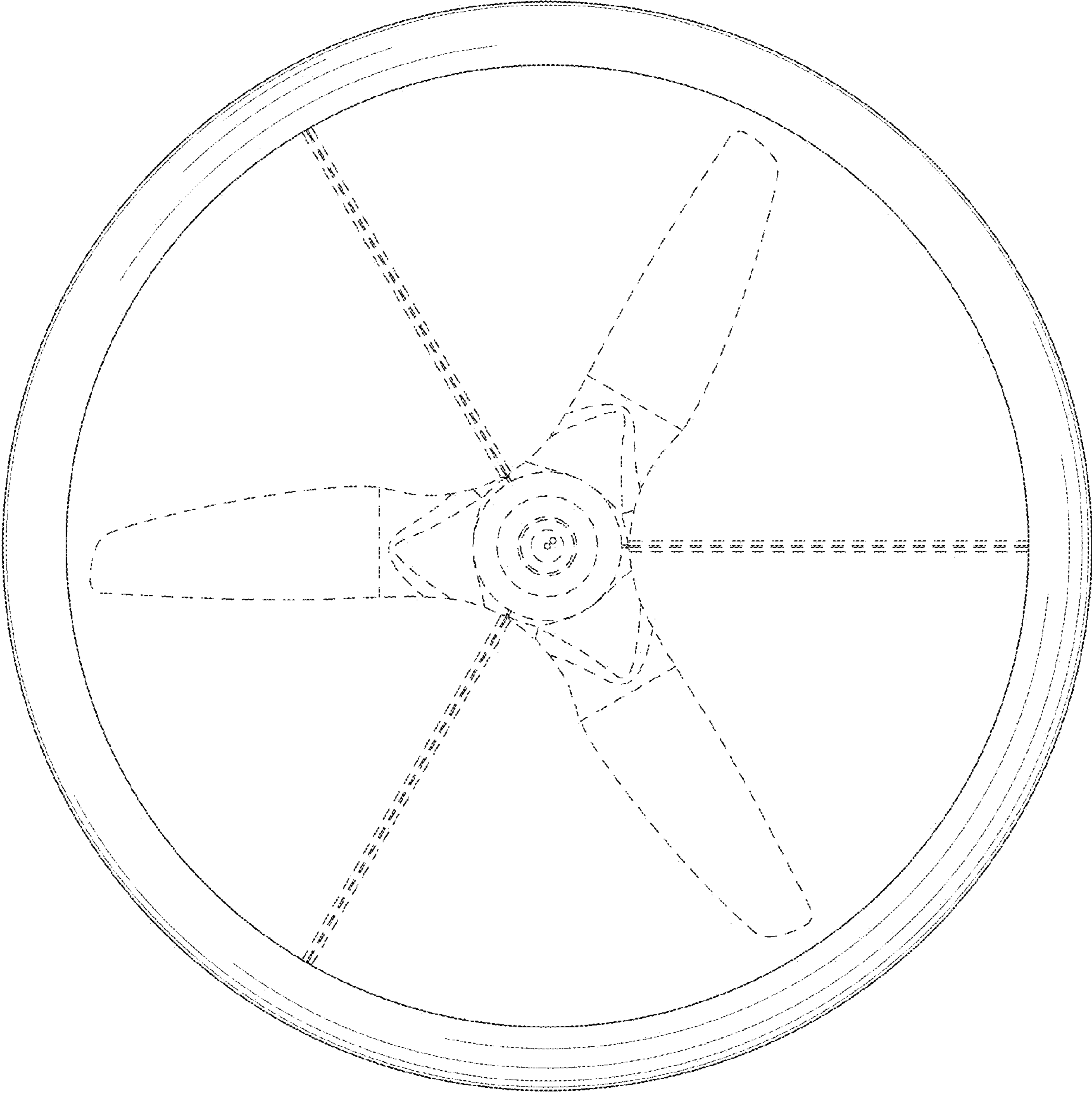


FIG. 7

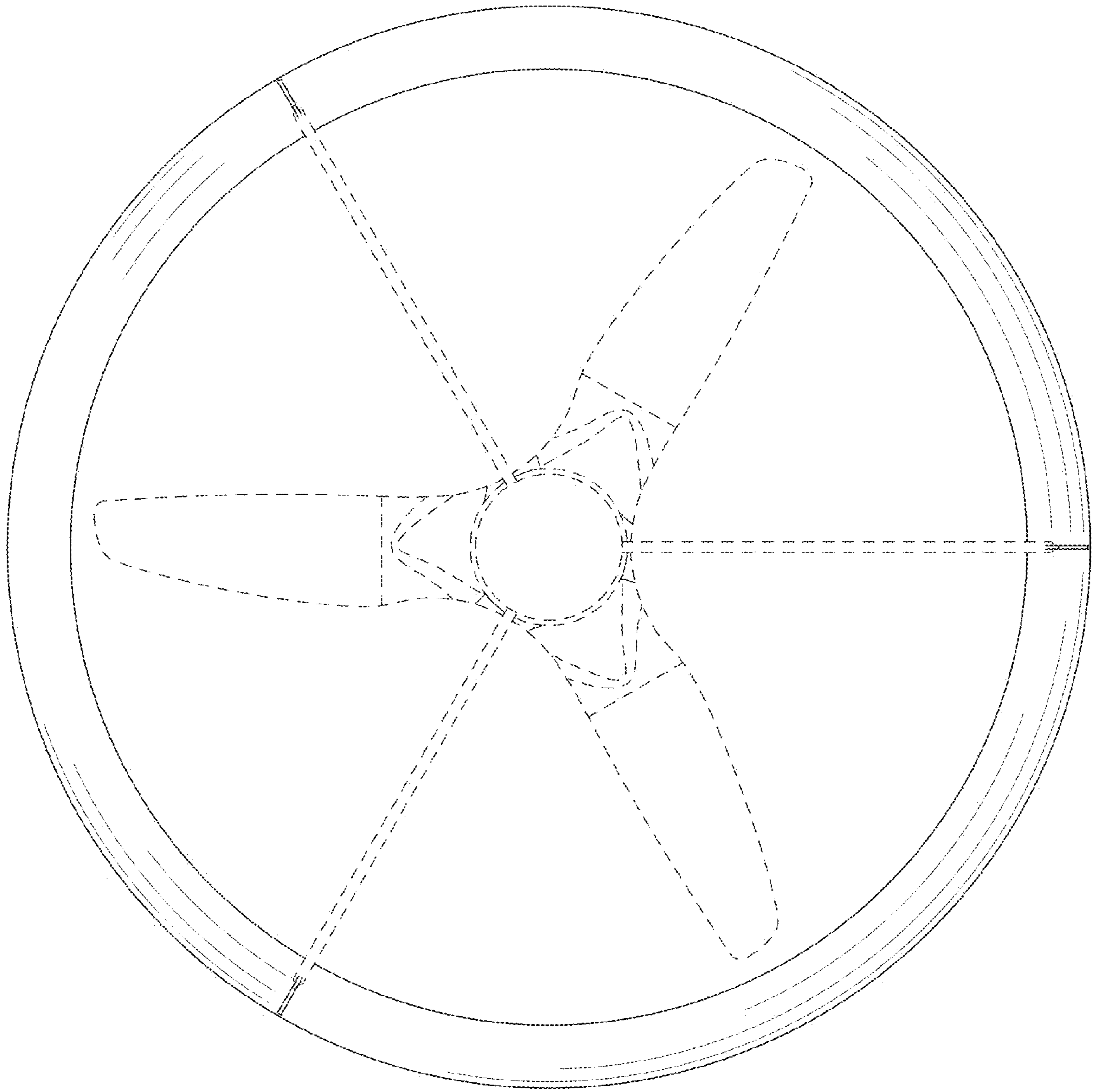


FIG. 8