

US00D890976S

(12) **United States Design Patent** (10) **Patent No.:** **US D890,976 S**  
**Farzan** (45) **Date of Patent:** **\*\* Jul. 21, 2020**

(54) **RECESSED LIGHTING FIXTURE**  
(71) Applicant: **Nora Lighting, Inc.**, Commerce, CA (US)

D613,444 S 4/2010 Rashidi  
7,717,390 B1 5/2010 Rashidi  
D617,934 S 6/2010 Rashidi  
(Continued)

(72) Inventor: **Fred Farzan**, Beverly Hills, CA (US)

**FOREIGN PATENT DOCUMENTS**

(73) Assignee: **Nora Lighting, Inc.**, Commerce, CA (US)

TW D125812 11/2008  
TW D149249 9/2012  
TW D163210 9/2014

(\*\*) Term: **15 Years**

**OTHER PUBLICATIONS**

(21) Appl. No.: **29/658,094**

Taiwan Office Action for Patent Appl. No. 105304405 dated Mar. 2, 2017—3 pages.

(22) Filed: **Jul. 27, 2018**

(Continued)

**Related U.S. Application Data**

(62) Division of application No. 29/553,398, filed on Feb. 1, 2016, now Pat. No. Des. 824,567.

*Primary Examiner* — Angela J Lee

(74) *Attorney, Agent, or Firm* — K&L Gates LLP

(51) **LOC (12) Cl.** ..... **26-05**

(57) **CLAIM**

The ornamental design for a recessed lighting fixture, as shown and described.

(52) **U.S. Cl.**

USPC ..... **D26/74**

(58) **Field of Classification Search**

**DESCRIPTION**

USPC ..... D26/74, 72, 75, 76, 77, 78, 85, 88, 89, D26/118, 138, 141, 61; 362/364, 365, 362/373, 145, 146, 147, 148, 150, 153, 362/153.1, 294, 296.01, 296, 296.08  
CPC ..... F21V 29/2262; F21V 7/06; F21V 21/044; F21V 21/047; F21V 29/2212; F21V 29/2225; F21V 29/2256; F21V 29/225; F21V 29/2268; F21Y 2111/002; F21S 8/02; F21S 8/026  
See application file for complete search history.

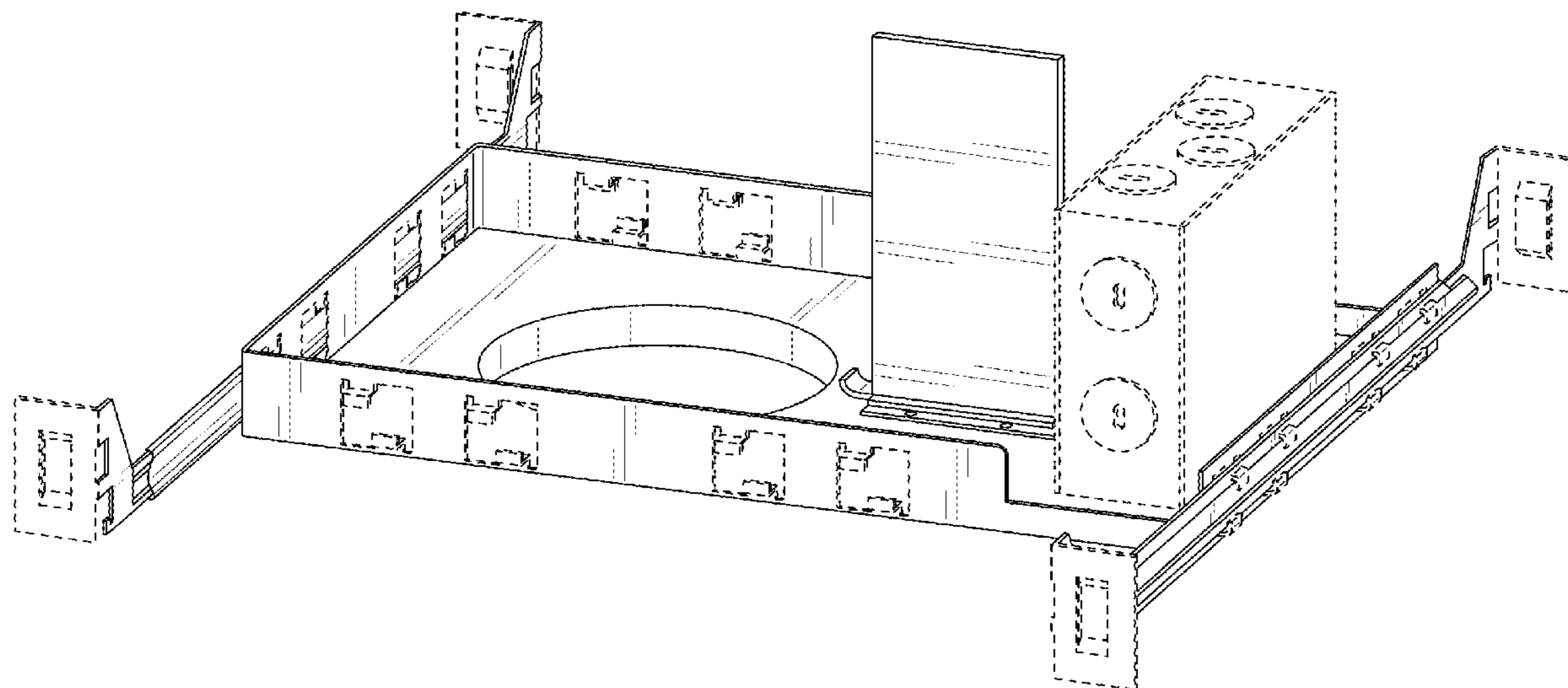
FIG. 1 illustrates a perspective view of a top side of the recessed lighting fixture.  
FIG. 2 illustrates a perspective view of a top side of the recessed lighting fixture.  
FIG. 3 illustrates a side-perspective view of the recessed lighting fixture.  
FIG. 4 illustrates a plan-perspective view of a top side of the recessed lighting fixture.  
FIG. 5 illustrates a perspective view of a bottom side of the recessed lighting fixture; and,  
FIG. 6 illustrates a perspective view of a top side of the recessed lighting fixture, but with a portion removed for clarity of illustration.  
The broken lines shown in the drawings represent portions of the recessed lighting fixture that form no part of the claimed design.

(56) **References Cited**

**U.S. PATENT DOCUMENTS**

5,440,471 A \* 8/1995 Zadeh ..... F21V 23/02 362/147  
5,957,574 A 9/1999 Hentz  
D571,944 S 6/2008 Pickard  
D596,330 S 7/2009 Pickard

**1 Claim, 6 Drawing Sheets**



(56)

**References Cited**

U.S. PATENT DOCUMENTS

D624,688	S	9/2010	Johnson	
D641,909	S	7/2011	Johnson	
D642,317	S	7/2011	Rashidi	
8,328,382	B2	12/2012	Crooks	
D679,853	S	4/2013	Chiou et al.	
D715,476	S *	10/2014	Tien .....	D26/74
D789,938	S	6/2017	Lee	
D791,382	S *	7/2017	Holscher .....	D26/74
D824,567	S *	7/2018	Farzan .....	D26/74
2008/0304269	A1 *	12/2008	Pickard .....	F21V 21/048 362/365
2009/0086476	A1 *	4/2009	Tickner .....	F21S 8/02 362/231
2016/0084488	A1	3/2016	Wu	
2016/0327251	A1	11/2016	Clark	
2017/0167699	A1 *	6/2017	Schubert .....	F21S 8/026
2017/0248298	A1 *	8/2017	Wu .....	F21V 25/125
2017/0268742	A1 *	9/2017	White .....	F21V 29/70
2017/0307201	A1 *	10/2017	Mathews .....	F21V 29/70
2018/0119907	A1 *	5/2018	O'Brien .....	F21V 21/048
2018/0187844	A1 *	7/2018	Lavin .....	F21S 8/026
2018/0202634	A1 *	7/2018	Farzan .....	F21V 23/009

OTHER PUBLICATIONS

Taiwan Office Action for Patent Appl. No. 105304405 dated Mar. 2, 2017 (English translation)—3 pages.

Chinese Office Action for Patent Appl. No. 201630360390.3 dated Nov. 2, 2016—1 page.

\* cited by examiner

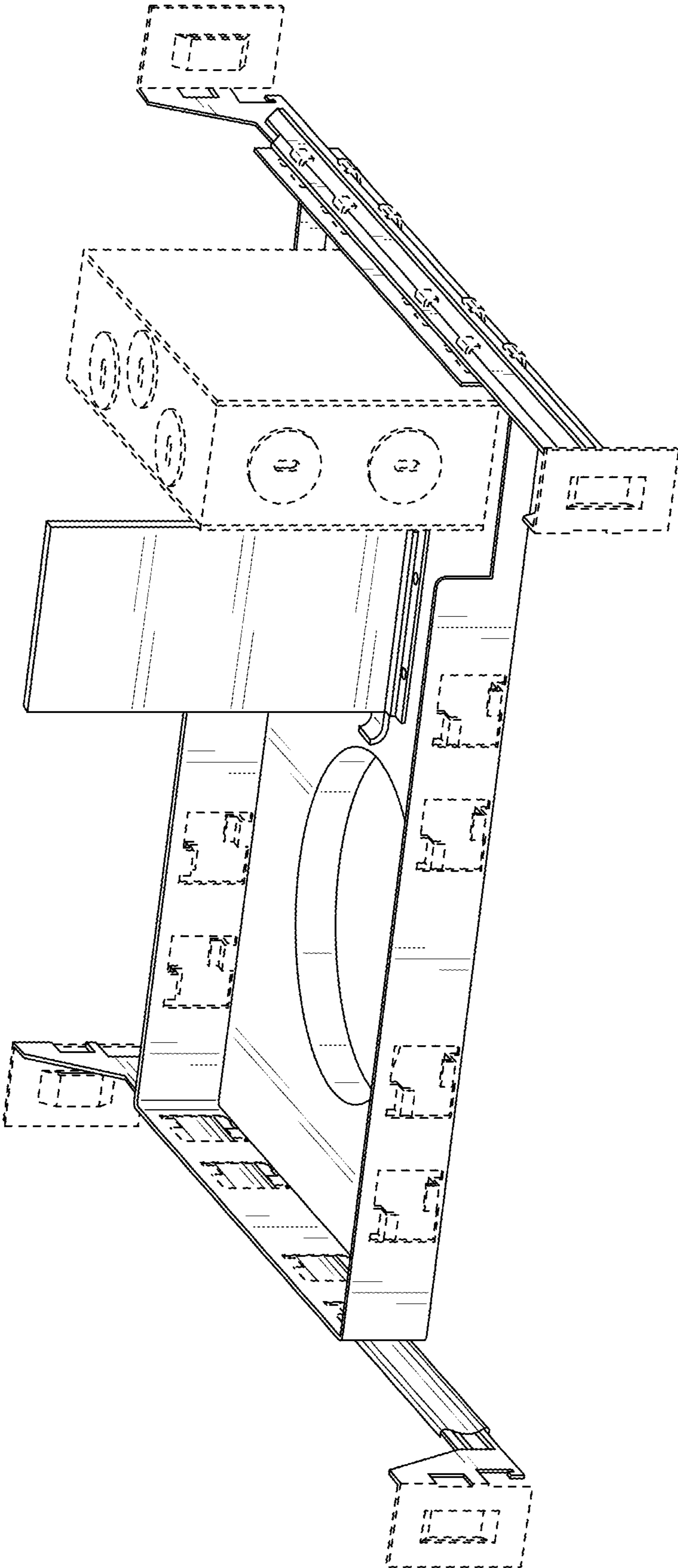


FIG. 1

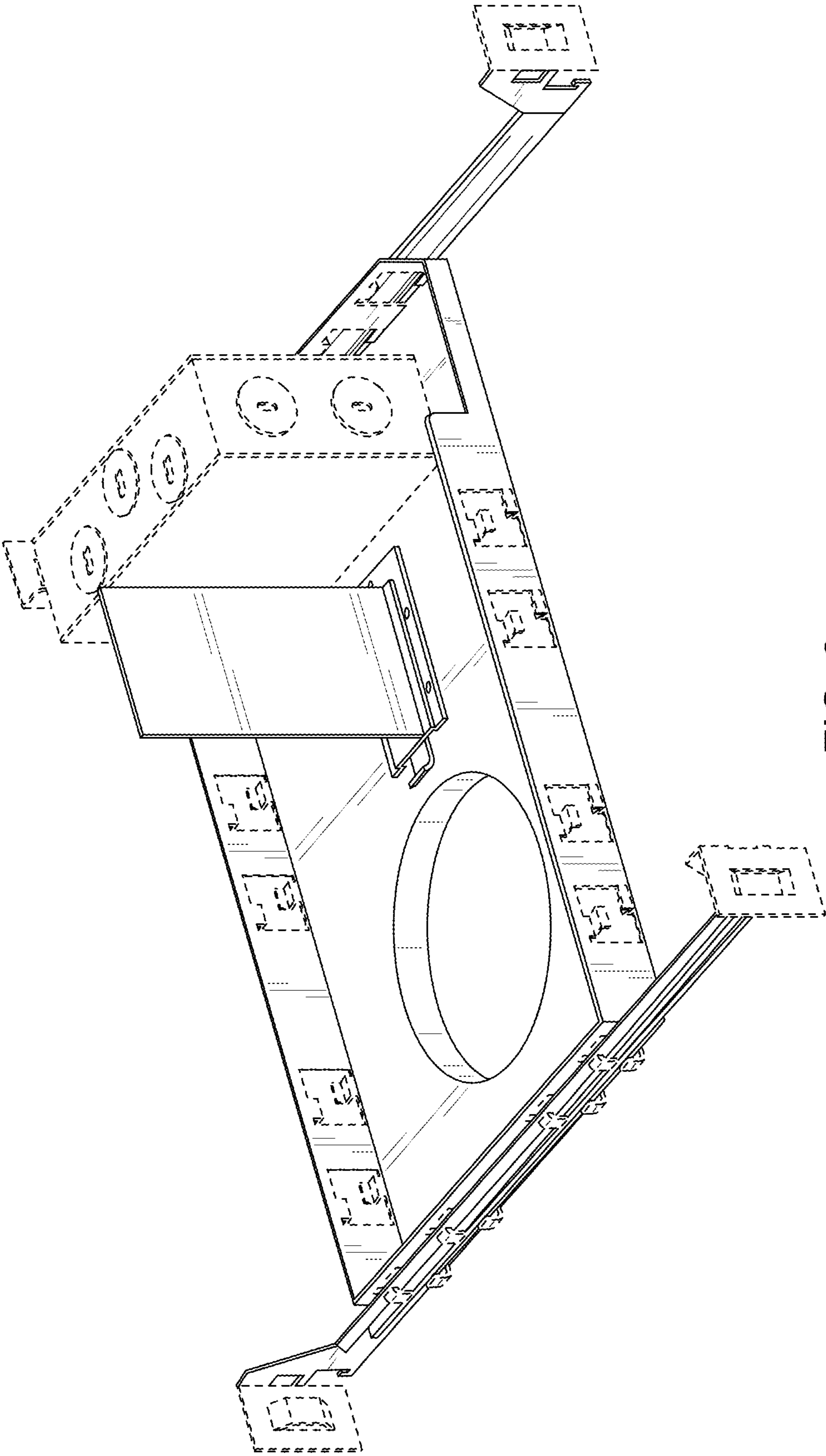


FIG. 2



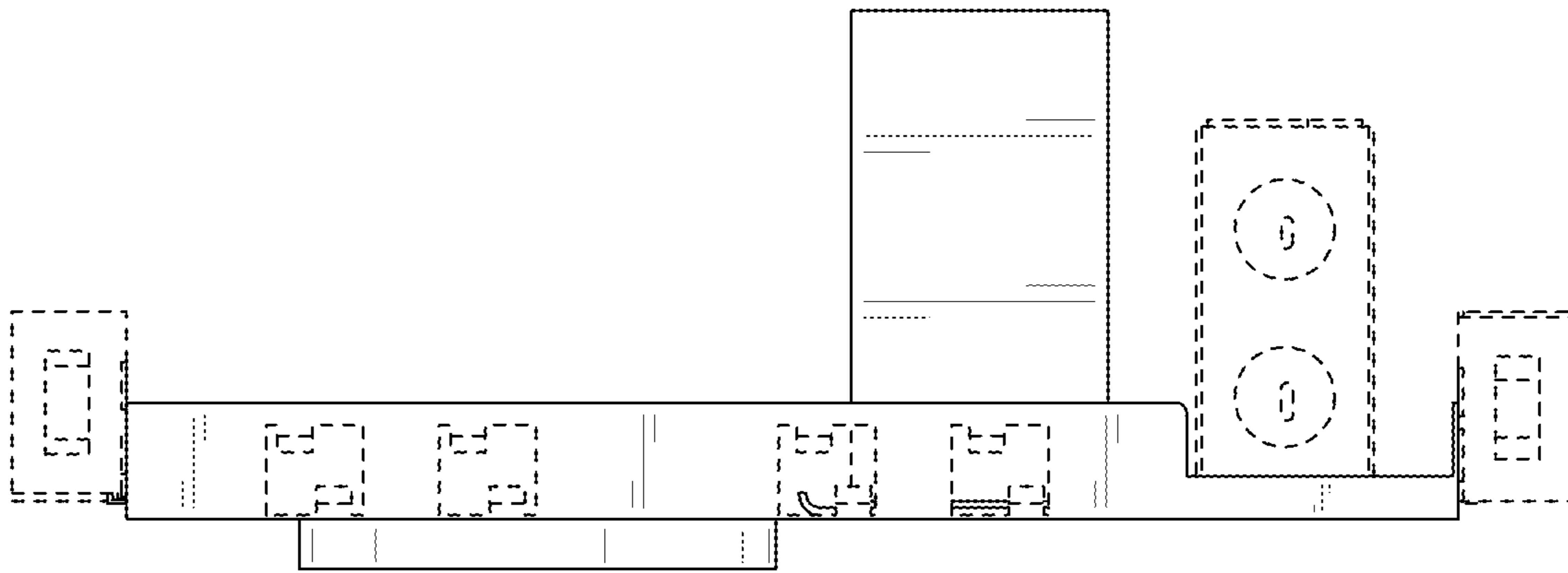


FIG. 3

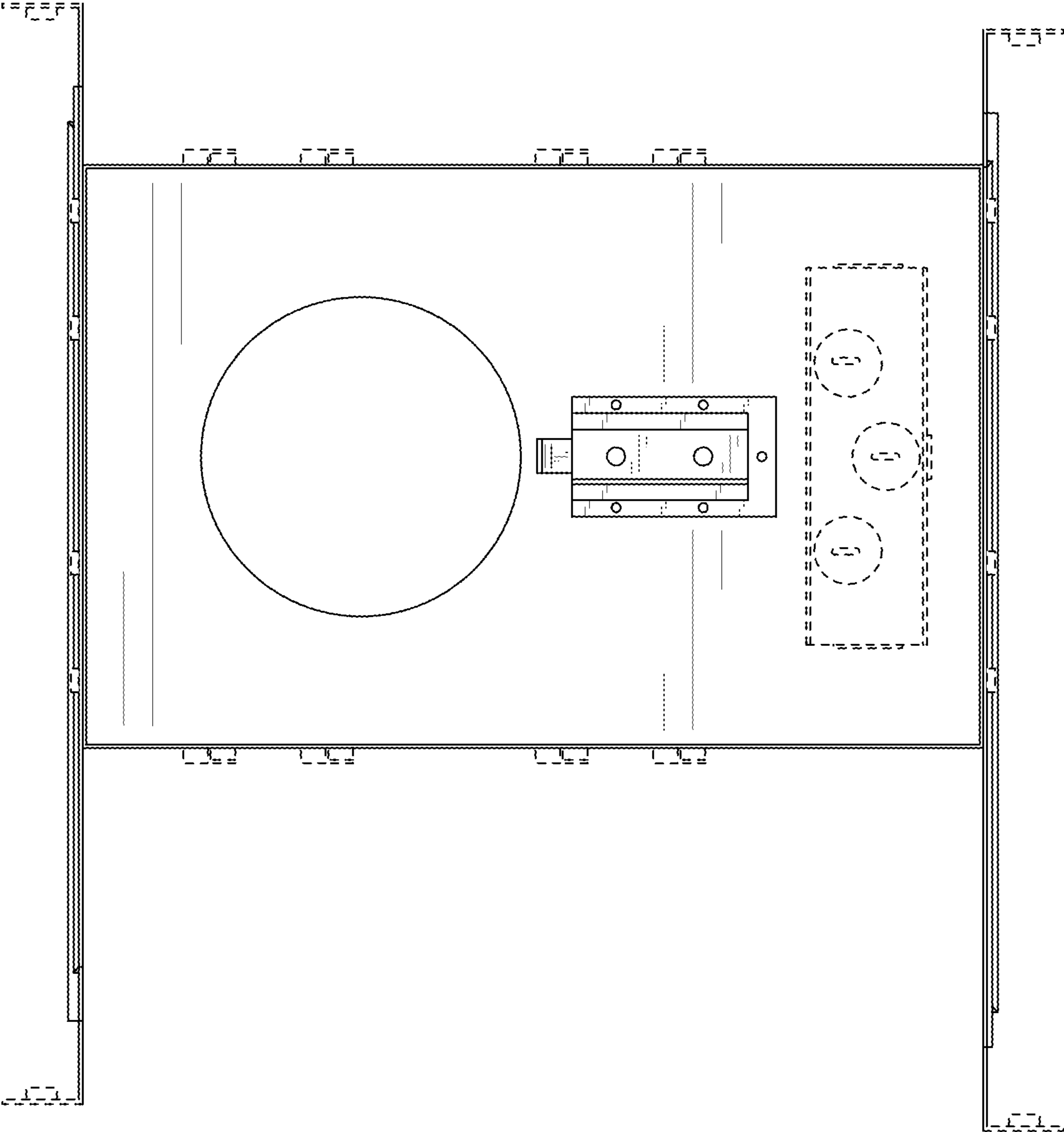


FIG. 4

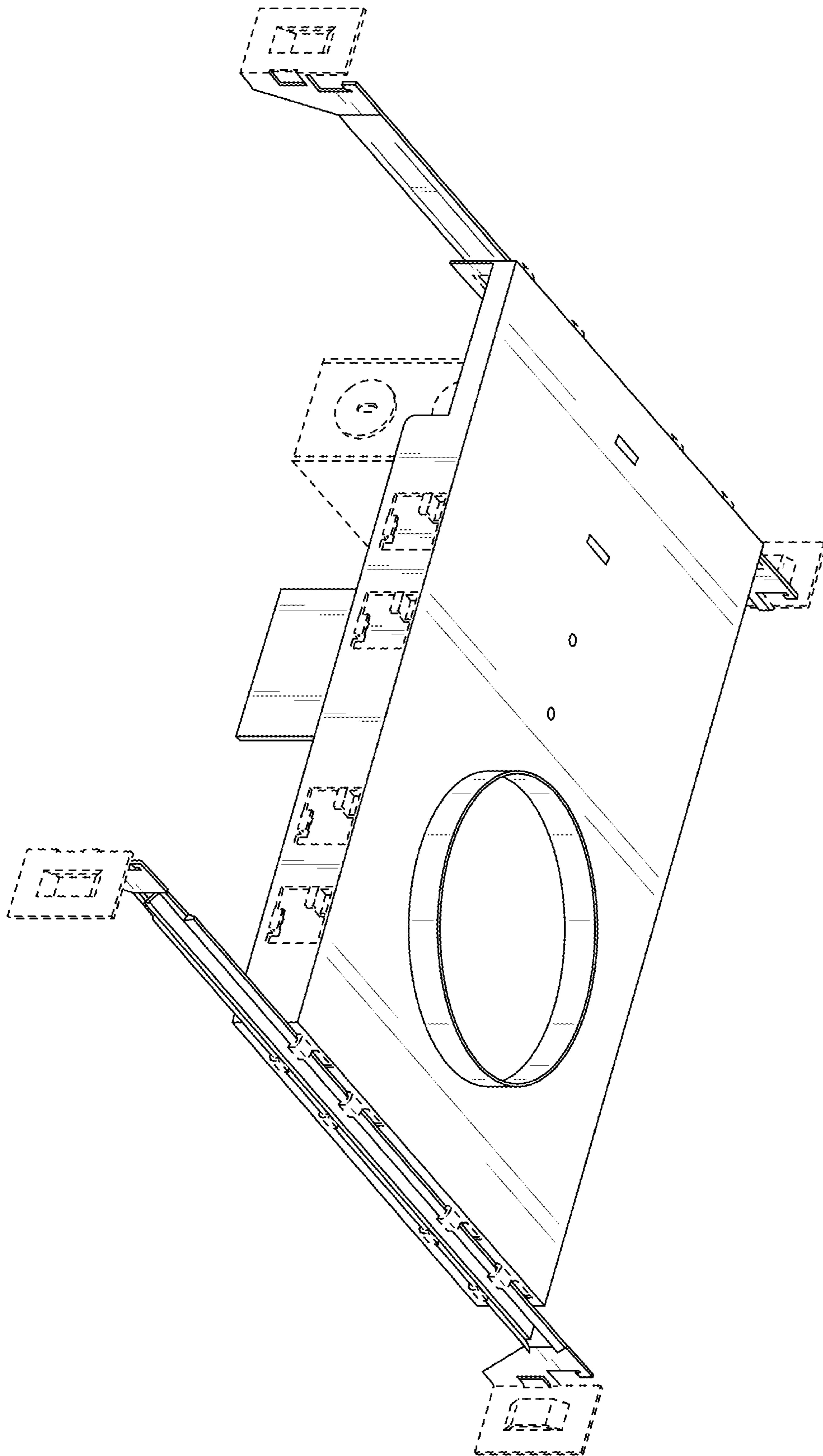


FIG. 5

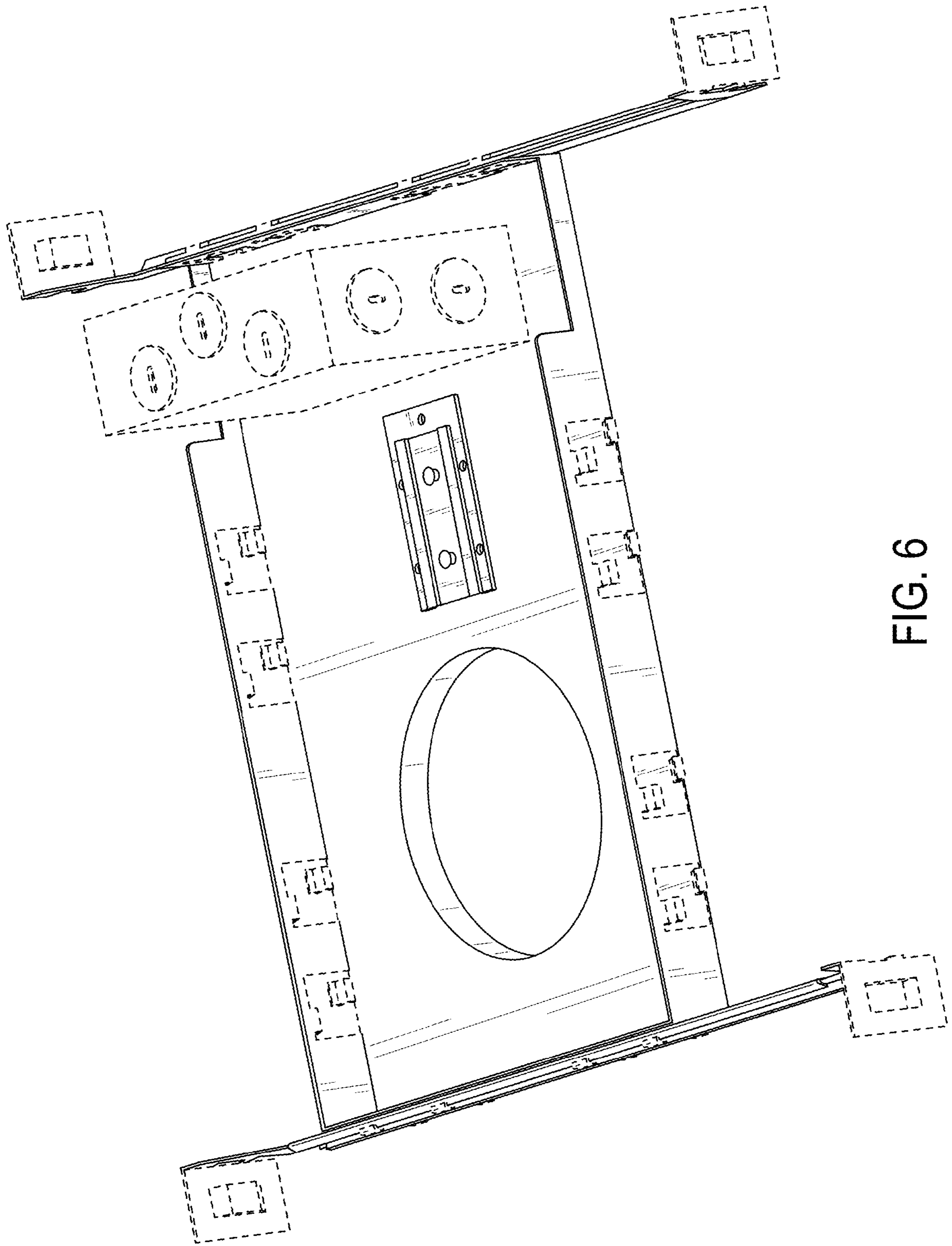


FIG. 6