



US00D890974S

(12) **United States Design Patent**  
**Huang**

(10) **Patent No.:** **US D890,974 S**

(45) **Date of Patent:** **\*\* Jul. 21, 2020**

(54) **LED PROJECTOR LIGHT**

(71) Applicant: **Shenzhen Juerui Industrial Co., Ltd.**,  
Shenzhen (CN)

(72) Inventor: **Rong Huang**, Shenzhen (CN)

(\*\*) Term: **15 Years**

(21) Appl. No.: **29/733,365**

(22) Filed: **May 1, 2020**

(51) **LOC (12) Cl.** ..... **26-03**

(52) **U.S. Cl.**  
USPC ..... **D26/63**

(58) **Field of Classification Search**  
USPC ..... D26/24, 60-65, 93  
CPC ..... F21S 8/00; F21S 8/02; F21S 8/003; F21S  
8/026; F21S 8/03; F21S 8/038; F21S  
8/04; F21S 8/043; F21S 6/00; F21V  
5/046; F21V 5/04; F21V 1/00; F21V  
5/00; F21V 21/02; F21V 15/01  
See application file for complete search history.

(56) **References Cited**

**U.S. PATENT DOCUMENTS**

D335,193 S \* 4/1993 Shaanan ..... D26/63  
D562,486 S \* 2/2008 Luke ..... D26/61

D715,474 S \* 10/2014 Janos ..... D26/63  
D791,367 S 7/2017 Lee et al.  
D846,784 S \* 4/2019 Luo ..... D26/63  
D851,313 S 6/2019 Zheng  
D855,231 S \* 7/2019 Huang ..... D26/63  
D857,270 S \* 8/2019 Recker ..... D26/63  
D858,846 S 9/2019 Flügel et al.  
D868,330 S \* 11/2019 Ji ..... D26/63  
D882,142 S \* 4/2020 Huang ..... D26/63

\* cited by examiner

*Primary Examiner* — Brian N. Vinson

(74) *Attorney, Agent, or Firm* — KA Filing LLC; Wayne  
V. Harper; Cynthia Flanigan

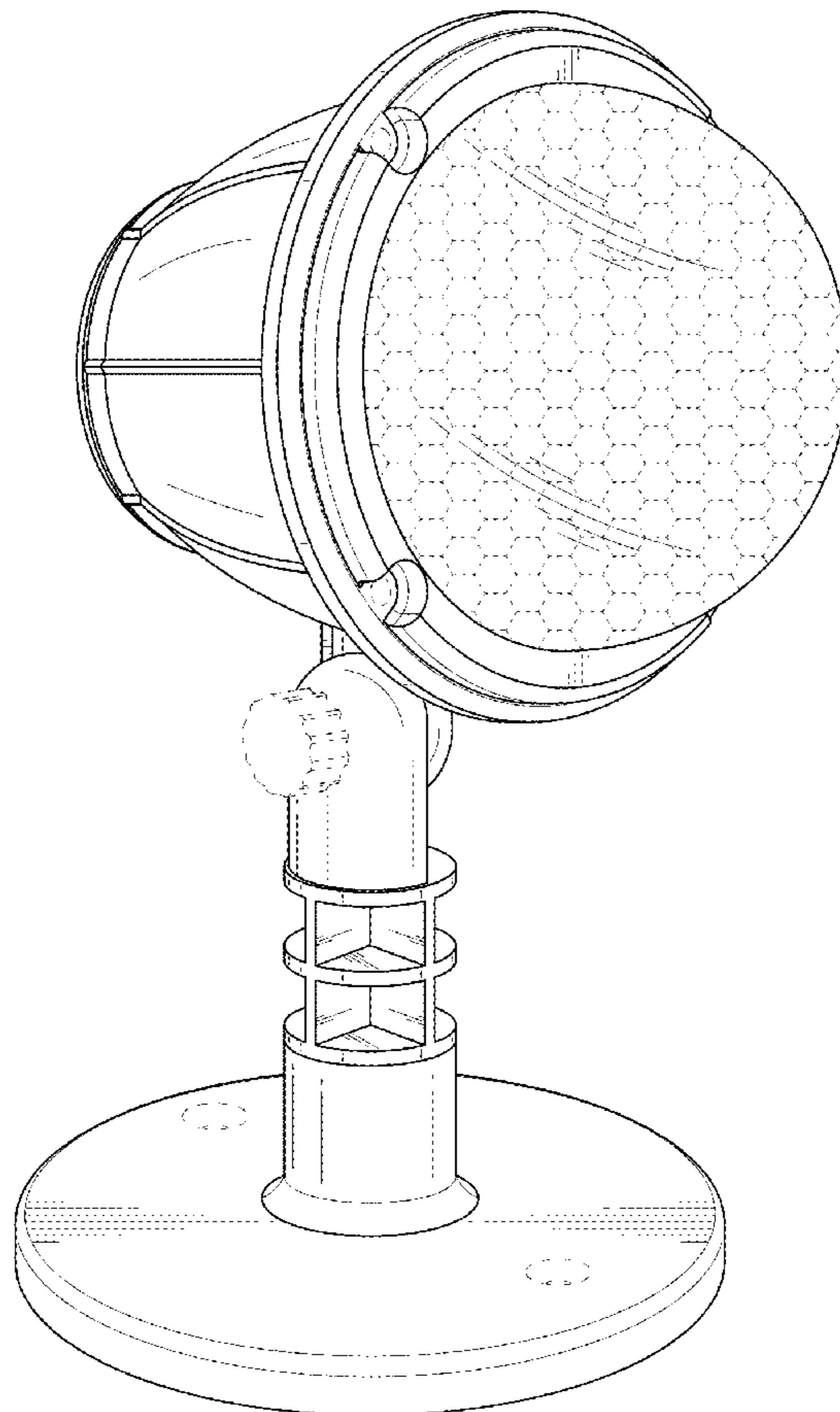
(57) **CLAIM**

I claim the ornamental design for LED projector light, as  
shown and described.

**DESCRIPTION**

FIG. 1 is a Perspective view of a LED projector light  
showing my new design;  
FIG. 2 is a front view thereof;  
FIG. 3 is a back view thereof;  
FIG. 4 is a right-side view thereof;  
FIG. 5 is a left-side view thereof;  
FIG. 6 is a top view thereof; and,  
FIG. 7 is a bottom view thereof.  
The broken line disclosure represents portions of the light  
which form no part of the claimed design.

**1 Claim, 7 Drawing Sheets**



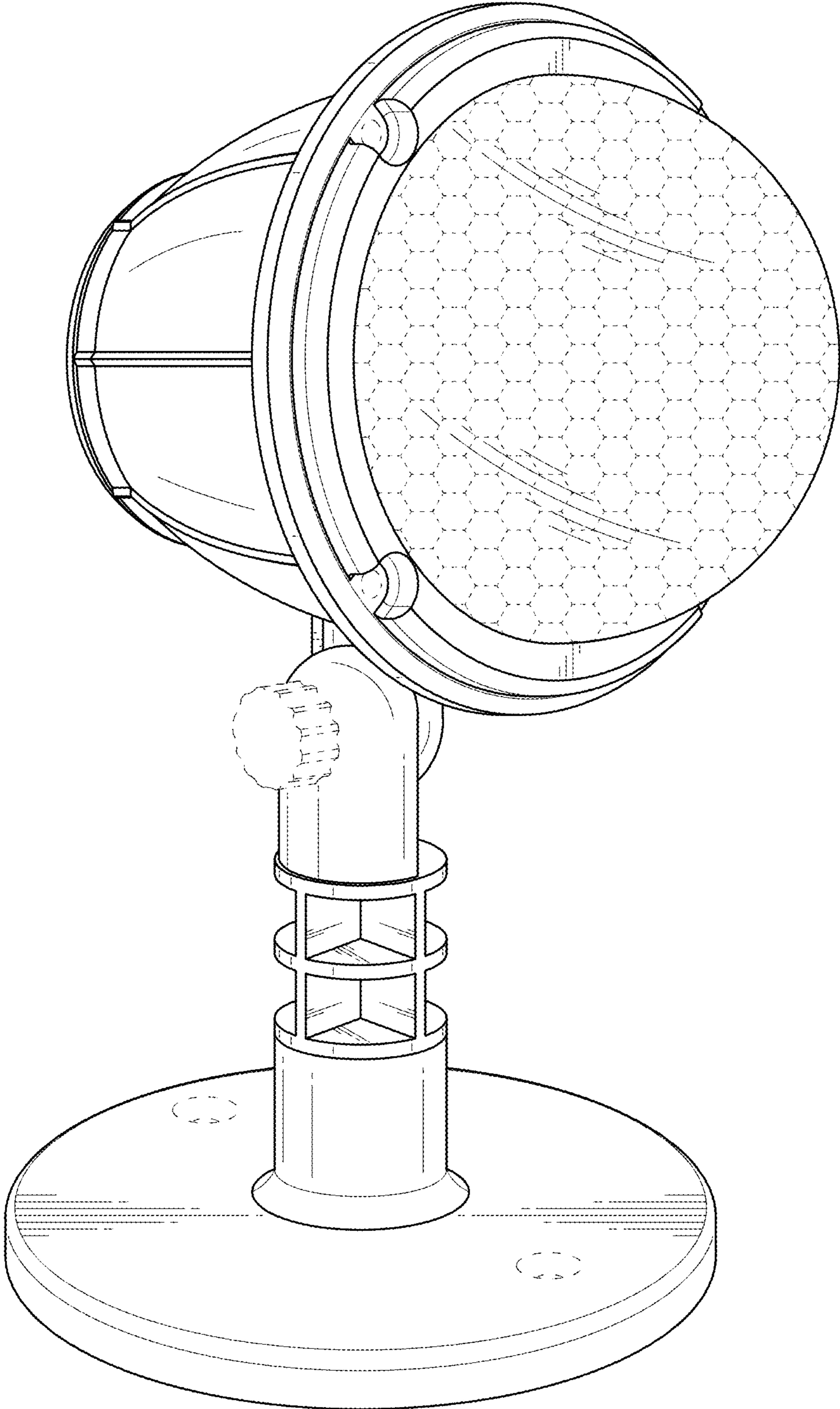


FIG. 1

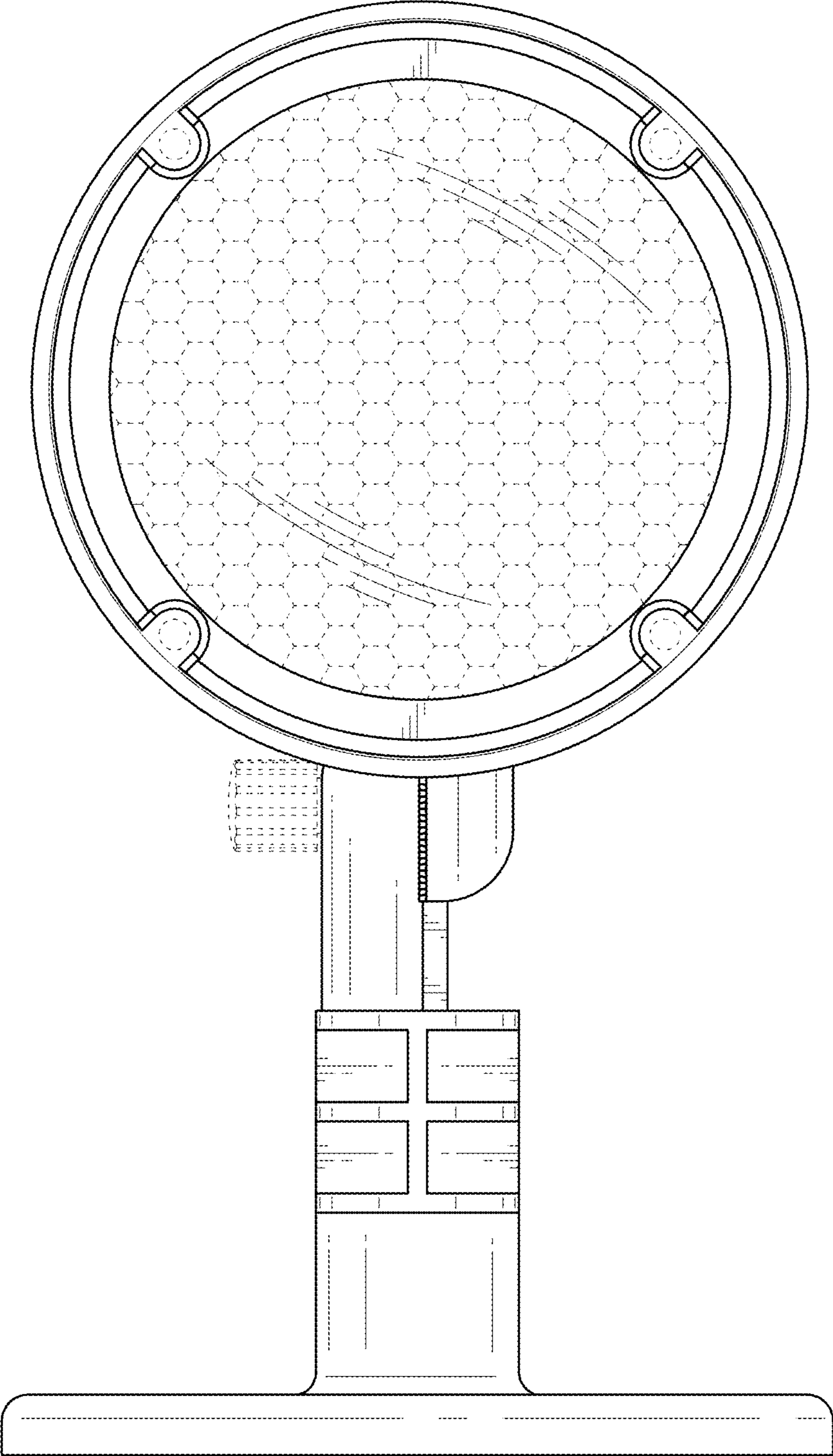


FIG. 2

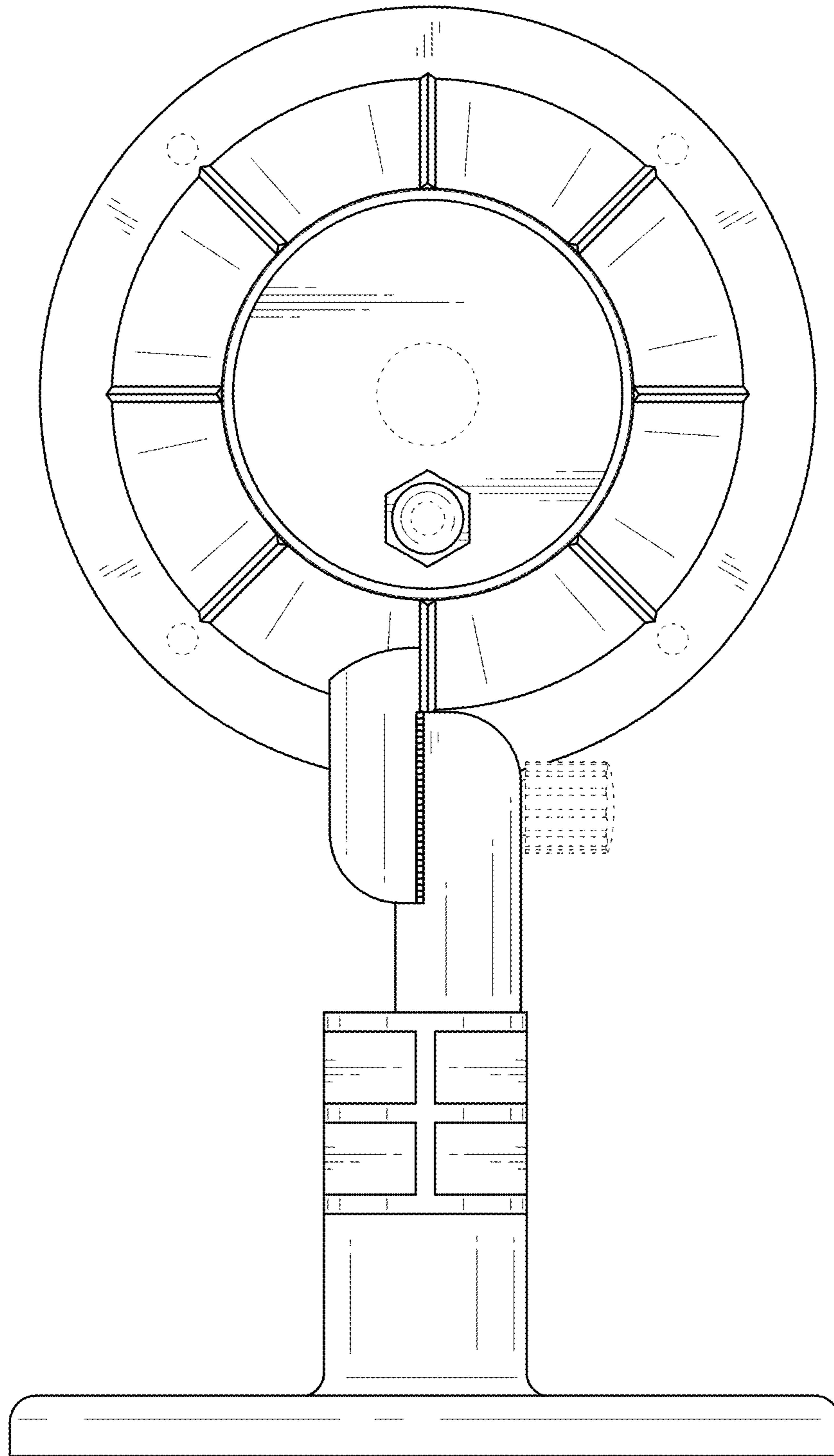


FIG. 3



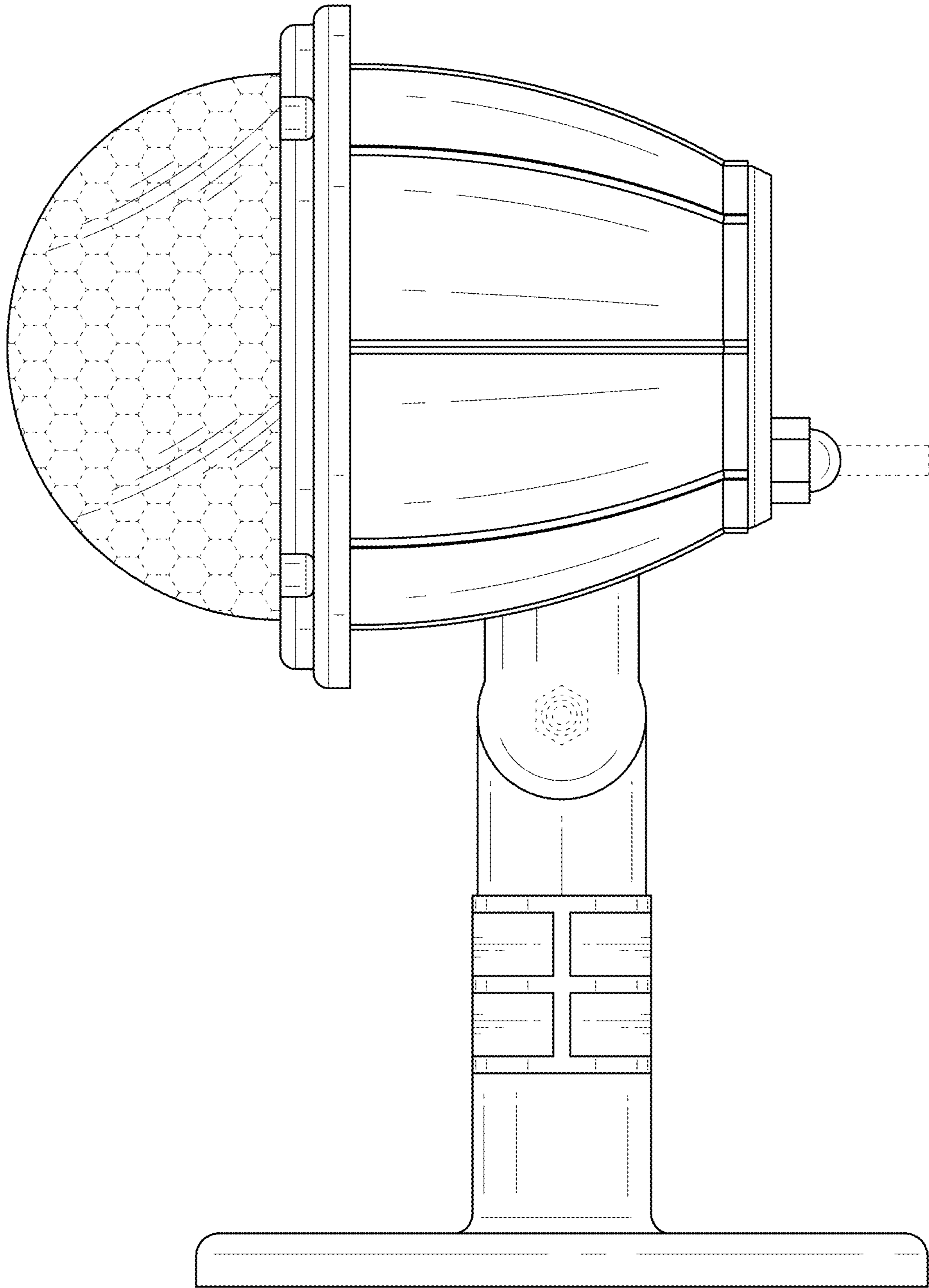


FIG. 4

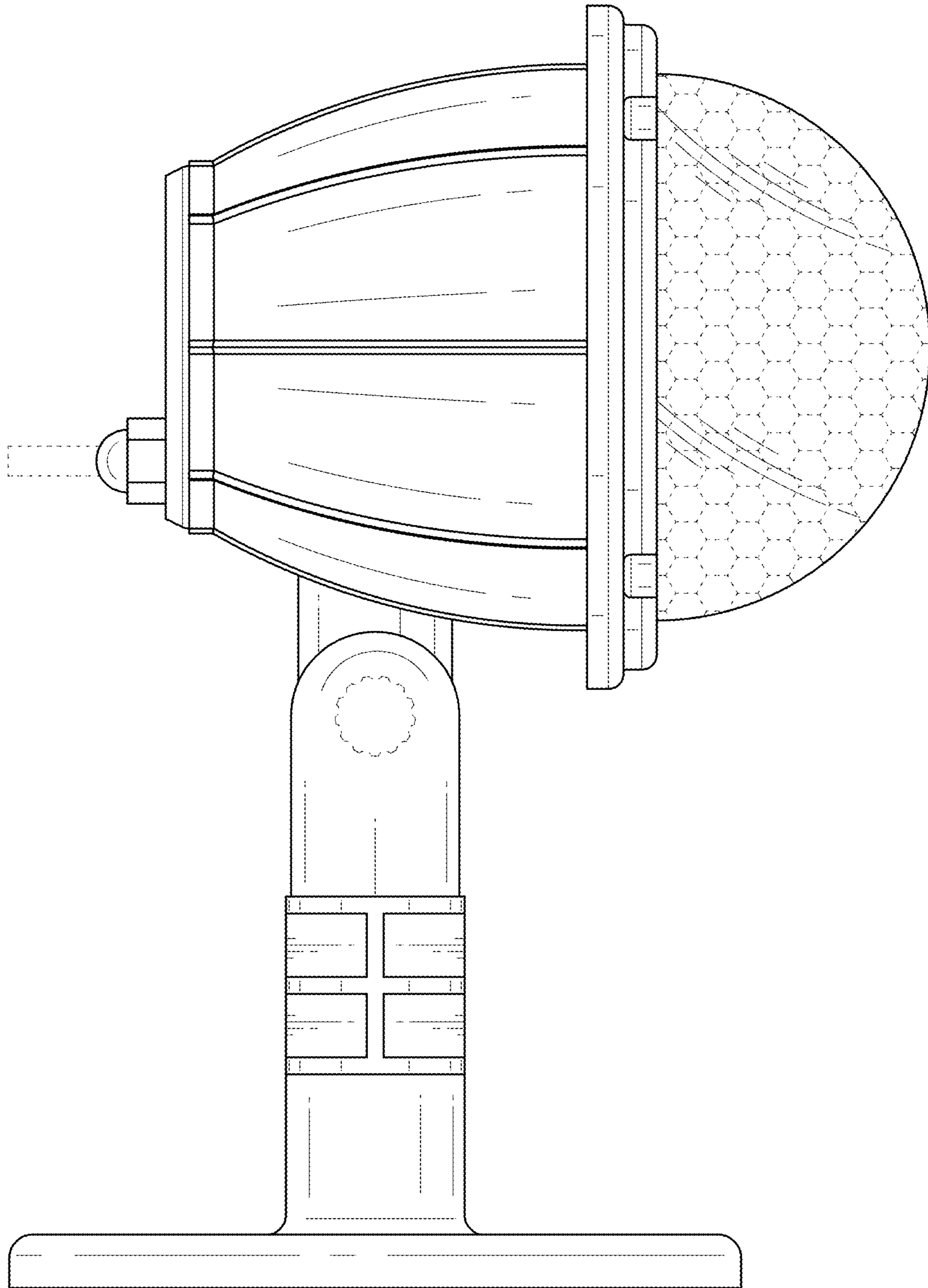


FIG. 5

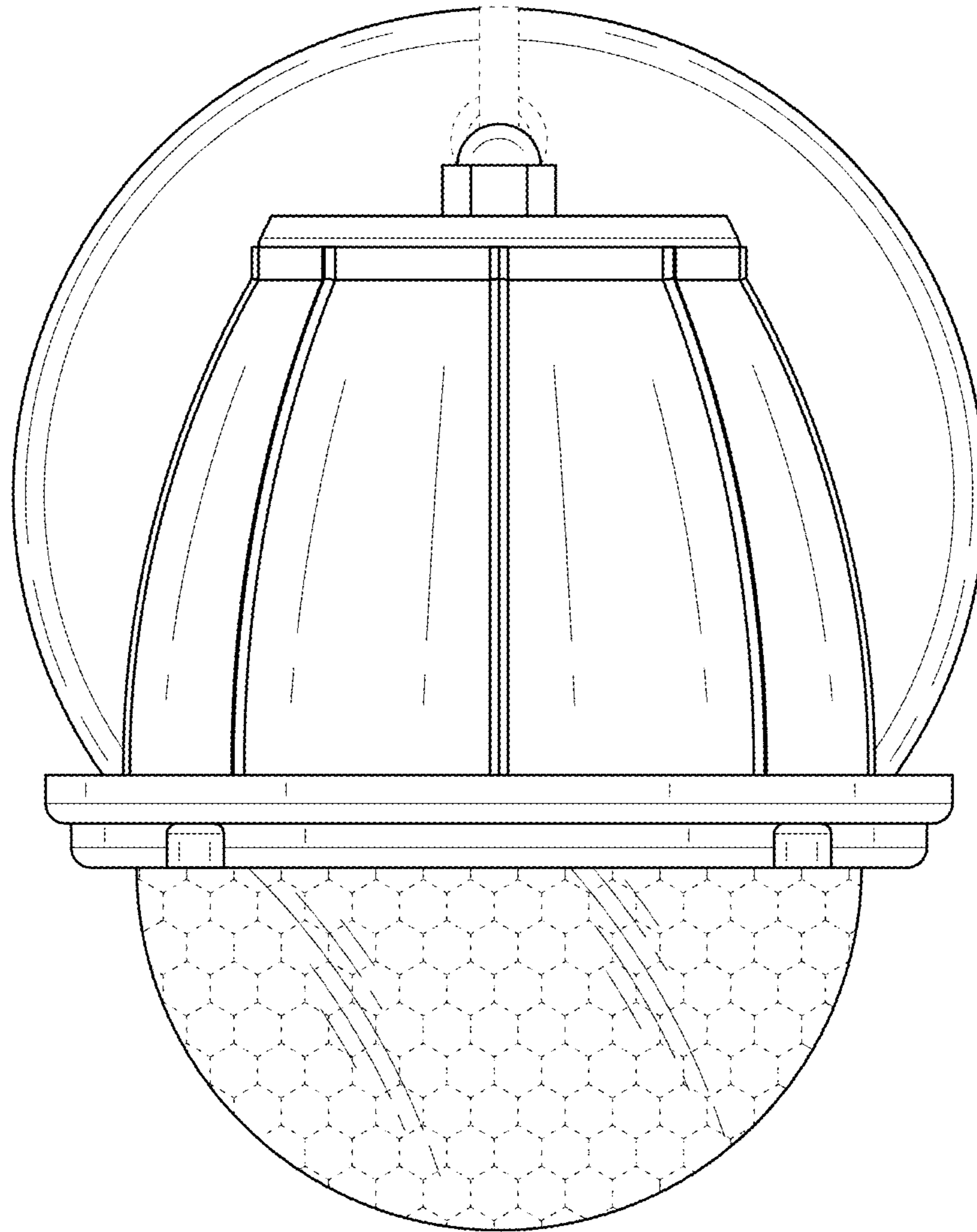


FIG. 6

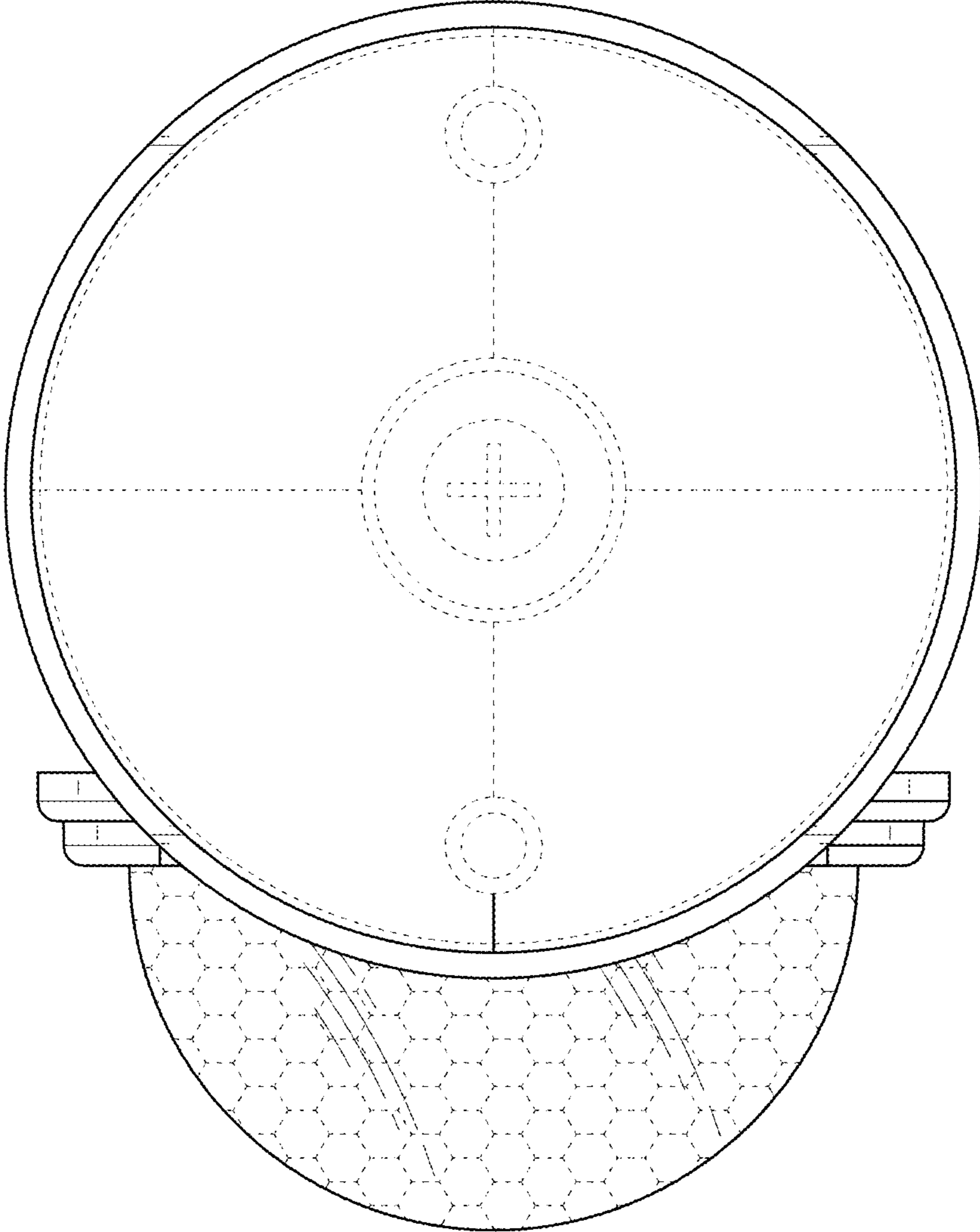


FIG. 7