



US00D890973S

(12) **United States Design Patent**
Hodgson

(10) **Patent No.:** **US D890,973 S**

(45) **Date of Patent:** **** Jul. 21, 2020**

(54) **LAMP**

(71) Applicant: **The Daylight Company (Holdings) Limited**, London (GB)

(72) Inventor: **Fraser Hodgson**, London (GB)

(73) Assignee: **The Daylight Company (Holdings) Limited** (GB)

(**) Term: **15 Years**

(21) Appl. No.: **29/656,527**

(22) Filed: **Jul. 13, 2018**

(51) **LOC (12) Cl.** **26-03**

(52) **U.S. Cl.**
USPC **D26/63**

(58) **Field of Classification Search**
USPC D26/1, 24, 60, 61, 63, 65, 85, 92, 93,
D26/104, 106, 107
CPC F21V 21/14; F21V 15/01; F21V 14/02;
F21V 21/30; F21V 21/00; F21V 14/00;
F21V 21/088; F21S 8/00; F21S 8/003;
F21S 8/043; F21Y 2105/001; G03B
15/02; F21L 4/04

See application file for complete search history.

(56) **References Cited**

U.S. PATENT DOCUMENTS

D581,080 S * 11/2008 Mier-Langner D26/63
D676,179 S * 2/2013 Sandell D26/92
D676,180 S * 2/2013 Sandell D26/92
D811,645 S * 2/2018 Kim D26/107

* cited by examiner

Primary Examiner — Brian N. Vinson

(74) *Attorney, Agent, or Firm* — Laubscher & Laubscher, P.C.

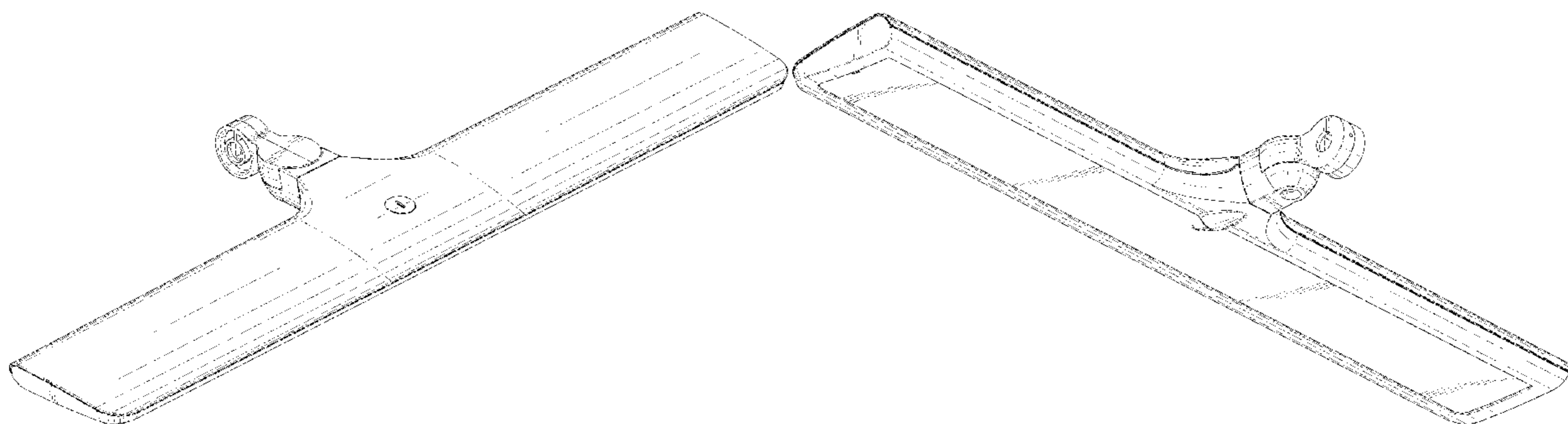
(57) **CLAIM**

The ornamental design for a lamp, as shown.

DESCRIPTION

FIG. 1 is a top perspective view of a lamp according to my invention;
FIG. 2 is a bottom perspective view thereof;
FIG. 3 is a top plan view thereof;
FIG. 4 is a bottom plan view thereof;
FIG. 5 is a left side elevation view thereof;
FIG. 6 is a right side elevation view thereof;
FIG. 7 is a front elevation view thereof; and,
FIG. 8 is a rear elevation view thereof.

1 Claim, 6 Drawing Sheets



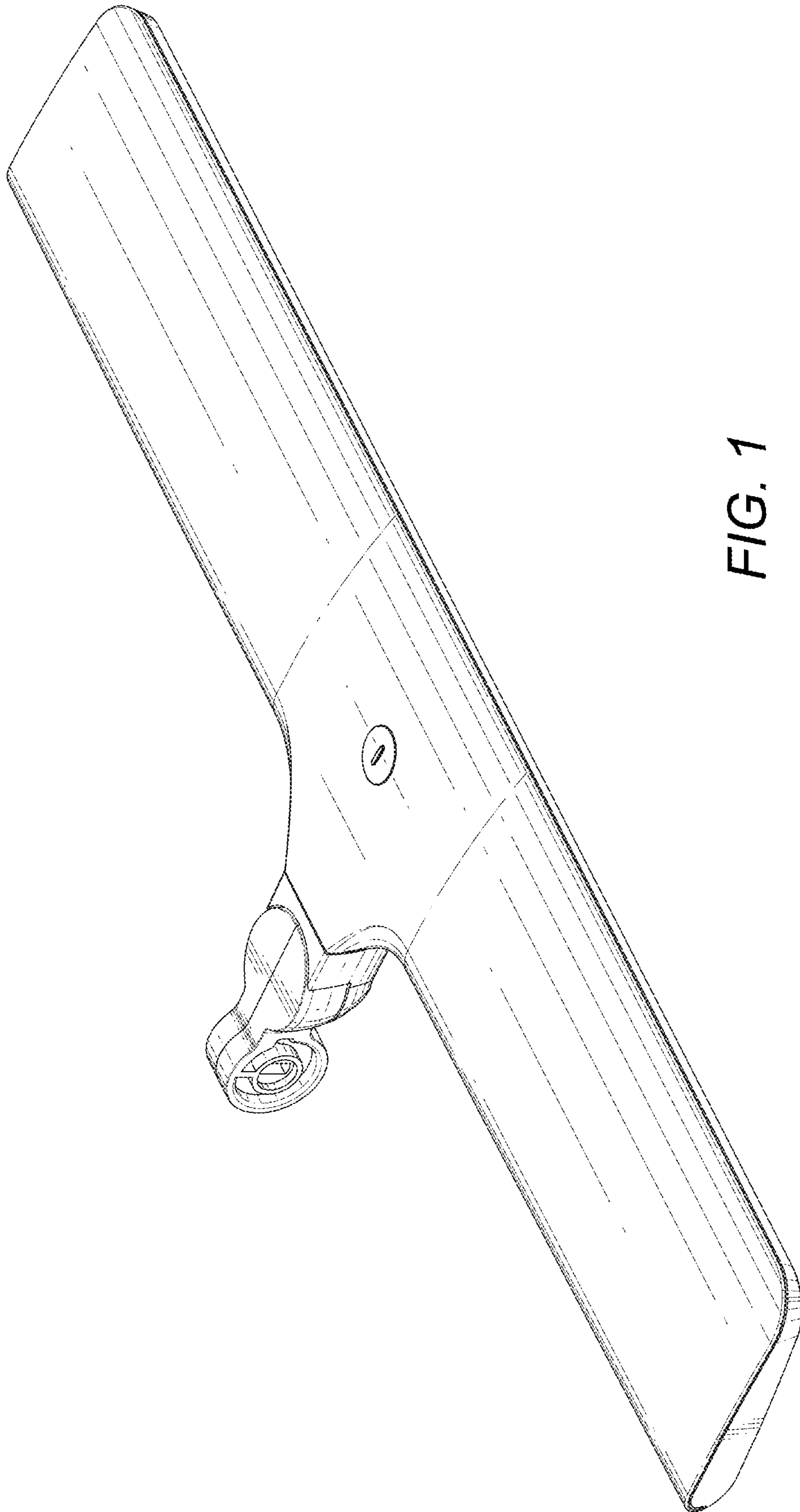


FIG. 1

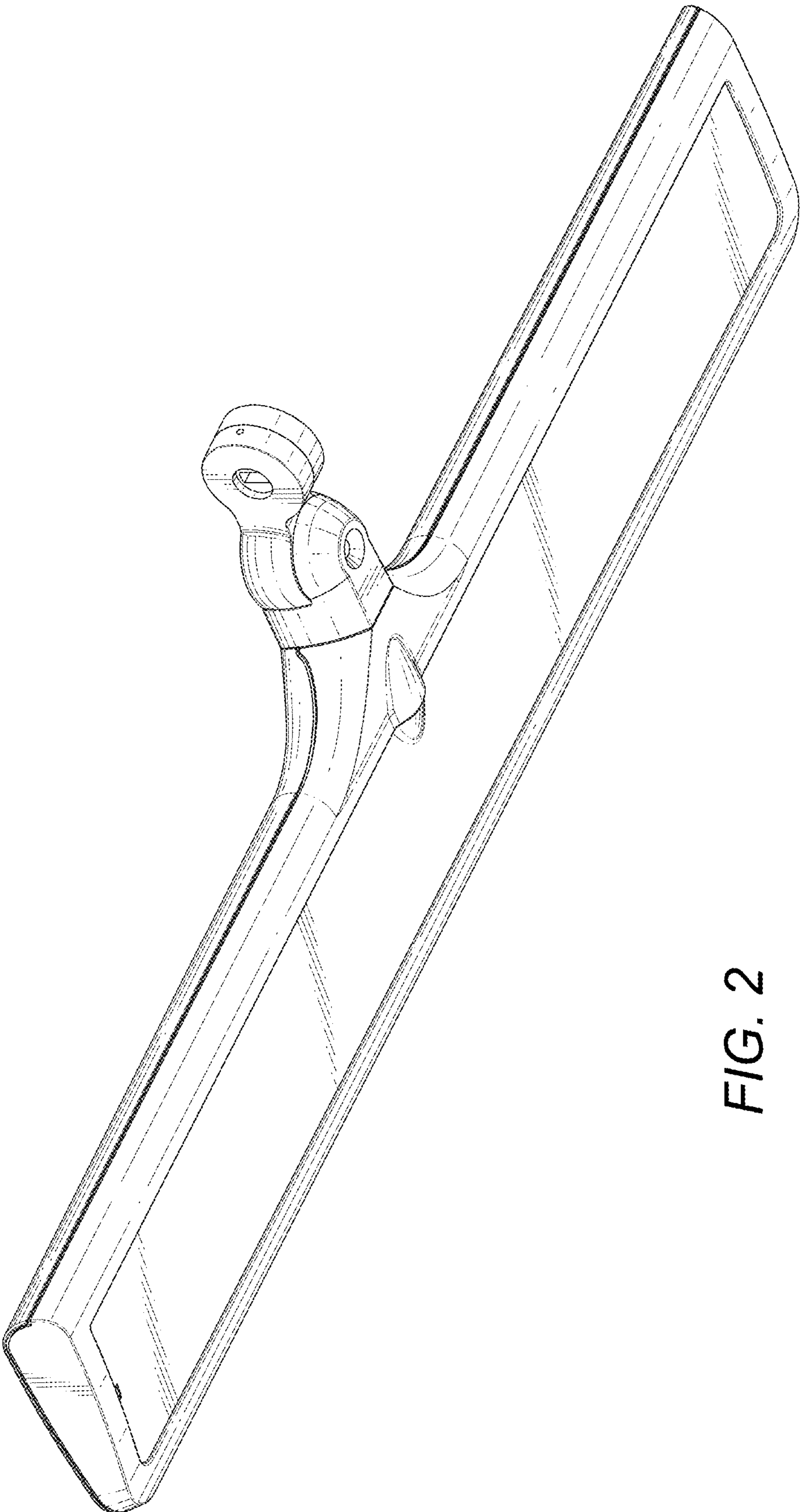


FIG. 2

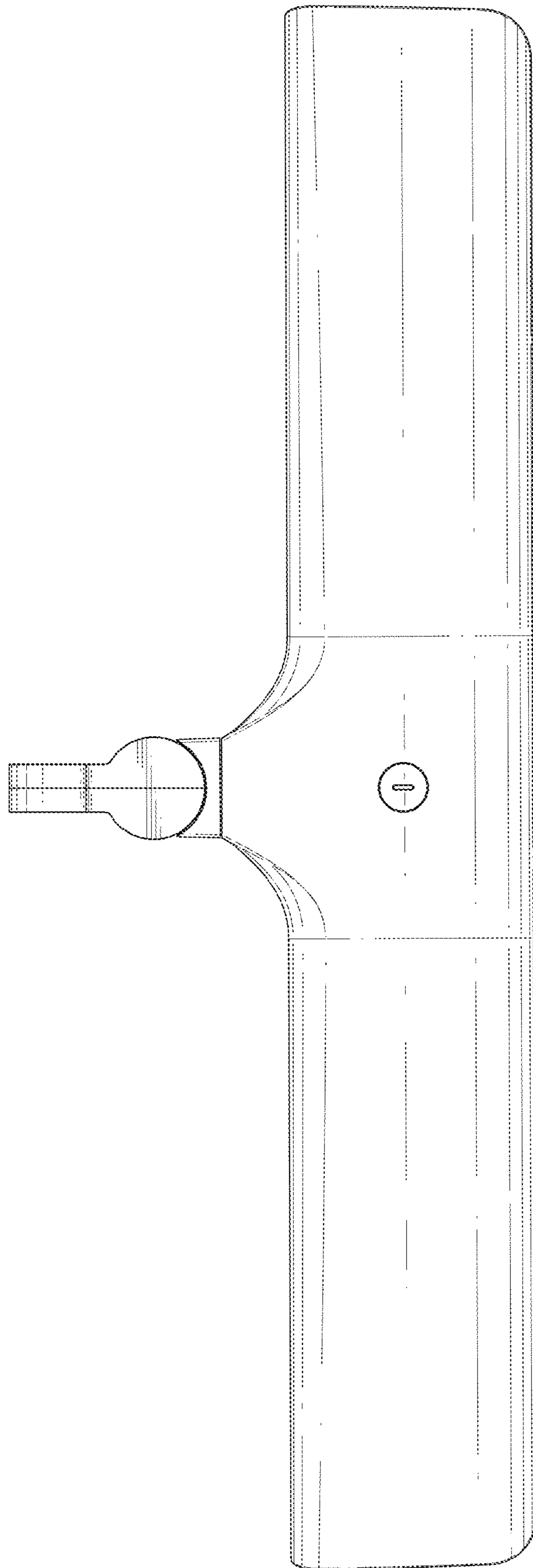


FIG. 3

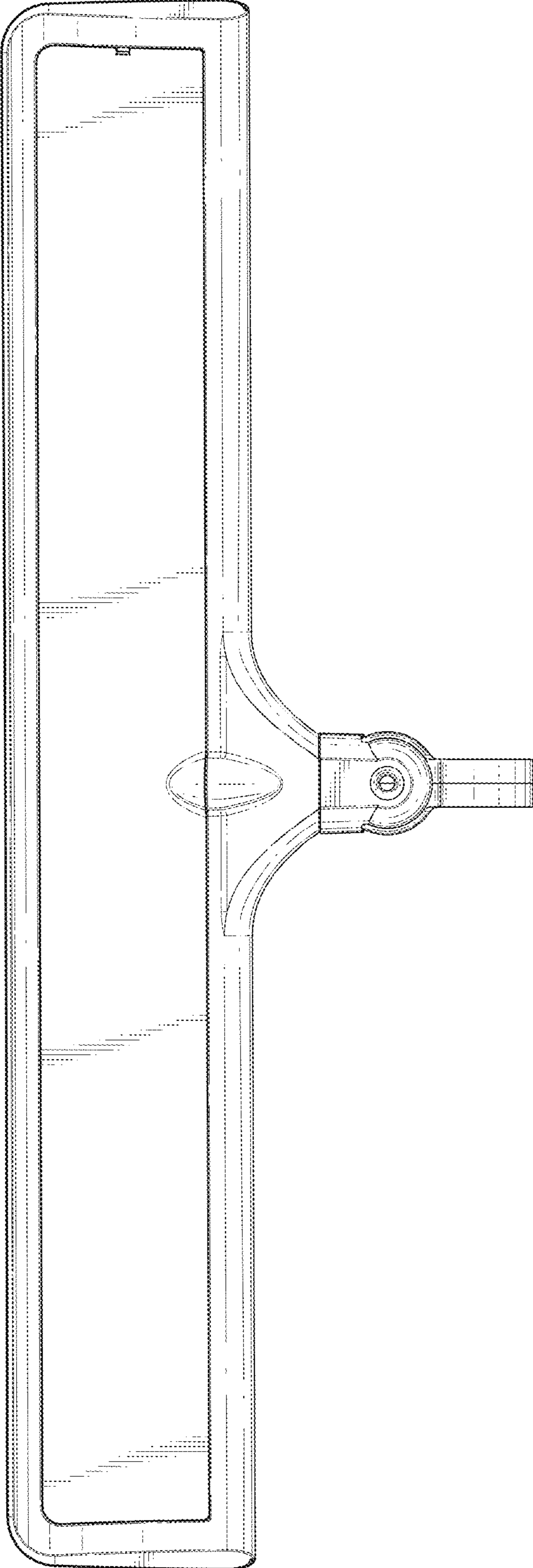


FIG. 4

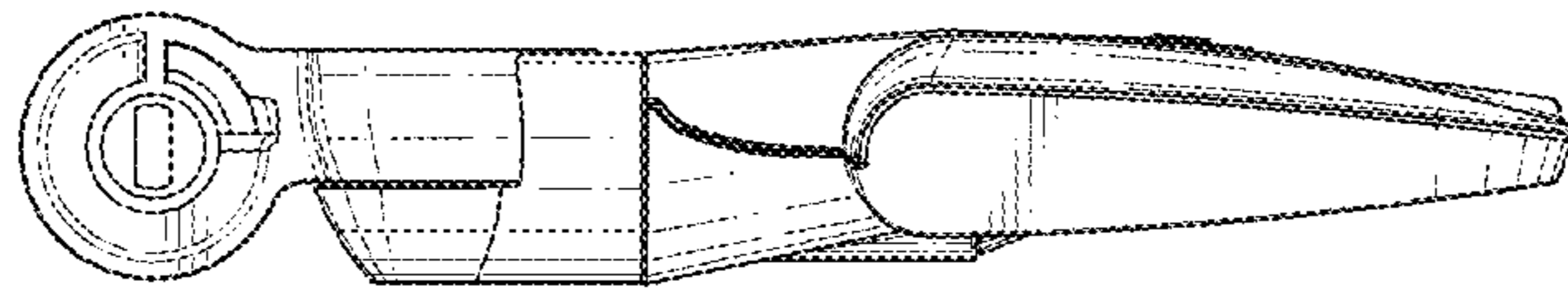


FIG. 5

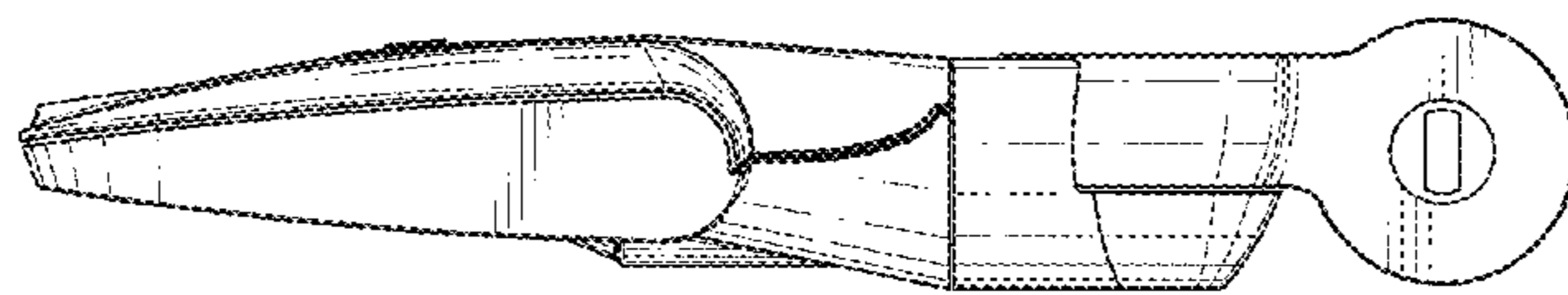


FIG. 6

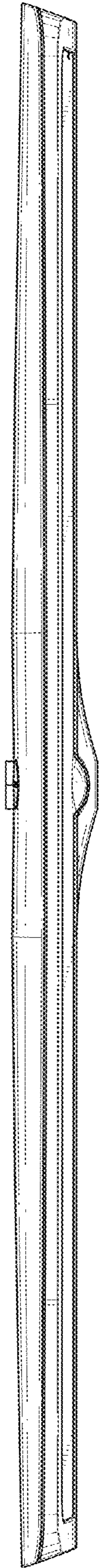


FIG. 7

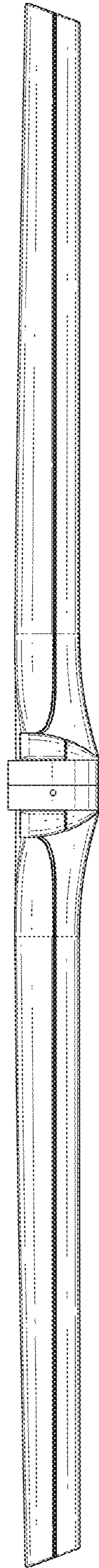


FIG. 8