



US00D890971S

(12) **United States Design Patent**
Chen

(10) **Patent No.:** **US D890,971 S**

(45) **Date of Patent:** **** Jul. 21, 2020**

(54) **BRAKE LIGHT**

(71) Applicant: **Jacky Chen**, City of Industry, CA (US)

(72) Inventor: **Jacky Chen**, City of Industry, CA (US)

(**) Term: **15 Years**

(21) Appl. No.: **29/679,404**

(22) Filed: **Feb. 5, 2019**

(51) **LOC (12) Cl.** **26-06**

(52) **U.S. Cl.**
USPC **D26/31**

(58) **Field of Classification Search**
USPC D26/28-36, 139
CPC F21S 48/00; F21S 48/10; F21S 48/115;
F21S 48/225; F21S 48/1233; F21S
48/1266; F21S 48/1388; F21S 48/2268;
F21V 21/04; F21V 29/004; B60Q 9/13;
B60Q 9/135; B60Q 9/1375

See application file for complete search history.

(56) **References Cited**

U.S. PATENT DOCUMENTS

D409,318 S * 5/1999 Hopkins D20/10
D677,411 S * 3/2013 Cervini D26/31

* cited by examiner

Primary Examiner — Marcus A Jackson

(74) *Attorney, Agent, or Firm* — Che-Yang Chen; Law
Office of Michael Chen

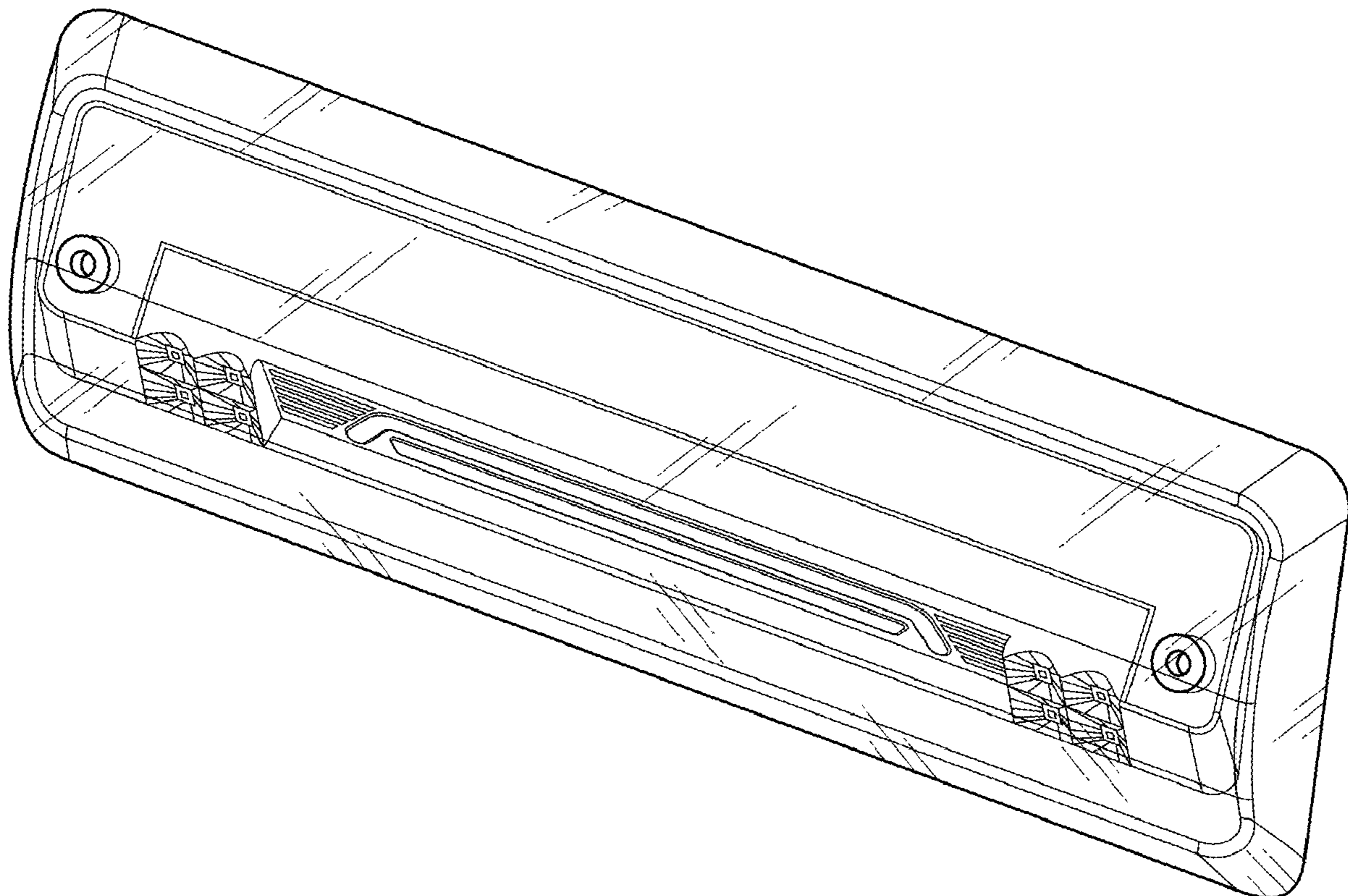
(57) **CLAIM**

The ornamental design for a brake light, as shown and
described.

DESCRIPTION

FIG. 1 is a perspective view of the brake light showing my
new design;
FIG. 2 is a front elevational view thereof;
FIG. 3 is a rear elevational view thereof;
FIG. 4 is a left side elevational view thereof;
FIG. 5 is a right side elevational thereof;
FIG. 6 is a top plan view thereof; and,
FIG. 7 is a bottom plan view thereof.

1 Claim, 3 Drawing Sheets



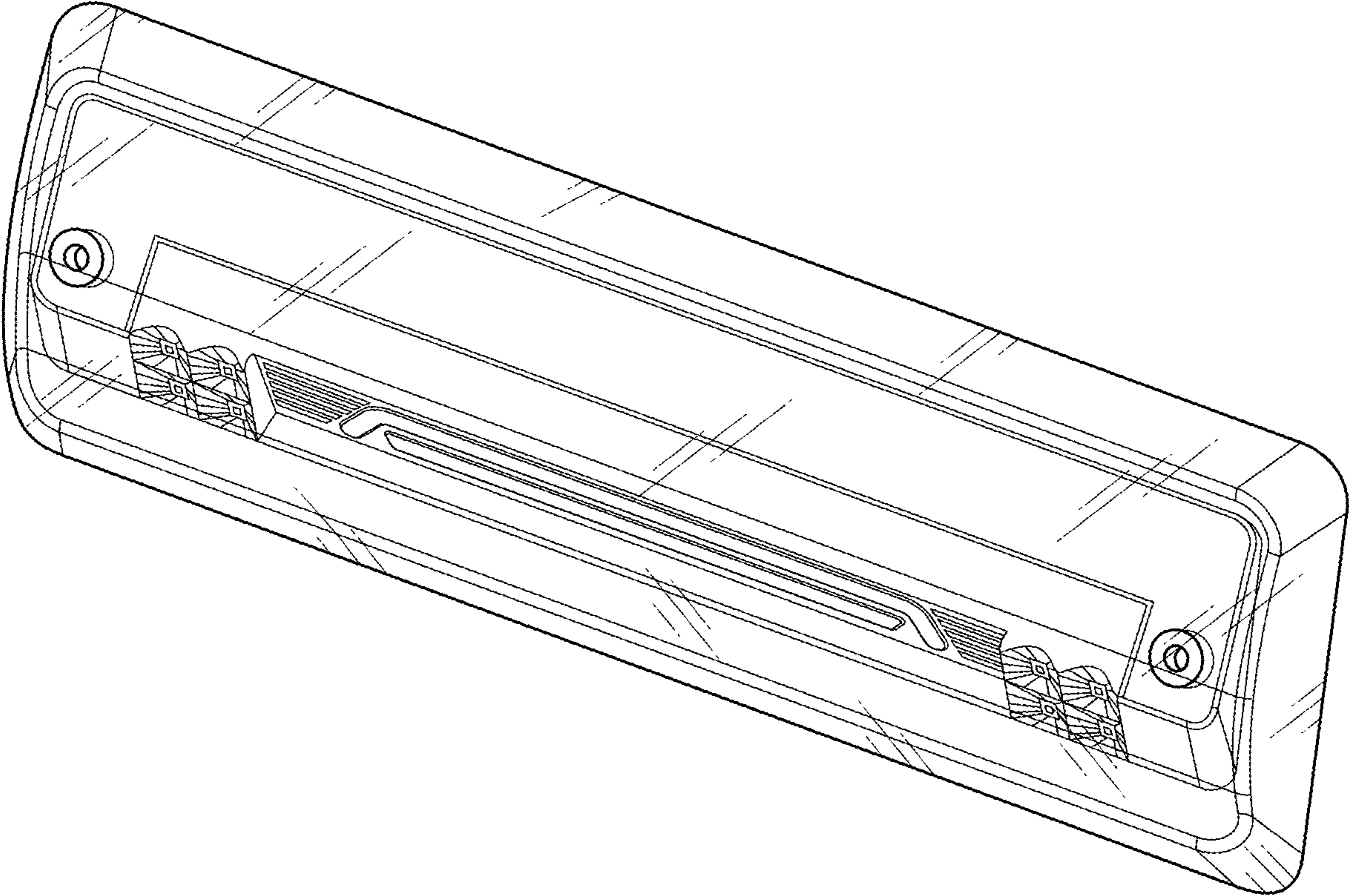


FIG. 1

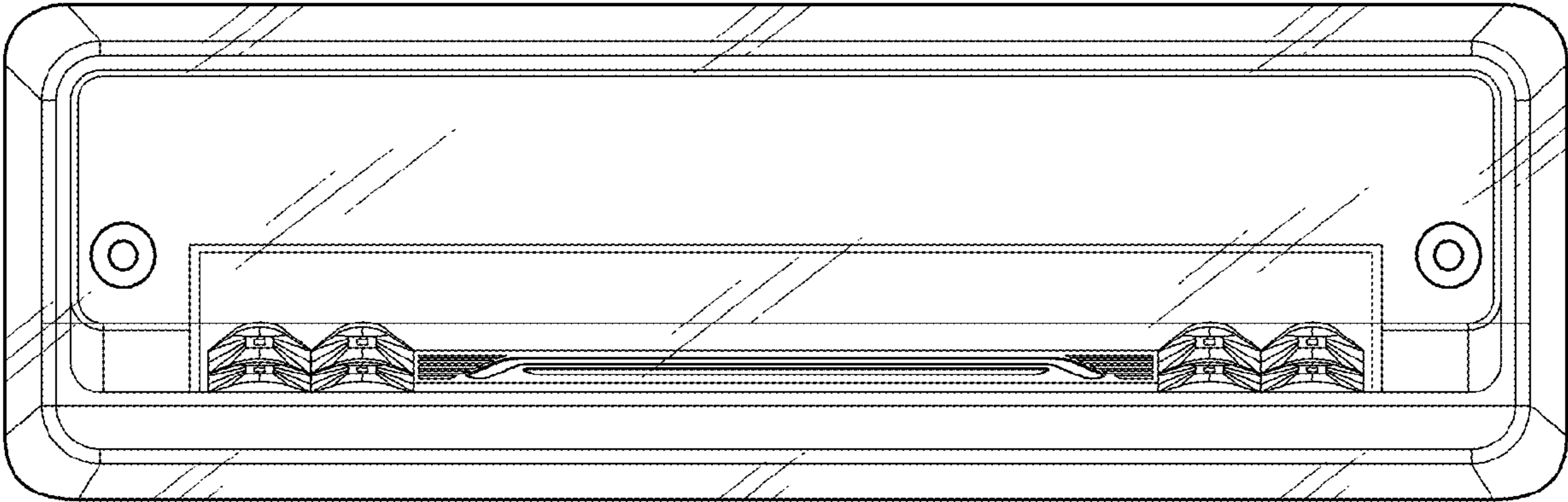


FIG. 2

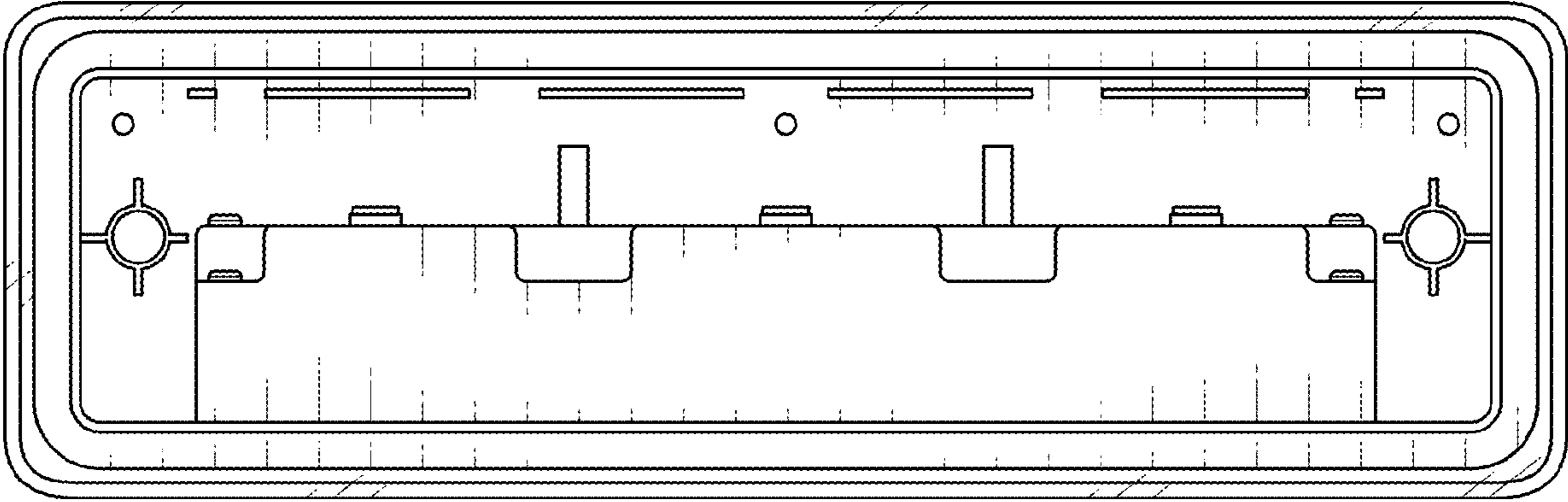


FIG. 3

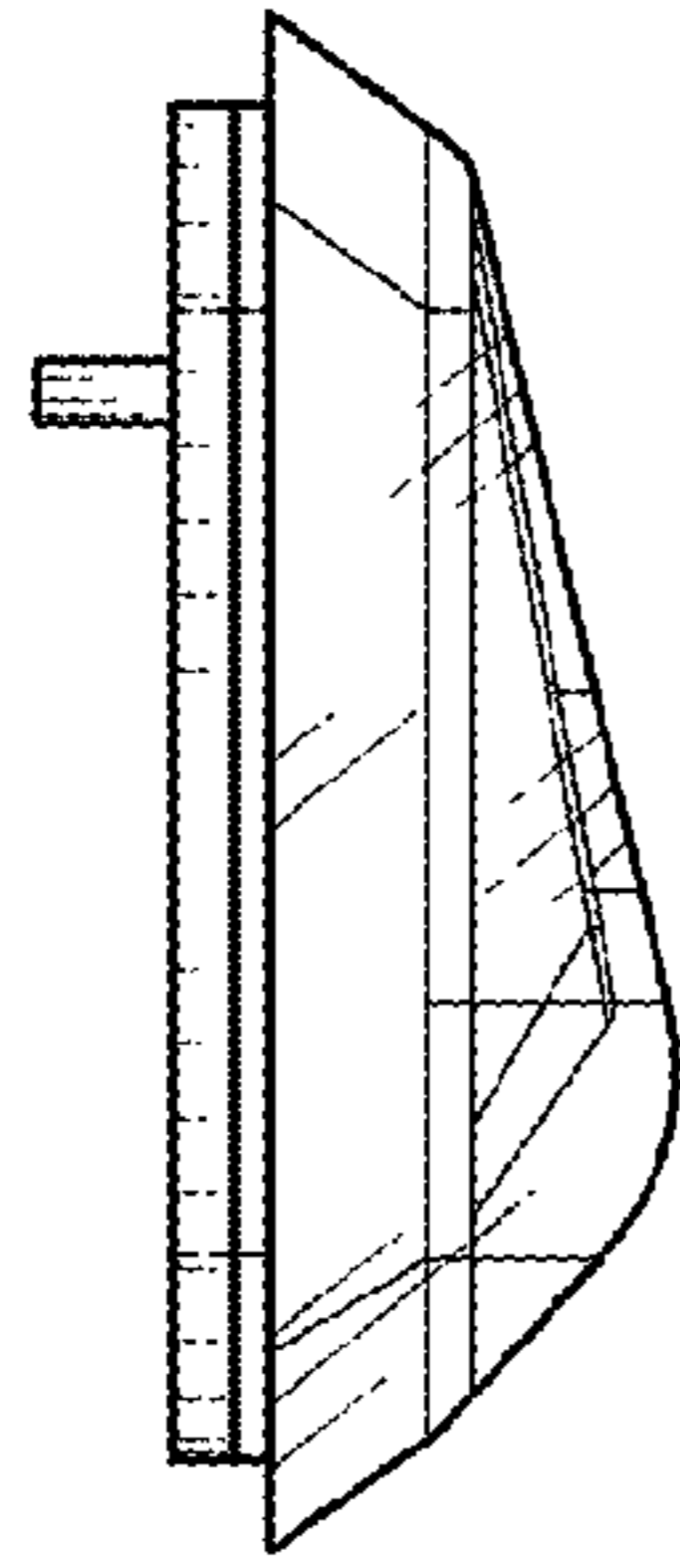


FIG. 4

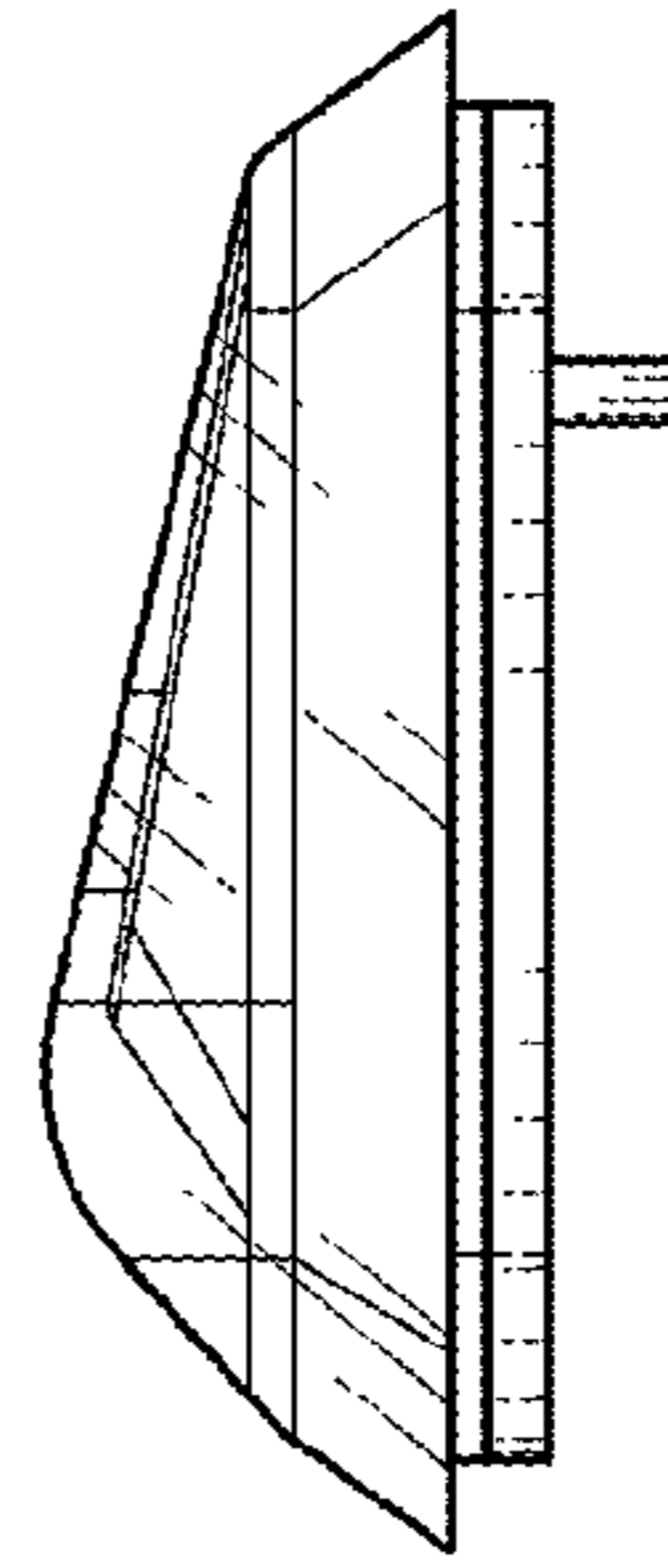


FIG. 5

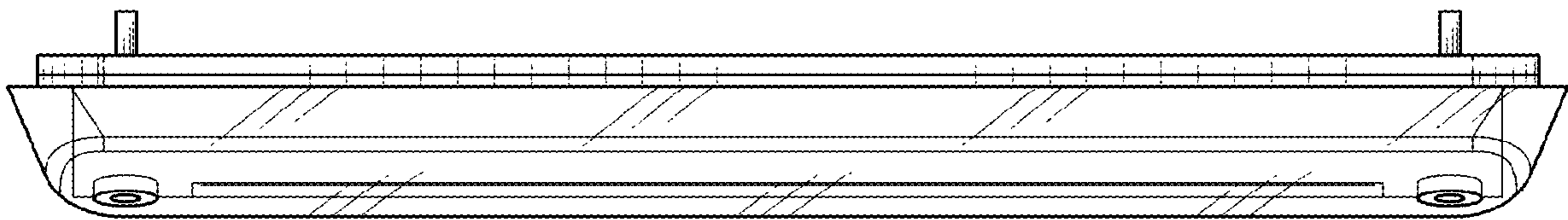


FIG. 6

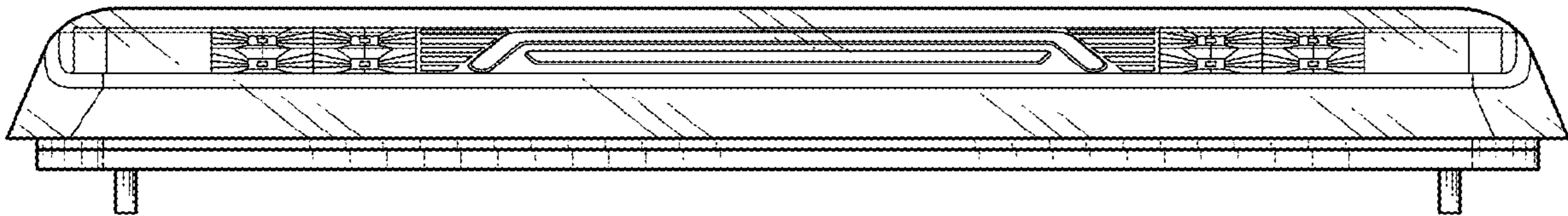


FIG. 7