



US00D890963S

(12) **United States Design Patent**  
**Lan**

(10) **Patent No.:** **US D890,963 S**

(45) **Date of Patent:** **\*\* Jul. 21, 2020**

(54) **VEHICLE LAMP**

(71) Applicant: **Guangzhou OUGE Electronic Technology Co., Ltd., Guangzhou (CN)**

(72) Inventor: **Caijun Lan, Guangzhou (CN)**

(73) Assignee: **Guangzhou OUGE Electronic Technology Co., Ltd., Guangzhou (CN)**

(\*\*) Term: **15 Years**

(21) Appl. No.: **29/661,916**

(22) Filed: **Aug. 31, 2018**

(51) **LOC (12) Cl.** ..... **26-06**

(52) **U.S. Cl.**  
USPC ..... **D26/28**

(58) **Field of Classification Search**

USPC ..... D26/28-36, 139

CPC ..... F21S 48/00; F21S 48/10; F21S 48/115;  
F21S 48/225; F21S 48/1233; F21S  
48/1266; F21S 48/1388; F21S 48/2268;  
F21V 21/04; B60Q 9/13; B60Q 9/135;  
B60Q 9/1375

See application file for complete search history.

(56) **References Cited**

**U.S. PATENT DOCUMENTS**

D710,042 S \* 7/2014 Georgitsis ..... D26/28  
D713,570 S \* 9/2014 Yoshida ..... D26/28

D765,288 S \* 8/2016 Ueda ..... D26/28  
D769,490 S \* 10/2016 Ma ..... D26/28  
D772,446 S \* 11/2016 Largent ..... D26/28  
D825,085 S \* 8/2018 Jian ..... D26/28  
D834,222 S \* 11/2018 Winter ..... D26/28  
D841,205 S \* 2/2019 Dai ..... D26/28  
D846,775 S \* 4/2019 Yan ..... D26/28

\* cited by examiner

*Primary Examiner* — Marcus A Jackson

(74) *Attorney, Agent, or Firm* — NZ Carr Law Office  
LLP

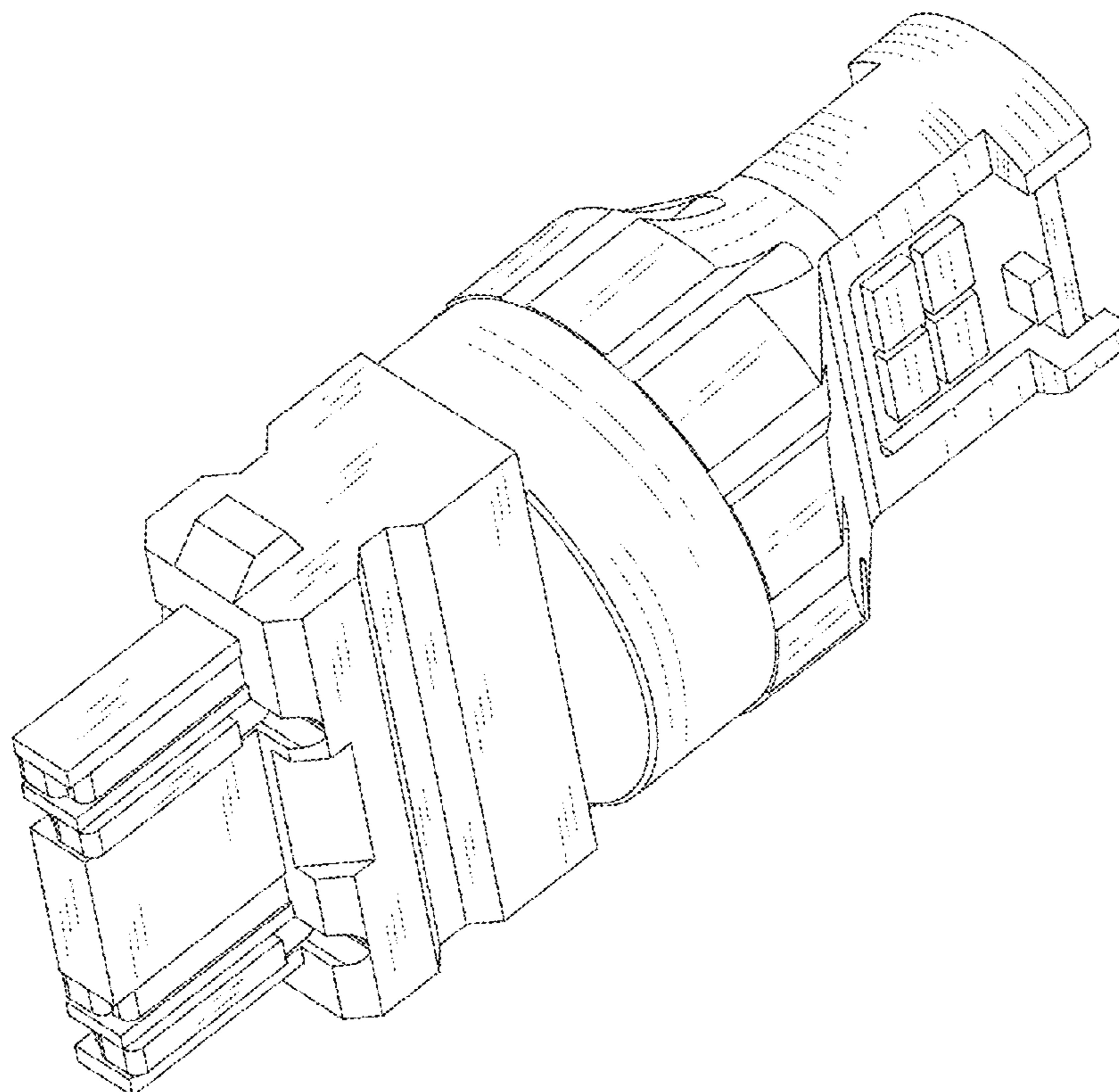
(57) **CLAIM**

The ornamental design for vehicle lamp, as shown and described.

**DESCRIPTION**

FIG. 1 is a top right perspective view showing vehicle lamp, showing my new design;  
FIG. 2 is a front elevation view thereof;  
FIG. 3 is a rear elevation view thereof;  
FIG. 4 is a top plan view thereof;  
FIG. 5 is a bottom plan view thereof;  
FIG. 6 is a side view thereof; and,  
FIG. 7 is an opposite side view thereof.

**1 Claim, 7 Drawing Sheets**



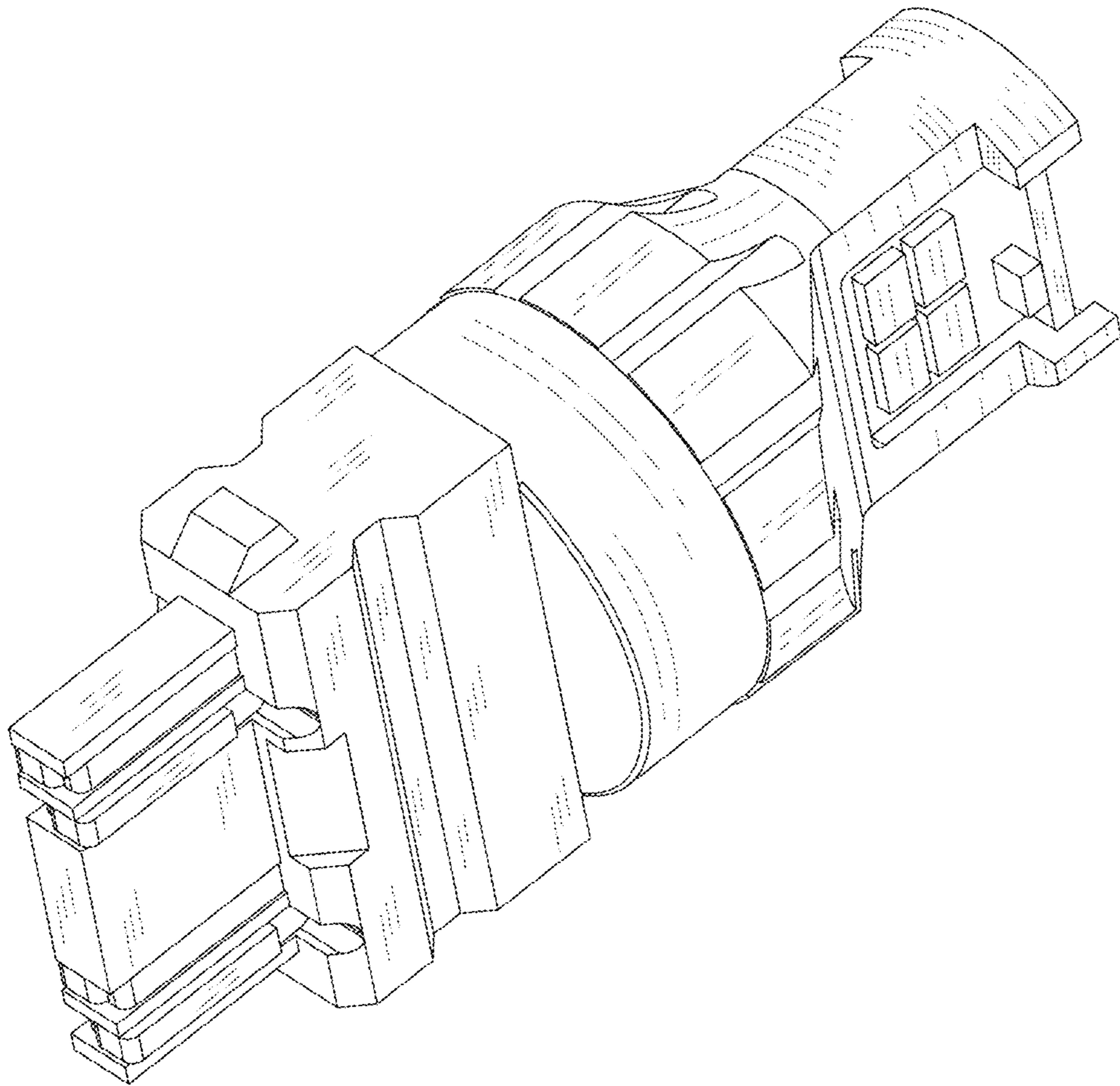


Fig. 1

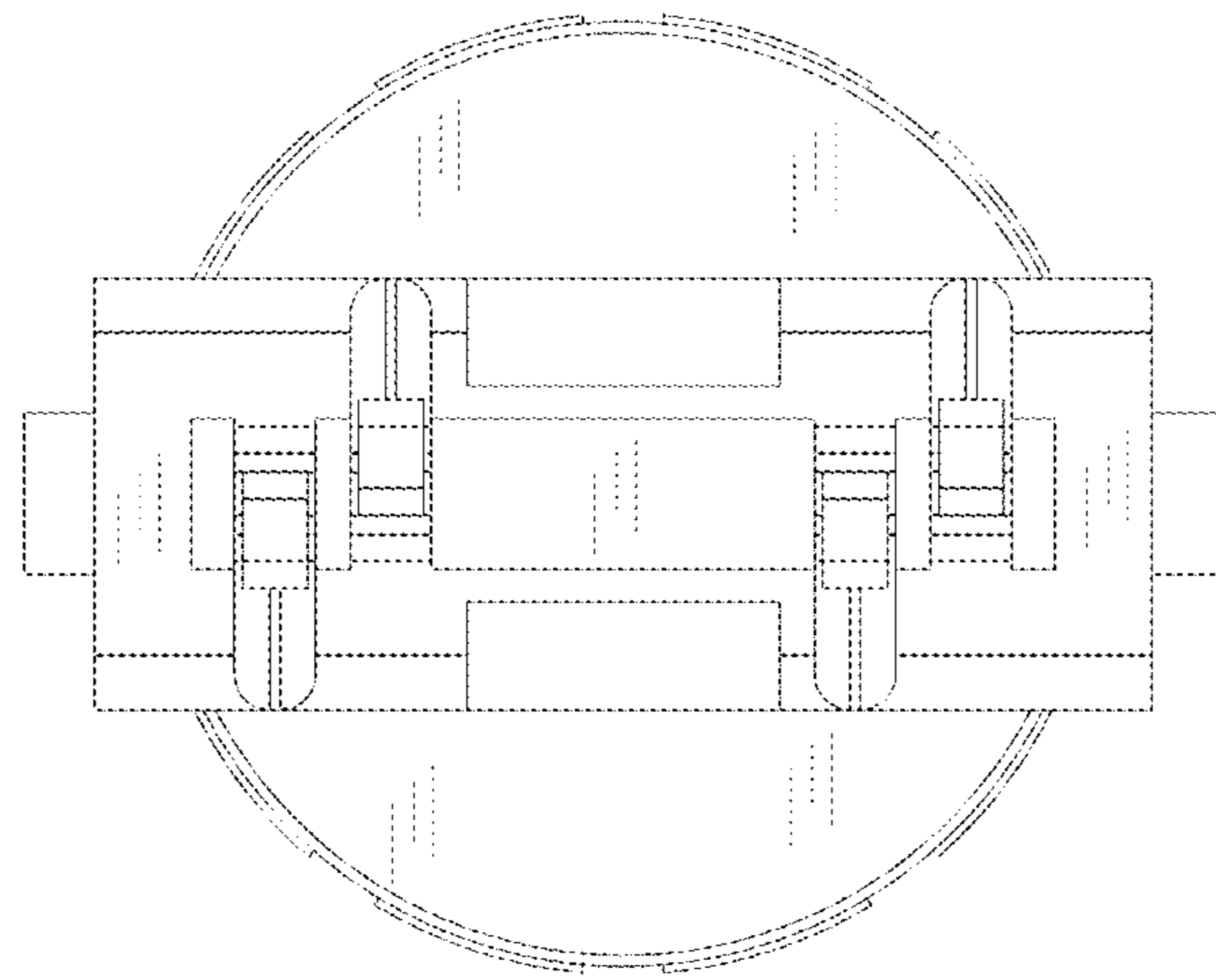


Fig. 2

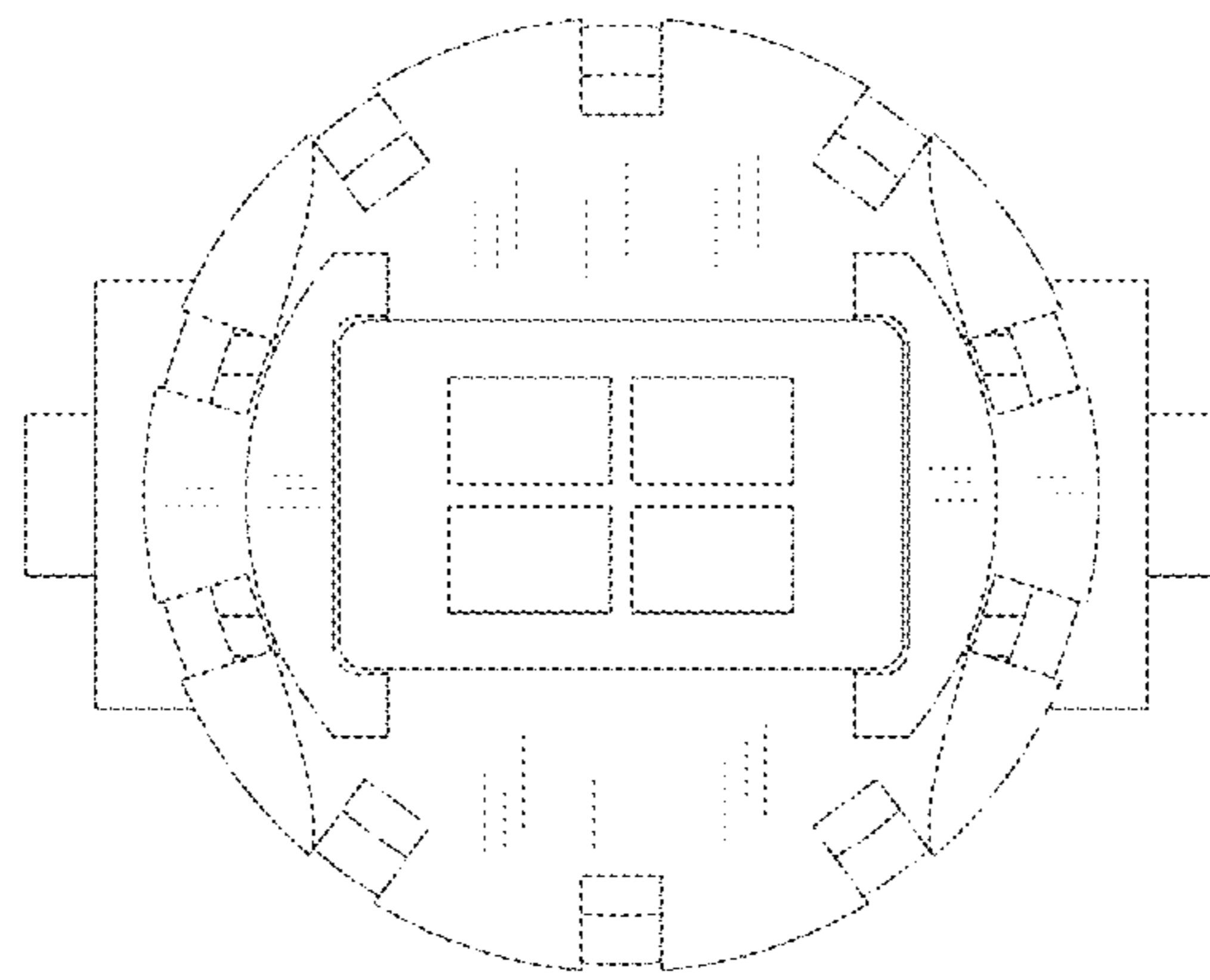


Fig. 3

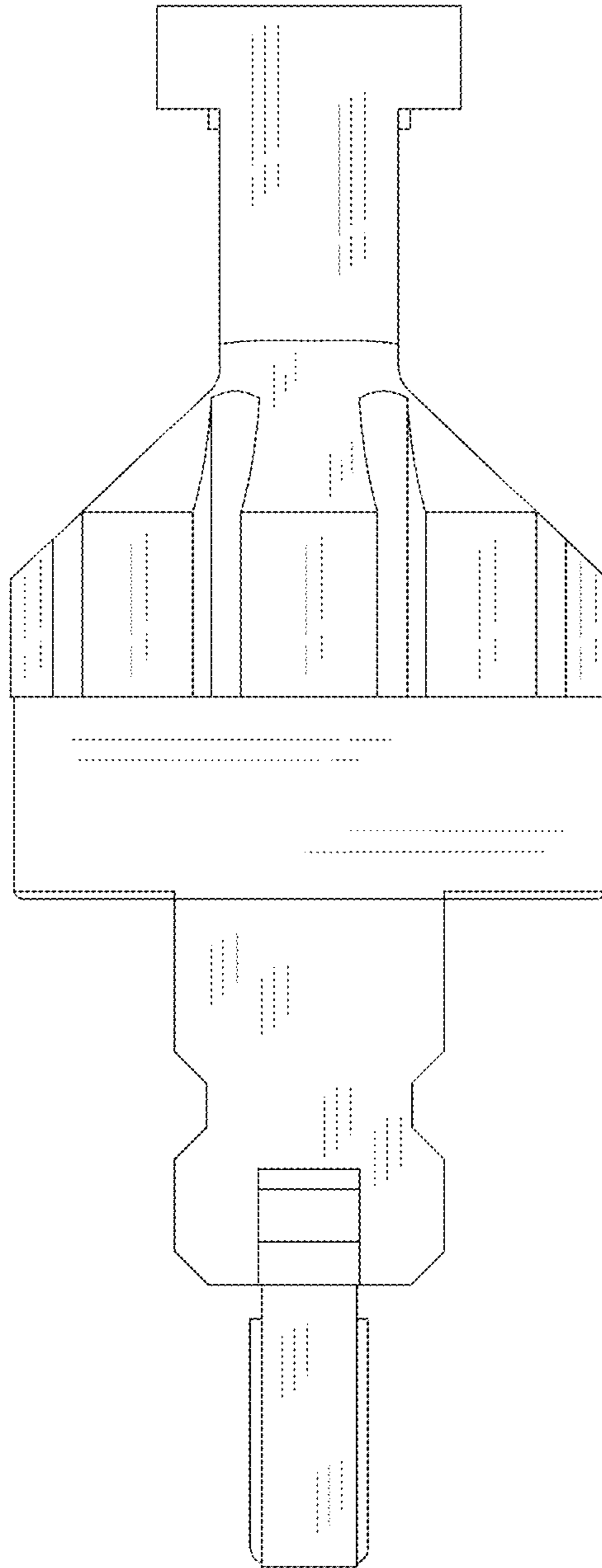


Fig. 4

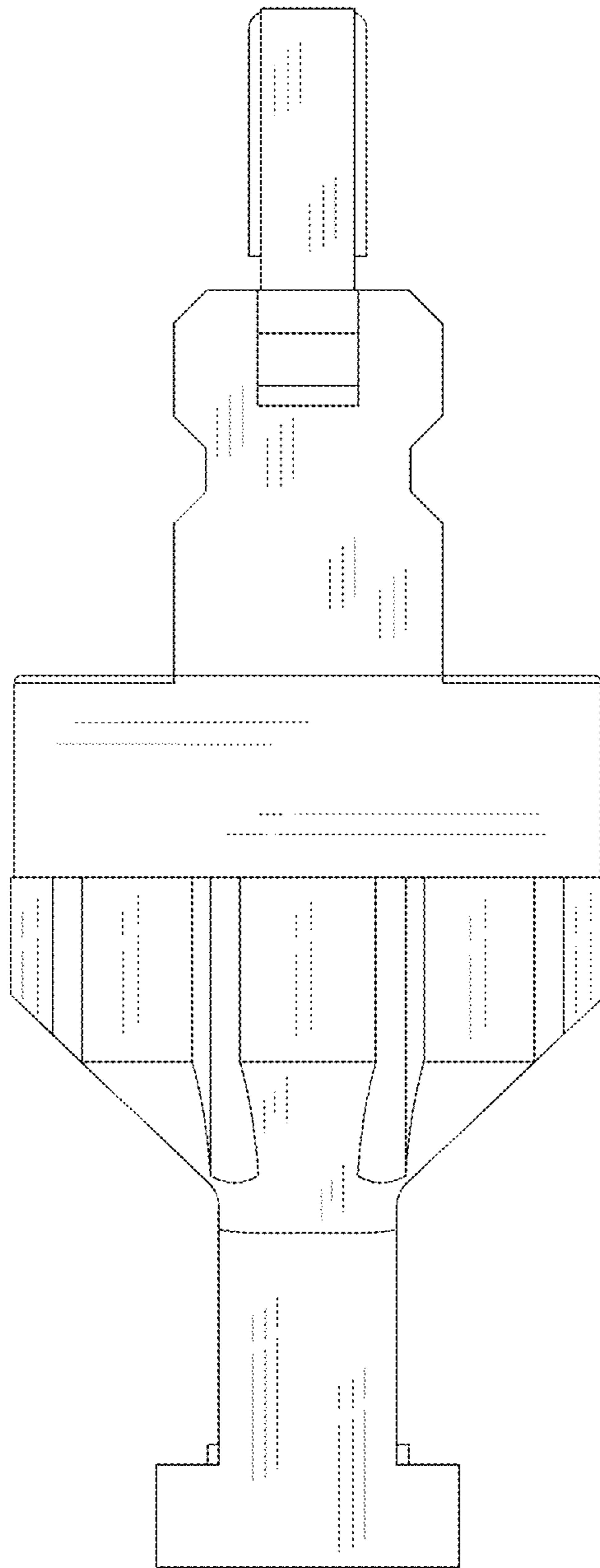


Fig. 5

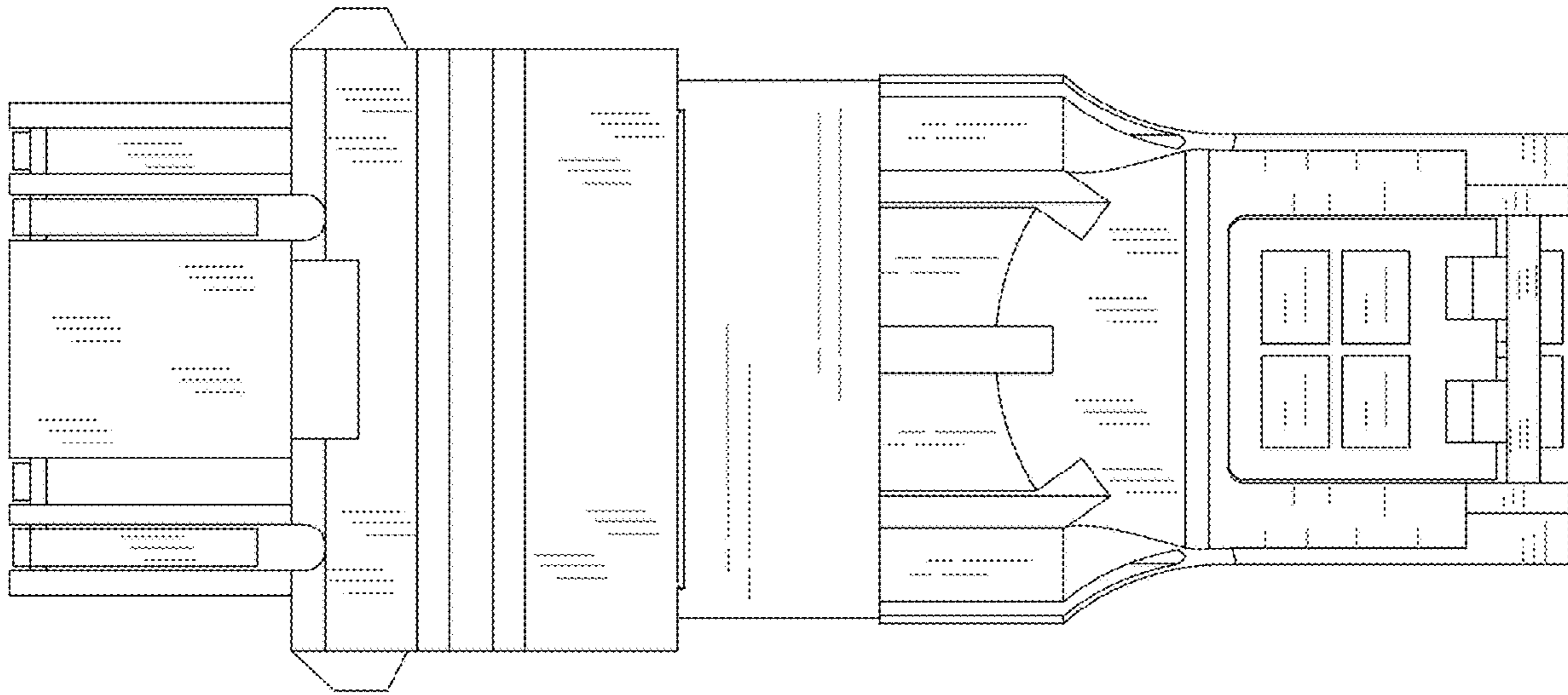


Fig. 6

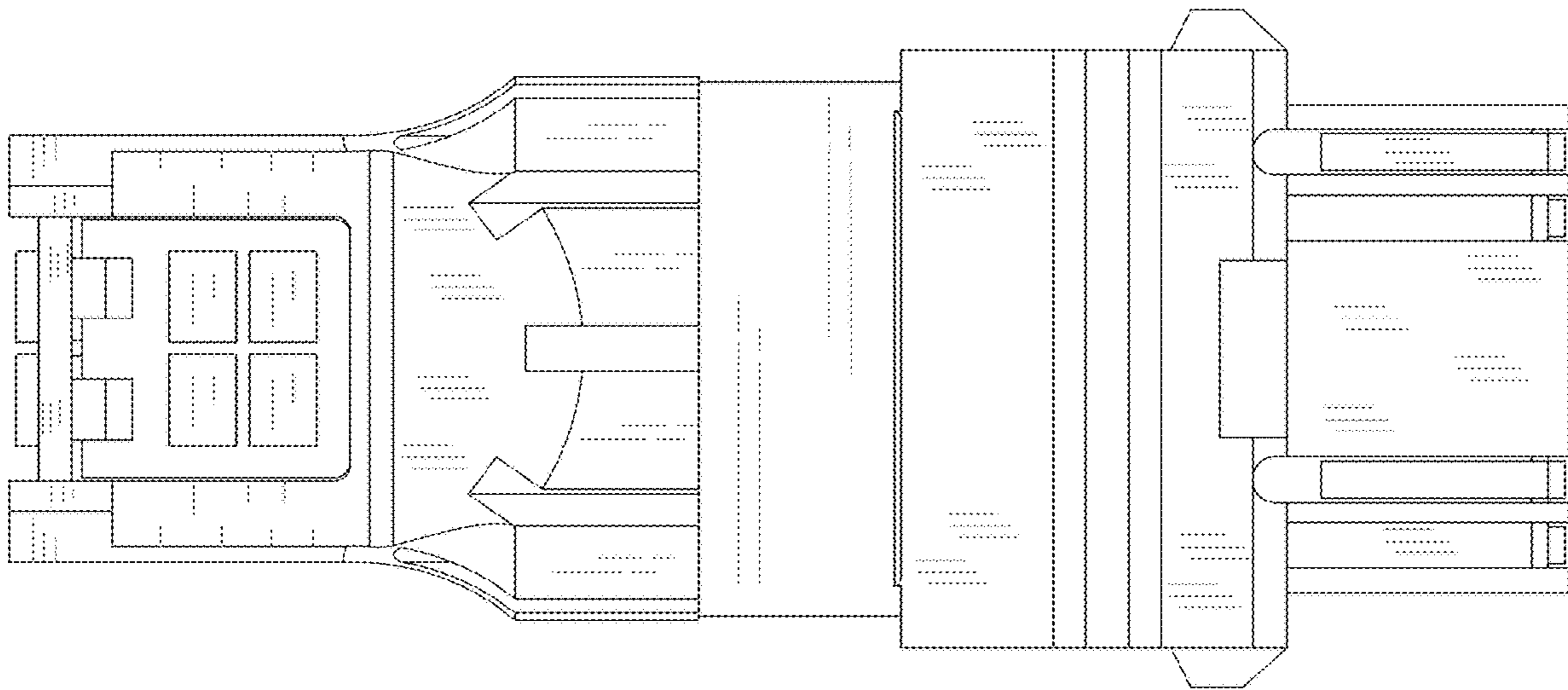


Fig. 7