



US00D890962S

(12) **United States Design Patent** (10) **Patent No.:** **US D890,962 S**  
**Hoffner et al.** (45) **Date of Patent:** **\*\* Jul. 21, 2020**

(54) **SET OF VEHICLE LIGHTS**  
(71) Applicant: **Byton Limited**, Hong Kong (HK)  
(72) Inventors: **Clement Hoffner**, Munich (DE);  
**Benoit Jacob**, Munich (DE)  
(73) Assignee: **BYTON LIMITED**, Hong Kong (HK)  
(\*\*) Term: **15 Years**  
(21) Appl. No.: **29/639,455**  
(22) Filed: **Mar. 6, 2018**

D733,945 S \* 7/2015 Kennemer ..... D26/28  
D745,717 S \* 12/2015 Wu ..... D26/28  
D747,511 S \* 1/2016 Van Arnam ..... D26/28  
D799,728 S \* 10/2017 Whitla ..... D26/28  
D807,542 S 1/2018 Packard  
D838,881 S 1/2019 Kuriki et al.  
D850,985 S 6/2019 Tsuji  
D856,551 S 8/2019 Lucas et al.

**FOREIGN PATENT DOCUMENTS**

CN 3253883 1/2002  
EP 000044086-0001 6/2003  
JP D1538072 12/2014

**OTHER PUBLICATIONS**

The Ex-Parte Quayle Action of Design U.S. Appl. No. 29/639,456, dated Sep. 11, 2019, 6 pages.  
The Notice of Allowance of Design U.S. Appl. No. 29/639,456, dated Nov. 20, 2019, 7 pages.  
The Notice of Allowance for U.S. Appl. No. 29/639,456 dated Apr. 2, 2020, 9 pages.

\* cited by examiner

*Primary Examiner* — Marcus A Jackson  
(74) *Attorney, Agent, or Firm* — Womble Bond Dickinson (US) LLP

(30) **Foreign Application Priority Data**  
Sep. 6, 2017 (EP) ..... 004244820-0010  
(51) **LOC (12) Cl.** ..... **26-06**  
(52) **U.S. Cl.**  
USPC ..... **D26/28**  
(58) **Field of Classification Search**  
USPC ..... D26/28-36, 139  
CPC ..... F21S 48/00; F21S 48/10; F21S 48/115;  
F21S 48/225; F21S 48/1233; F21S  
48/1266; F21S 48/1388; F21S 48/2268;  
F21V 21/04; F21V 29/004; B60Q 9/13;  
B60Q 9/135; B60Q 9/1375  
See application file for complete search history.

(57) **CLAIM**

The ornamental design for a set of vehicle lights, as shown and described.

(56) **References Cited**

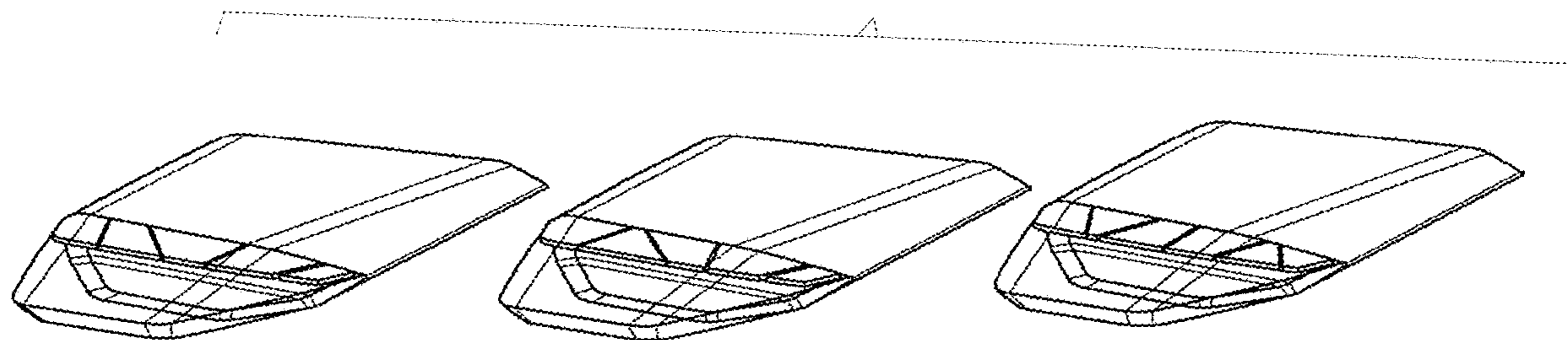
**U.S. PATENT DOCUMENTS**

5,014,165 A 5/1991 Naganawa  
D404,160 S 1/1999 Herst et al.  
D404,161 S 1/1999 Herst et al.  
D405,907 S 2/1999 Herst et al.  
D405,908 S 2/1999 Herst et al.  
D476,100 S \* 6/2003 Lin ..... D26/28  
D593,234 S 5/2009 Matsumura  
D600,376 S \* 9/2009 Sugiura ..... D26/28  
D601,730 S \* 10/2009 Richards ..... D26/28  
D713,075 S \* 9/2014 Lee ..... D26/28  
D722,187 S \* 2/2015 Gerardo ..... D26/28

**DESCRIPTION**

FIG. 1 is a top view of a set of vehicle lights showing the new design;  
FIG. 2 is a front and right-side-facing top perspective view thereof;  
FIG. 3 is a front view thereof; and,  
FIG. 4 is a front and right-side facing perspective view thereof.

**1 Claim, 4 Drawing Sheets**



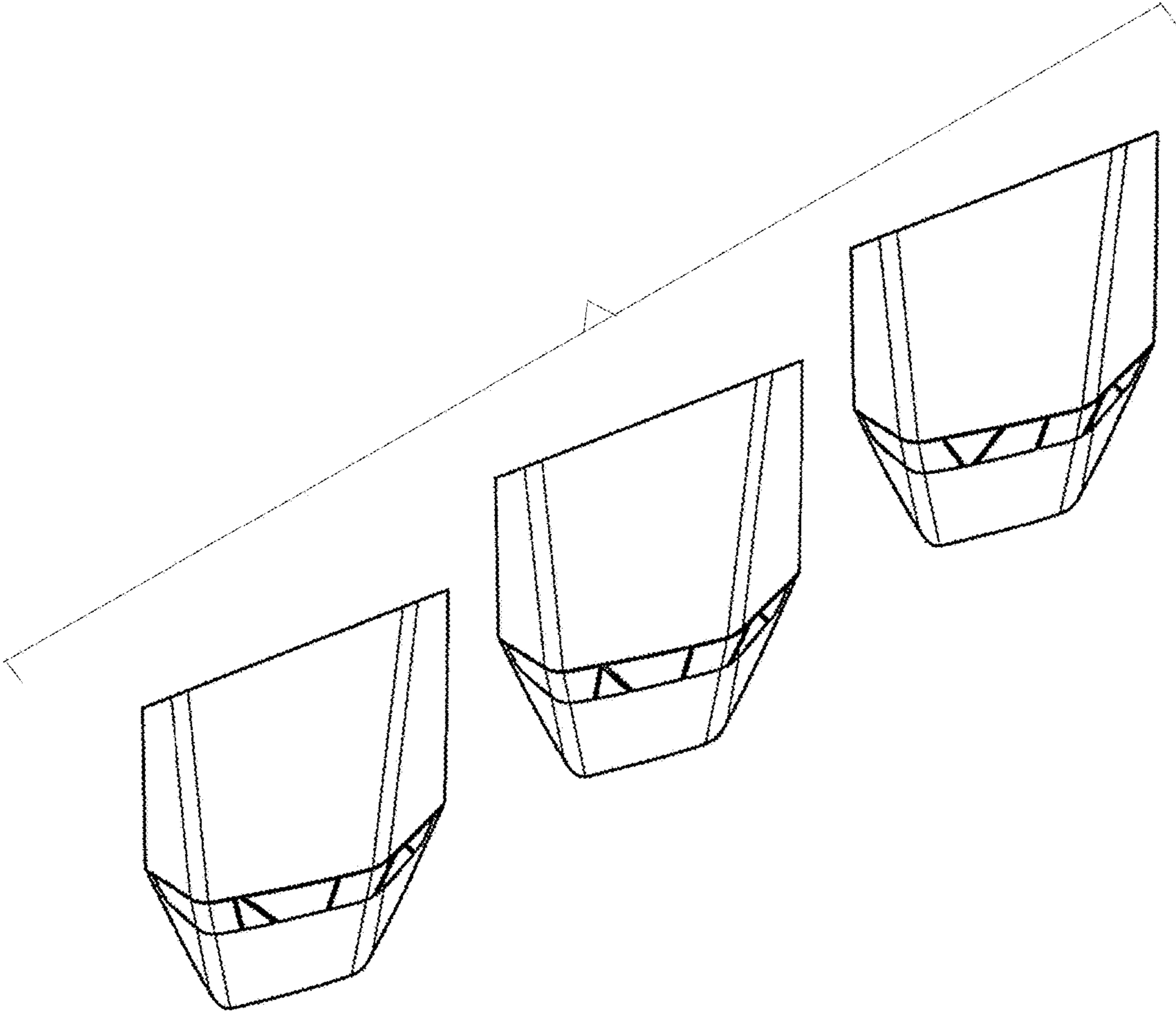


FIG. 1

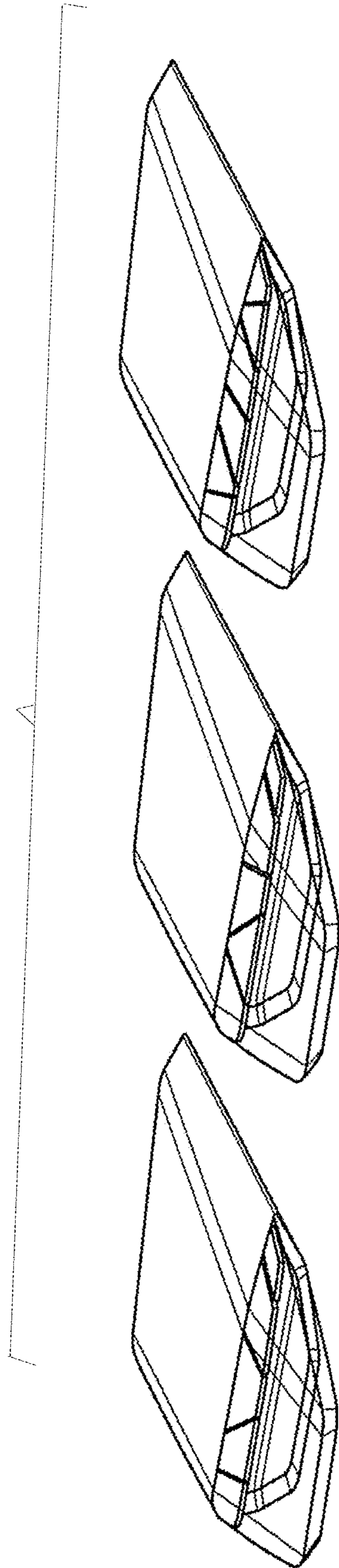


FIG. 2

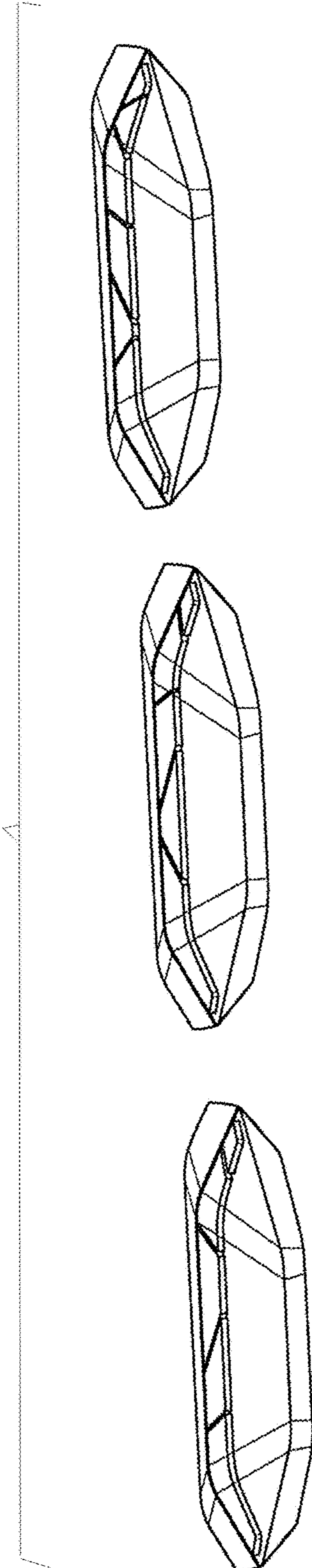


FIG. 3

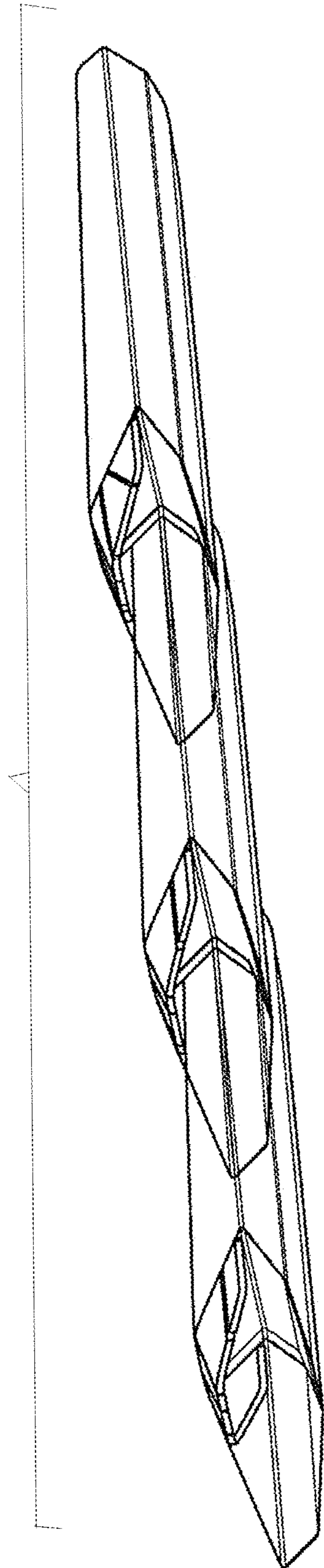


FIG. 4