



US00D890961S

(12) **United States Design Patent**
Reiherzer et al.

(10) **Patent No.:** **US D890,961 S**
(45) **Date of Patent:** **** Jul. 21, 2020**

(54) **LIGHT EMITTING DEVICE**

- (71) Applicant: **Cree, Inc.**, Durham, NC (US)
- (72) Inventors: **Jesse Colin Reiherzer**, Raleigh, NC (US); **Colin Kelly Blakely**, Franklinton, NC (US); **Samuel Richard Harrell, Jr.**, Cary, NC (US); **Erin R. F. Welch**, Ann Arbor, MI (US); **Roshan Murthy**, Raleigh, NC (US)
- (73) Assignee: **Cree, Inc.**, Durham, NC (US)
- (**) Term: **15 Years**
- (21) Appl. No.: **29/689,497**
- (22) Filed: **Apr. 30, 2019**

Related U.S. Application Data

- (62) Division of application No. 29/616,841, filed on Sep. 8, 2017, now Pat. No. Des. 851,790.
- (51) **LOC (12) Cl.** **26-03**
- (52) **U.S. Cl.**
USPC **D26/24**
- (58) **Field of Classification Search**
USPC D26/24
CPC F21V 15/01; F21V 19/008; F21V 15/015;
F21V 21/088; F21W 2131/308
See application file for complete search history.

References Cited

U.S. PATENT DOCUMENTS

- D646,002 S * 9/2011 Wang D26/24
- D646,003 S * 9/2011 Wang D26/24
- D690,839 S * 10/2013 Wang D26/24

(Continued)

OTHER PUBLICATIONS

Restriction Requirement for U.S. Appl. No. 29/616,841 dated Nov. 13, 2018.

(Continued)

Primary Examiner — Brian N. Vinson
(74) *Attorney, Agent, or Firm* — Jenkins, Wilson, Taylor & Hunt, P.A.

(57) **CLAIM**

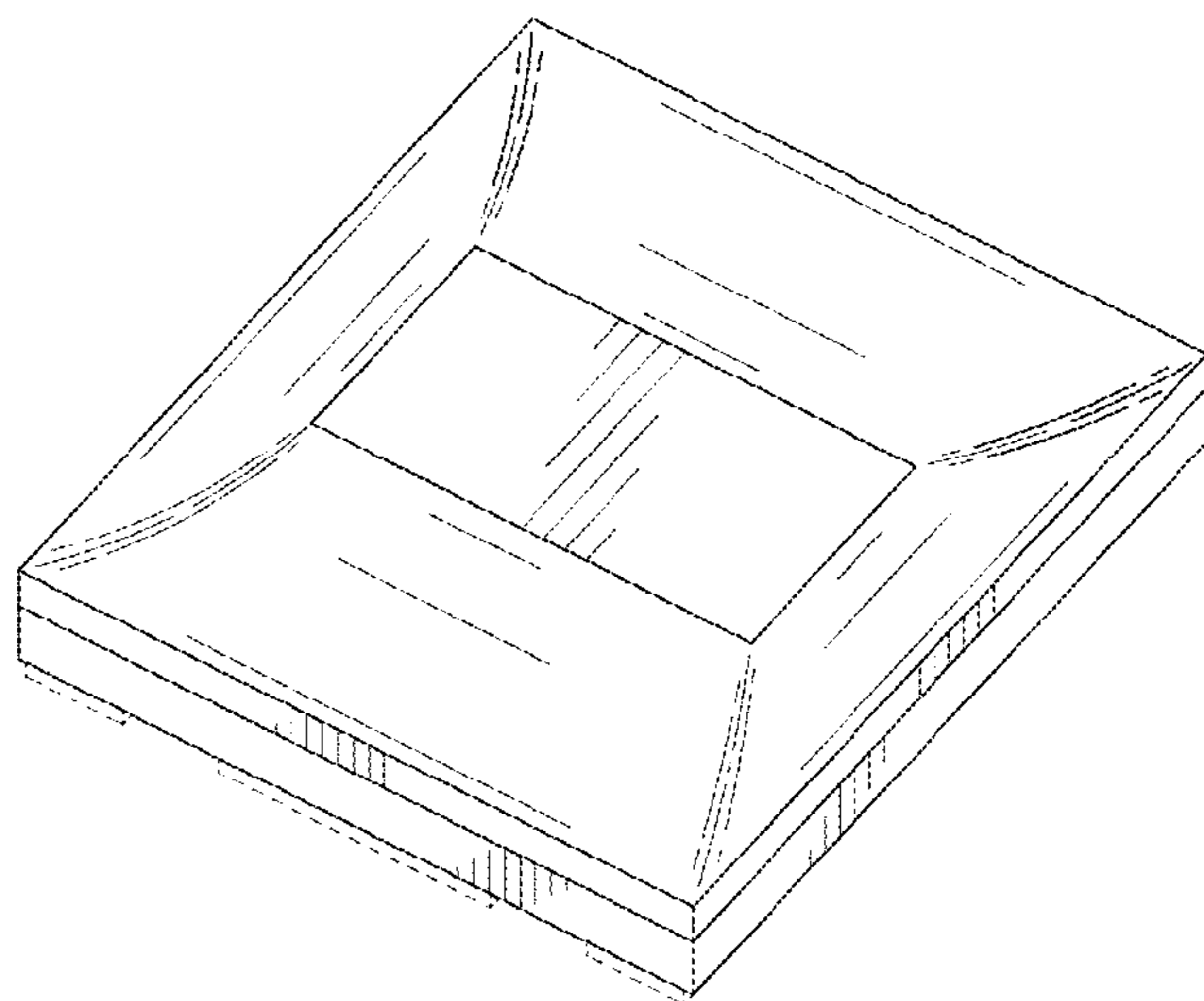
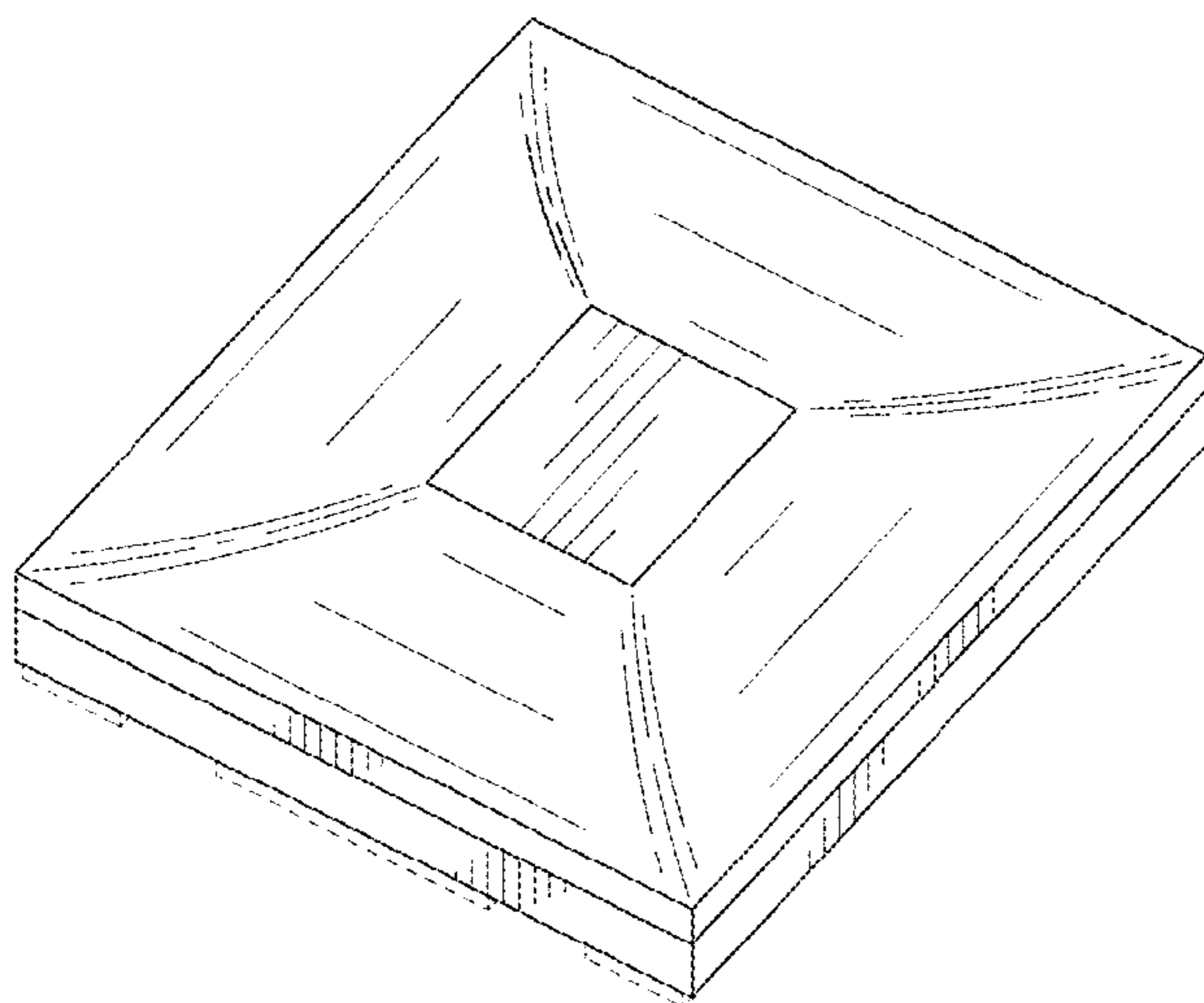
The ornamental design for a light emitting device, as shown and described.

DESCRIPTION

FIG. 1 is a top, front, and right perspective view of an embodiment of a light emitting device showing the design; FIG. 2 is a front elevation view thereof, the rear elevation view being identical; FIG. 3 is a right side elevation view thereof, the left elevation view being identical; FIG. 4 is a top view thereof; FIG. 5 is a bottom view thereof; FIG. 6 is a top, front, and right perspective view of a further embodiment of a light emitting device showing the design; FIG. 7 is a front elevation view thereof, the rear elevation view being identical; FIG. 8 is a right side elevation view thereof, the left elevation view being identical; FIG. 9 is a top view thereof; FIG. 10 is a bottom view thereof; FIG. 11 is a top, front, and right perspective view of a further embodiment of a light emitting device showing the design; FIG. 12 is a front elevation view thereof, the rear elevation view being identical; FIG. 13 is a right side elevation view thereof, the left elevation view being identical; FIG. 14 is a top view thereof; and, FIG. 15 is a bottom view thereof.

The dashed broken lines are for illustrative purpose only and form no part of the claimed design.

1 Claim, 6 Drawing Sheets



(56)

References Cited

U.S. PATENT DOCUMENTS

D690,847 S * 10/2013 Wang D26/24
D777,122 S 1/2017 Bergmann et al.
D851,790 S 6/2019 Reiherzer et al.

OTHER PUBLICATIONS

Notice of Allowance for U.S. Appl. No. 29/616,841 dated Jan. 23,
2019.

* cited by examiner

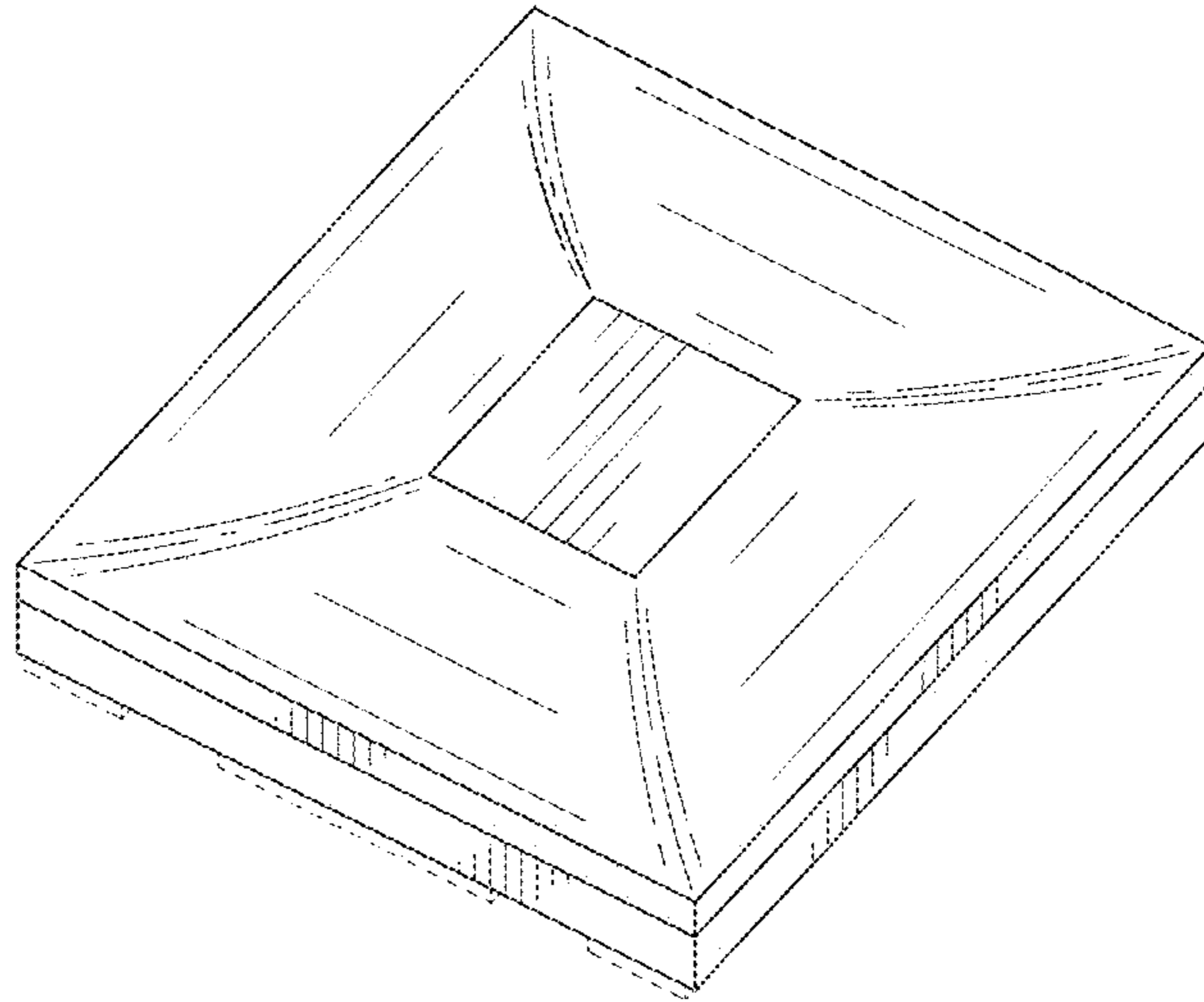


FIG. 1

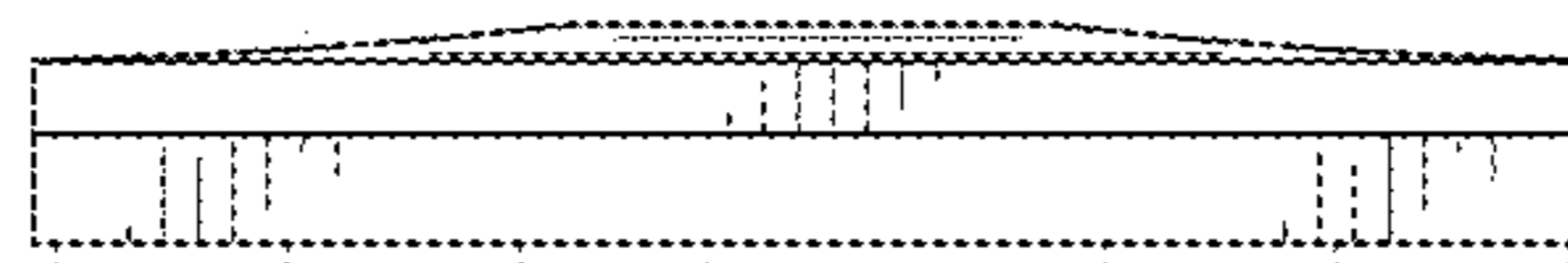


FIG. 2



FIG. 3

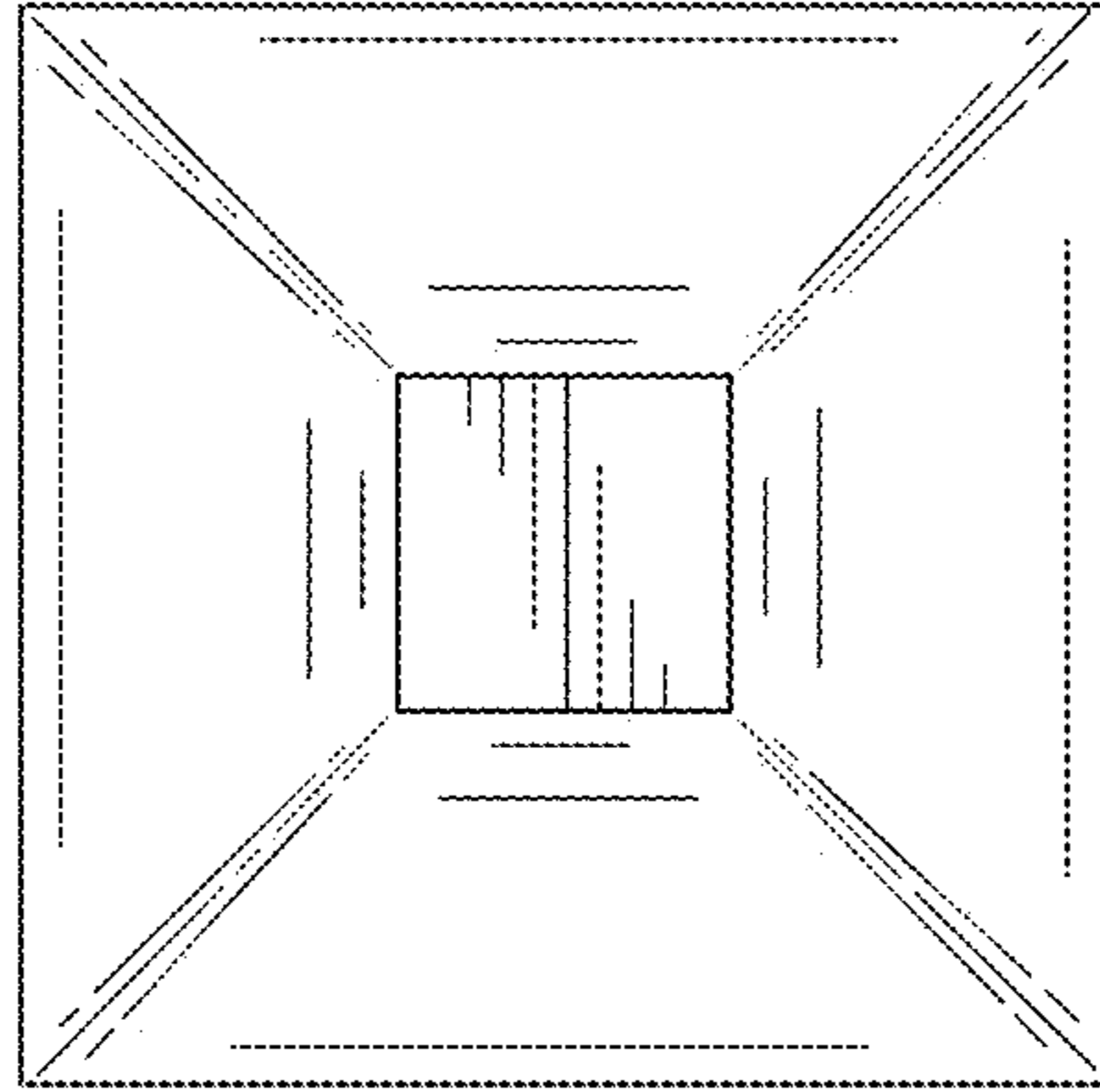


FIG. 4

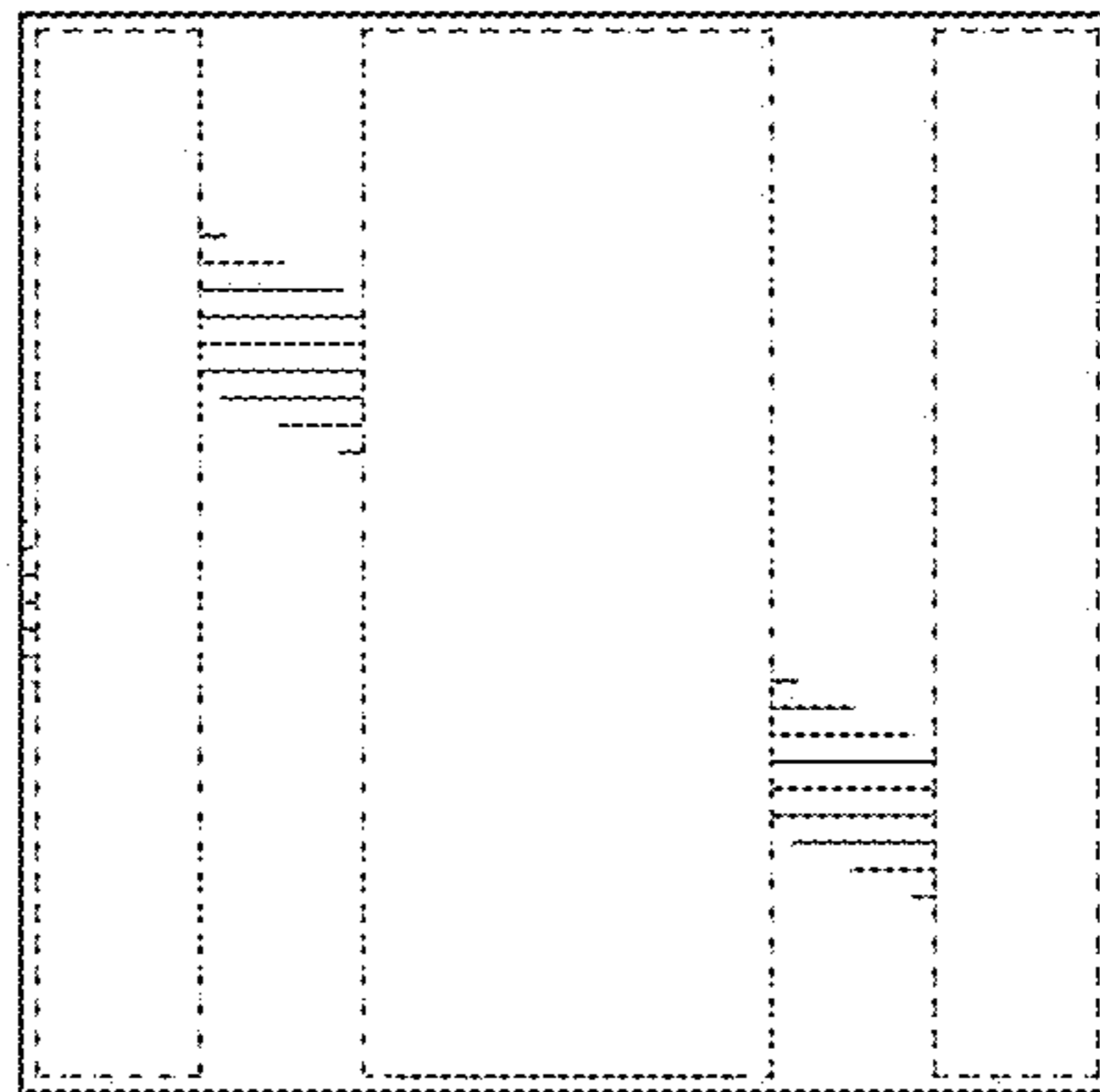


FIG. 5

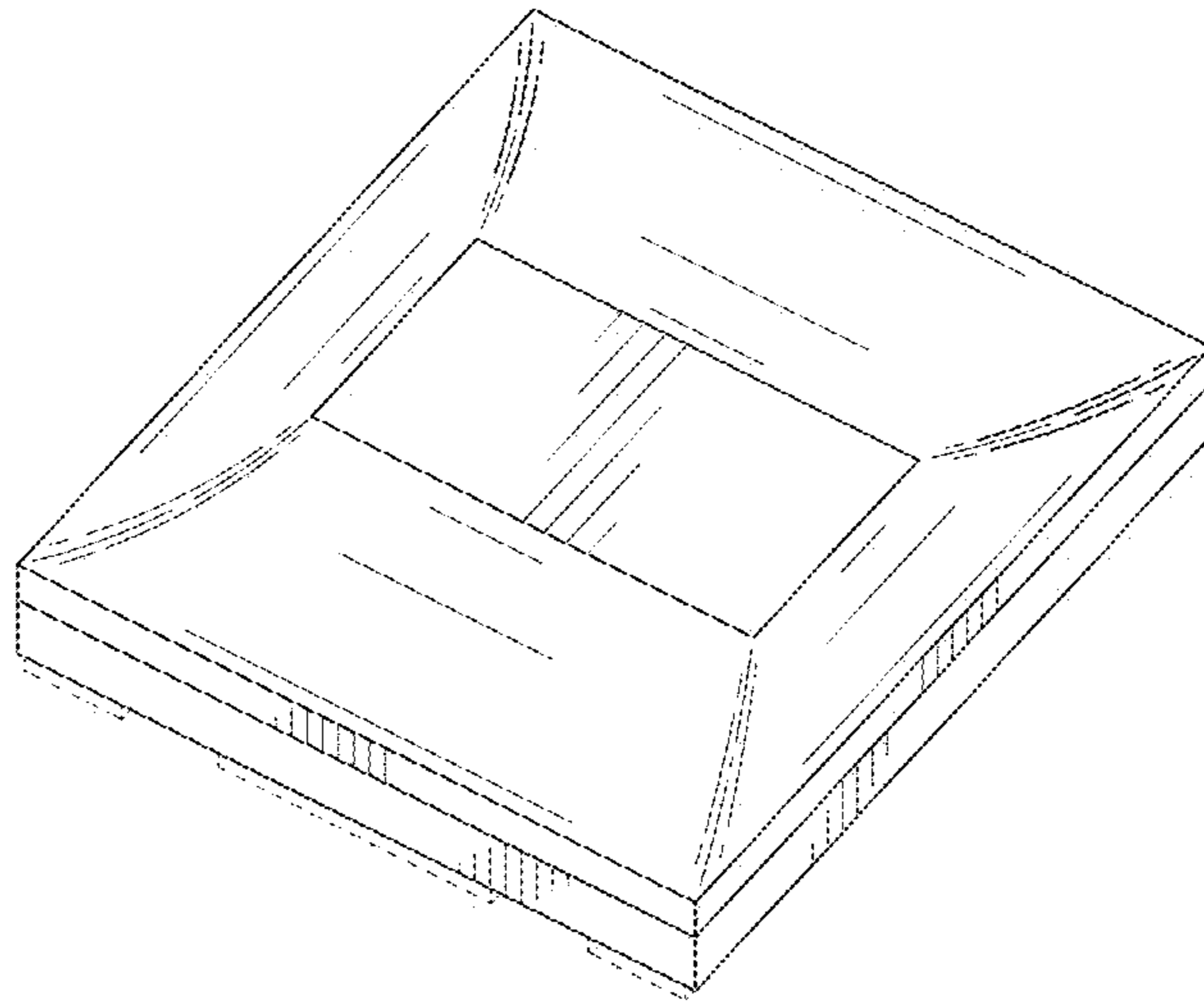


FIG. 6

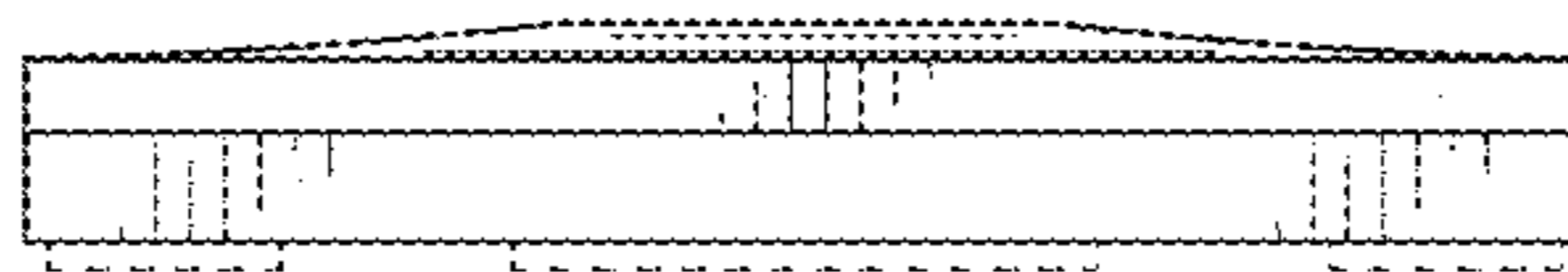


FIG. 7

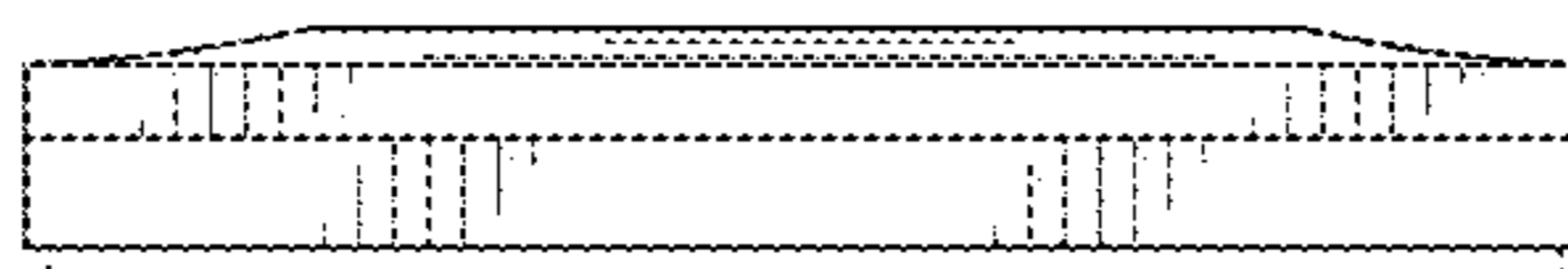


FIG. 8

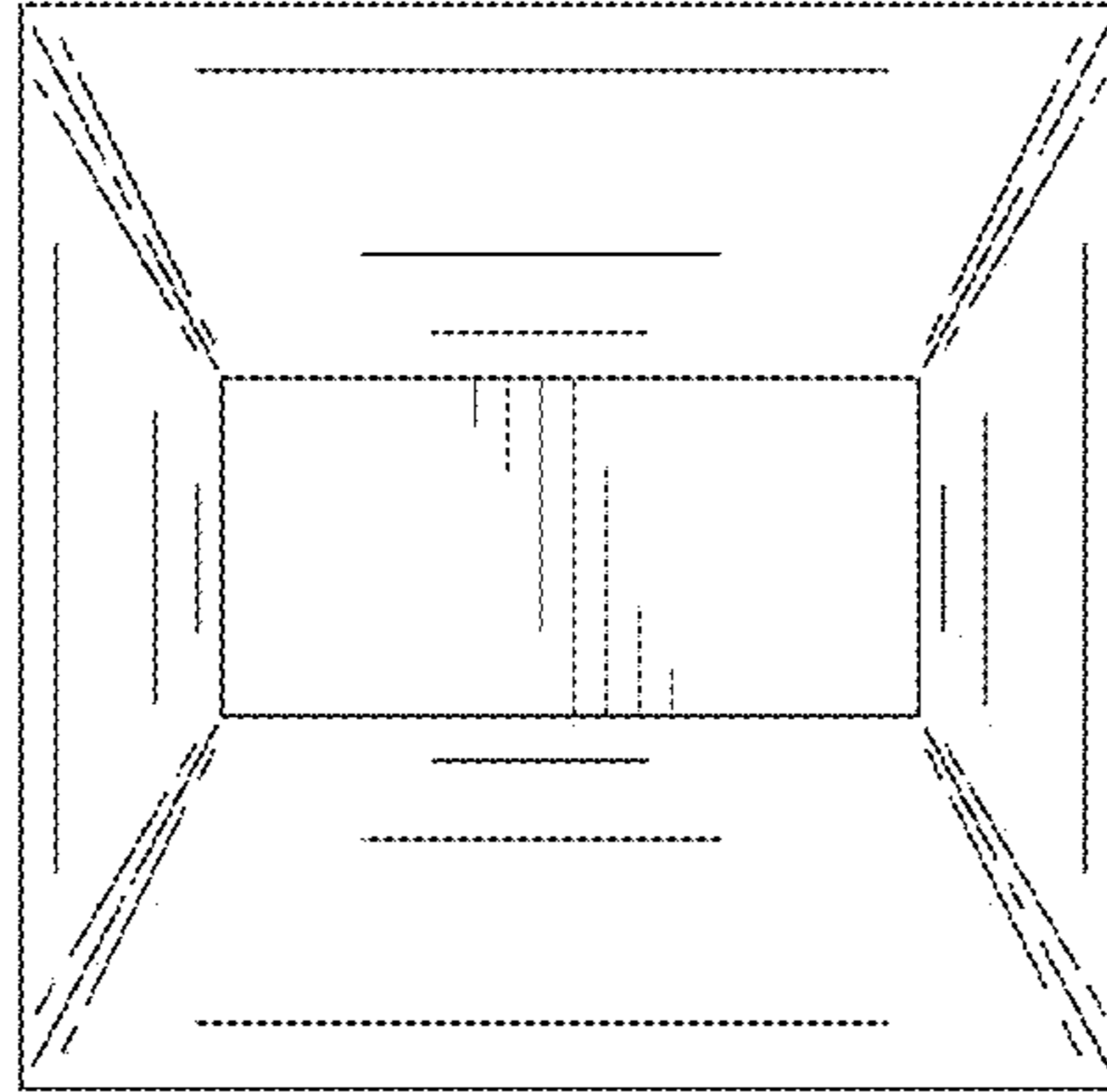


FIG. 9

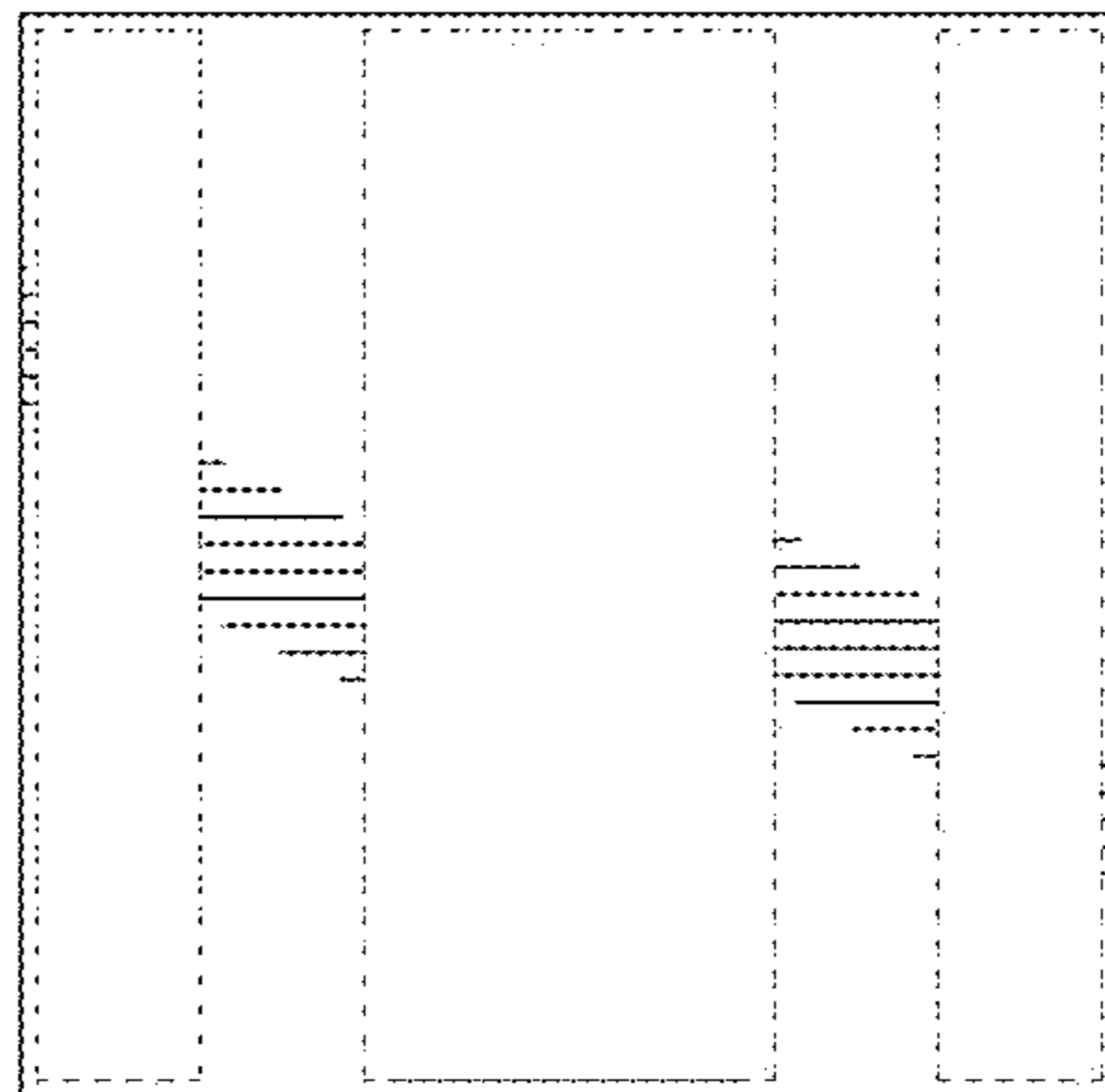


FIG. 10

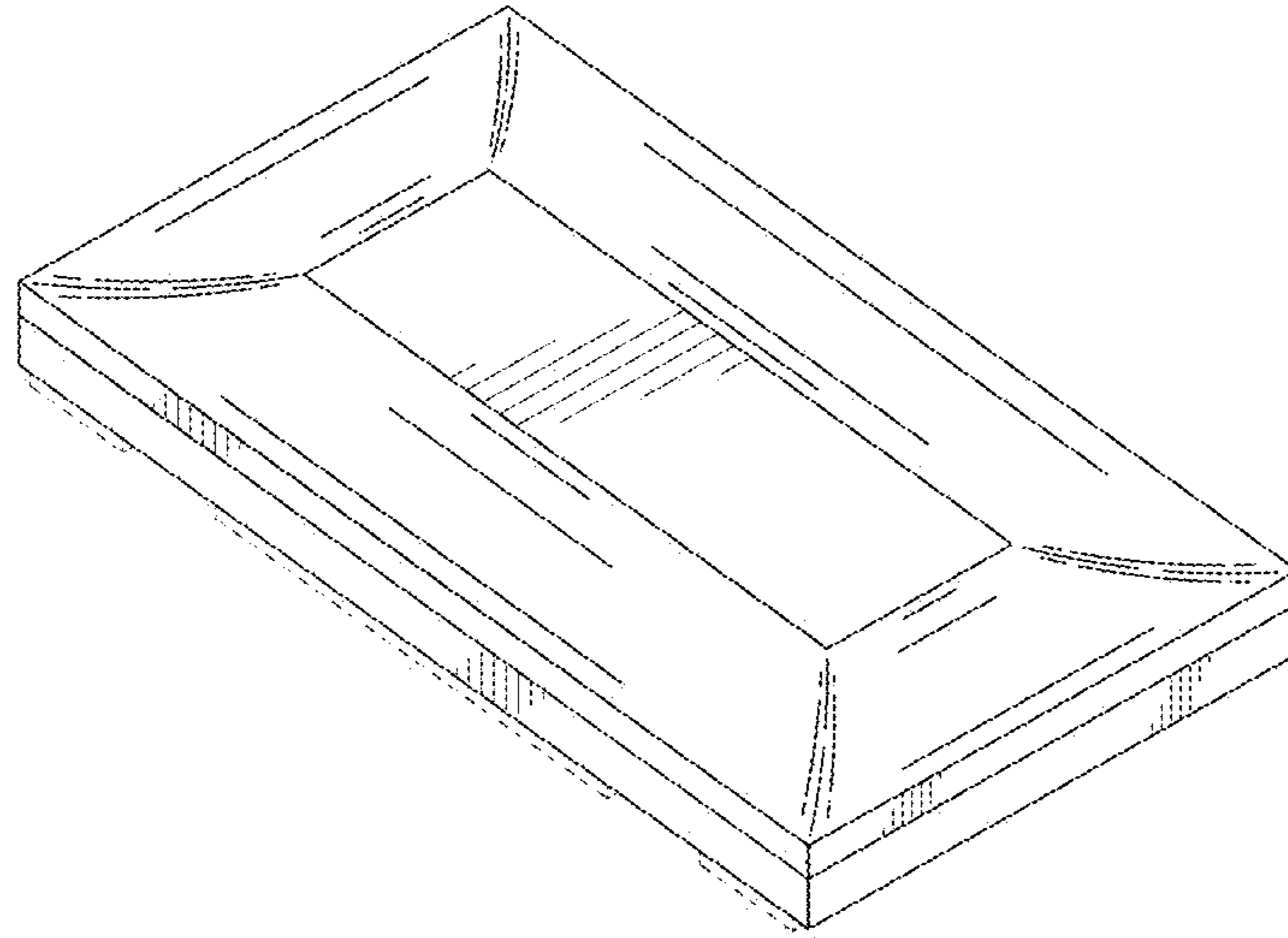


FIG. 11

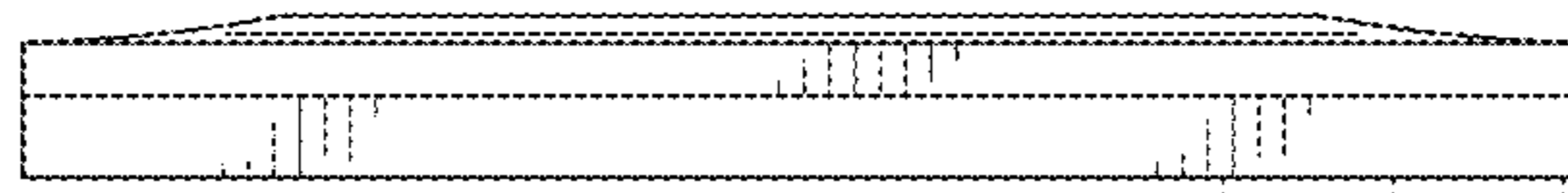


FIG. 12

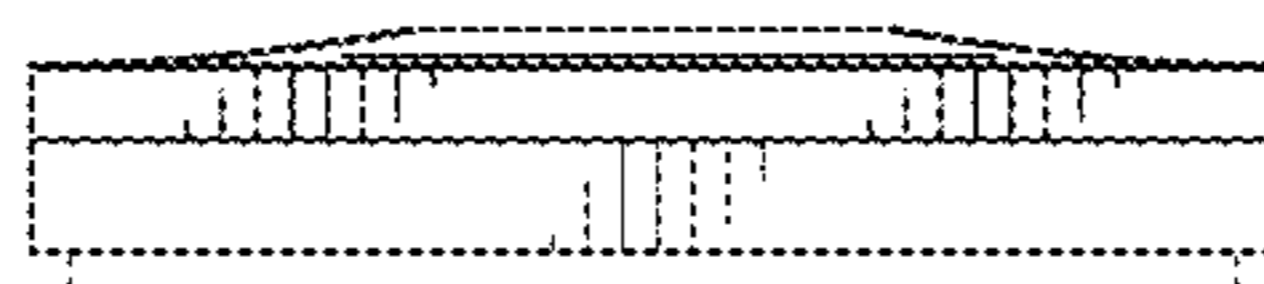


FIG. 13

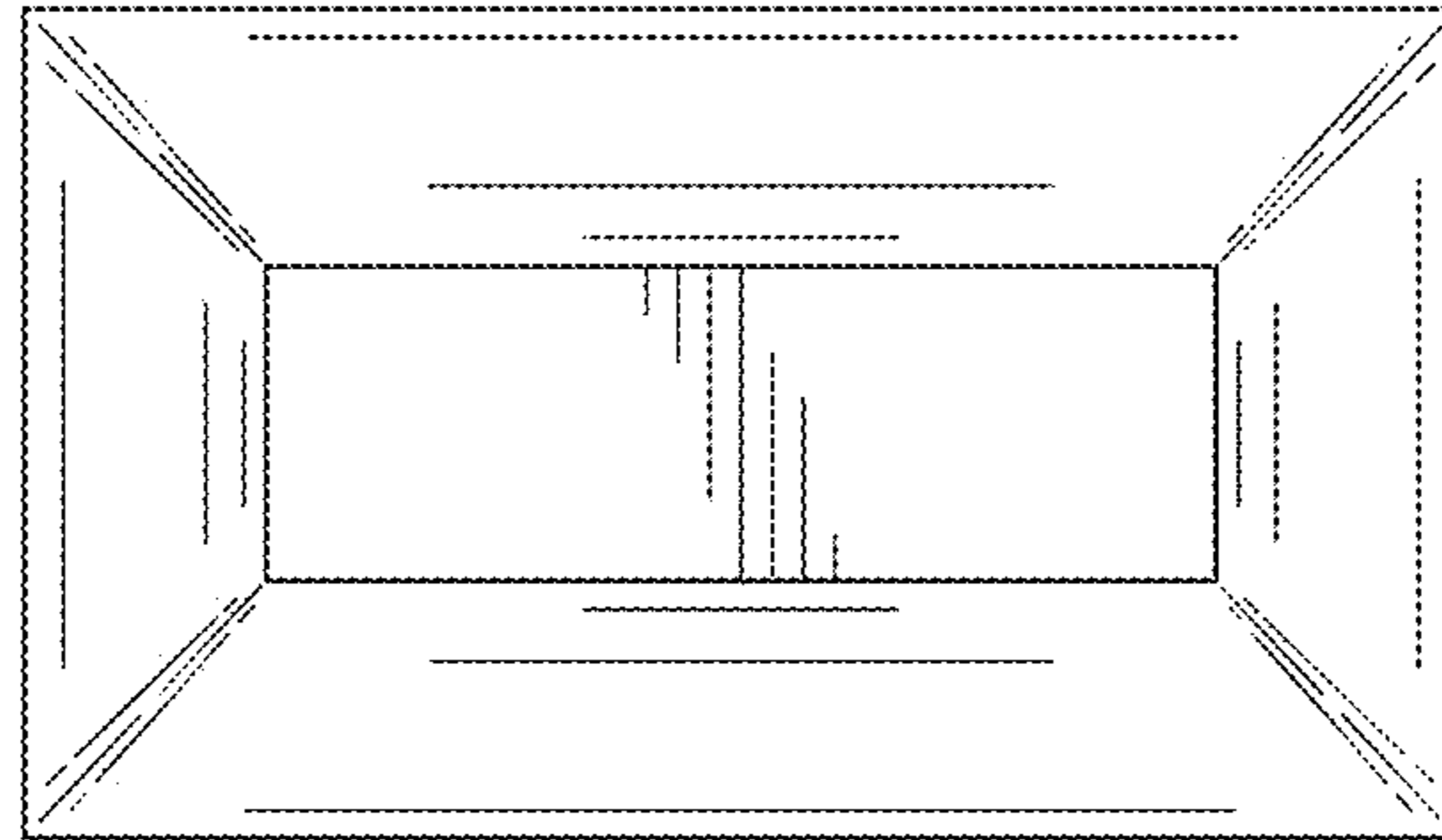


FIG. 14

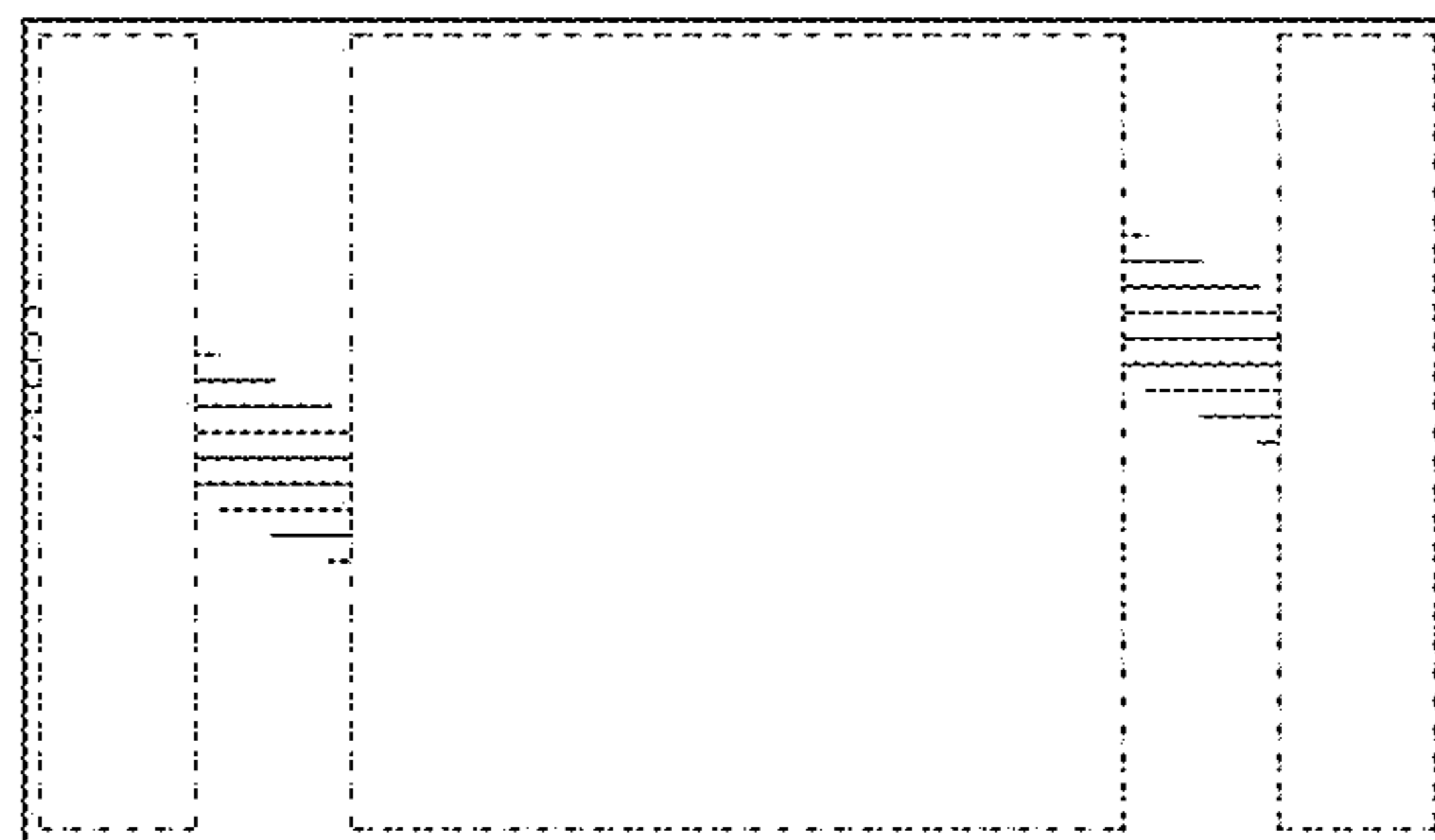


FIG. 15