



US00D890960S

(12) **United States Design Patent**  
**Chen**

(10) **Patent No.:** **US D890,960 S**

(45) **Date of Patent:** **\*\* Jul. 21, 2020**

(54) **BULB**

(71) Applicant: **XIAMEN ECO LIGHTING CO., LTD.**, Fujian (CN)

(72) Inventor: **Lirong Chen**, Fujian (CN)

(73) Assignee: **XIAMEN ECO LIGHTING CO., LTD.**, Fujian (CN)

(\*\*) Term: **15 Years**

(21) Appl. No.: **29/687,933**

(22) Filed: **Apr. 17, 2019**

(51) **LOC (12) Cl.** ..... **26-04**

(52) **U.S. Cl.**  
USPC ..... **D26/2**

(58) **Field of Classification Search**  
USPC ..... D26/1-4  
CPC ..... H01R 5/00; H01R 13/46; H01R 13/514;  
H01R 31/048; H01R 31/02; H01J 5/00;  
H01J 5/16; H01J 1/02; H01J 15/00; H01J  
5/48; H01J 5/50; H01J 19/54; F21V 5/00;  
F21K 9/13; F21K 9/135; F21K 9/1375  
See application file for complete search history.

(56) **References Cited**

**U.S. PATENT DOCUMENTS**

D610,278 S \* 2/2010 Lin ..... D26/2  
D613,887 S \* 4/2010 Lee ..... D26/2

D629,929 S \* 12/2010 Chen ..... D26/2  
D632,409 S \* 2/2011 Qiu ..... D26/2  
D654,193 S \* 2/2012 Tong ..... D26/2  
D656,252 S \* 3/2012 Engl ..... D26/2  
D679,035 S \* 3/2013 Le ..... D26/2  
D696,437 S \* 12/2013 Webb ..... D26/2

\* cited by examiner

*Primary Examiner* — Marcus A Jackson

(74) *Attorney, Agent, or Firm* — Dinsmore & Shohl LLP

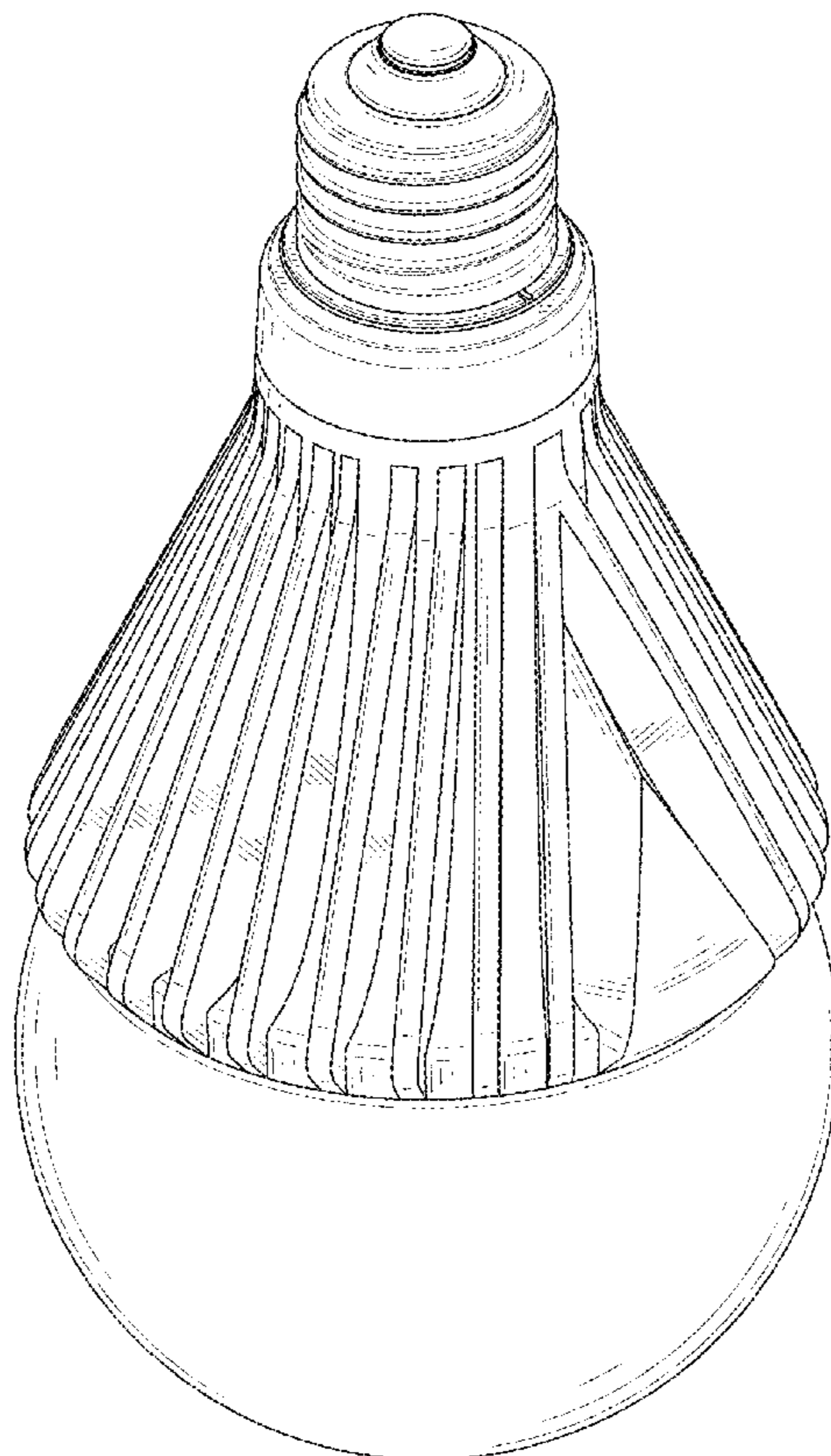
(57) **CLAIM**

The ornamental design for a bulb, as shown and described.

**DESCRIPTION**

FIG. 1 is a perspective view including a face, an end, and a side of the bulb;  
FIG. 2 is a perspective view including an opposite face, an opposite end, and an opposite side of the bulb;  
FIG. 3 is a plan view of the face of the bulb;  
FIG. 4 is a plan view of the opposite face of the bulb;  
FIG. 5 is a plan view of the side of the bulb;  
FIG. 6 is a plan view of the opposite side of the bulb;  
FIG. 7 is a plan view of the end of the bulb; and,  
FIG. 8 is a plan view of the opposite end of the bulb.

**1 Claim, 8 Drawing Sheets**



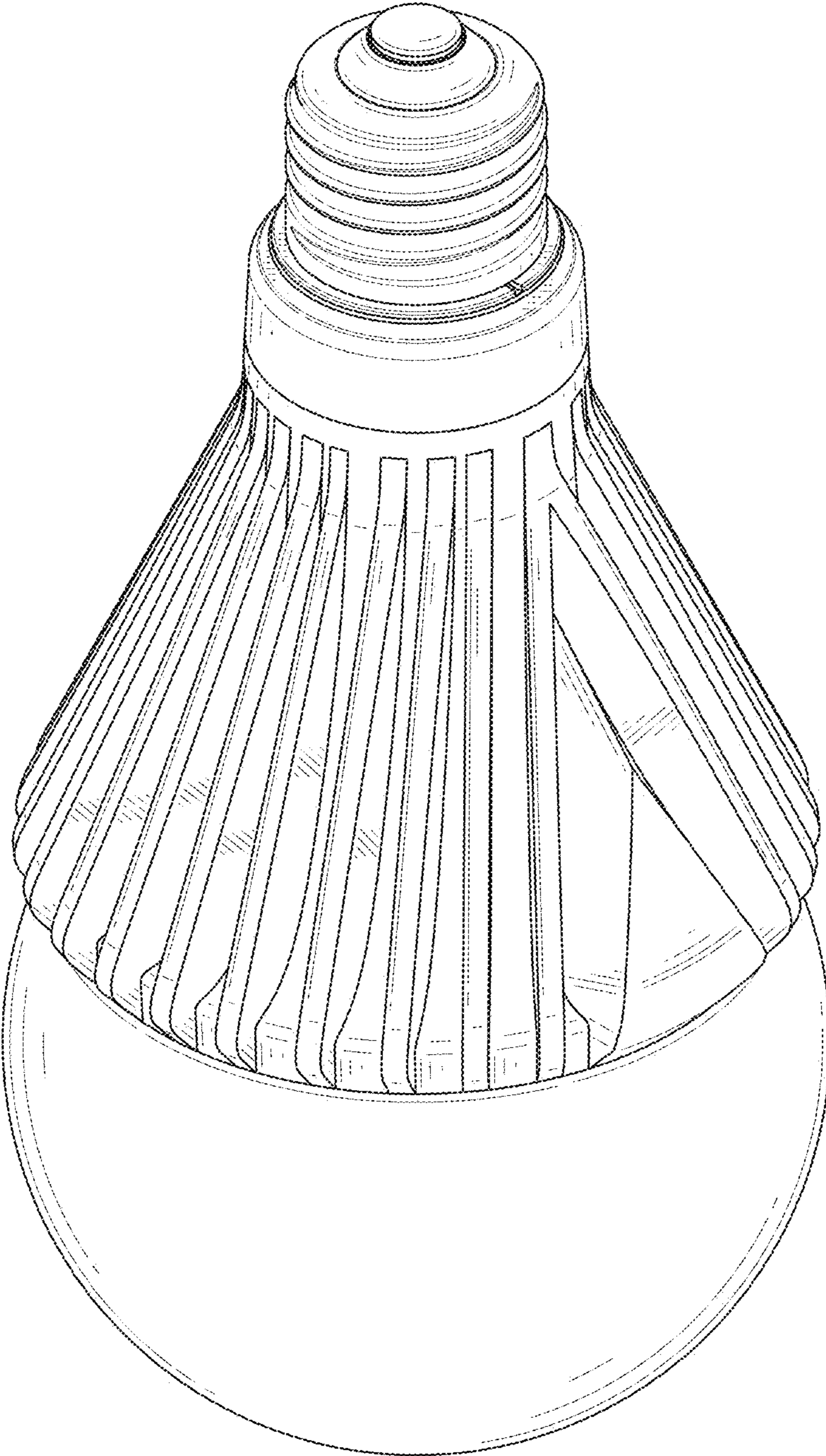


FIG. 1

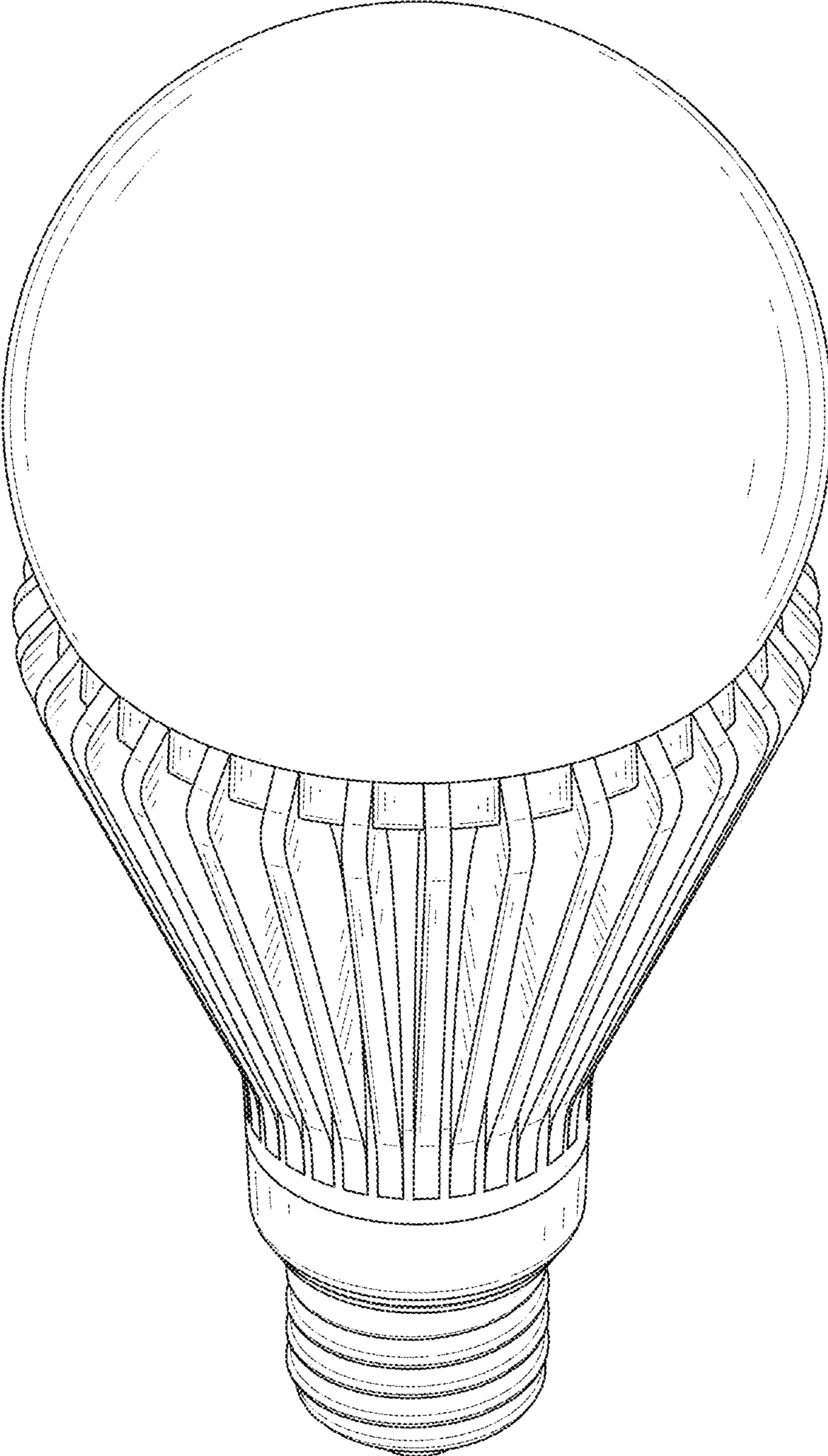


FIG. 2

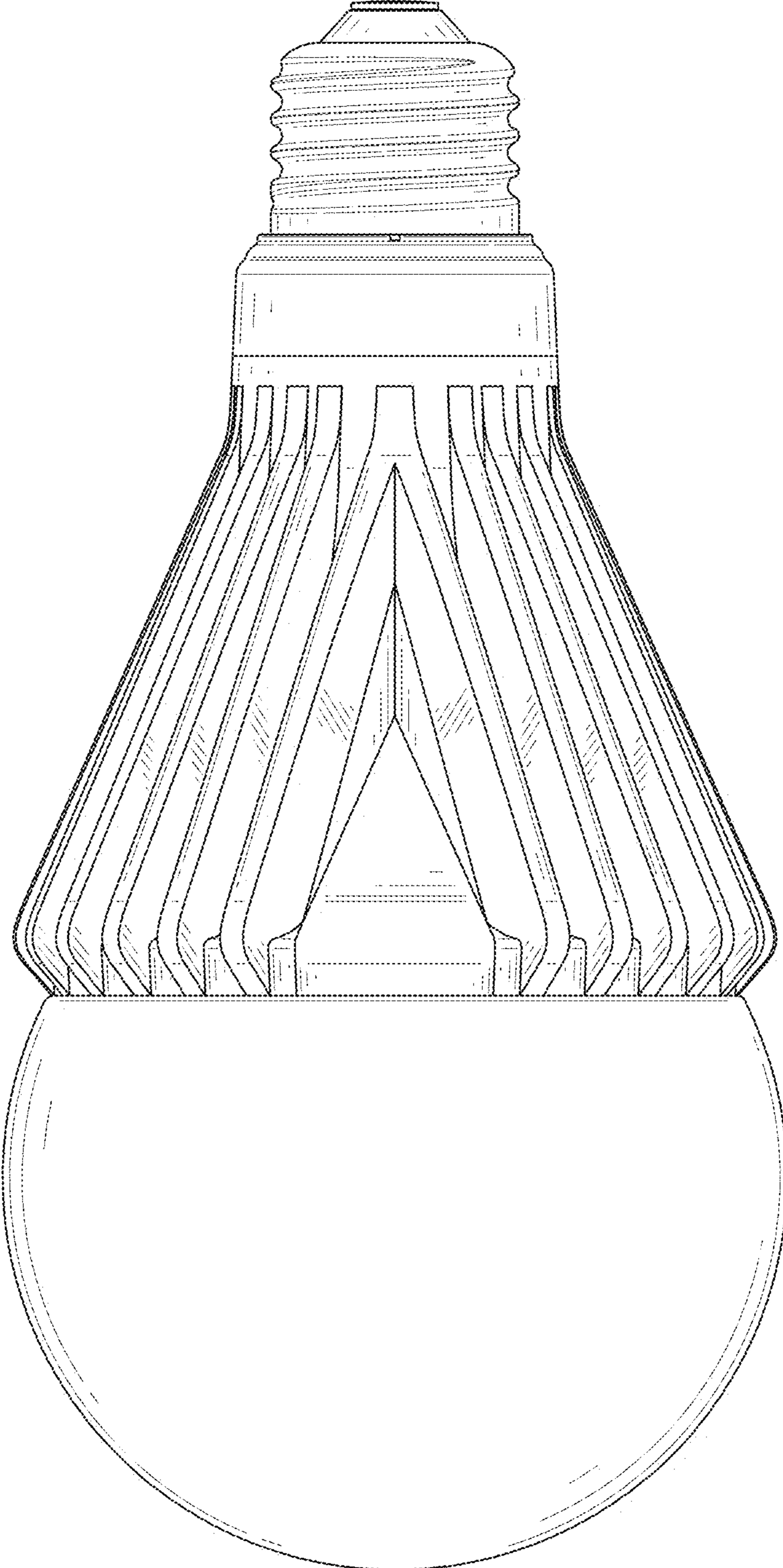


FIG. 3

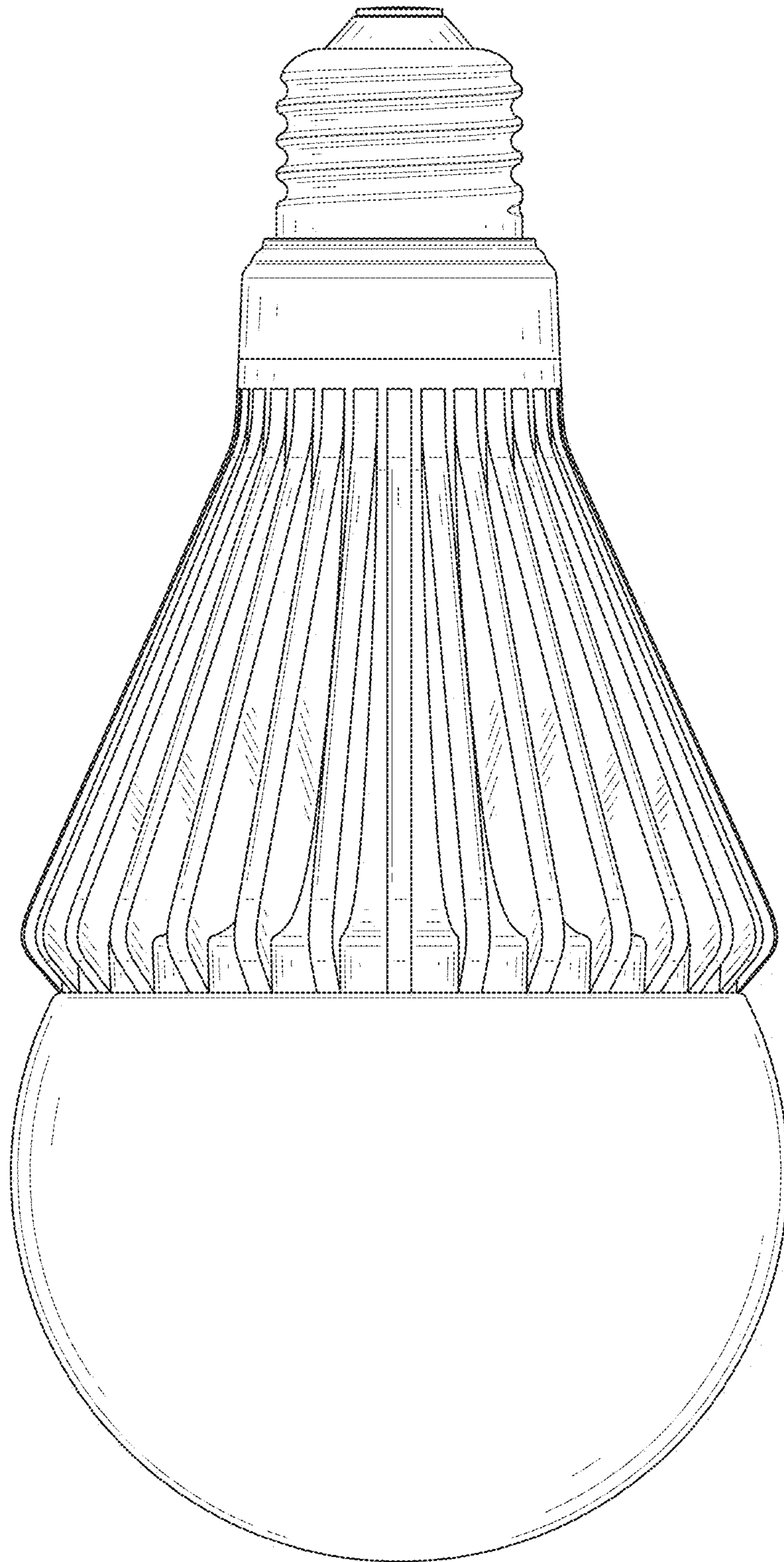


FIG. 4

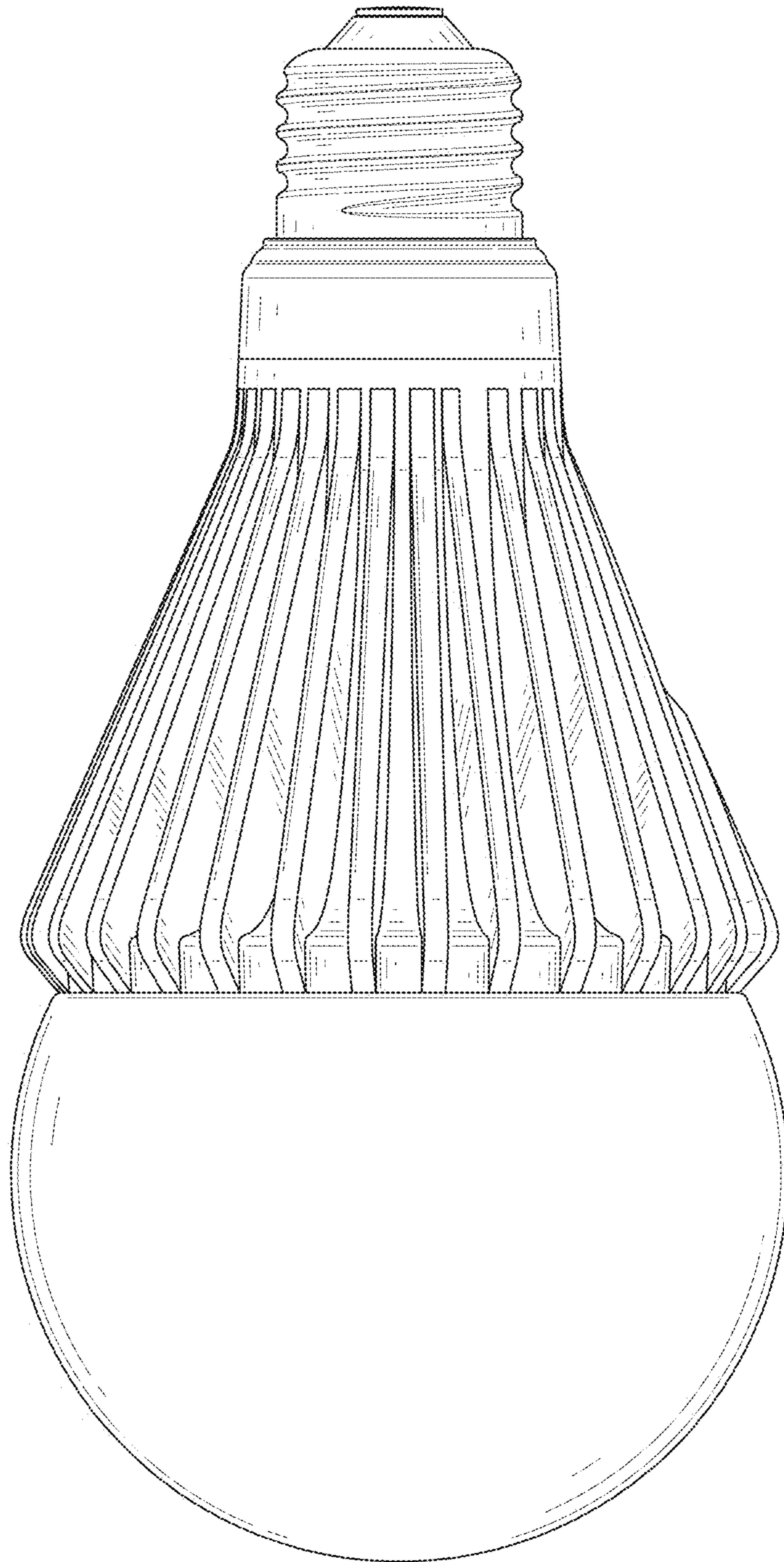


FIG. 5

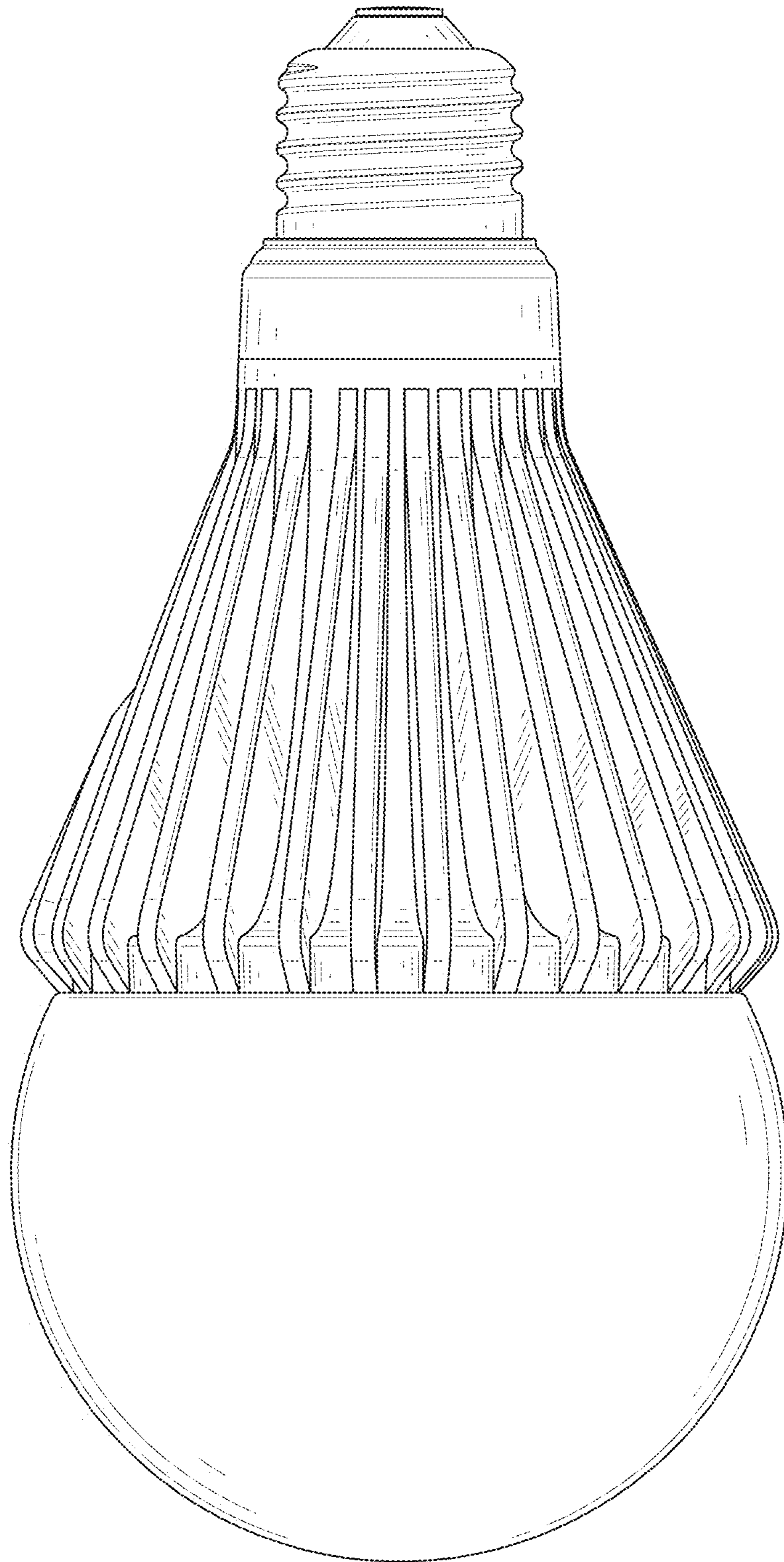


FIG. 6

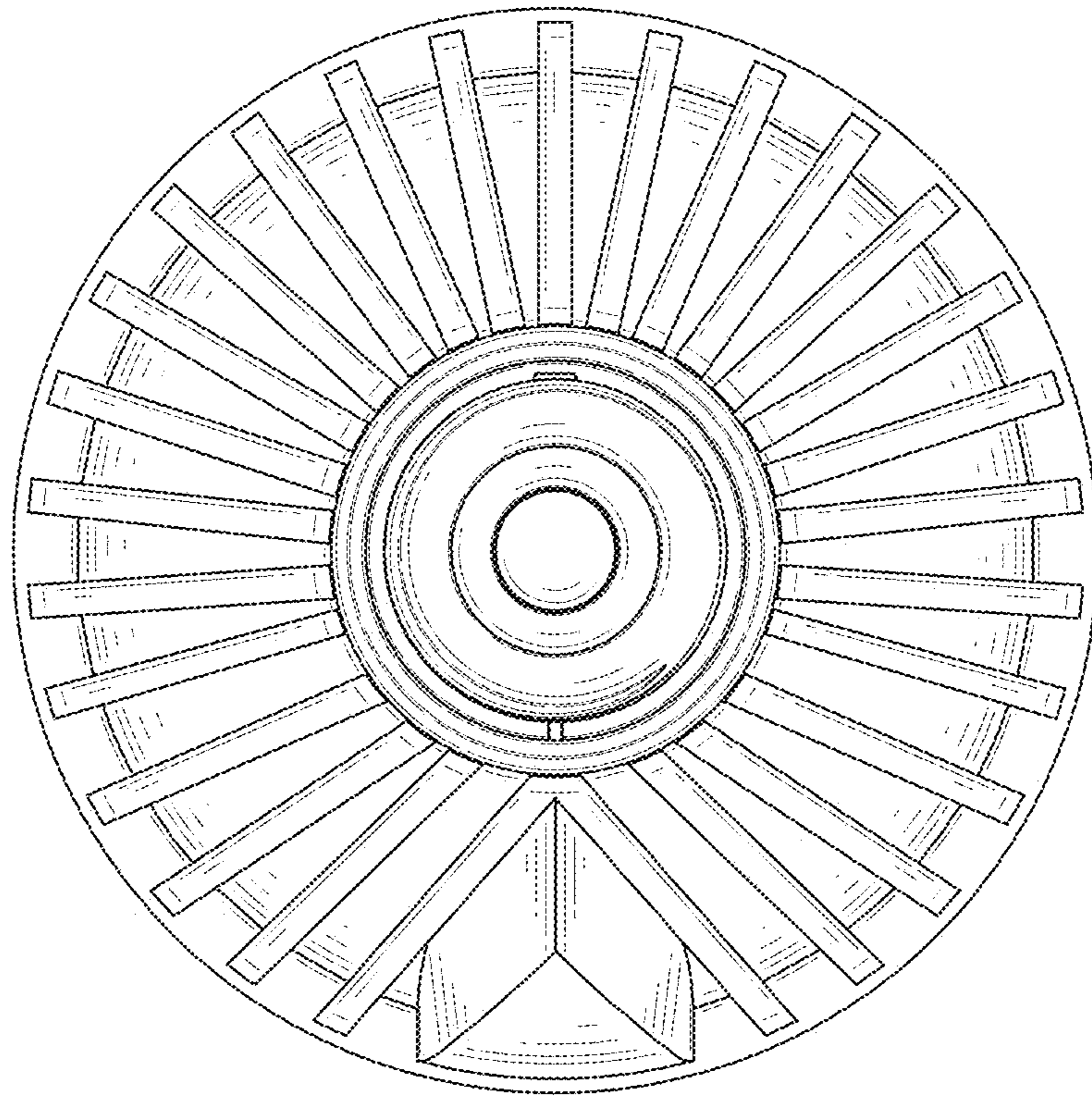


FIG. 7



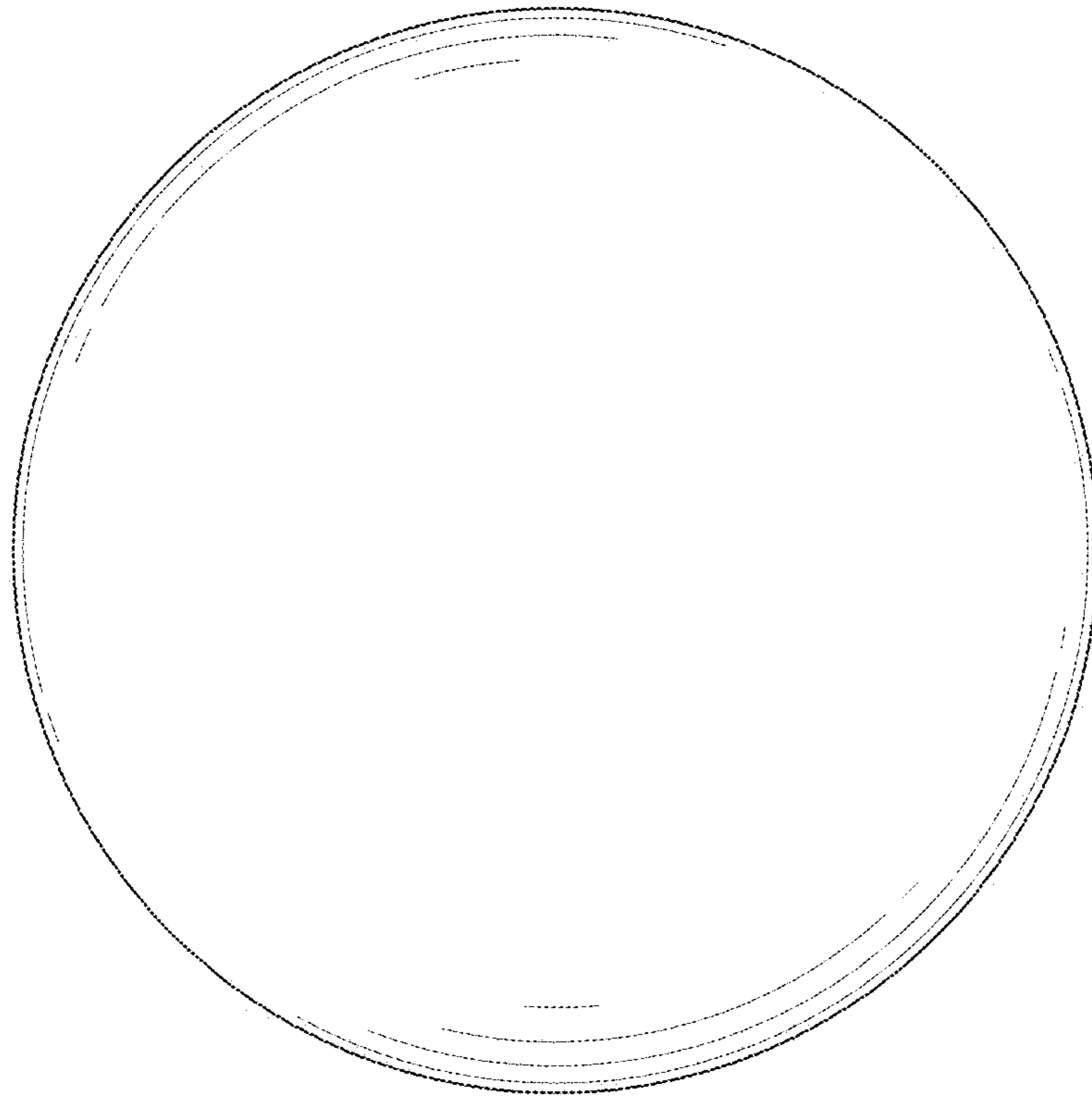


FIG. 8