



US00D890958S

(12) **United States Design Patent**  
**Helms et al.**

(10) **Patent No.:** **US D890,958 S**  
(45) **Date of Patent:** **\*\* Jul. 21, 2020**

- (54) **BUILDING EXTRUSION**
- (71) Applicant: **Golden Homes Holdings Limited**,  
Tauranga (NZ)
- (72) Inventors: **Lennard Trevor Helms**, Tauranga  
(NZ); **Michael Petersen**, Auckland  
(NZ)
- (73) Assignee: **GOLDEN HOMES HOLDINGS  
LIMITED**, Tauranga (NZ)
- (\*\*) Term: **15 Years**
- (21) Appl. No.: **29/661,518**
- (22) Filed: **Aug. 28, 2018**
- (30) **Foreign Application Priority Data**  
  
Feb. 28, 2018 (NZ) ..... 424129
- (51) **LOC (12) Cl.** ..... **25-01**
- (52) **U.S. Cl.**  
USPC ..... **D25/124**
- (58) **Field of Classification Search**  
USPC ..... D25/119-123, 138, 141, 142, 164  
CPC ..... E04F 19/00; E04F 19/02; E04F 19/022;  
E04F 19/026; E04F 19/028; E04F 19/06;  
E04F 19/062; E04F 19/063; E04F 19/064;  
E04F 13/00; E04F 13/07; E04F 13/072;  
E04F 13/073; E04F 13/0733; E04F  
13/0736; E04D 13/08  
See application file for complete search history.

- (56) **References Cited**  
  
U.S. PATENT DOCUMENTS  
  
D237,263 S \* 10/1975 Edwards ..... D25/123  
D259,364 S \* 5/1981 Poth ..... D25/124  
D263,759 S \* 4/1982 Dallaire ..... D25/119  
5,531,050 A \* 7/1996 Stibolt ..... E04F 19/064  
52/254

- 5,974,748 A \* 11/1999 Sciuga ..... E04F 19/06  
52/101
- 6,041,555 A \* 3/2000 Alpi ..... E04D 13/08  
52/11
- 6,212,845 B1 \* 4/2001 De Zen ..... E04B 1/12  
52/607
- 6,311,442 B1 \* 11/2001 Watanabe ..... E04F 19/022  
156/91
- 6,341,458 B1 \* 1/2002 Burt ..... E04F 19/061  
D25/164
- D784,560 S \* 4/2017 D'Anglade ..... D25/119
- D847,380 S \* 4/2019 Singh ..... D25/119
- 2003/0037495 A1 \* 2/2003 Shaw ..... E04F 19/022  
52/287.1
- 2005/0262784 A1 \* 12/2005 Justice ..... E04F 19/022  
52/287.1

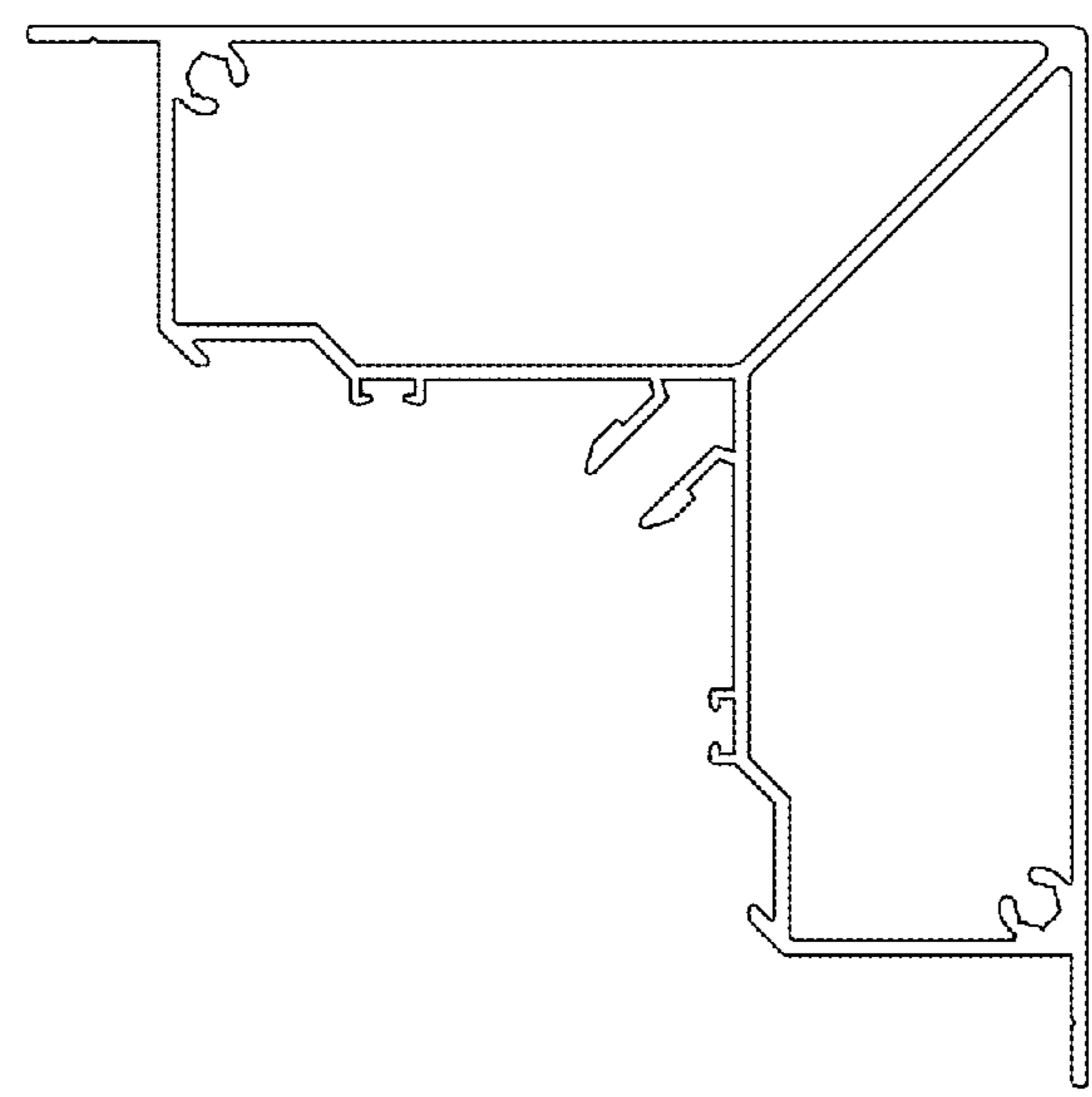
(Continued)

*Primary Examiner* — Llorelys Martinez  
(74) *Attorney, Agent, or Firm* — Knobbe, Martens, Olson  
& Bear, LLP

(57) **CLAIM**  
The ornamental design for a building extrusion, as shown  
and described.

**DESCRIPTION**  
  
FIG. 1 is a front end view of a building extrusion, showing  
our new design;  
FIG. 2 is a back end view thereof;  
FIG. 3 is a right side elevation view thereof;  
FIG. 4 is a left side elevation view thereof;  
FIG. 5 is a bottom plan view thereof;  
FIG. 6 is a top plan view thereof; and,  
FIG. 7 is a front, top perspective view thereof.  
Broken lines are used in the drawings to illustrate features of  
the building extrusion that form no part of the claimed  
design. The building extrusion is shown with a symbolic  
break in its length. The appearance of any portion of the  
building extrusion between the break lines forms no part of  
the claimed design.

**1 Claim, 7 Drawing Sheets**



(56)

**References Cited**

U.S. PATENT DOCUMENTS

2011/0056144 A1\* 3/2011 Hicks ..... E04D 13/08  
52/12  
2013/0205684 A1\* 8/2013 Peck ..... E04D 13/08  
52/16  
2019/0017280 A1\* 1/2019 Mineo ..... E04F 19/064

\* cited by examiner

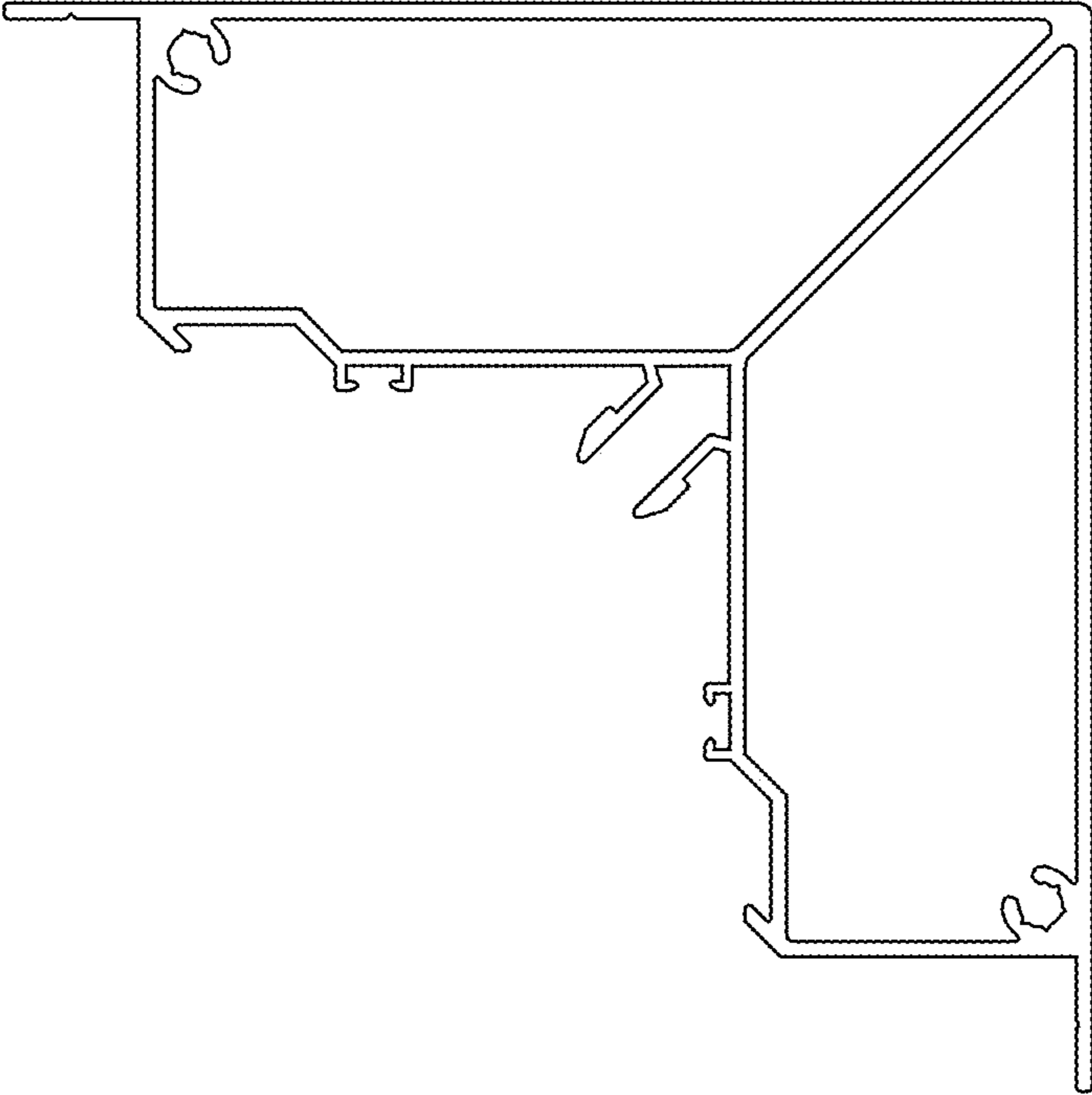


FIG. 1

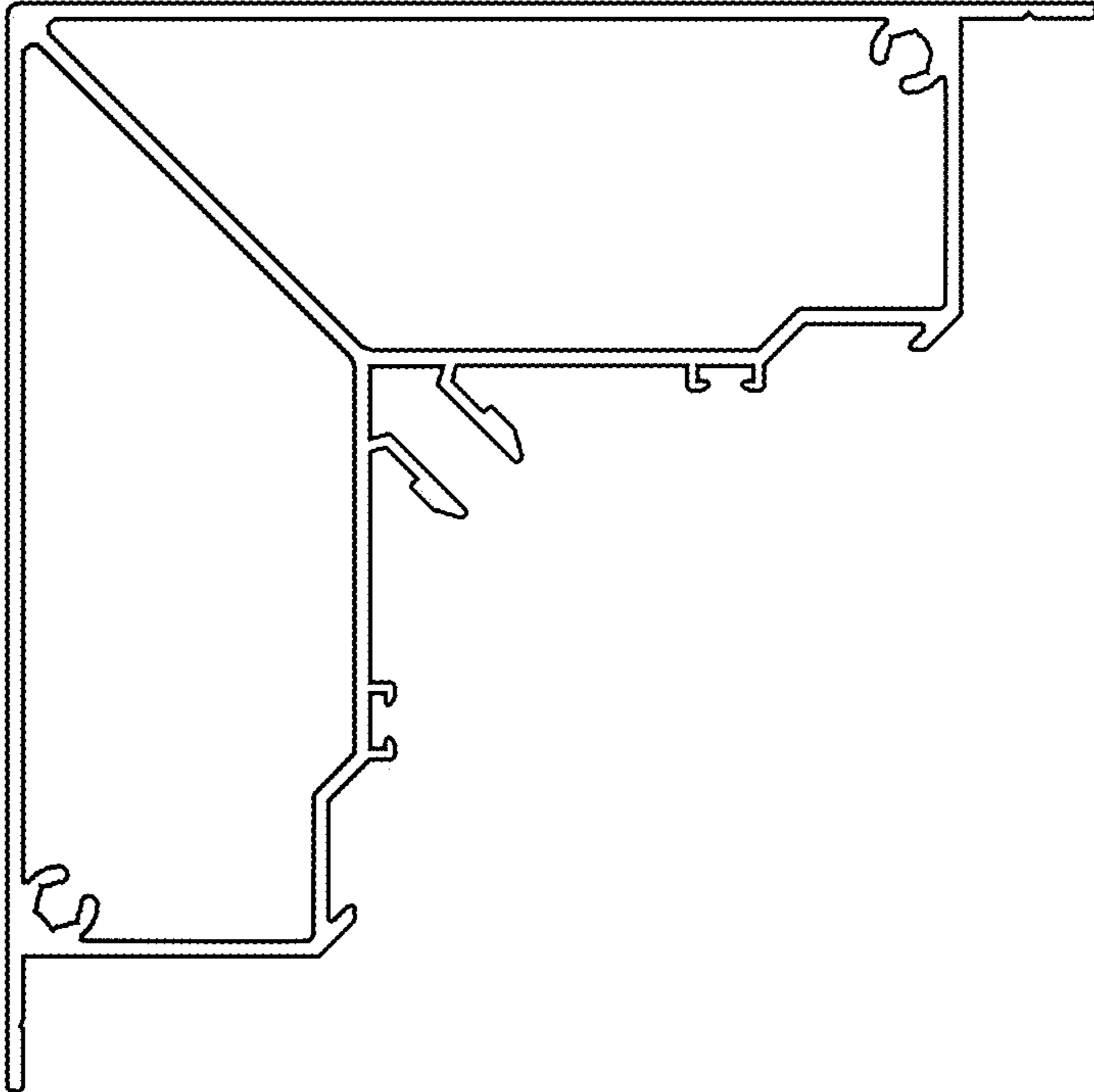


FIG. 2

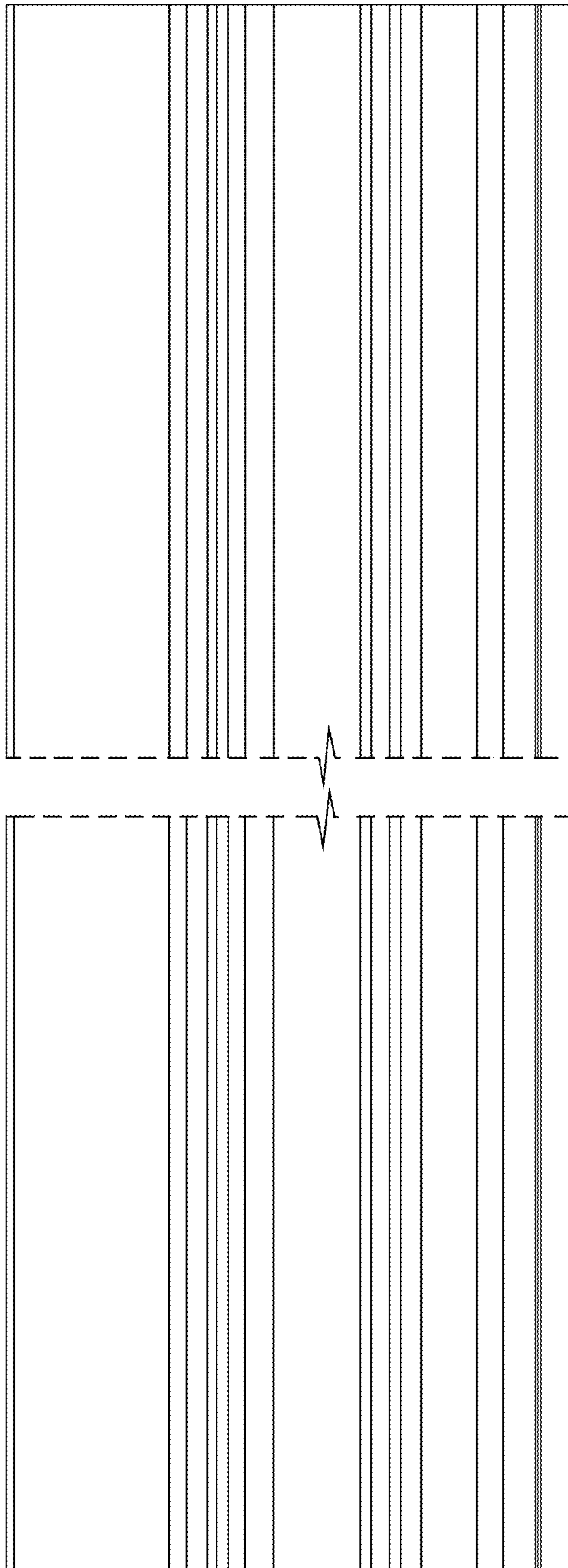


FIG. 3

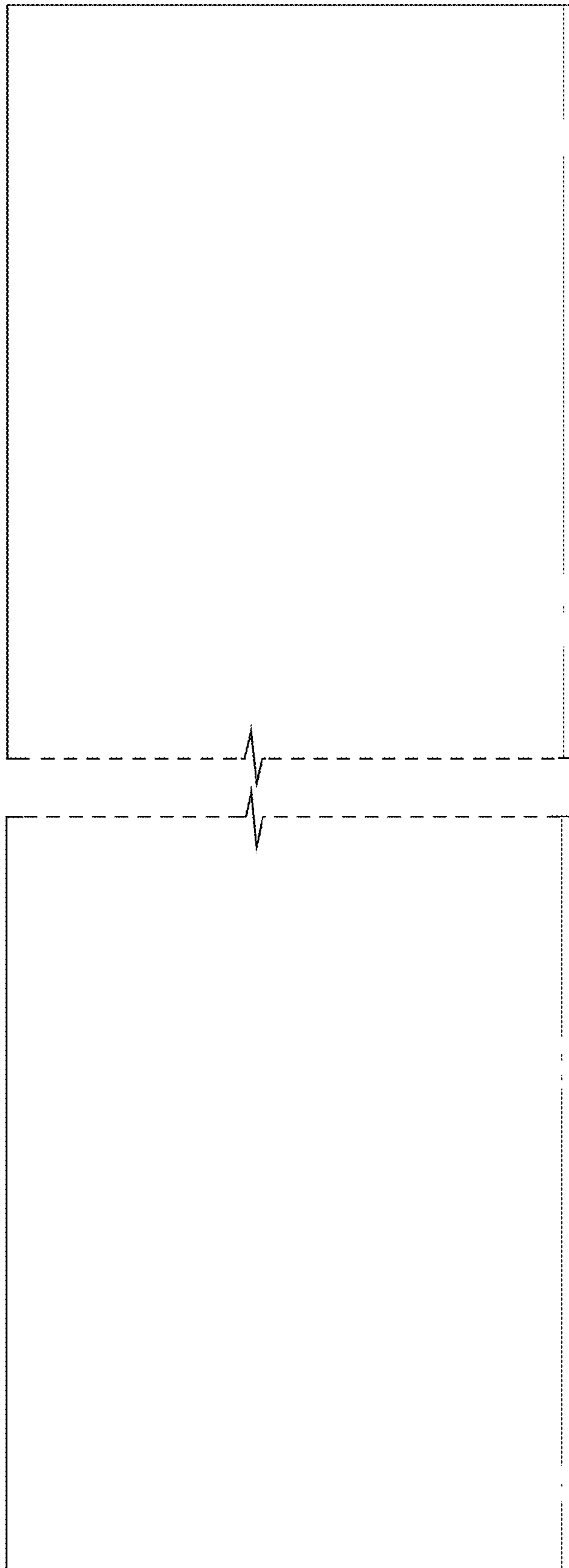


FIG. 4

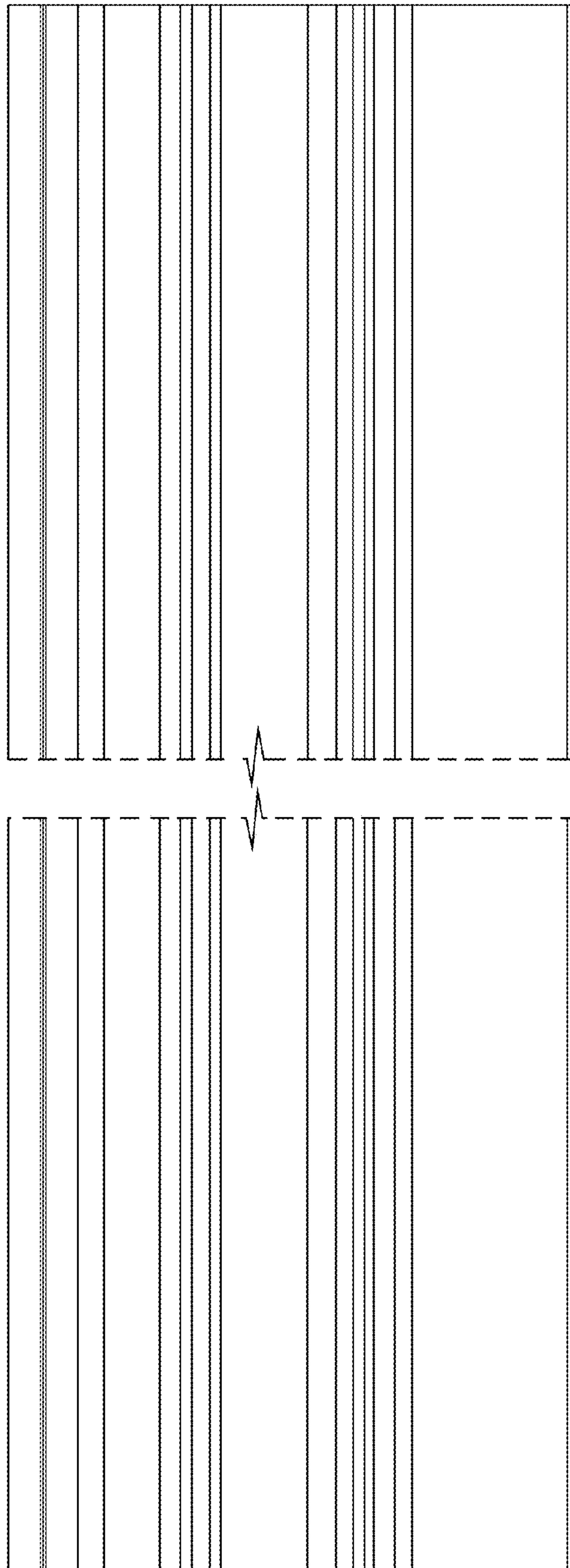


FIG. 5

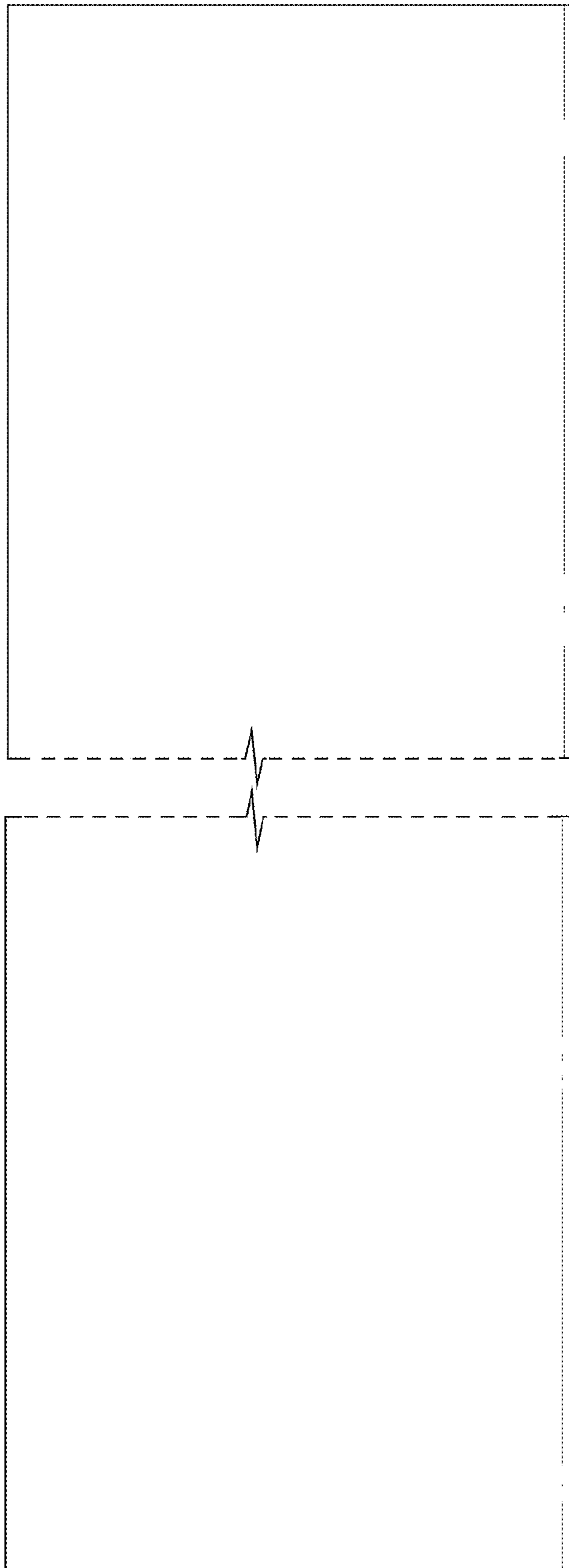


FIG. 6



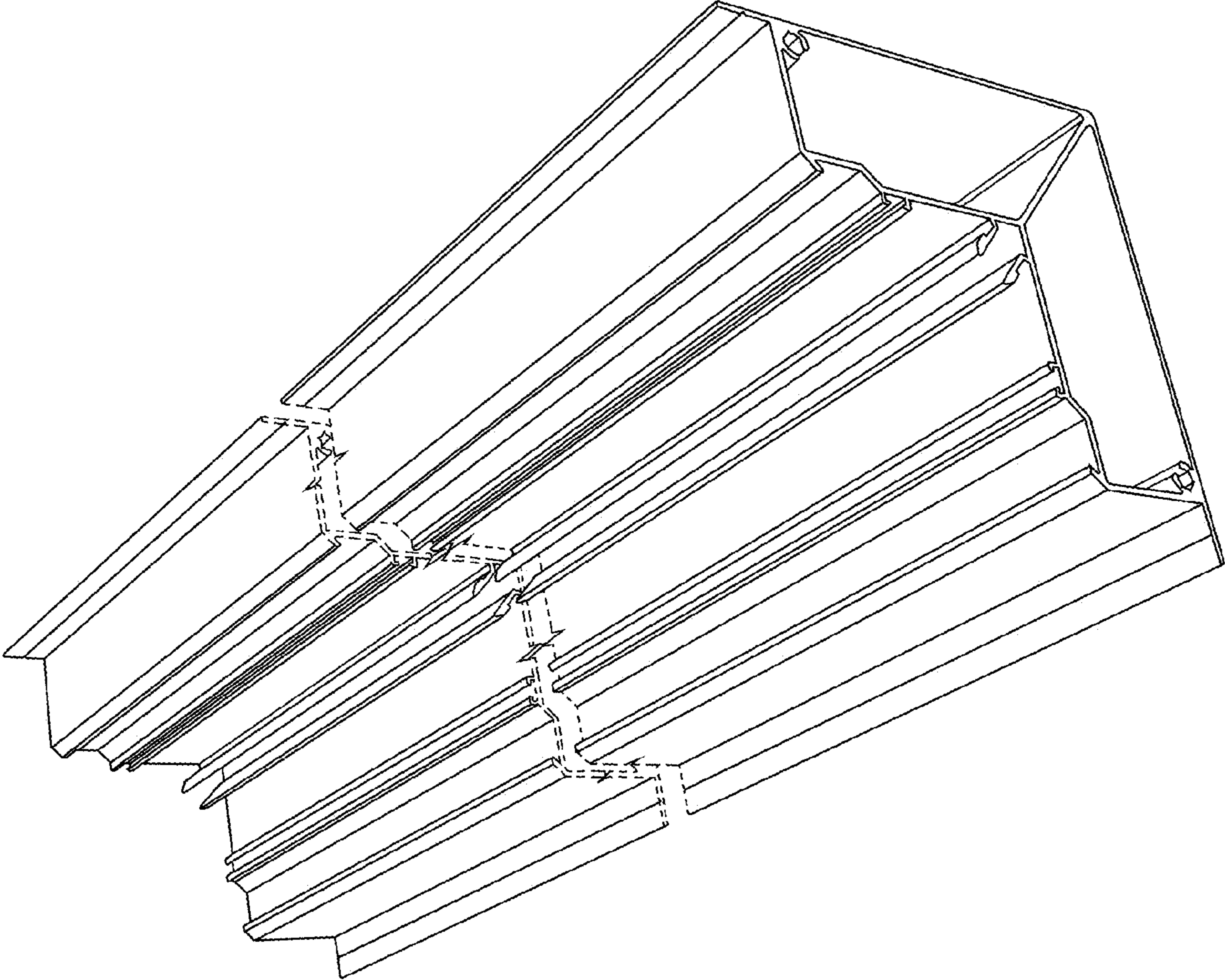


FIG. 7