



US00D890957S

(12) **United States Design Patent**
Kuka

(10) **Patent No.:** **US D890,957 S**

(45) **Date of Patent:** **** Jul. 21, 2020**

(54) **STAIRCASE OBSTACLE ASSEMBLY**

5,833,576 A * 11/1998 Henmi A63B 23/0458
52/182

(71) Applicant: **Move Strong Functional Fitness
Equipment LLC**, Chattanooga, TN
(US)

6,085,867 A * 7/2000 Daniel, III E04F 11/112
182/113

D838,384 S * 1/2019 Monnin D25/63

* cited by examiner

(72) Inventor: **Jared Kuka**, Chattanooga, TN (US)

Primary Examiner — Gino Colan

(73) Assignee: **MoveStrong Functional Fitness
Equipment, LLC**, Charleston, SC (US)

(74) *Attorney, Agent, or Firm* — Patterson Intellectual
Property Law, P.C.; Ryan D. Levy

(**) Term: **15 Years**

(21) Appl. No.: **29/666,515**

(57) **CLAIM**

(22) Filed: **Oct. 12, 2018**

What is claimed is the ornamental design for a staircase
obstacle assembly, as shown and described.

(51) **LOC (12) Cl.** **25-04**

(52) **U.S. Cl.**
USPC **D25/63**

(58) **Field of Classification Search**
USPC D25/62, 63, 68, 69, 1; 52/188, 182, 183,
52/741.2, 191; 182/151, 115, 194, 93,
182/106, 113
CPC E04F 11/02; E04F 11/112
See application file for complete search history.

DESCRIPTION

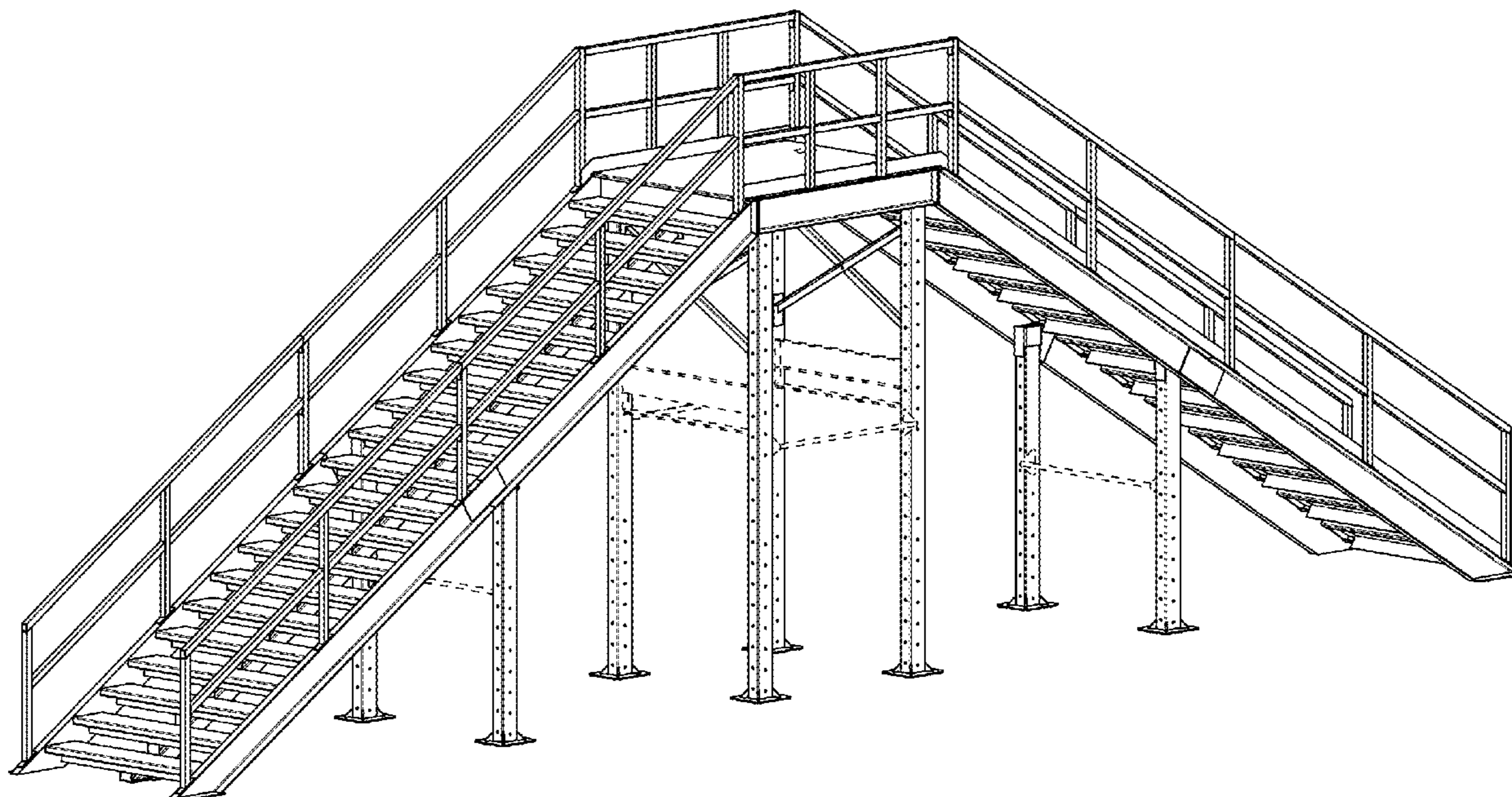
FIG. 1 is a top front left perspective view of a staircase
obstacle assembly showing my new design;
FIG. 2 is a top back right perspective view thereof;
FIG. 3 is a bottom front left perspective view thereof;
FIG. 4 is a bottom back right perspective view thereof;
FIG. 5 is a top plan view thereof;
FIG. 6 is a front elevation view thereof;
FIG. 7 is a back elevation view thereof;
FIG. 8 is a bottom thereof;
FIG. 9 is a left side elevation view thereof; and,
FIG. 10 is a right side elevation view thereof.
The broken lines shown in the figures are for the purpose of
illustrating portions of the staircase obstacle assembly and
form no part of the claimed design.

(56) **References Cited**

U.S. PATENT DOCUMENTS

- 3,175,654 A * 3/1965 Calvert E04F 11/02
D25/63
- 3,670,848 A * 6/1972 Raiguel, Jr. E04F 11/02
182/115
- 4,042,064 A * 8/1977 Lobb E01F 1/00
182/115
- 4,580,777 A * 4/1986 Johnson A63B 23/0458
182/118

1 Claim, 7 Drawing Sheets



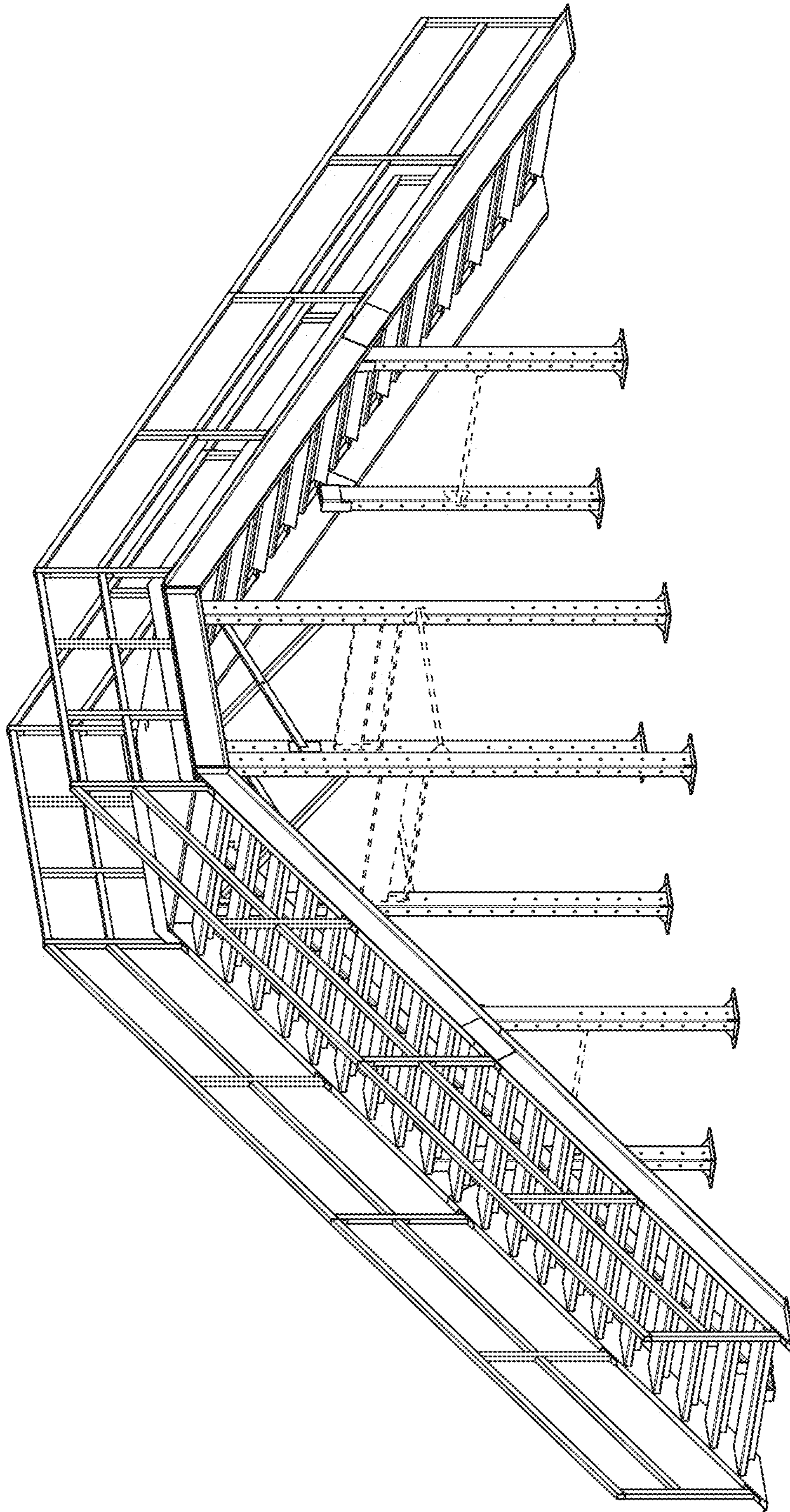


FIG. 1

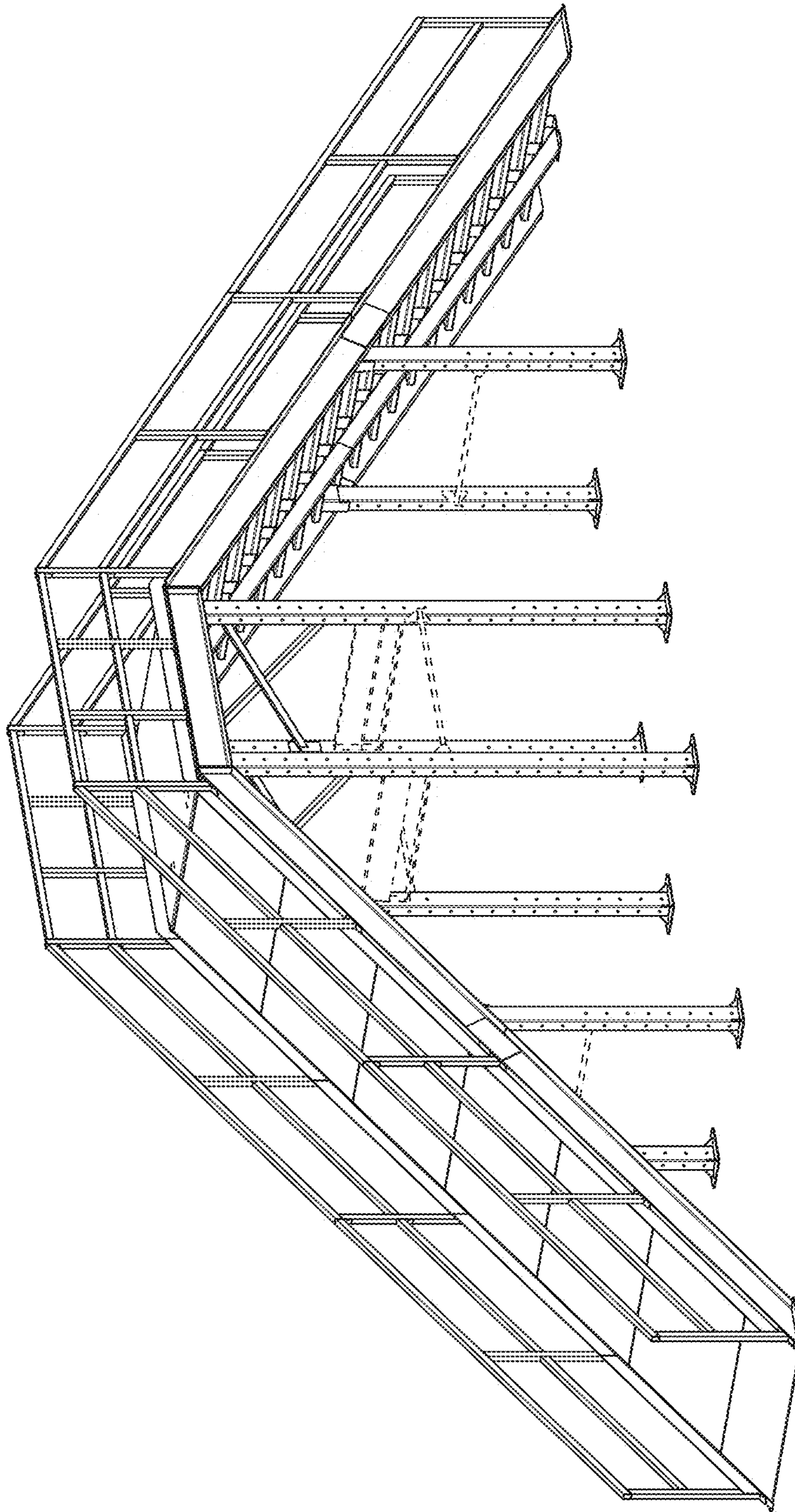


FIG. 2

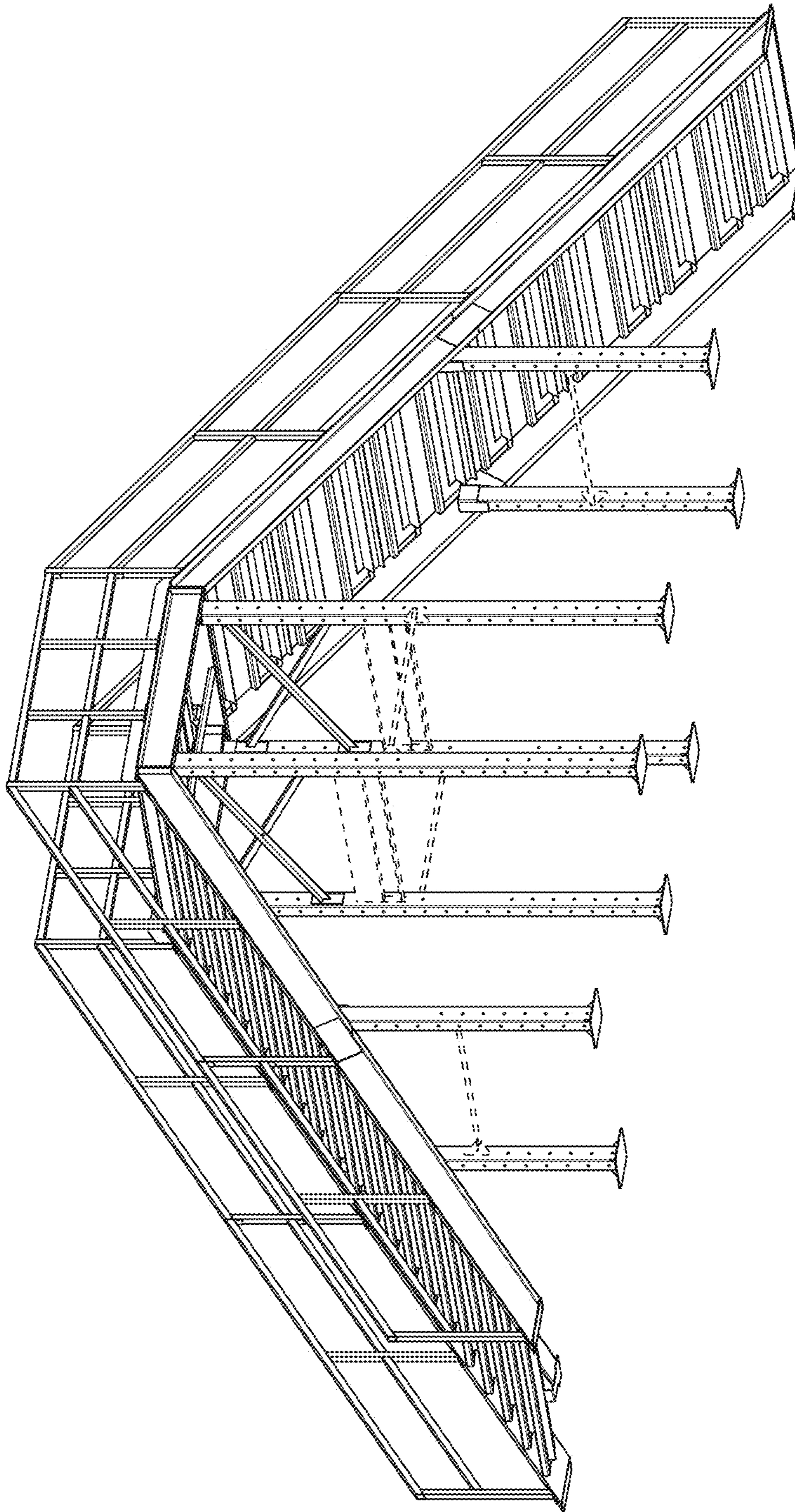


FIG. 3

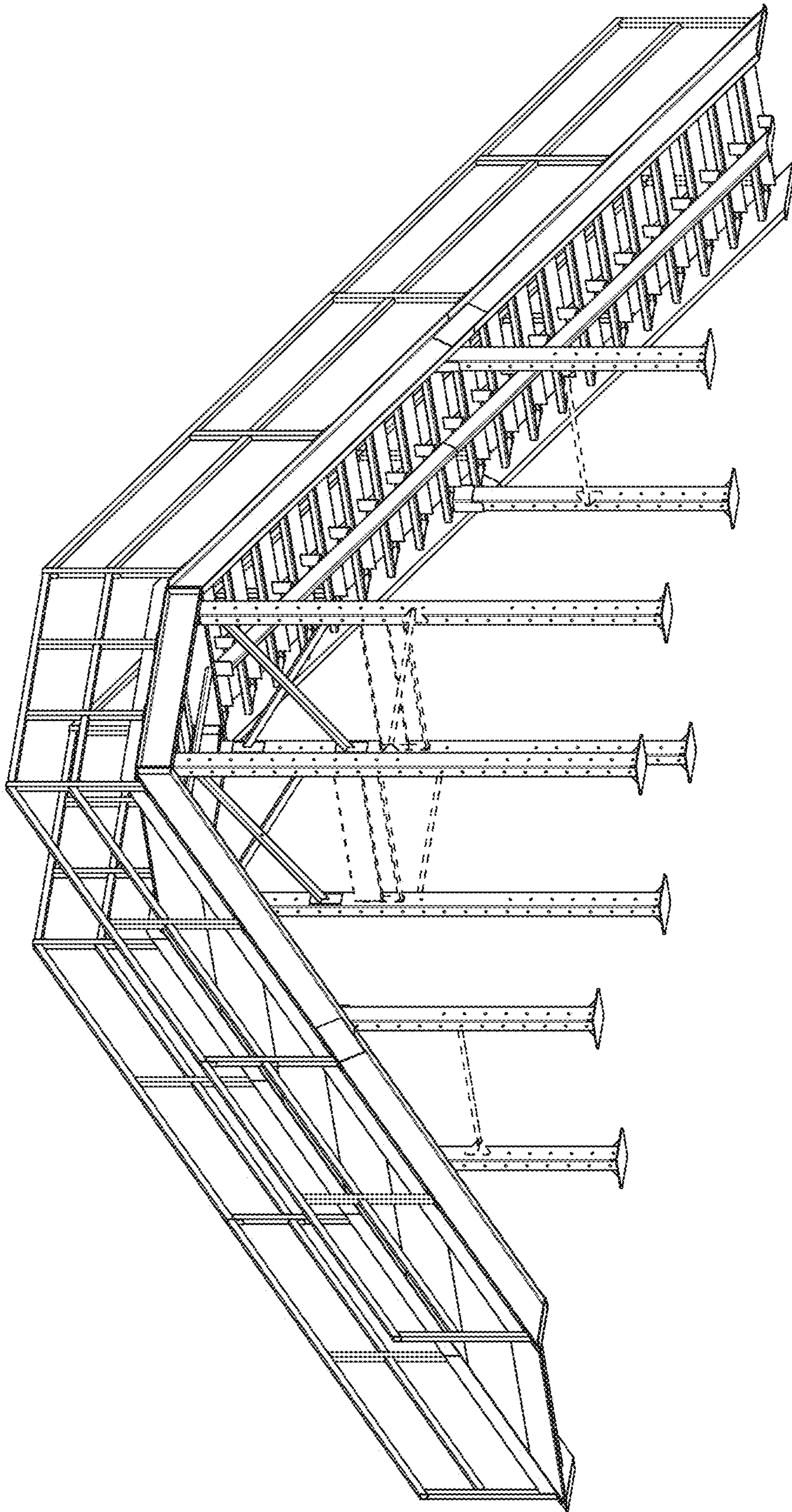


FIG. 4

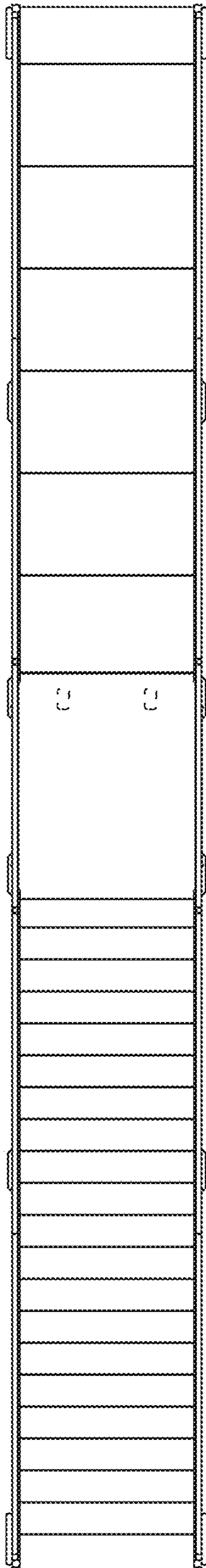


FIG. 5

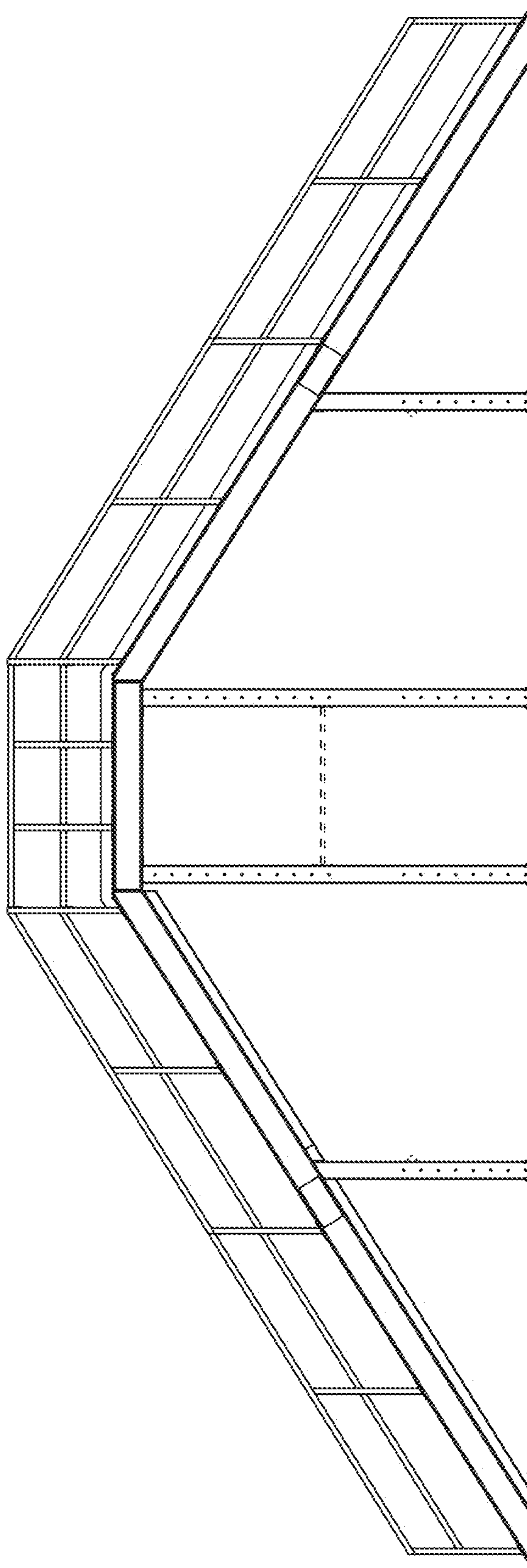


FIG. 6

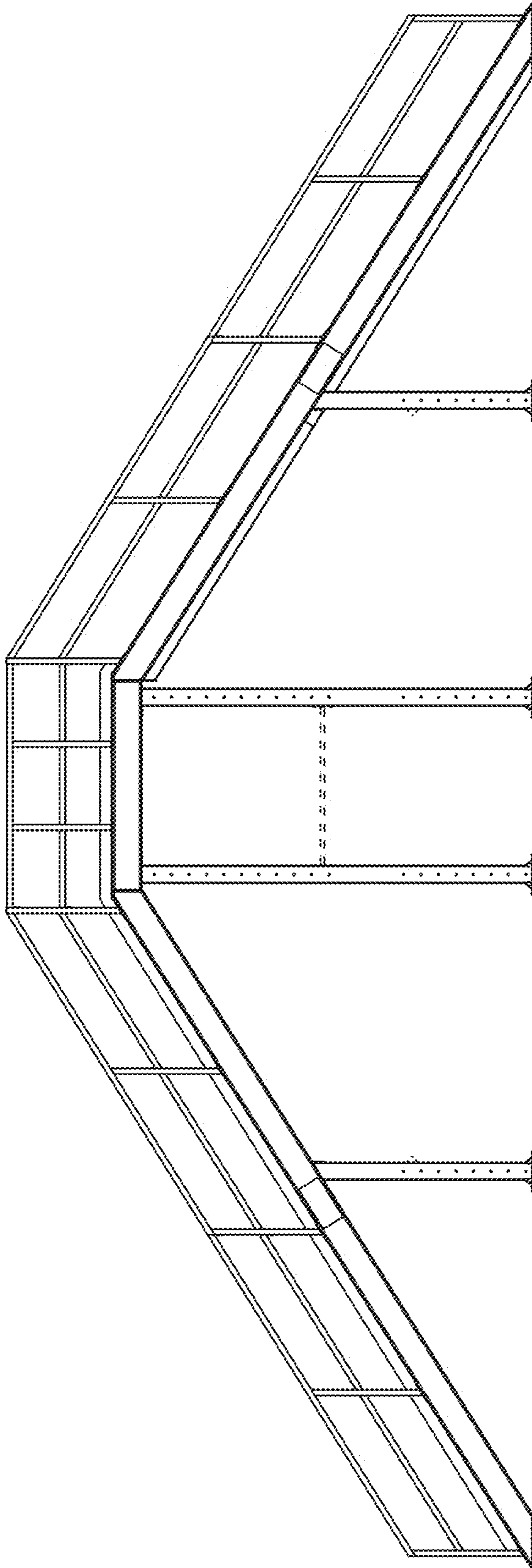


FIG. 7

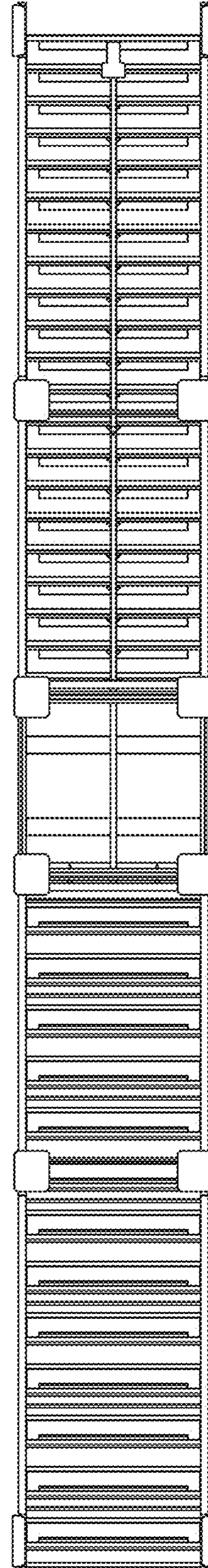


FIG. 8

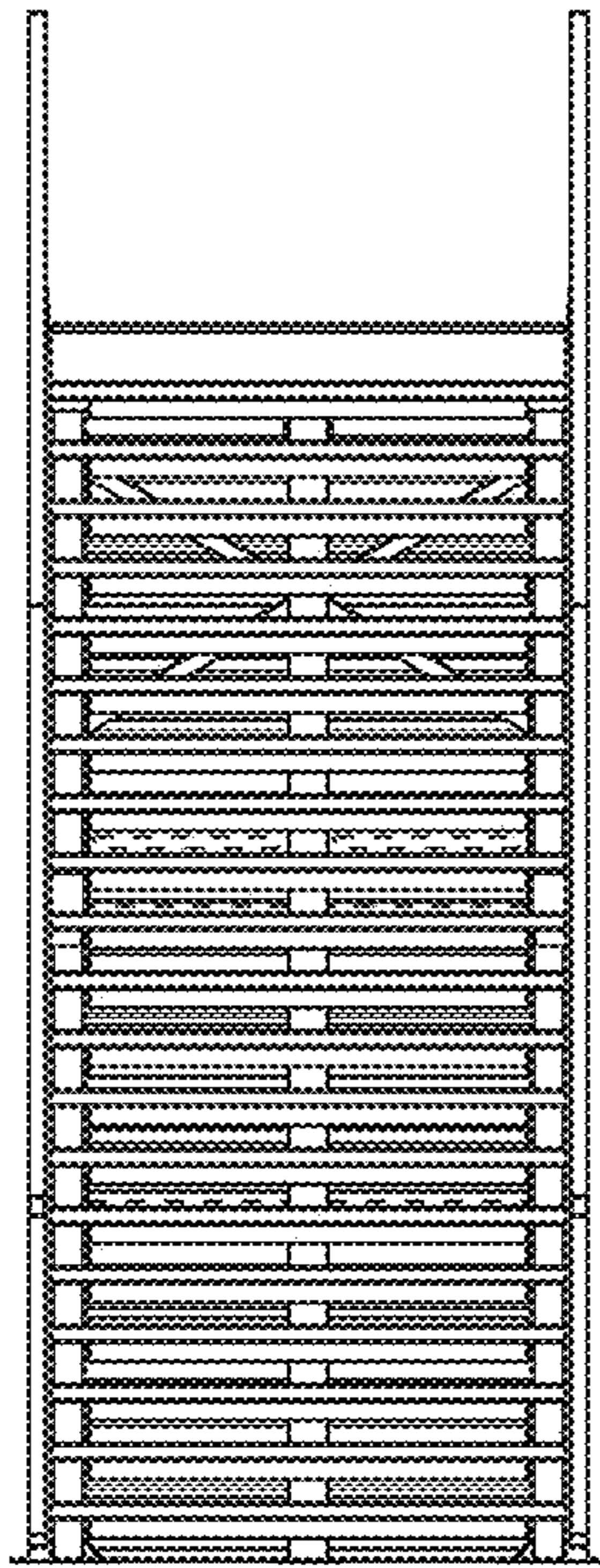


FIG. 9

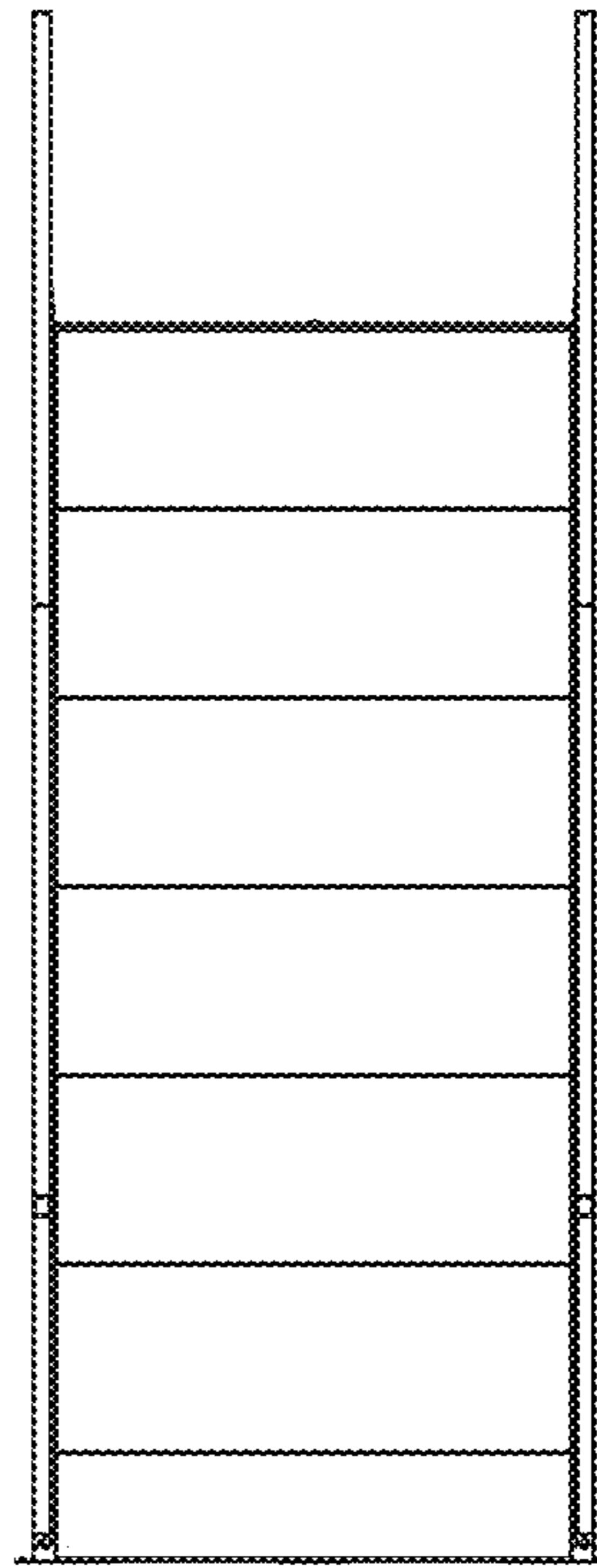


FIG. 10