



US00D890956S

(12) **United States Design Patent** (10) **Patent No.:** **US D890,956 S**
Schiefer et al. (45) **Date of Patent:** **** Jul. 21, 2020**

(54) **TRANSIT SHELTER**

(71) Applicant: **LANDSCAPE FORMS, INC.**,
Kalamazoo, MI (US)

(72) Inventors: **Sonja Schiefer**, München (DE); **Tobias Adami**, München (DE); **Maslow Evgueni**, München (DE); **Brian Revoir**, Vicksburg, MI (US); **Elizabeth Kooistra**, Kalamazoo, MI (US); **Don Lavender**, Hickory Corners, MI (US)

(73) Assignee: **LANDSCAPE FORMS, INC.**,
Kalamazoo, MI (US)

(**) Term: **15 Years**

(21) Appl. No.: **29/631,361**

(22) Filed: **Dec. 29, 2017**

(51) **LOC (12) Cl.** **25-02**

(52) **U.S. Cl.**
USPC **D25/61; D25/1; D25/127**

(58) **Field of Classification Search**
USPC D25/1-35, 55-61, 126-128; D21/837
CPC E04H 1/12-1244; E04H 1/00-06; E04H
6/025

See application file for complete search history.

(56) **References Cited**

U.S. PATENT DOCUMENTS

D327,130	S	*	6/1992	Belanger	D25/127
D393,082	S	*	3/1998	Pfeffer	D25/127
D425,998	S	*	5/2000	Ullrich	D25/35
D603,526	S	*	11/2009	Schwartz	D25/32
D740,960	S	*	10/2015	Indio da Costa	D25/1
D754,362	S	*	4/2016	Indio da Costa	D25/1

D844,829	S	*	4/2019	McCue	D25/22
D853,600	S	*	7/2019	Pauley	D25/127
2017/0159306	A1	*	6/2017	Maurus	E04H 1/1233
2018/0345809	A1	*	12/2018	Derrien	E04H 1/1211

OTHER PUBLICATIONS

Transit Shelter, designer: Designworks; manufacturer: Landscape Forms, Inc., printout available online on Dec. 26, 2017 at: <http://www.landscapeforms.com/en-US/product/Pages/Metro40-Connect-Transit-Shelter.aspx>, 3 pages.

* cited by examiner

Primary Examiner — Brett Miller

(74) *Attorney, Agent, or Firm* — Heslin Rothenberg Farley & Mesiti P.C.

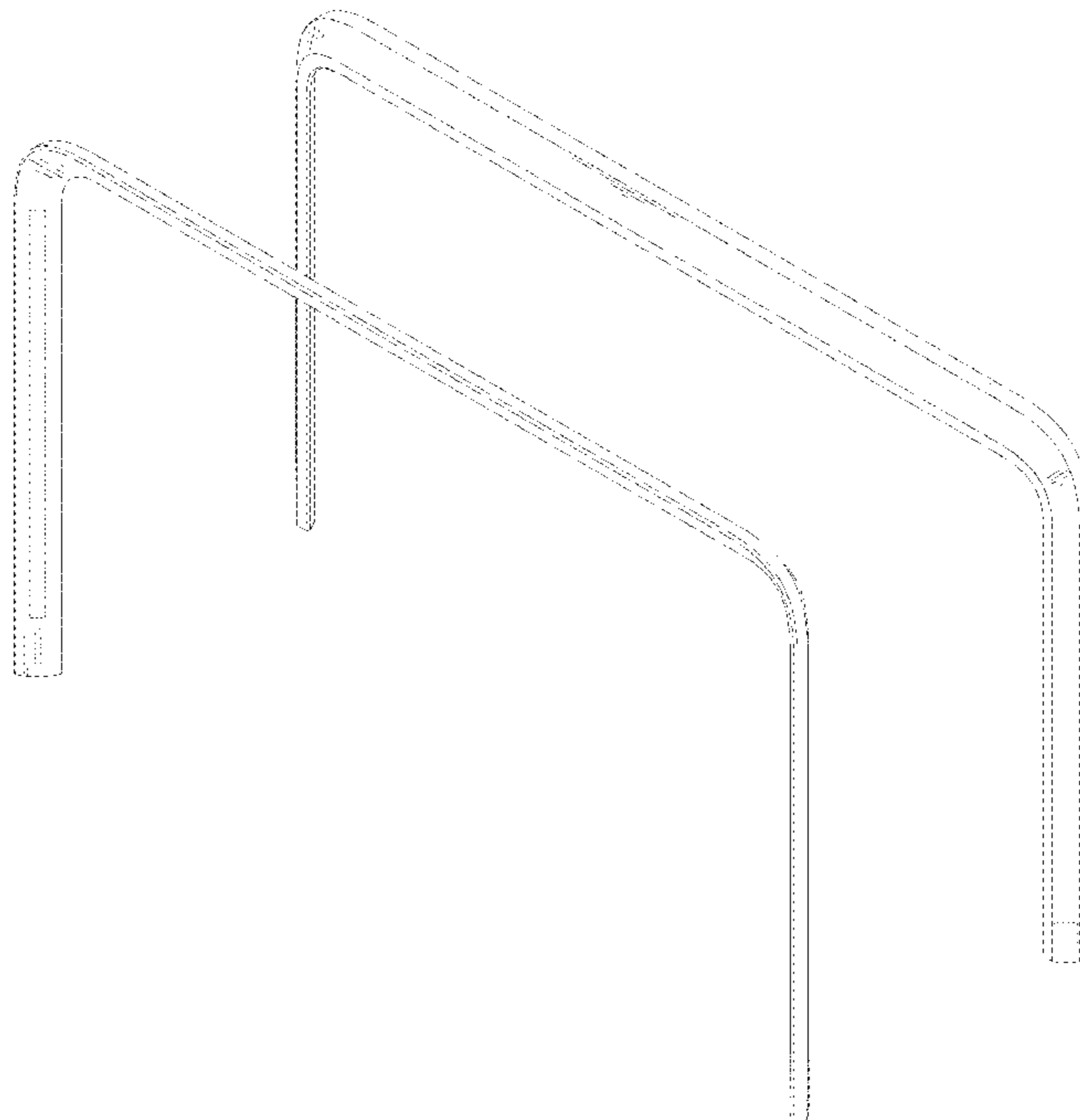
(57) **CLAIM**

The ornamental design for a transit shelter, as shown and described.

DESCRIPTION

FIG. 1 is a perspective view of the transit shelter of the present design;
FIG. 2 is a front elevation view thereof;
FIG. 3 is a rear elevation view thereof;
FIG. 4 is a top plan view thereof;
FIG. 5 is a right side elevation view thereof, the left side elevation view being a mirror image thereof; and,
FIG. 6 is a perspective view of the transit shelter of FIGS. 1-5 with wall and roof structures incorporated therewith.
The broken lines in the FIGS. 1-6 depict portions of the transit shelter that form no part of the claimed design, and the additional broken line subject matter in FIG. 6 depicts environment that form no part of the claimed design.

1 Claim, 6 Drawing Sheets



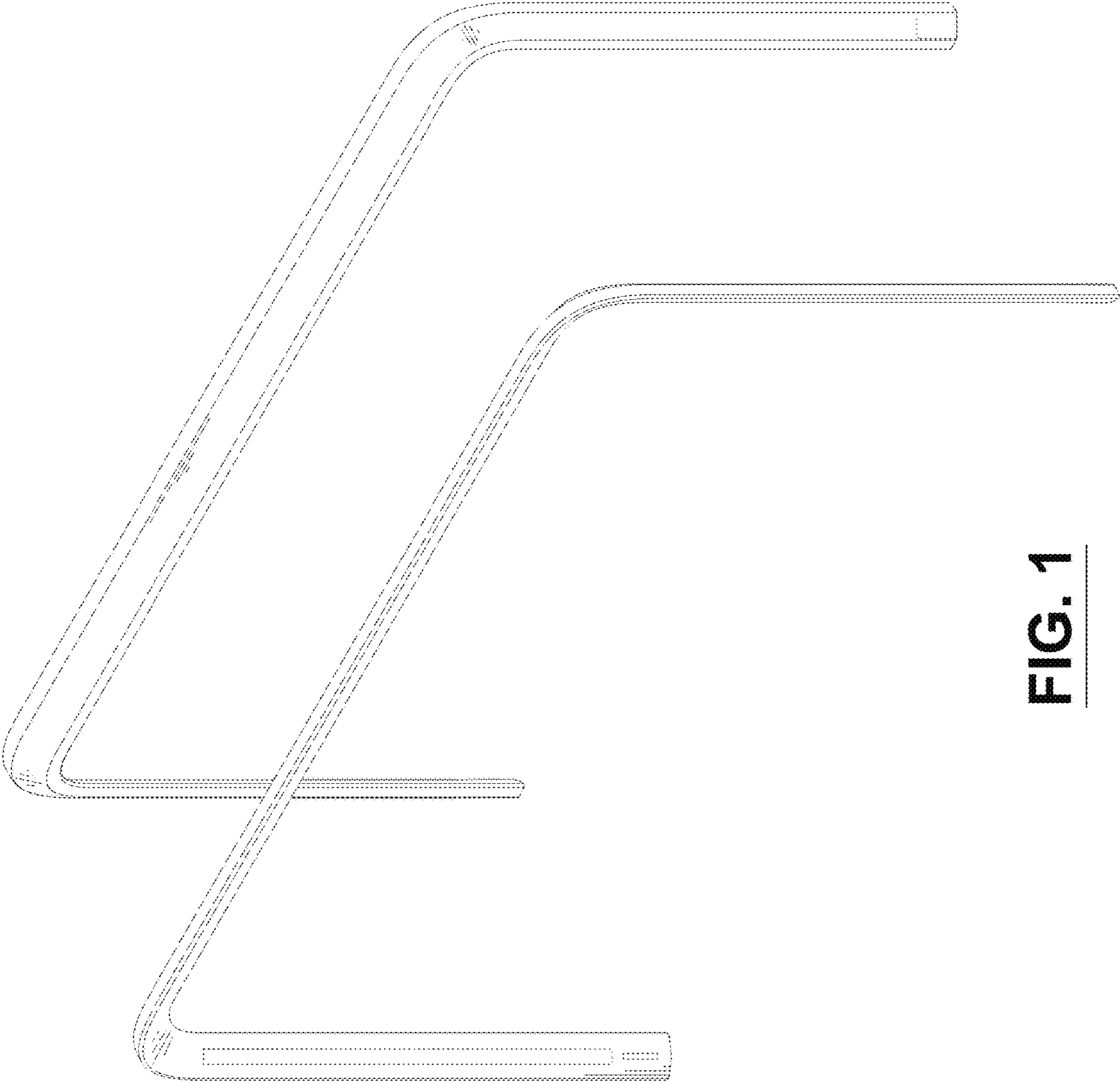


FIG. 1

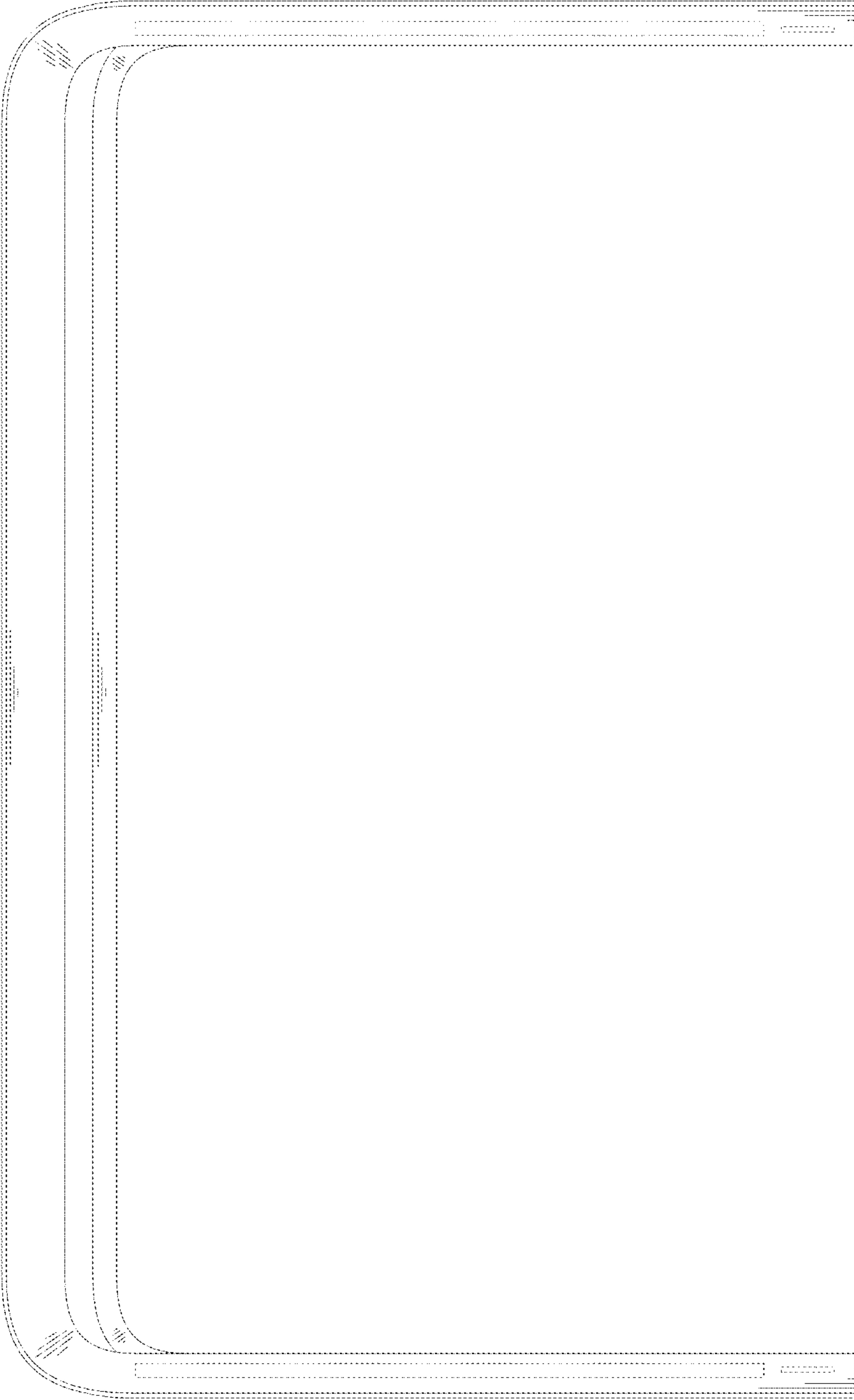


FIG. 2



FIG. 3

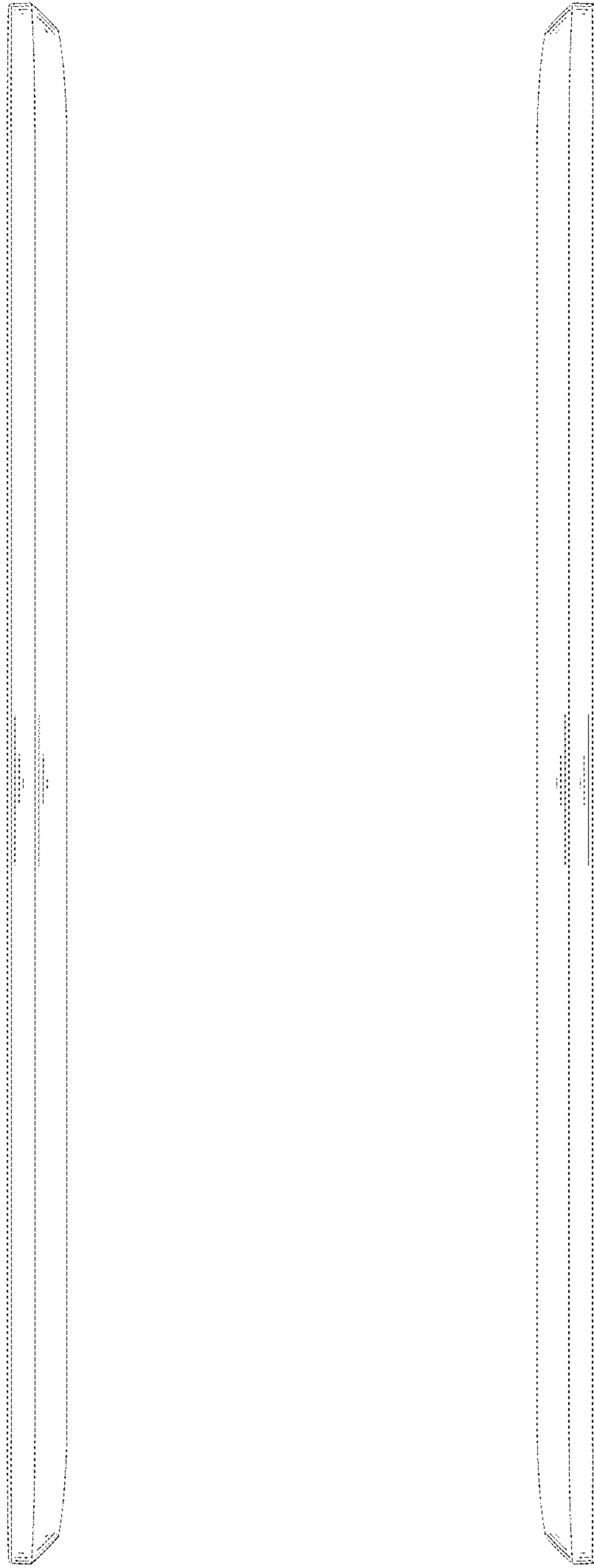


FIG. 4

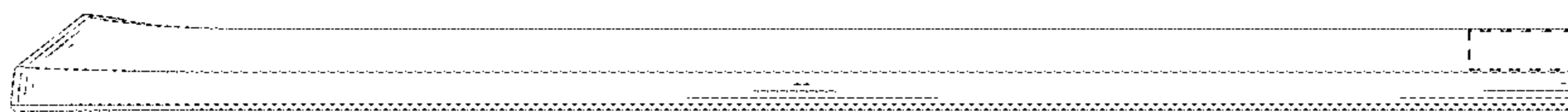
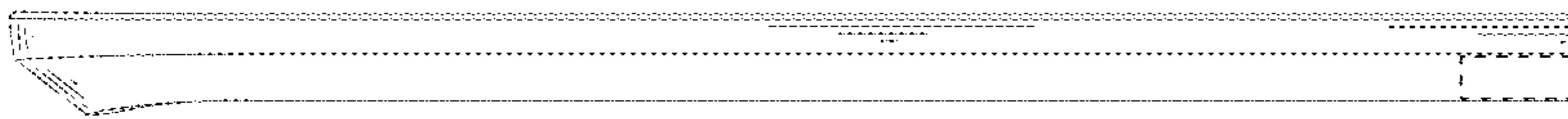


FIG. 5

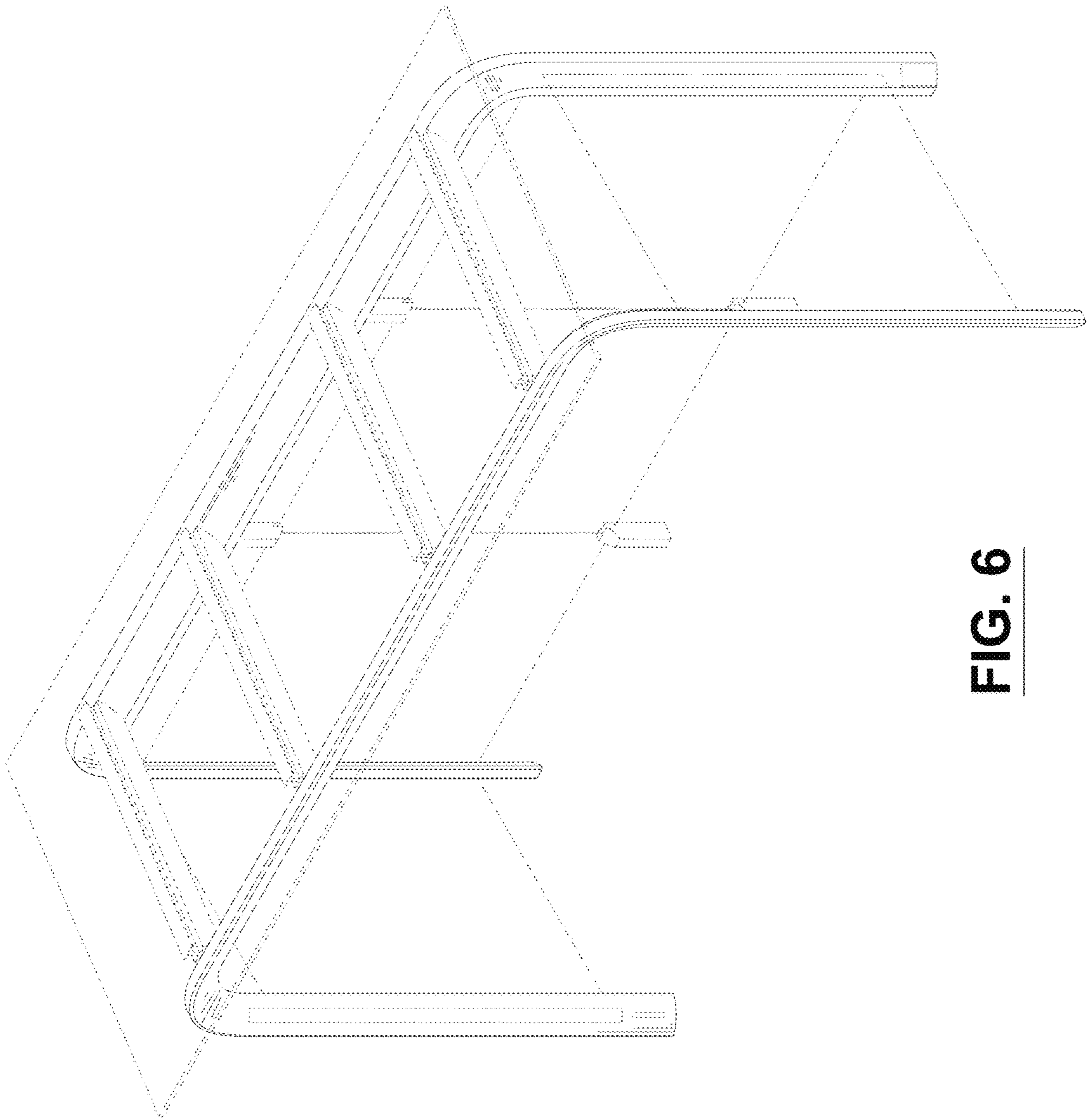


FIG. 6