



US00D890953S

(12) **United States Design Patent** (10) **Patent No.:** **US D890,953 S**  
**McCarthy et al.** (45) **Date of Patent:** **\*\* Jul. 21, 2020**

(54) **FENCE**

(71) Applicant: **Vision Extrusions Limited**,  
Woodbridge (CA)  
(72) Inventors: **Peter McCarthy**, Woodbridge (CA);  
**Vic DeZen**, Woodbridge (CA); **Rolf J.**  
**Ohrstrom**, Richmond Hill (CA)  
(73) Assignee: **Vision Extrusions Ltd.**, Woodbridge,  
Ontario (CA)

(\*\*) Term: **15 Years**

(21) Appl. No.: **29/721,431**

(22) Filed: **Jan. 21, 2020**

**Related U.S. Application Data**

(60) Continuation of application No. 29/699,835, filed on  
Jul. 29, 2019, now Pat. No. Des. 873,439, which is a  
continuation of application No. 29/650,566, filed on  
Jun. 7, 2018, now Pat. No. Des. 858,798, which is a  
continuation of application No. 14/990,552, filed on  
Jan. 7, 2016, which is a division of application No.  
13/968,485, filed on Aug. 16, 2013, now abandoned,  
which is a division of application No. 12/581,998,  
filed on Oct. 20, 2009, now Pat. No. 8,511,648.

(30) **Foreign Application Priority Data**

Jun. 18, 2009 (CA) ..... 2669440

(51) **LOC (12) Cl.** ..... **25-02**

(52) **U.S. Cl.**  
USPC ..... **D25/38.1**

(58) **Field of Classification Search**  
USPC ..... D25/38.1, 39, 42, 43, 44, 100  
CPC ..... E04H 17/143; E04H 17/1404; E04H  
17/1421; E04H 17/1439; E04H 17/1443;  
E04H 17/16; E04H 17/20; E04F 11/1812;  
E04F 11/1834; E04B 7/18

See application file for complete search history.

(56) **References Cited**

U.S. PATENT DOCUMENTS

753,791 A 3/1904 Fulghum  
1,114,486 A 10/1914 Kimball  
2,218,953 A 10/1940 Gustafson  
2,218,954 A 10/1940 Gustafson  
2,608,386 A 8/1952 Hart  
3,083,951 A 4/1963 Huret

(Continued)

FOREIGN PATENT DOCUMENTS

CA 1318164 C 5/1993  
CA 2157325 A1 3/1997

(Continued)

OTHER PUBLICATIONS

Manchester Concave Style of Vinyl Fence Hoover Fence <http://vinyl.hooverfence.com/classic/manchester-concave.htm> Available Dec.  
10, 2002 (Year: 2002).\*

(Continued)

*Primary Examiner* — Leanne Was-Englehart  
(74) *Attorney, Agent, or Firm* — Quarles & Brady LLP

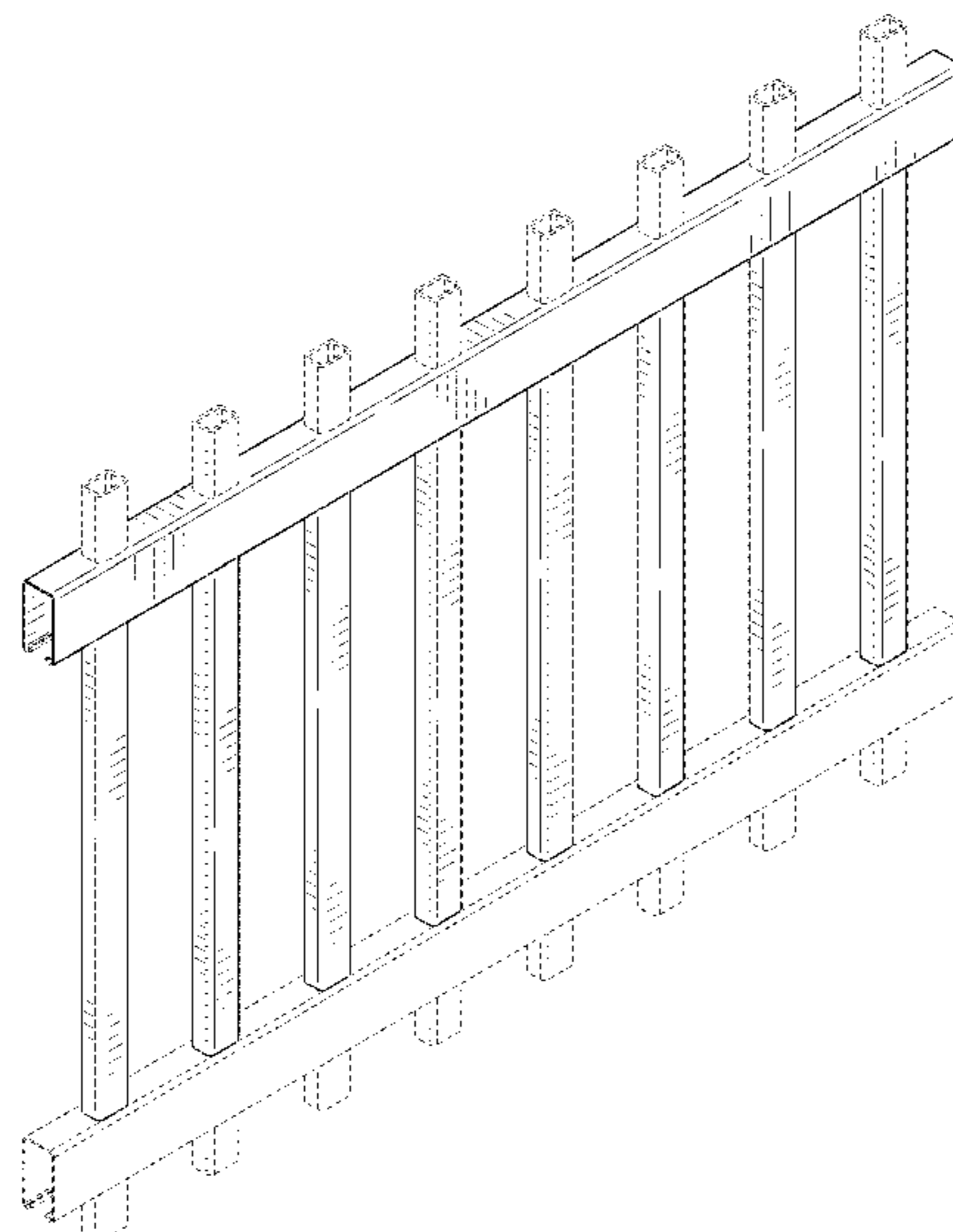
(57) **CLAIM**

The ornamental design for a fence, as shown and described.

**DESCRIPTION**

The sole FIGURE is a perspective view of a front, top, and  
left side of a fence, the perspective view of the rear, top, and  
left side being identical thereto.  
The broken lines are included for the purpose of illustrating  
portions that form no part of the claimed design.

**1 Claim, 1 Drawing Sheet**





(56)

References Cited

U.S. PATENT DOCUMENTS

2002/0056251 A1 5/2002 Venegas, Jr.  
 2002/0109132 A1 8/2002 Tsao  
 2003/0041545 A1 3/2003 Stanchfield  
 2003/0196395 A1 10/2003 Forbis et al.  
 2004/0009338 A1 1/2004 Jo et al.  
 2004/0018666 A1 1/2004 Lee et al.  
 2004/0026679 A1 2/2004 Terrels et al.  
 2004/0051092 A1 3/2004 Curatolo  
 2004/0188663 A1\* 9/2004 Stein ..... E04H 17/1439  
 256/59  
 2004/0188666 A1 9/2004 Pratt  
 2005/0075423 A1 4/2005 Riebel et al.  
 2005/0199866 A1 9/2005 Green  
 2005/0242336 A1 11/2005 Giacchino  
 2006/0001015 A1 1/2006 Forbis et al.  
 2006/0202186 A1 9/2006 Rowley et al.  
 2006/0273295 A1 12/2006 Maly et al.  
 2007/0062146 A1 3/2007 Van Dijk et al.  
 2007/0158630 A1 7/2007 Lo  
 2007/0170410 A1 7/2007 Devine  
 2007/0181865 A1 8/2007 Hein  
 2007/0181866 A1 8/2007 Strong  
 2008/0023684 A1 1/2008 Diamond et al.  
 2008/0217598 A1 9/2008 Dombroski  
 2008/0265232 A1 10/2008 Terrels et al.  
 2008/0299351 A1 12/2008 Buchholtz et al.  
 2009/0065755 A1 3/2009 Sherstad  
 2009/0065756 A1 3/2009 McGinness et al.  
 2009/0226246 A1 9/2009 Piper et al.  
 2010/0096608 A1\* 4/2010 McCarthy ..... E04H 17/168  
 256/19  
 2010/0155683 A1 6/2010 Payne et al.  
 2010/0237308 A1 9/2010 Lo  
 2011/0001104 A1 1/2011 Rowley et al.  
 2011/0073824 A1 3/2011 Lappin et al.  
 2011/0155982 A1 6/2011 Duffy et al.  
 2012/0090140 A1 4/2012 Montemayor et al.  
 2013/0264532 A1\* 10/2013 Goodman ..... E04H 17/1439  
 256/65.08

2013/0328001 A1 12/2013 McCarthy et al.  
 2016/0194897 A1 7/2016 McCarthy et al.  
 2018/0320404 A1\* 11/2018 Hellenbrand ..... E04H 17/1439  
 2019/0145123 A1\* 5/2019 Lo ..... E04H 17/1439  
 256/67  
 2019/0211579 A1\* 7/2019 Burt ..... E04H 17/1426

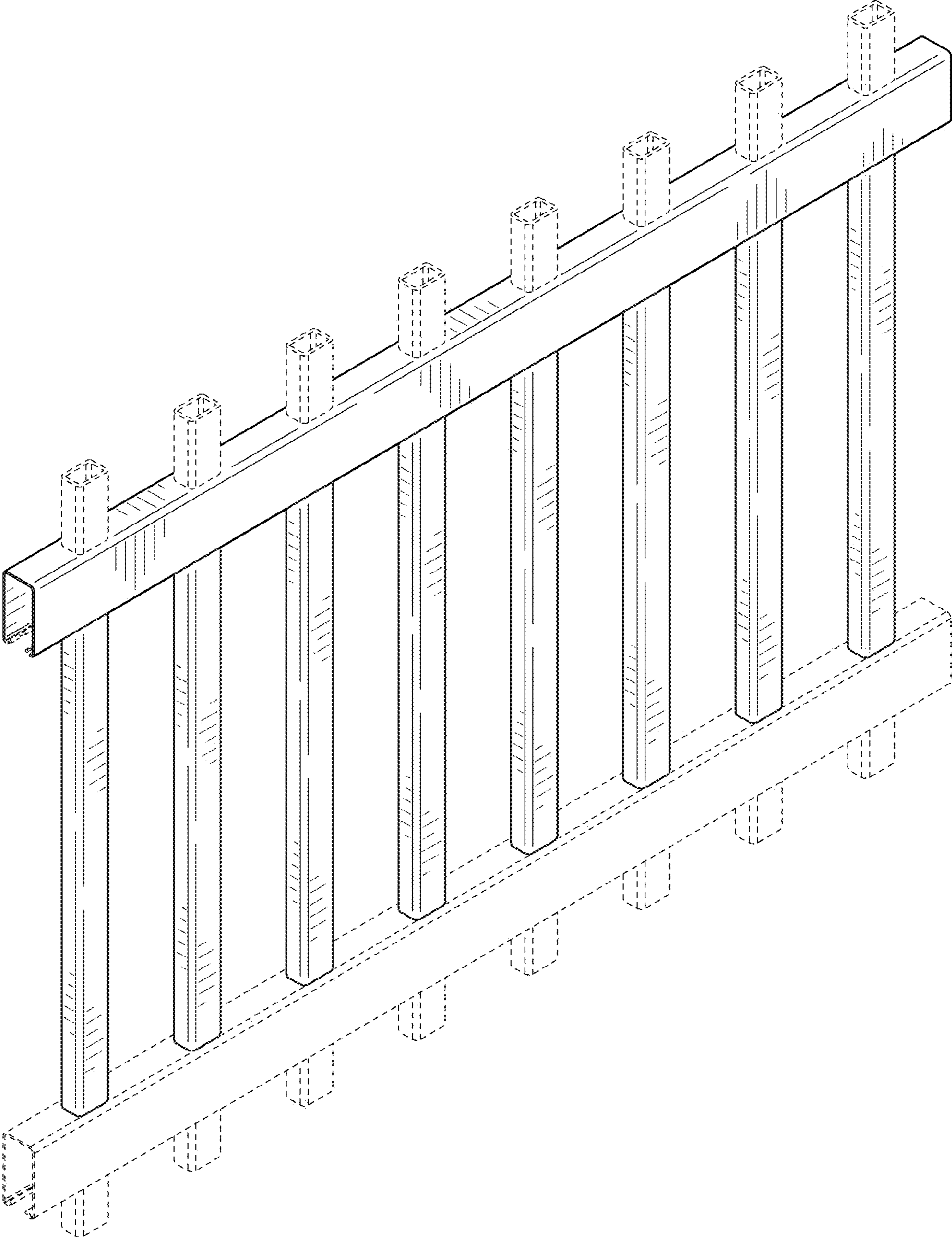
FOREIGN PATENT DOCUMENTS

CA 2298963 A1 8/2001  
 CA 2157155 C 11/2001  
 CA 2349963 A1 12/2001  
 CA 2362250 A1 5/2002  
 CA 2340600 A1 9/2002  
 CA 2363976 A1 5/2003  
 CA 2624235 A1 9/2009  
 CA 2653263 A1 9/2009  
 CA 2683274 A1 4/2010  
 DE 7707911 U1 7/1977  
 EP 0754600 A1 1/1997  
 FR 802548-001 \* 2/1981  
 FR 2814529 A1 3/2002  
 IL 17085 11/1992  
 JP H09195476 A 7/1997  
 KR 300508727.0000 \* 10/2008

OTHER PUBLICATIONS

English Language Translation of DE 1684649, A1, Mar. 15, 1966, Applicant: ECE Patent AB, 4 pages.  
 Fences Columbus Ohio, <https://fencescolumbusohio.com/fences-powell-ohio/#prettyPhoto/5/>, Jan. 2014, 1 page.  
 Rothbury Style of Vinyl Fence, <http://vinyl.hooverfence.com/traditional/rothbury.htm>, 2005, 1 page.  
 Vinyl Fence Danbury and Danbury Concave Vinyl Fence, [http://www.discountfence.com/vinyl\\_fence/danbury.html](http://www.discountfence.com/vinyl_fence/danbury.html), Aug. 20, 2009, 5 pages.  
 PicketLock, <https://www.homedepot.com/p/Glendale-4-ft-H-x-8-ft-W-White-Vinyl-Spacer-Picket-Unassembled-Fence-Panel-with-Dog-Ear-Pickets-152811/203464358>, Oct. 17, 2012, 1 page.

\* cited by examiner



UNITED STATES PATENT AND TRADEMARK OFFICE  
**CERTIFICATE OF CORRECTION**

PATENT NO. : D890,953 S  
APPLICATION NO. : 29/721431  
DATED : July 21, 2020  
INVENTOR(S) : Peter McCarthy et al.

Page 1 of 1

It is certified that error appears in the above-identified patent and that said Letters Patent is hereby corrected as shown below:

On the Title Page

Item (73) Assignee:, "Extrusions" should be --Extrusions--.

Signed and Sealed this  
Twenty-ninth Day of June, 2021



Drew Hirshfeld  
*Performing the Functions and Duties of the  
Under Secretary of Commerce for Intellectual Property and  
Director of the United States Patent and Trademark Office*