



US00D890951S

(12) **United States Design Patent** (10) **Patent No.:** **US D890,951 S**
Brennan et al. (45) **Date of Patent:** **** Jul. 21, 2020**

(54) **TRAY FOR INJECTABLE MEDICAMENTS**
(71) Applicant: **ConnieTray LLC**, Brooklyn Park, MN (US)
(72) Inventors: **Connie Brennan**, Orono, MN (US); **Reilly M. Dillon**, Golden Valley, MN (US)
(73) Assignee: **ConnieTray LLC**, Brooklyn Park, MN (US)

4,863,451 A 9/1989 Marder
4,961,500 A 10/1990 Coulombe
D438,632 S * 3/2001 Miller D24/216
D440,118 S * 4/2001 Claffy D7/553.1
7,048,120 B2 5/2006 Pond
D533,669 S * 12/2006 Haunschild D24/217

(Continued)

FOREIGN PATENT DOCUMENTS

JP D2017-3355 * 2/2017

OTHER PUBLICATIONS

Regional anesthesia trays. Online, published date unknown. Retrieved on Dec. 13, 2019 from URL: <https://www.bd.com/en-us/offering/capabilities/anesthesia-delivery/regional-anesthesia-trays>.*

Primary Examiner — Susan Bennett Hattan
Assistant Examiner — Omeed Agilee
(74) *Attorney, Agent, or Firm* — Christensen, Fonder, Dardi & Herbert PLLC

(**) Term: **15 Years**
(21) Appl. No.: **29/666,461**
(22) Filed: **Oct. 12, 2018**
(51) **LOC (12) Cl.** **24-02**
(52) **U.S. Cl.**
USPC **D24/227**
(58) **Field of Classification Search**
USPC D24/127, 128, 185, 216–232; D7/500, D7/550.1, 553.1, 553.2, 553.4, 553.5, D7/553.8, 554.3; D3/203.3, 283, 304; D9/456
CPC A61B 50/36; A61B 2050/3011
See application file for complete search history.

(57) **CLAIM**

We claim the ornamental design for a tray for injectable medicaments, as shown and described.

DESCRIPTION

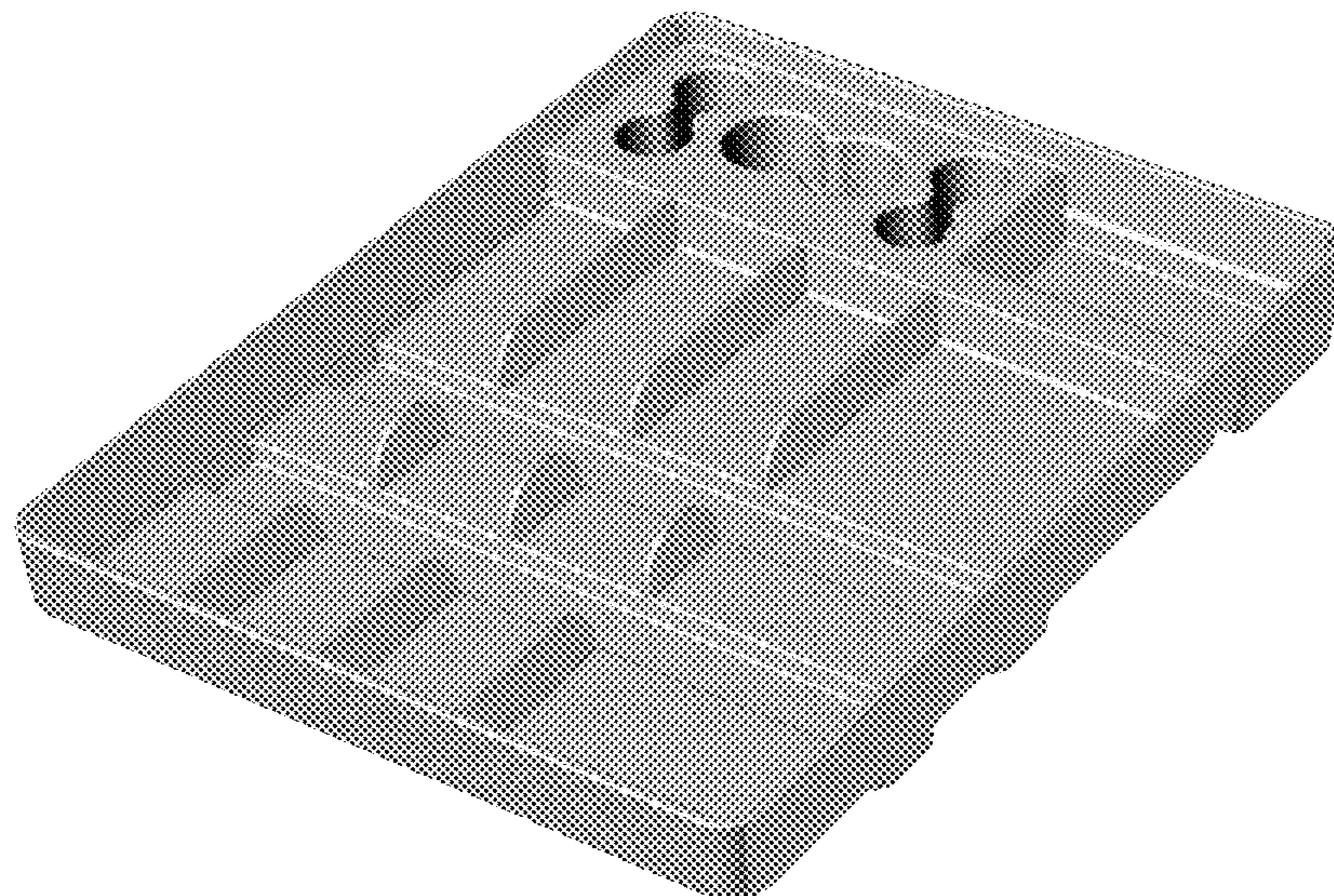
FIG. 1 is a top corner perspective view of a tray for injectable medicaments of the new design.
FIG. 2 is a top corner perspective view opposite the view of FIG. 1.
FIG. 3 is front perspective view of the new design.
FIG. 4 is a rear perspective view of the new design.
FIG. 5 is a bottom side perspective view of the new design.
FIG. 6 is another bottom side perspective view of the new design.
FIG. 7 is a back perspective view of the new design.
FIG. 8 is a top perspective view of the new design; and, FIG. 9 is a bottom perspective view of the new design.

1 Claim, 9 Drawing Sheets

(56) **References Cited**

U.S. PATENT DOCUMENTS

2,659,485 A 11/1953 Duley et al.
D195,391 S * 6/1963 Parkison D24/230
3,647,104 A * 3/1972 Goings B65D 1/36
220/556
D237,317 S * 10/1975 Nowakowski D24/229
D242,654 S * 12/1976 Rawls D24/229
4,011,944 A 3/1977 Cooley et al.
D252,106 S * 6/1979 Baxter D24/226
4,195,734 A 4/1980 Boner et al.
D268,130 S * 3/1983 Easton D24/230
D280,663 S * 9/1985 Albon D24/226
4,595,102 A 6/1986 Cianci et al.
4,657,138 A 4/1987 Watson



(56)

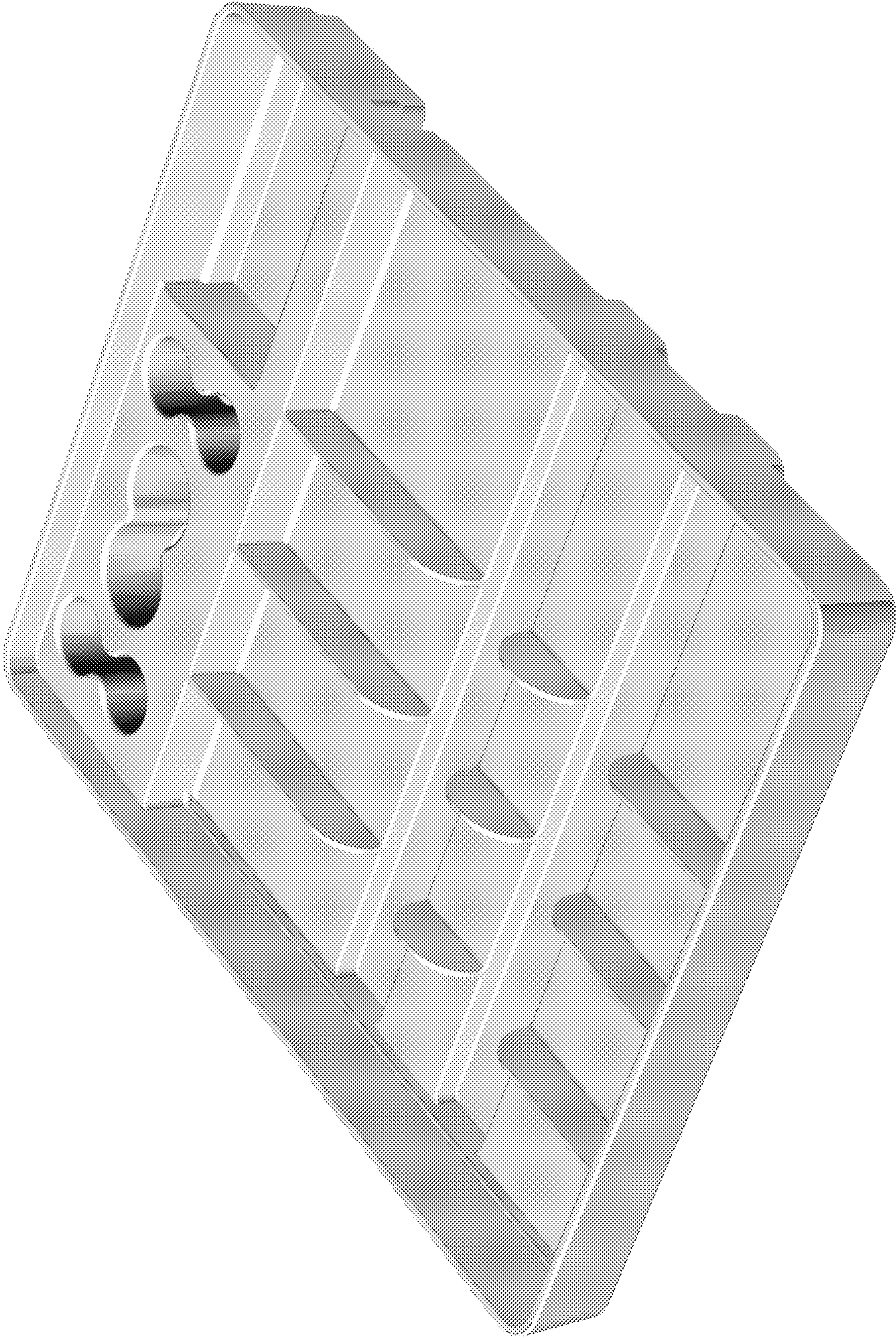
References Cited

U.S. PATENT DOCUMENTS

D605,896 S * 12/2009 Zalewski D7/553.1
7,993,326 B2 8/2011 Massengale et al.
D660,085 S * 5/2012 Boone D7/553.2
D742,028 S * 10/2015 Hutchison D24/227
D767,163 S * 9/2016 Schimmel D24/226
D779,082 S * 2/2017 Andre D24/229
D795,655 S * 8/2017 Hsu D7/637
D800,337 S * 10/2017 Daines D24/227
9,889,248 B2 2/2018 Head et al.
D845,472 S * 4/2019 Evans D24/128
D846,144 S * 4/2019 Fawdington D24/224
2016/0015456 A1 1/2016 Lober
2016/0136352 A1 5/2016 Smith et al.
2017/0367780 A1 12/2017 Van Der Raad-Meijer et al.

* cited by examiner

FIG. 1



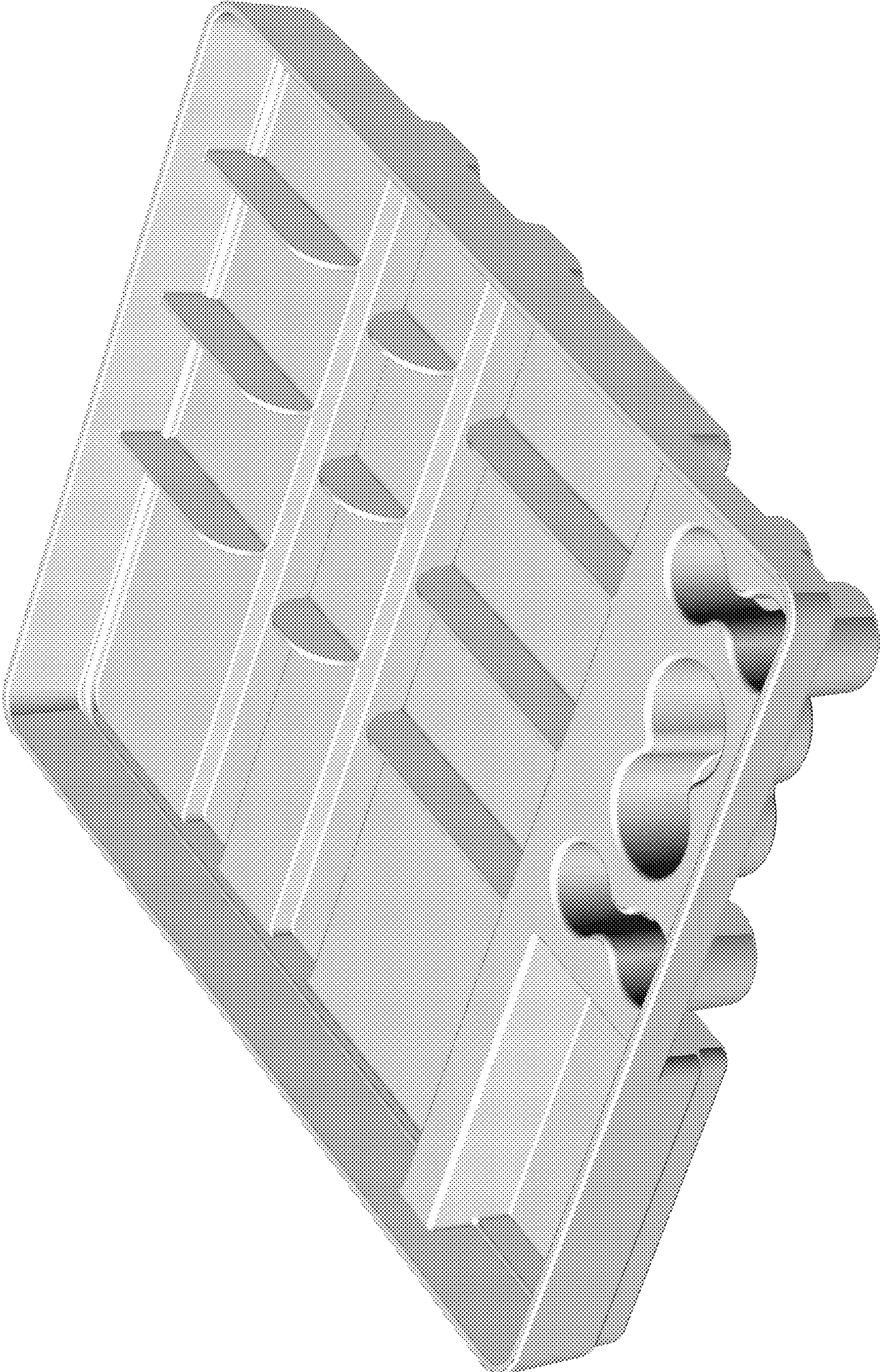


FIG. 2

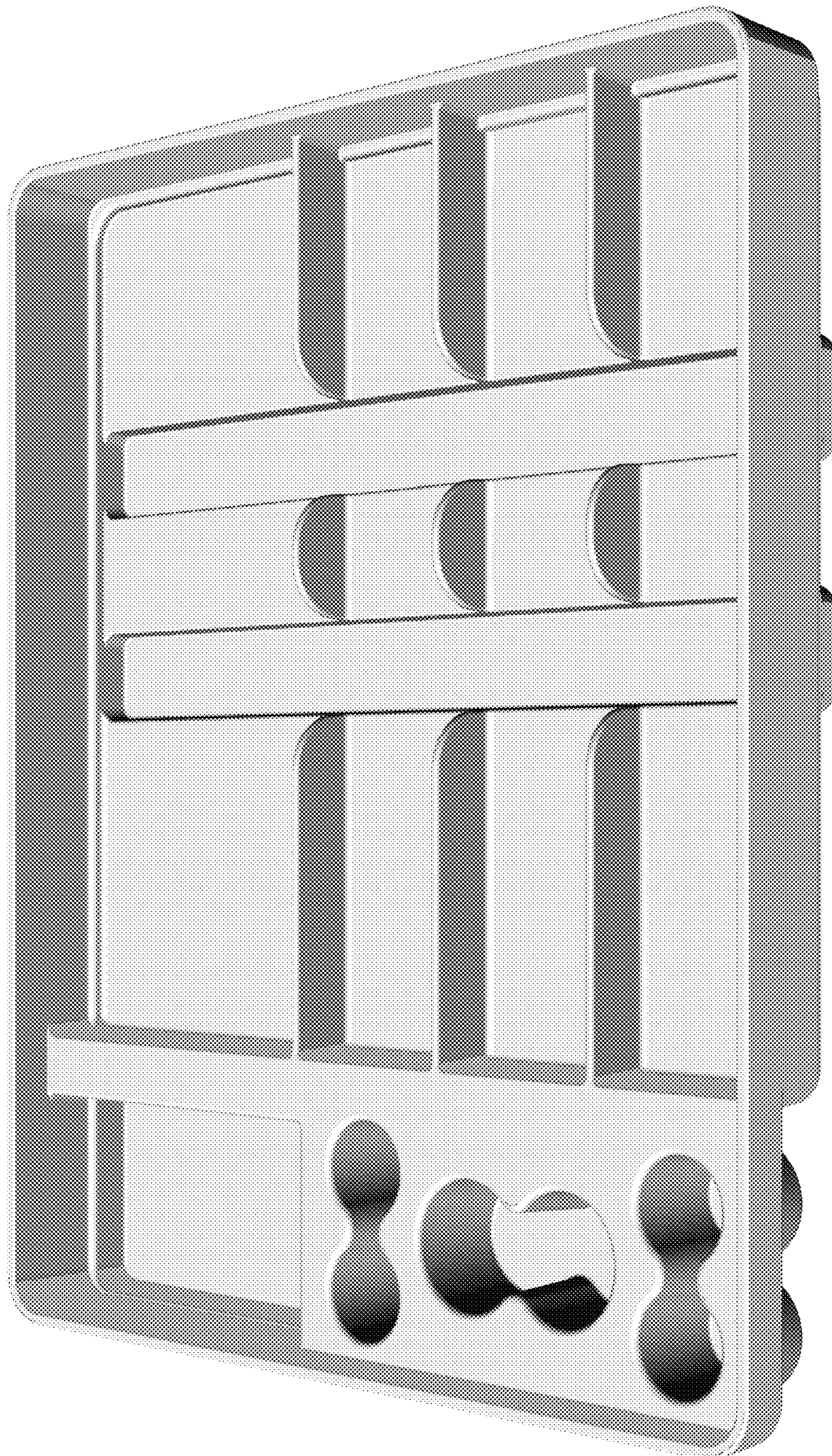


FIG. 3

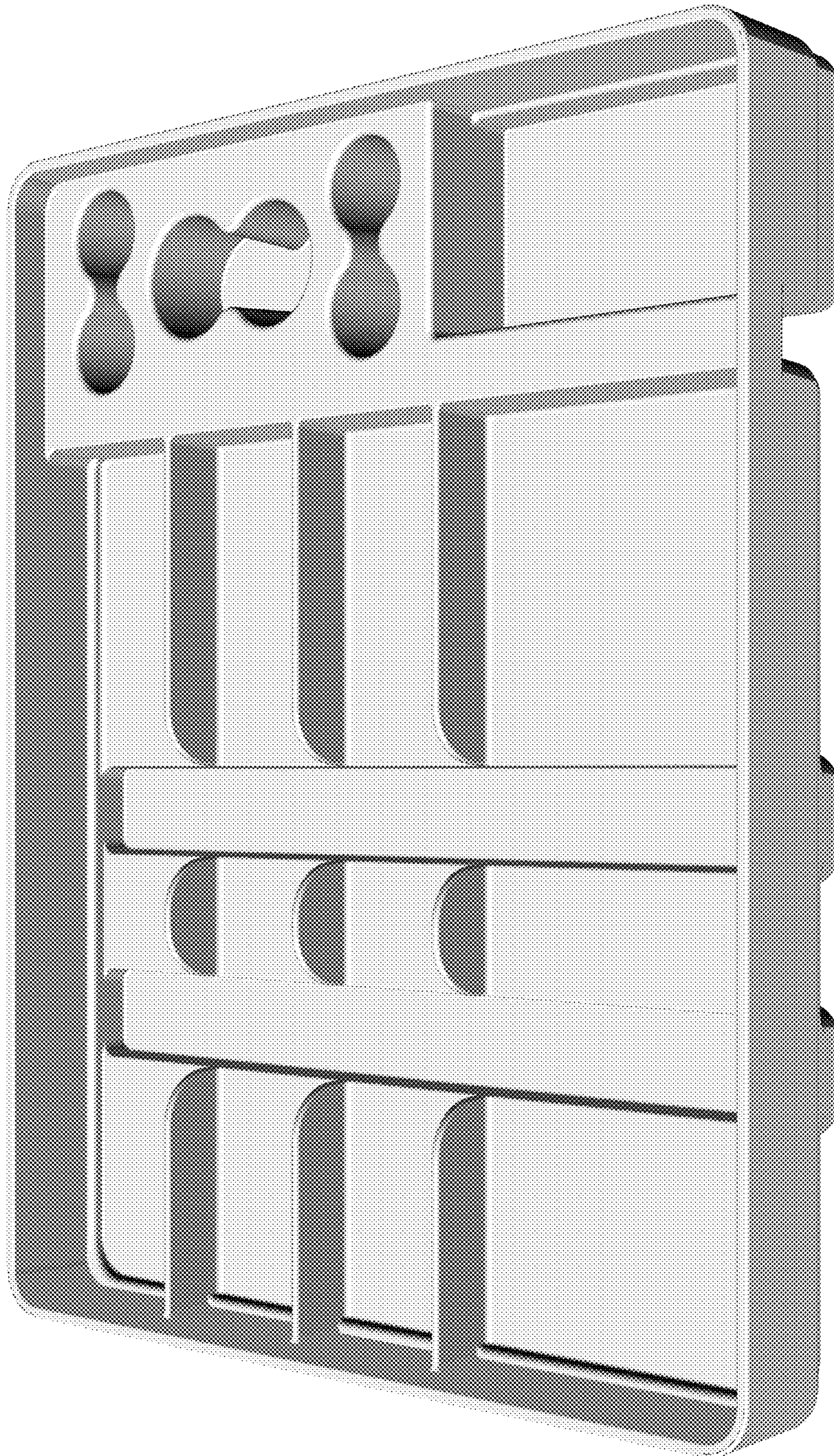


FIG. 4

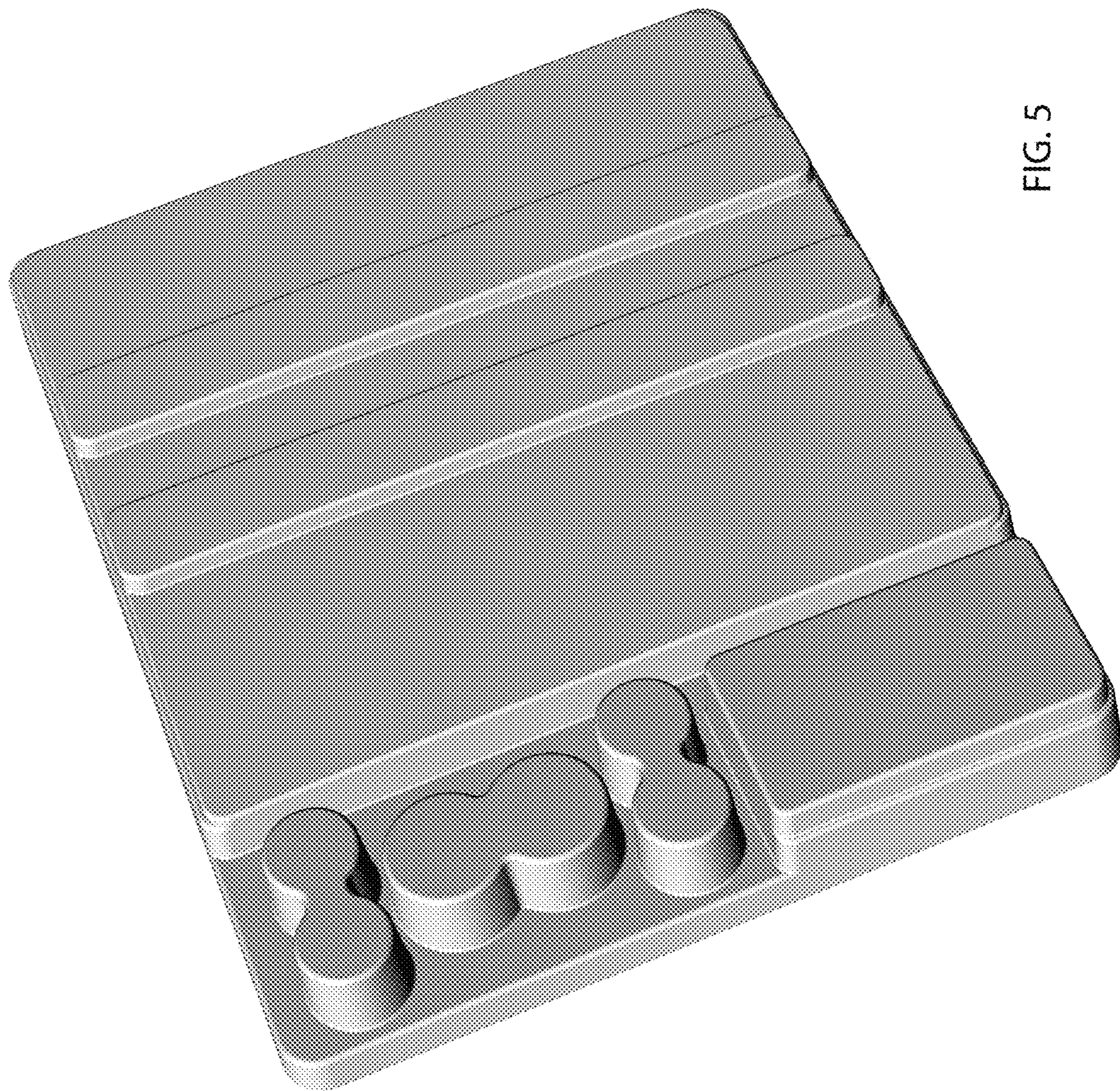


FIG. 5

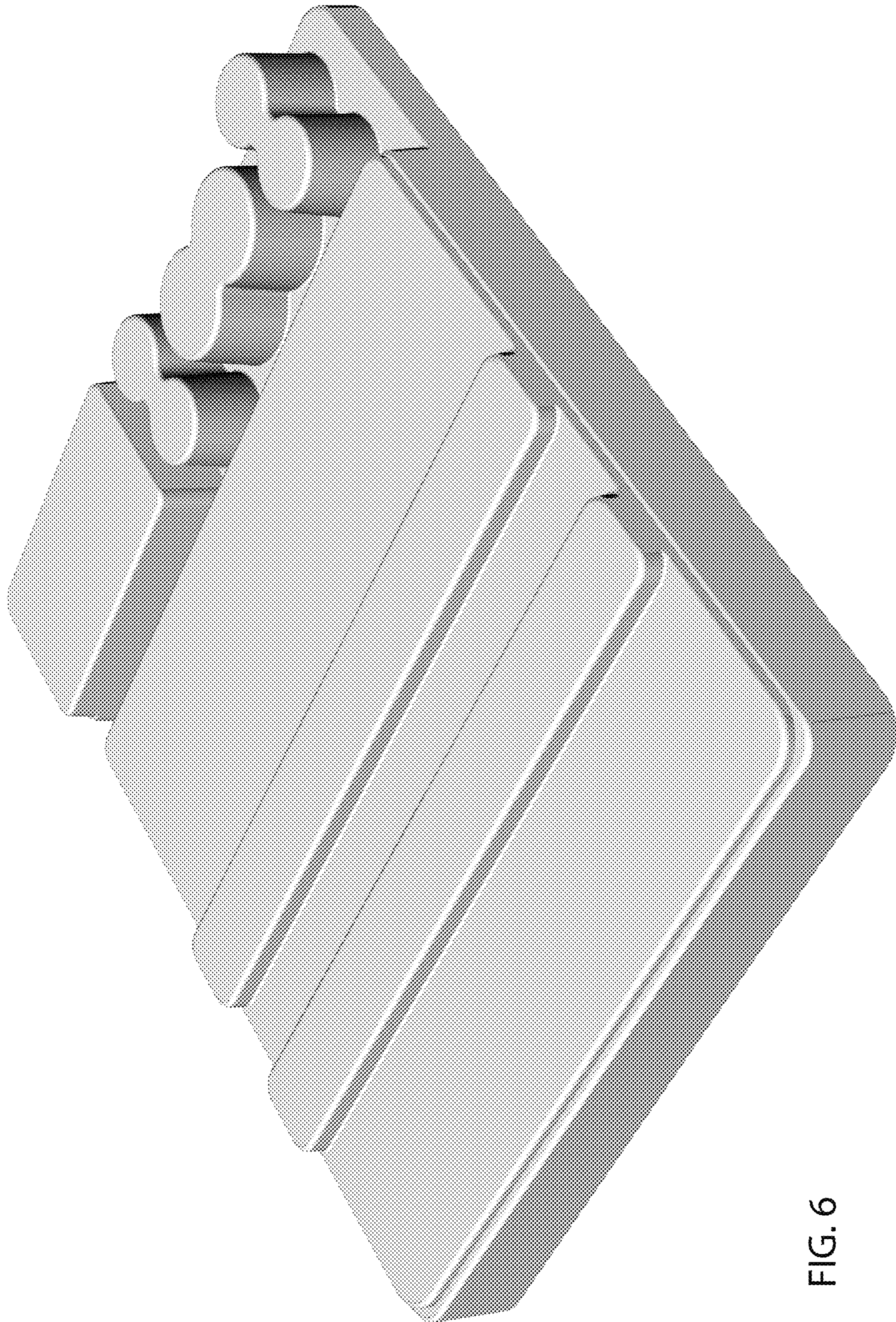


FIG. 6

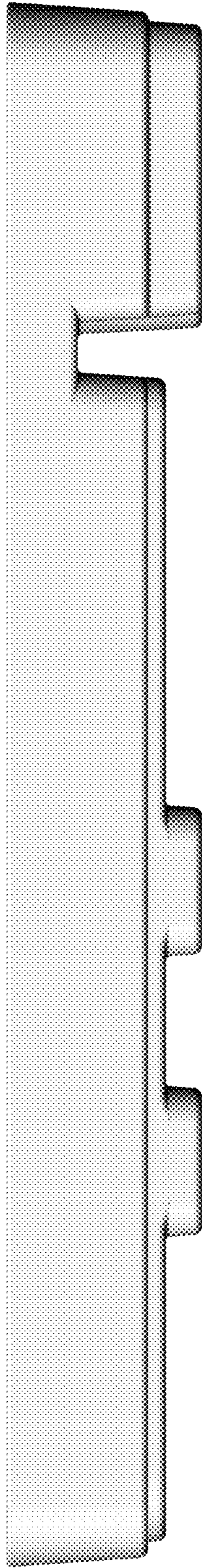


FIG. 7

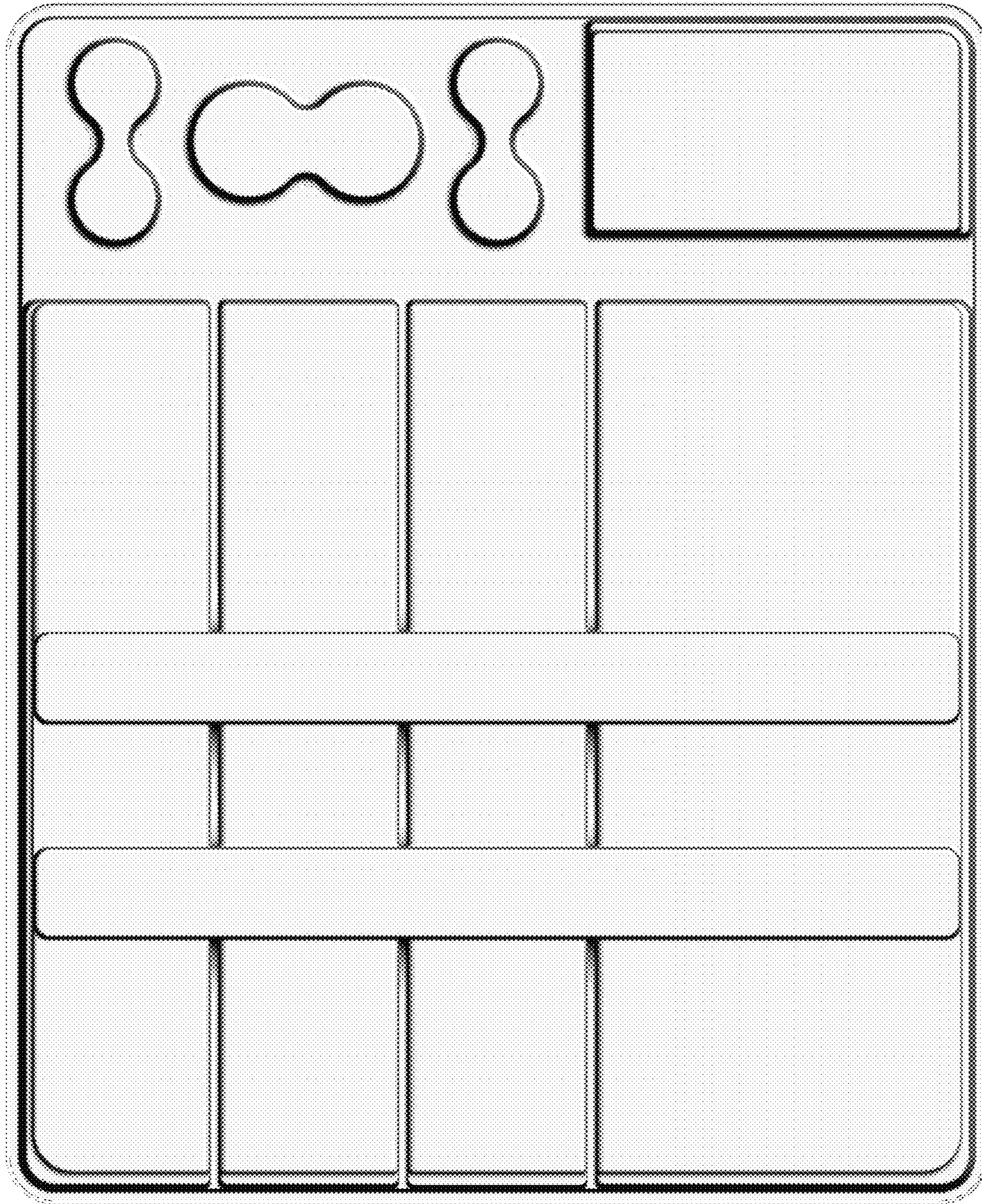


FIG. 8

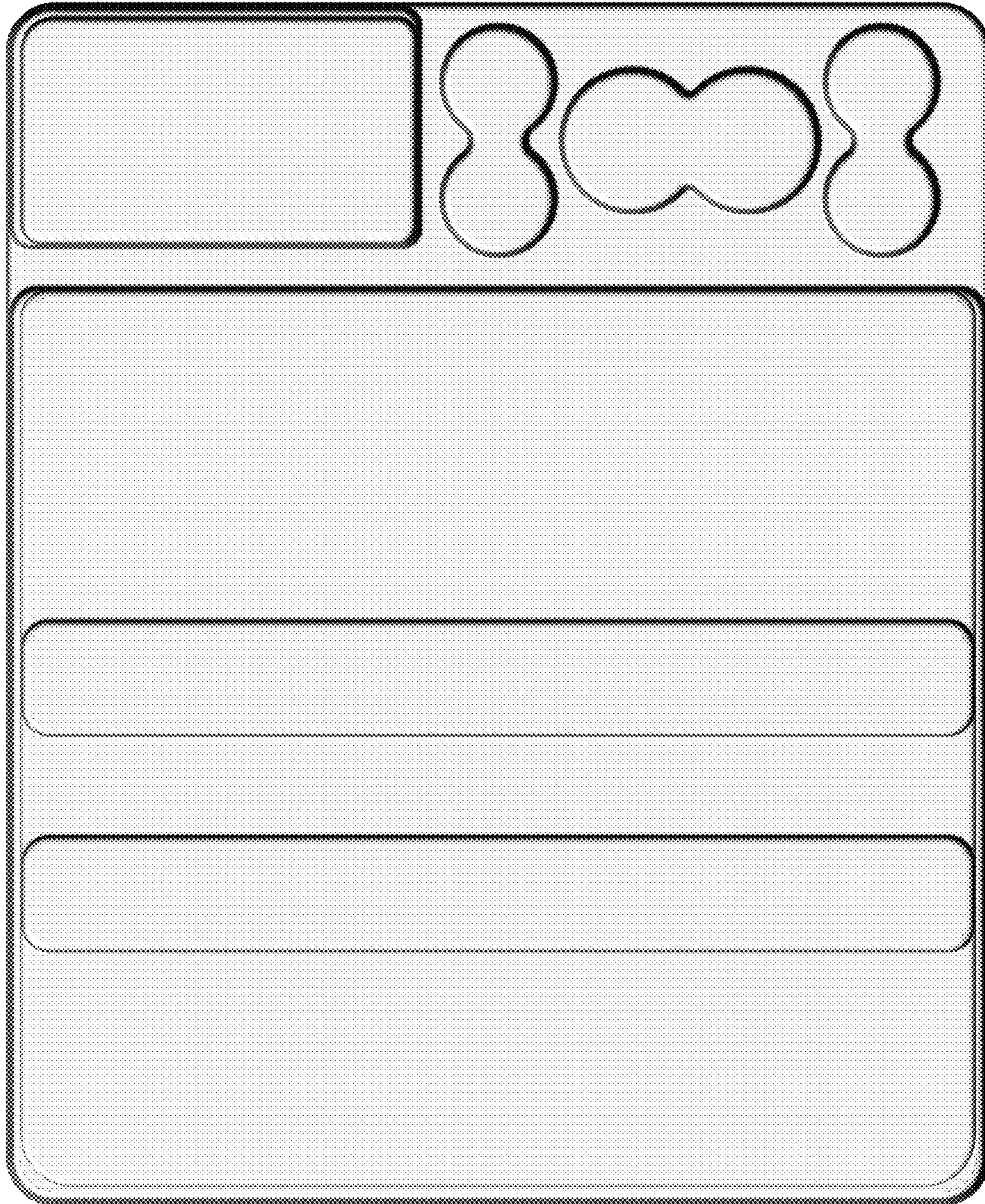


FIG. 9