



US00D890943S

(12) **United States Design Patent** (10) **Patent No.:** **US D890,943 S**
Wersland et al. (45) **Date of Patent:** **** Jul. 21, 2020**

(54) **MESSAGE ELEMENT**
(71) Applicant: **THERAGUN, LLC**, Santa Monica, CA (US)
(72) Inventors: **Jason Wersland**, Manhattan Beach, CA (US); **Benjamin Nazarian**, Los Angeles, CA (US); **Jaime Sanchez Solana**, Los Angeles, CA (US)
(73) Assignee: **THERAGUN, INC.**, Beverly Hills, CA (US)
(**) Term: **15 Years**

6,102,876 A * 8/2000 Winger A61H 15/0092
601/107
6,309,331 B1 * 10/2001 Raymond A61H 15/00
482/132
D502,264 S * 2/2005 Timmer D24/211
D516,741 S * 3/2006 Schuyler D26/154
D517,241 S * 3/2006 Schuyler D26/154
D517,726 S * 3/2006 Schuyler D26/154
D517,727 S * 3/2006 Schuyler D26/154
D534,076 S * 12/2006 Green A45D 40/0068
D9/435
D563,557 S * 3/2008 Fink D24/200
D567,951 S * 4/2008 Fink D24/200
D567,953 S * 4/2008 Fink D24/200
(Continued)

(21) Appl. No.: **29/677,157**
(22) Filed: **Jan. 17, 2019**
(51) **LOC (12) Cl.** **28-03**
(52) **U.S. Cl.**
USPC **D24/211**
(58) **Field of Classification Search**
USPC D24/200, 211, 212, 213, 214, 215;
D26/113, 154; D8/300, 378; D9/434,
D9/443, 454; D11/181
CPC A61H 15/00; A61H 2015/0064; A47H
2001/006; A47H 1/02
See application file for complete search history.

(56) **References Cited**
U.S. PATENT DOCUMENTS
D101,245 S * 9/1936 Tompkins D26/113
D190,636 S * 6/1961 Schlosser D12/162
D271,285 S * 11/1983 Lauren D9/454
D275,733 S * 10/1984 Pardo D9/454
D286,182 S * 10/1986 Hilman D24/211
D324,106 S * 2/1992 Greenblatt D24/200
D357,322 S * 4/1995 Matthews D24/200
D372,185 S * 7/1996 Doughty D8/310
5,678,703 A * 10/1997 Sawyer A47H 1/02
211/105.1
6,013,042 A * 1/2000 Sakai A61H 7/001
601/134

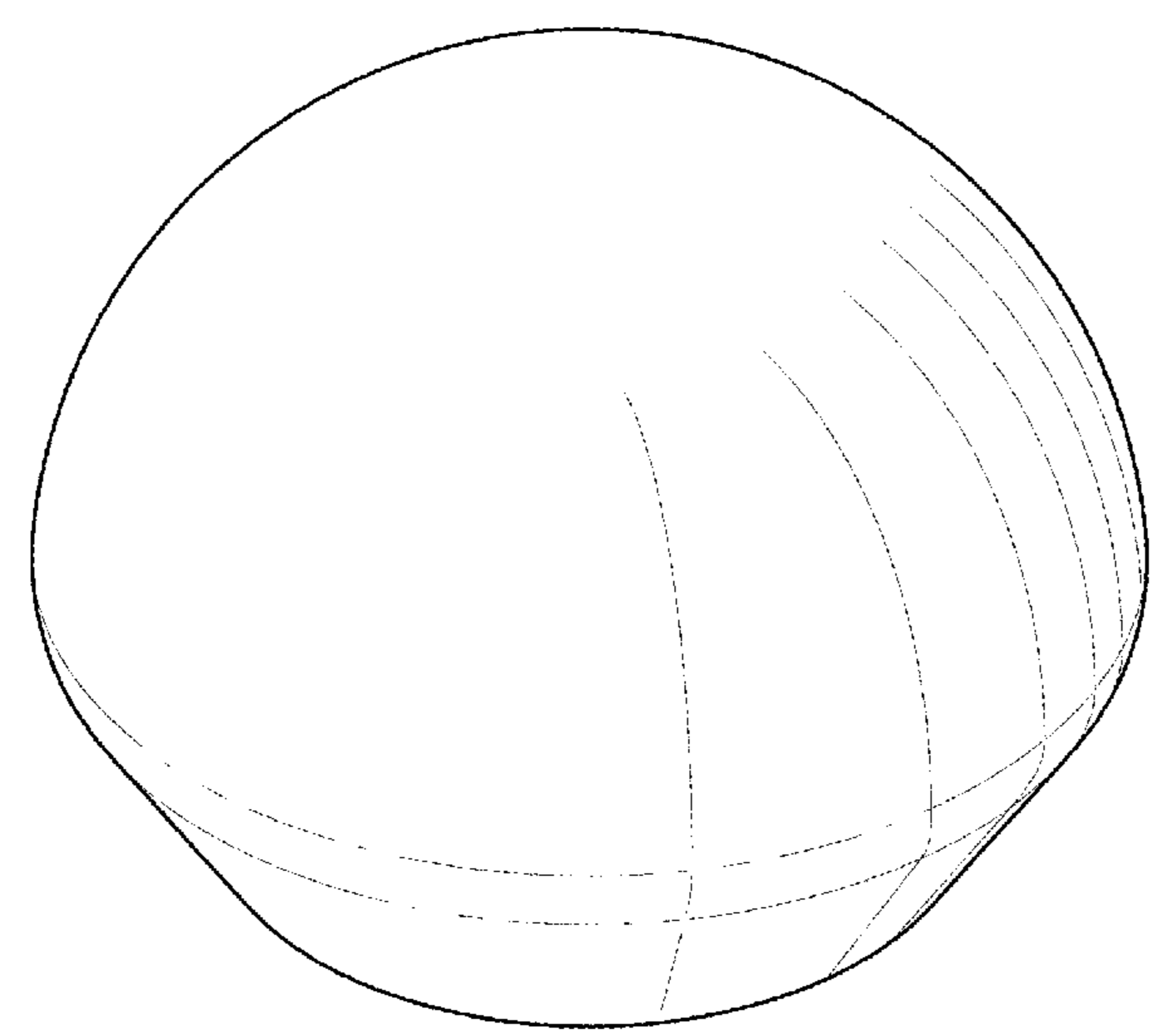
OTHER PUBLICATIONS
Amazon, "Theragun G3", May 24, 2019. https://www.amazon.com/Theragun-Percussive-Treatment-Stimulator-Performance/product-reviews/B07W6KNZ26/ref=cm_cr_getr_d_paging_btm_next_17?ie=UTF8&reviewerType=all_reviews&sortBy=recent&pageNumber=17. Shown on p. 1. (Year: 2019).*

Primary Examiner — Cynthia Ramirez
Assistant Examiner — Michael A Maharajh
(74) *Attorney, Agent, or Firm* — Jeffer Mangels Butler & Mitchell LLP; Brennan C. Swain, Esq.

(57) **CLAIM**
The ornamental design for a massage element, as shown and described.

DESCRIPTION
FIG. 1 is a top perspective view of a massage element, showing our new design;
FIG. 2 is a top plan view thereof;
FIG. 3 is a bottom plan view thereof;
FIG. 4 is a front elevational view, the rear elevational, right and left side elevational views being mirror images thereof; and,
FIG. 5 is a bottom perspective view thereof.

1 Claim, 4 Drawing Sheets



(56)

References Cited

U.S. PATENT DOCUMENTS

7,481,783 B1 * 1/2009 Kelley A61H 15/0092
 601/128
 D595,570 S * 7/2009 Moretti D9/434
 D600,177 S * 9/2009 Komiyama D12/179
 D667,131 S * 9/2012 Faussett D24/215
 D759,488 S * 6/2016 Gibson D9/454
 D769,120 S * 10/2016 Albuquerque D9/454
 D772,689 S * 11/2016 Zimmer D8/310
 D791,958 S * 7/2017 Ho D24/200
 D799,963 S * 10/2017 Akiyama D9/454
 D820,086 S * 6/2018 Lynd D9/454
 D822,842 S * 7/2018 Viner D24/211
 D837,636 S * 1/2019 Wersland D8/356
 D841,829 S * 2/2019 Evans D24/215
 D845,499 S * 4/2019 Wersland D24/211
 D845,500 S * 4/2019 Wersland D24/211
 D848,631 S * 5/2019 Reay D24/211
 D849,260 S * 5/2019 Wersland D24/211
 D849,261 S * 5/2019 Wersland D24/211
 D850,639 S * 6/2019 Wersland D24/211
 D850,640 S * 6/2019 Wersland D24/211
 10,357,425 B2 * 7/2019 Wersland A61H 15/0085
 D859,680 S * 9/2019 Wersland D24/211
 D861,182 S * 9/2019 Wersland D24/211

D861,260 S * 9/2019 Cunniff D30/199
 D865,987 S * 11/2019 Jacobs D24/214
 D867,860 S * 11/2019 Wersland D8/356
 10,470,970 B2 * 11/2019 Nazarian F16D 1/087
 D870,896 S * 12/2019 Komaki D24/200
 D874,668 S * 2/2020 Park D24/214
 D885,190 S * 5/2020 Chen D9/504
 D885,601 S * 5/2020 Wersland D24/215
 2004/0260213 A1 * 12/2004 Szczepanski A61H 15/0085
 601/46
 2008/0164393 A1 * 7/2008 Hung A47H 1/142
 248/251
 2011/0247174 A1 * 10/2011 Keishold A47H 1/02
 16/87.4 R
 2012/0103924 A1 * 5/2012 Chuang A47H 13/02
 211/123
 2012/0261082 A1 * 10/2012 Stoughton A47H 1/142
 160/184
 2013/0082017 A1 * 4/2013 Tang A47H 1/02
 211/124
 2016/0255980 A1 * 9/2016 Barrett A47H 1/142
 2017/0000280 A1 * 1/2017 Mullet E06B 9/68
 2017/0027302 A1 * 2/2017 Gieux A61H 15/0092
 2019/0017528 A1 * 1/2019 Wersland F16B 39/28
 2019/0350793 A1 * 11/2019 Wersland A61H 23/006
 2020/0069510 A1 * 3/2020 Wersland A61H 23/0254

* cited by examiner

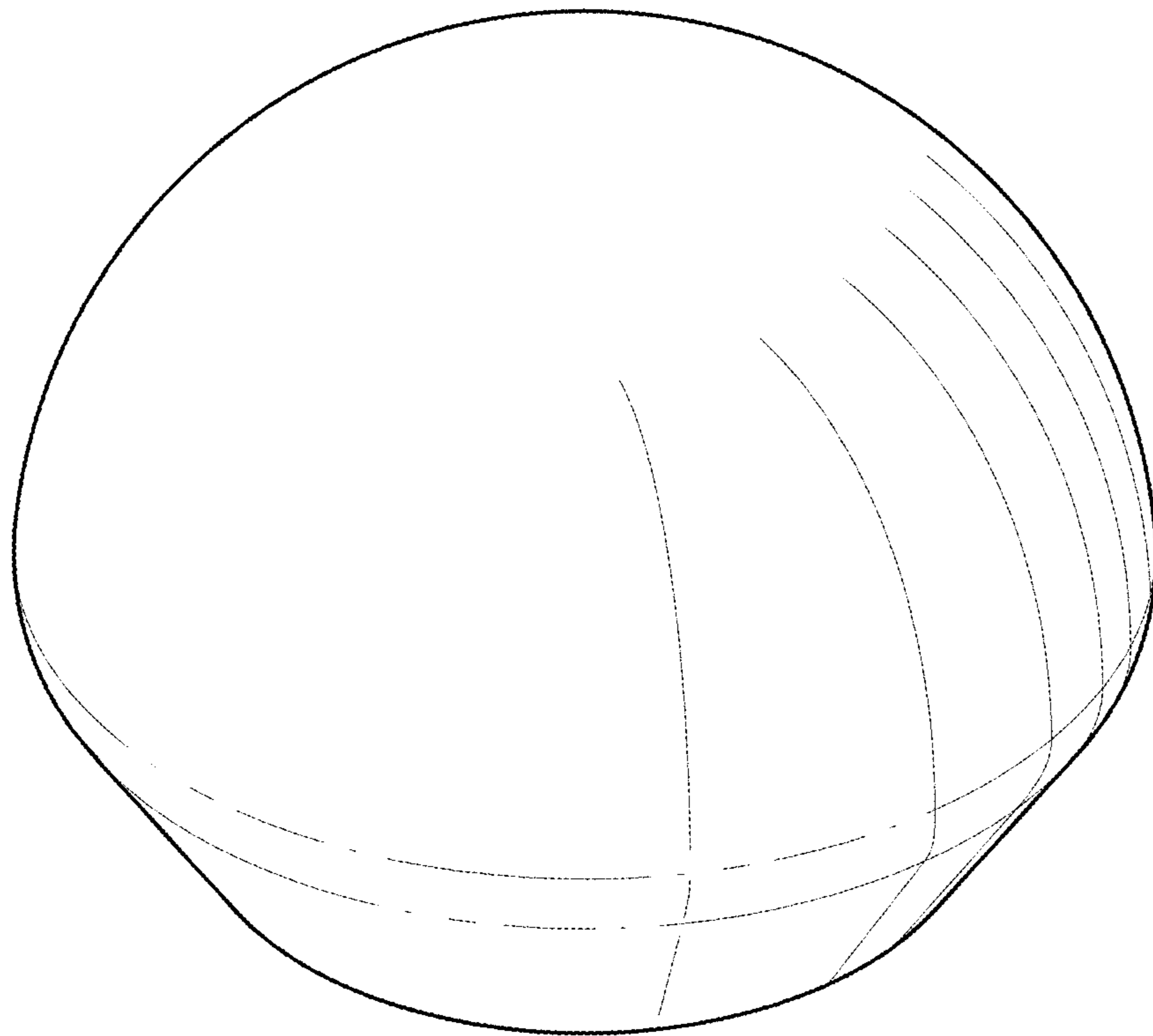


FIG. 1

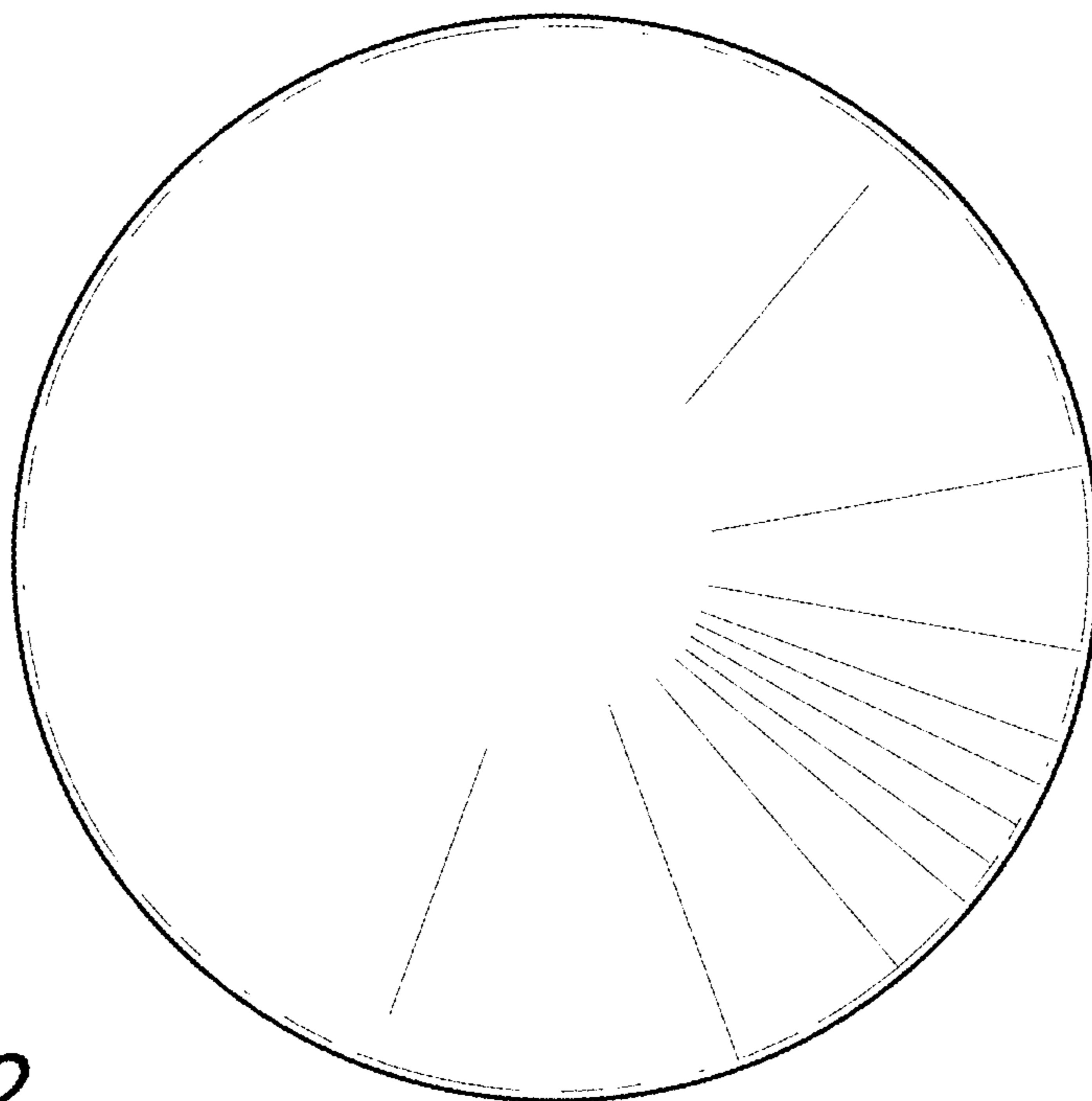


FIG. 2

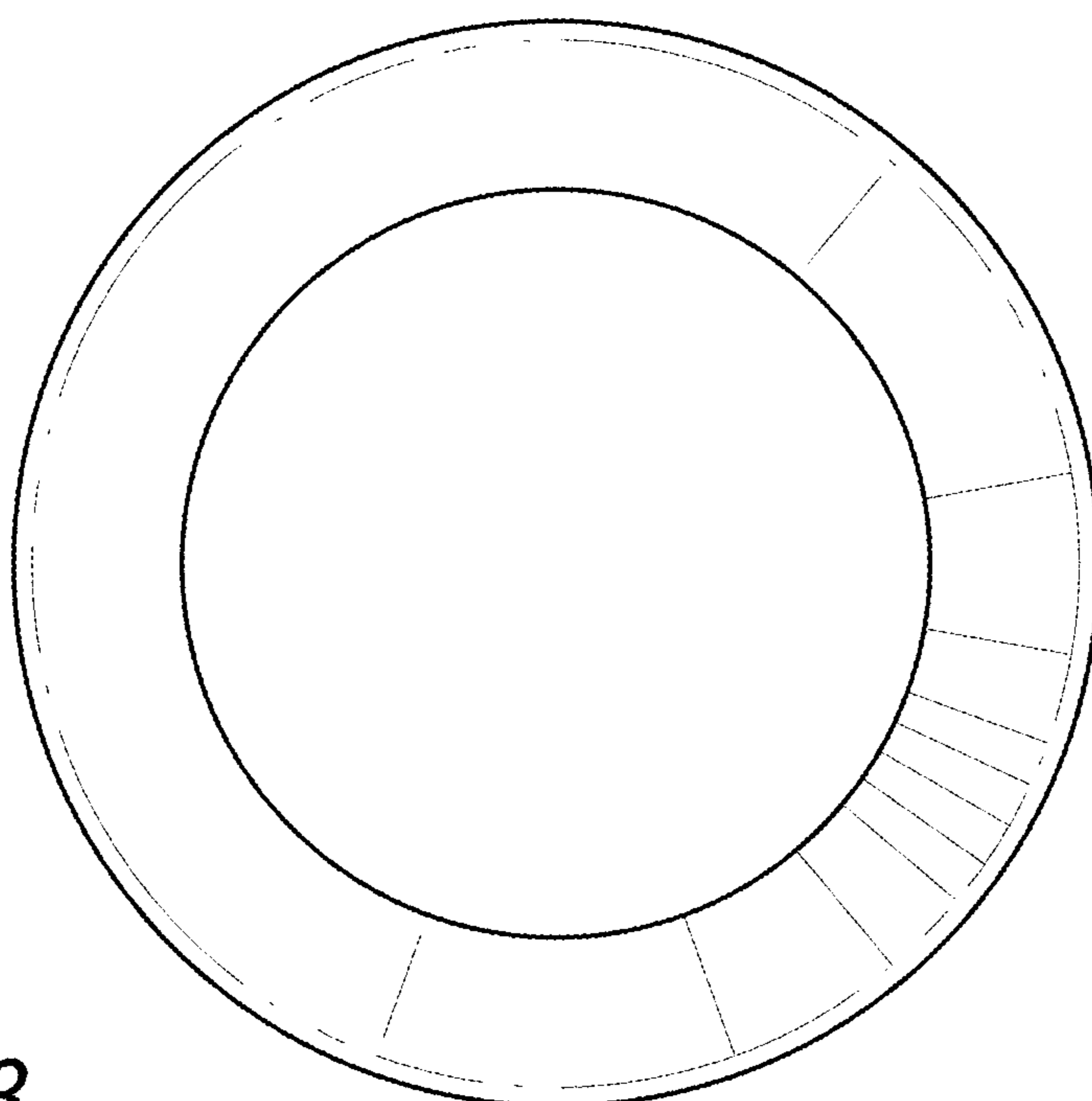


FIG. 3

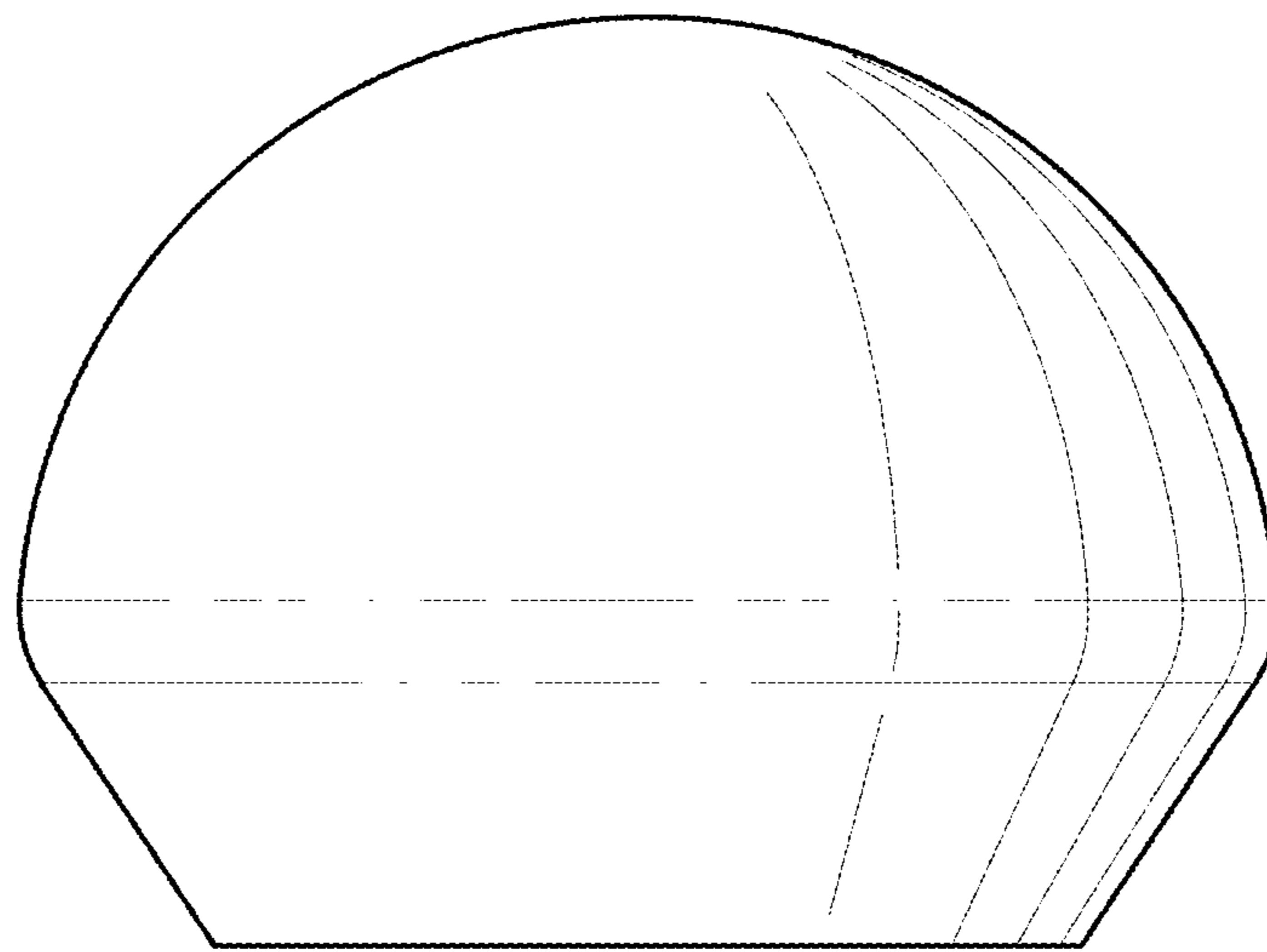


FIG. 4

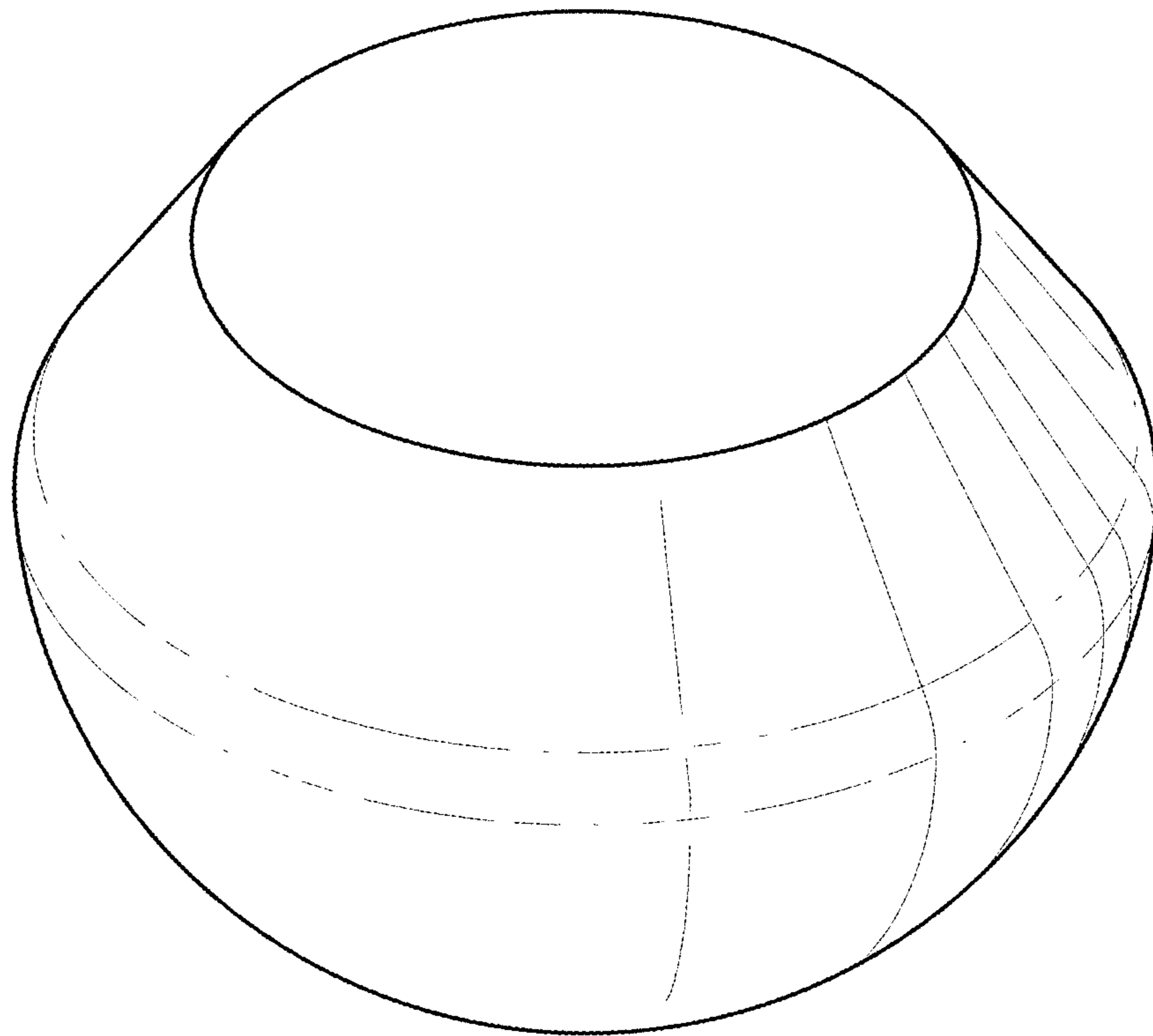


FIG. 5