



US00D890941S

(12) **United States Design Patent** (10) **Patent No.:** **US D890,941 S**
Gaquiere et al. (45) **Date of Patent:** **** *Jul. 21, 2020**

(54) **SKIN TREATMENT APPARATUS WITH ROLLER**

(71) Applicant: **Reckitt Benckiser (Brands) Limited**, Slough (GB)

(72) Inventors: **Mathias Gaquiere**, Slough (GB); **Ben Ombler**, Hull (GB); **Elizabeth Roberts**, Slough (GB); **Norman Stevenson**, Warwick (GB); **Simon Woolley**, Hull (GB)

(73) Assignee: **RECKITT BENCKISER HEALTH LIMITED**, Slough (GB)

(*) Notice: This patent is subject to a terminal disclaimer.

(**) Term: **15 Years**

(21) Appl. No.: **29/636,302**

(22) Filed: **Feb. 7, 2018**

(30) **Foreign Application Priority Data**

Aug. 8, 2017 (EM) 004139202-0002

(51) **LOC (12) Cl.** **28-03**

(52) **U.S. Cl.**
USPC **D24/211**

(58) **Field of Classification Search**

USPC D24/102, 112, 113, 114, 115, 127, 133, D24/146, 147, 148, 149, 151, 214, 215, D24/231; D28/7, 9, 44, 44.1, 49, 57, 59, D28/62, 91.1, 45, 48; D9/723, 726, 727; D7/669, 682, 697; D32/25, 40, 35; D8/107, 300, 321
CPC A61H 15/00; A61H 2015/0014; A61H 15/0092; A61H 23/0263; A61M 5/2387; A61M 5/3295; A61M 5/3297; A61M 5/3298; A61M 2023/0023; A61M 37/00; A61M 37/0015; A45D 2/2471; A46B 2200/104; G01M 17/0074

See application file for complete search history.

(56) **References Cited**

U.S. PATENT DOCUMENTS

D456,509	S	*	4/2002	Schultz	D13/153
D495,051	S	*	8/2004	Reschke	D24/133
D598,543	S	*	8/2009	Vogel	D24/133
D627,066	S	*	11/2010	Romero	D24/133
D628,289	S	*	11/2010	Romero	D24/133
D706,981	S	*	6/2014	Clough	D28/44.1
D737,517	S	*	8/2015	Yiu	D28/49
D739,604	S	*	9/2015	Christie	D28/48

(Continued)

OTHER PUBLICATIONS

Amope Pedi Perfect Electronic Foot File https://www.amazon.com/Amope-Perfect-Electronic-Dual-Speed-Crystals/dp/B013AX6U6Q/ref=cm_cr_ar_p_d_pdt_img_top?ie=UTF8 27 Mar. 2016 (Year: 2001).*

Primary Examiner — Samantha Q Lawrence

(74) *Attorney, Agent, or Firm* — Troutman Sanders LLP; Ryan Schneider; Chris N. Davis

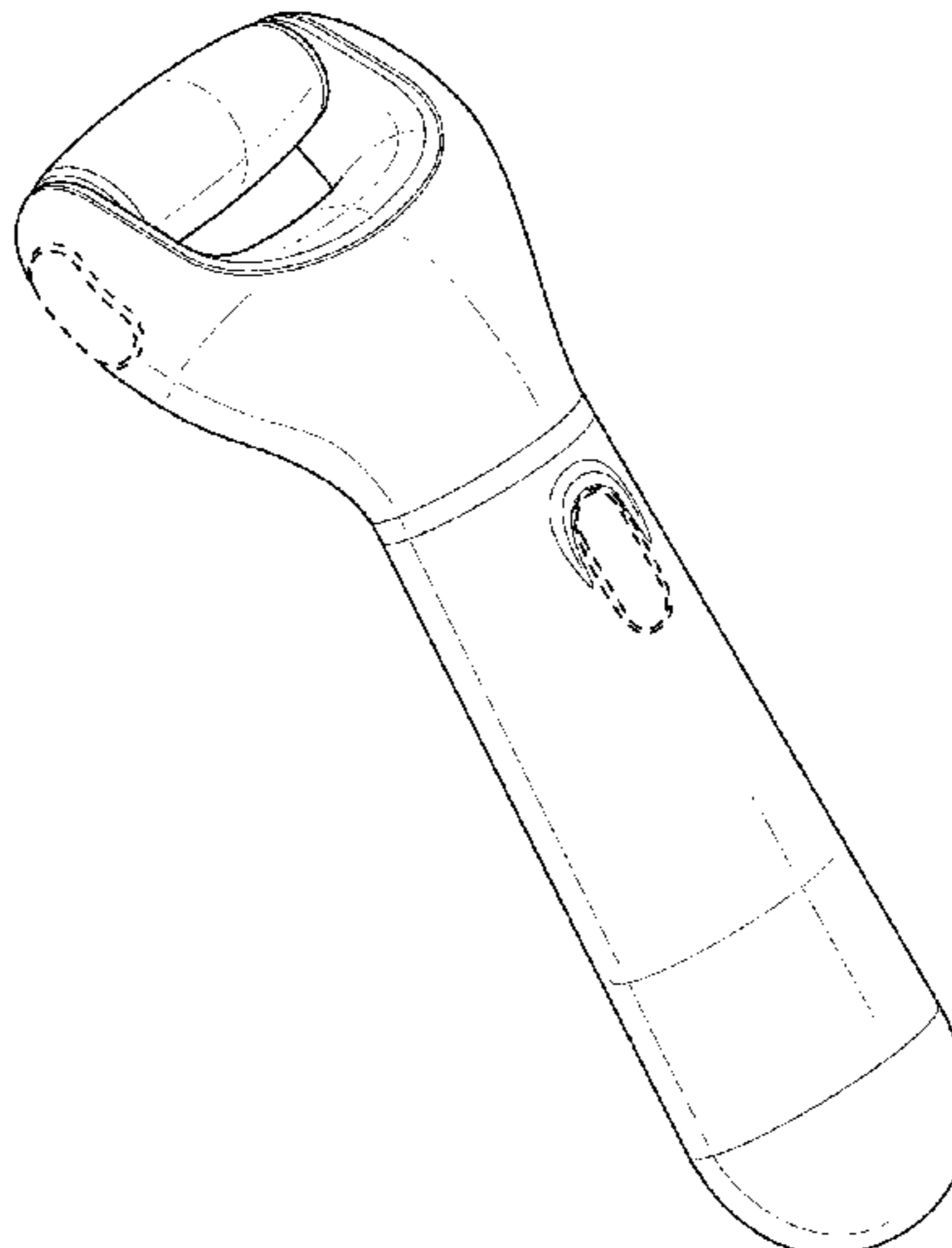
(57) **CLAIM**

The ornamental design for a skin treatment apparatus with roller, as shown and described.

DESCRIPTION

FIG. 1 is a perspective view of our new design for a skin treatment apparatus with roller;
FIG. 2 is a rear elevation view thereof;
FIG. 3 is a left side elevation view thereof;
FIG. 4 is a front elevation view thereof;
FIG. 5 is a right side elevation view thereof;
FIG. 6 is a top plan view thereof; and,
FIG. 7 is a bottom plan view thereof.
The broken lines are included for the purpose of illustrating a portion of the skin treatment apparatus with roller that forms no part of the claimed design.

1 Claim, 7 Drawing Sheets



(56)

References Cited

U.S. PATENT DOCUMENTS

D750,324 S * 2/2016 Bae D28/48
D752,812 S * 3/2016 Sivan D28/58
D759,311 S * 6/2016 Khubani D28/58
D781,498 S * 3/2017 Pel D24/133
D781,499 S * 3/2017 Pel D24/133
D789,609 S * 6/2017 Kong D28/48
D804,020 S * 11/2017 Hashimoto D24/114
D806,238 S * 12/2017 Hashimoto D24/119
D820,522 S * 6/2018 Colin D28/58
D824,596 S * 7/2018 Gobber A45D 29/00
D28/58
D837,024 S * 1/2019 Morehouse D8/107
D841,176 S * 2/2019 Gaquiere D24/211
D843,658 S * 3/2019 Kong D28/48
D845,633 S * 4/2019 Gaquiere D4/102
D849,259 S * 5/2019 Gaquiere D24/211
D850,724 S * 6/2019 Luo D28/58
D854,906 S * 7/2019 Magana D8/107
D863,681 S * 10/2019 Jin D28/48
D864,482 S * 10/2019 Goeder D28/48
D865,201 S * 10/2019 Gaquiere D24/211
D865,202 S * 10/2019 Gaquiere D24/211
D865,203 S * 10/2019 Eschbach D24/211
D868,562 S * 12/2019 Yabu D8/308
D868,987 S * 12/2019 Cheung D24/215
D870,381 S * 12/2019 Dubin D28/48
D870,382 S * 12/2019 Dubin D28/48
2015/0374409 A1 * 12/2015 Chopdat A61H 7/005
606/131
2019/0038896 A1 * 2/2019 Gimelli A61N 1/0412

* cited by examiner

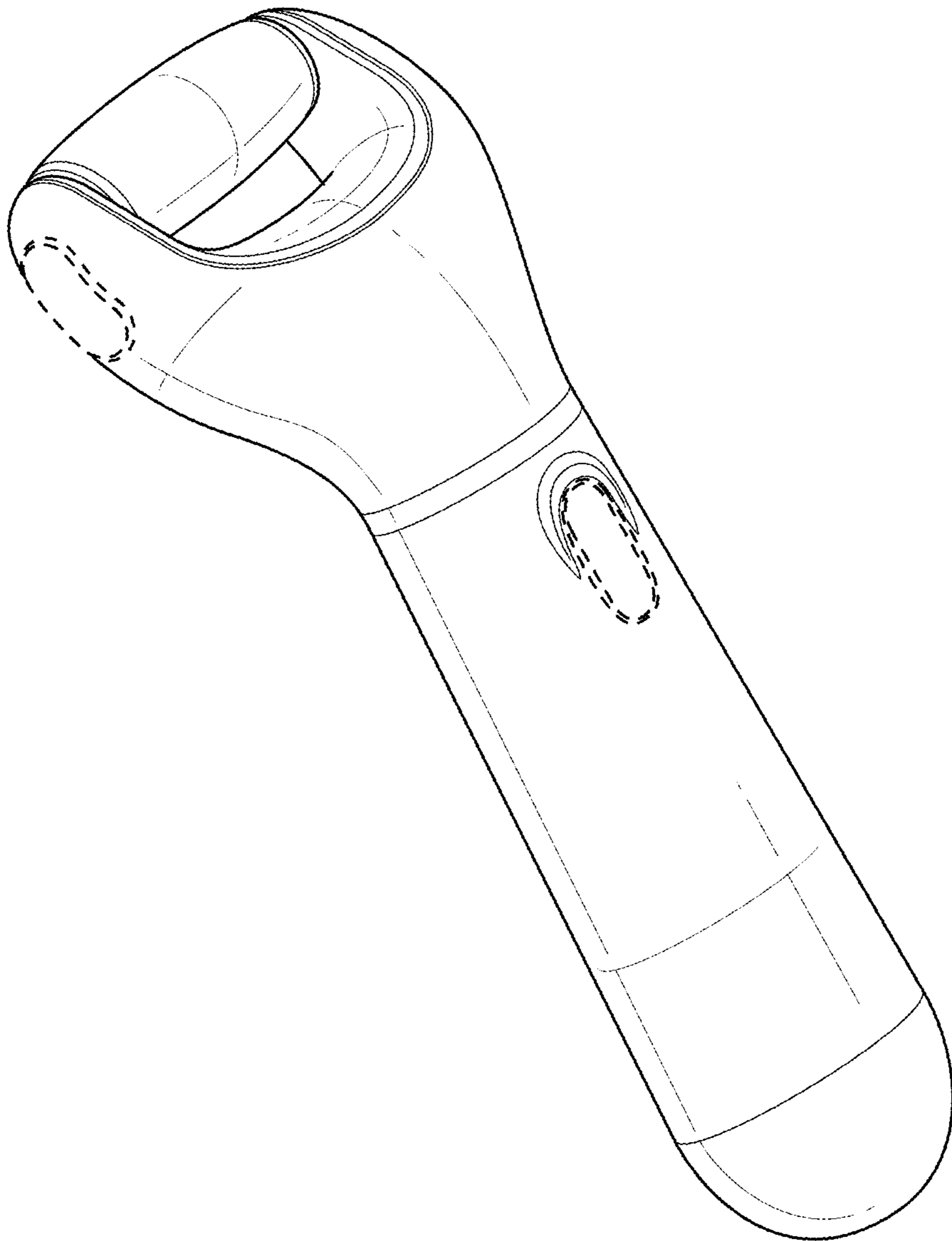


FIG. 1

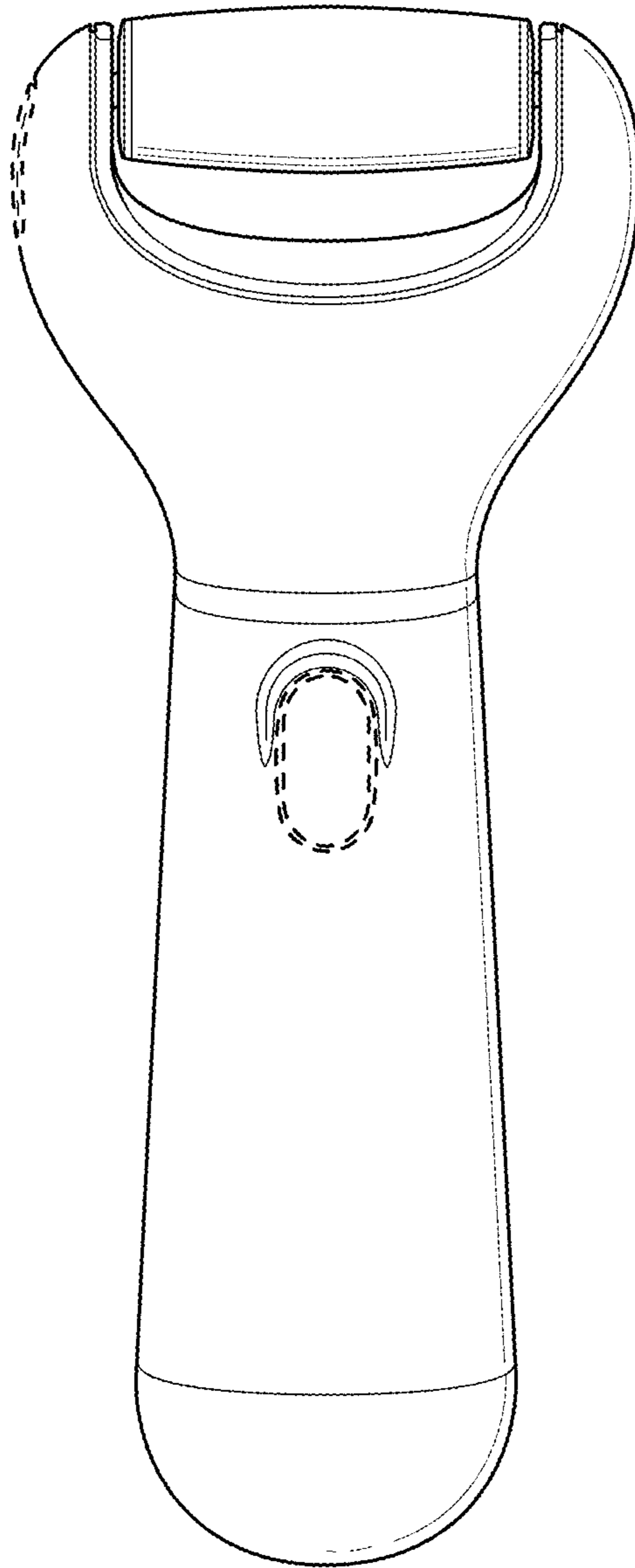


FIG. 2

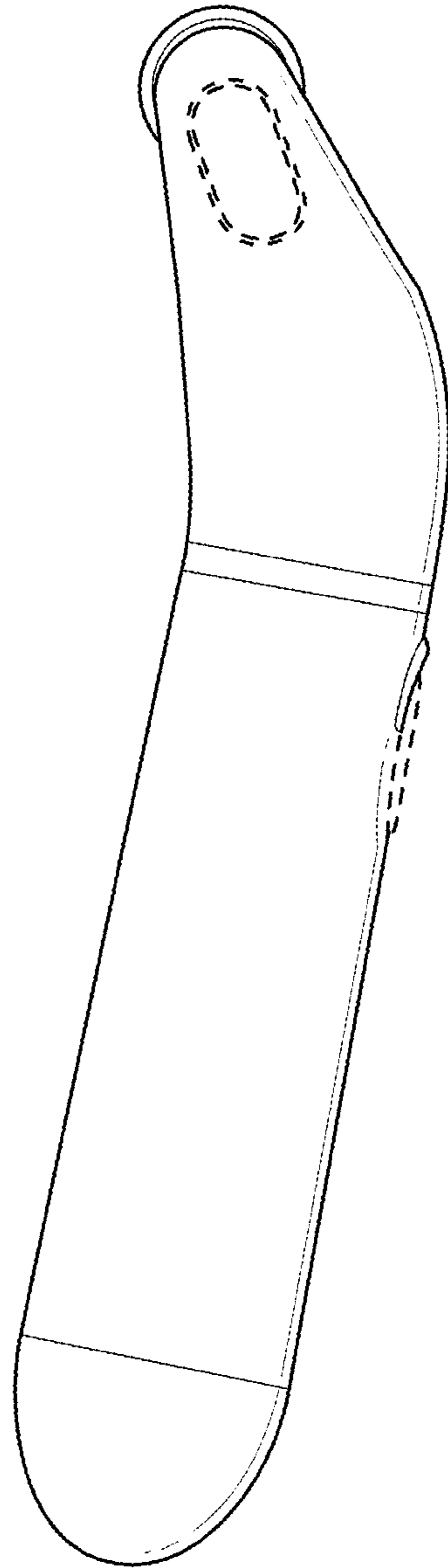


FIG. 3

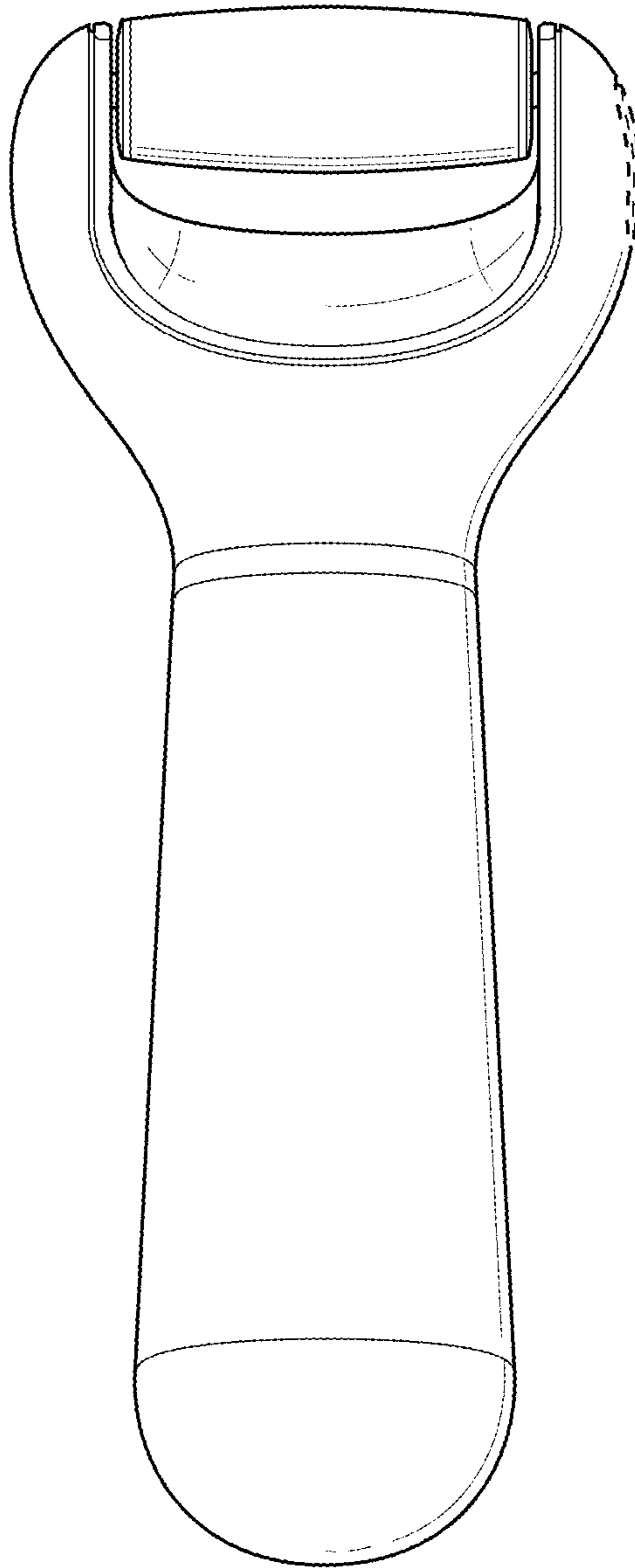


FIG. 4

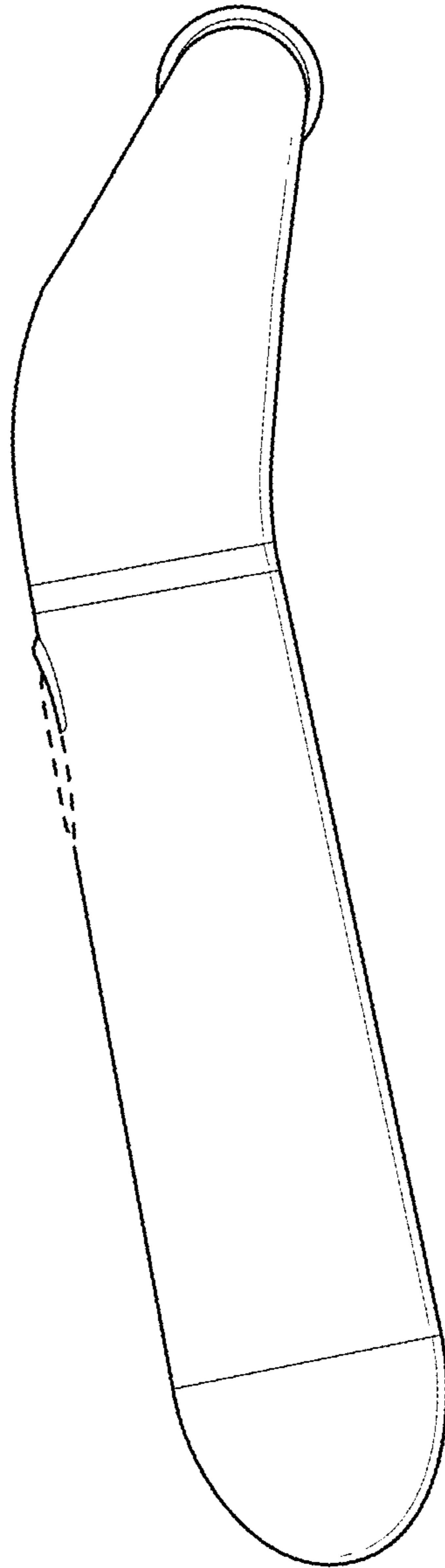


FIG. 5

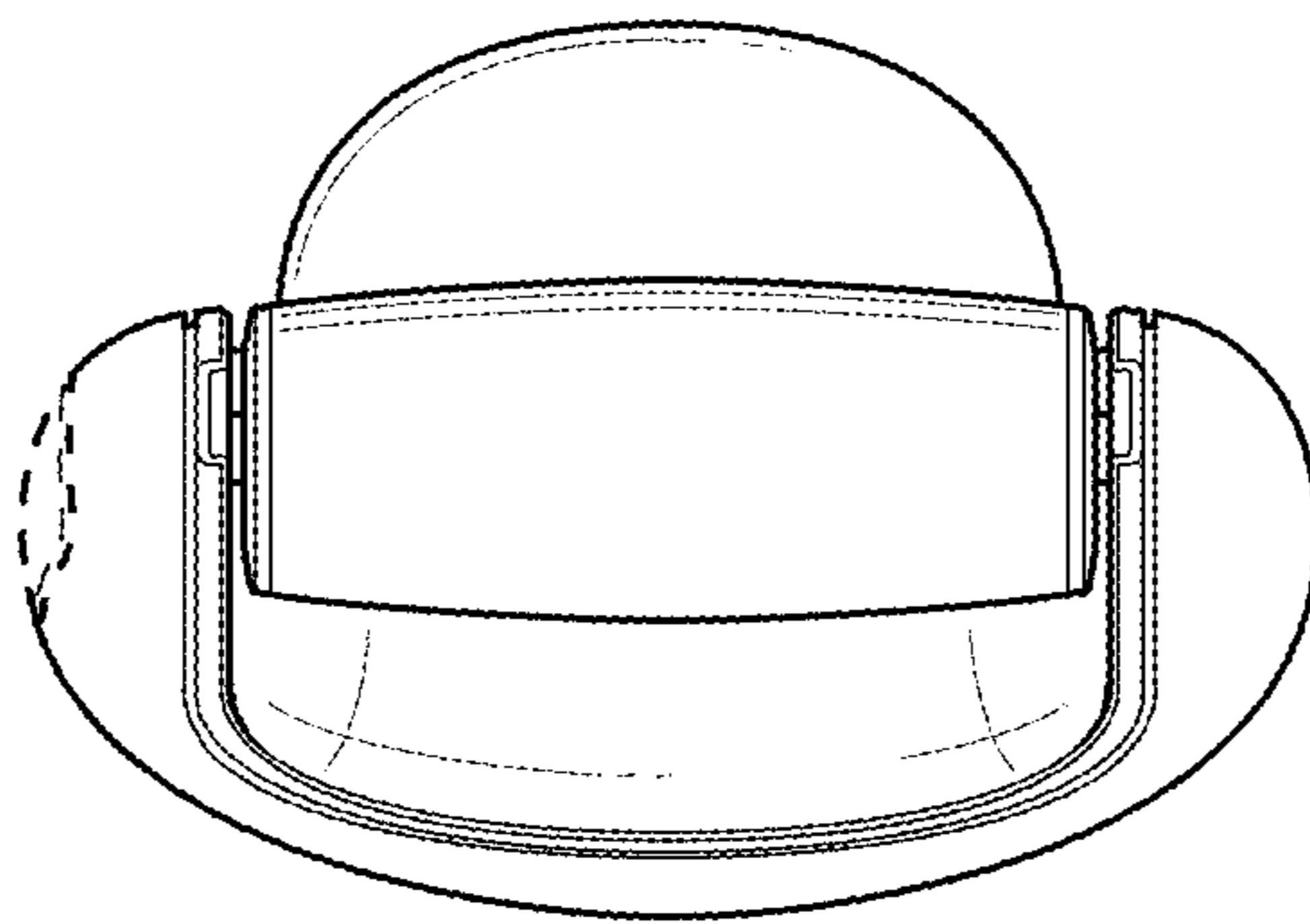


FIG. 6

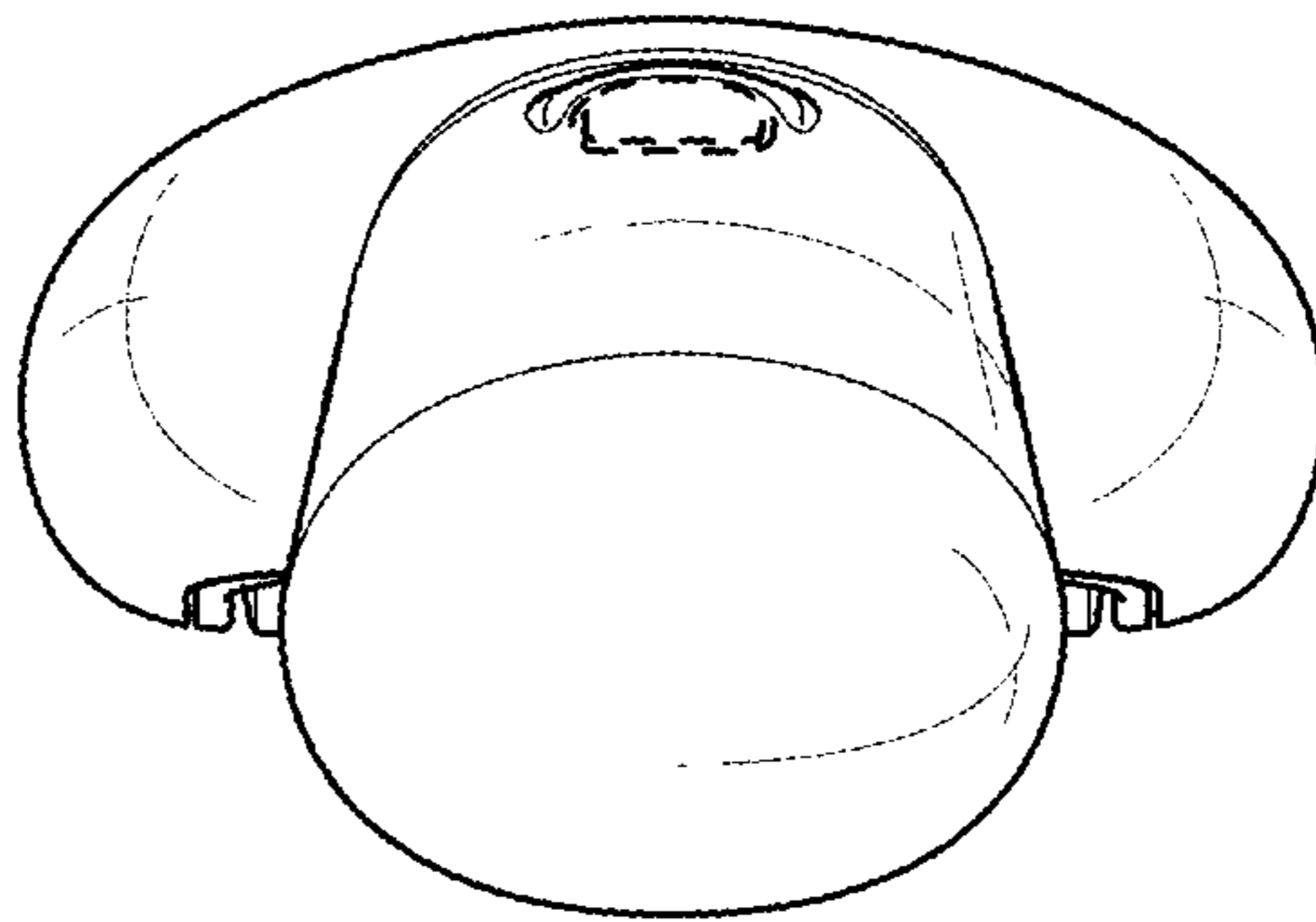


FIG. 7