



US00D890939S

(12) **United States Design Patent** (10) **Patent No.:** **US D890,939 S**
Viale (45) **Date of Patent:** **** Jul. 21, 2020**

(54) **NURSING BOTTLE NIPPLE**
(71) Applicant: **ABI Holding Limited**, Birkirkara (MT)
(72) Inventor: **Marco Viale**, Birkirkara (MT)
(73) Assignee: **ABI Holding Limited**, Birkirkara (MT)
(**) Term: **15 Years**
(21) Appl. No.: **29/645,426**
(22) Filed: **Apr. 26, 2018**

D667,558 S * 9/2012 Hakim D24/193
D681,216 S * 4/2013 Smith D24/196
D684,267 S * 6/2013 Smith D24/196
D725,282 S * 3/2015 Lo D24/194
D739,539 S * 9/2015 Khachikian D24/195
D823,474 S * 7/2018 Brown D24/196
D836,787 S * 12/2018 Lee D24/194
D841,174 S * 2/2019 Wagenknecht D24/197
D847,560 S * 5/2019 Calland D7/392.1
D859,077 S * 9/2019 Calland D7/510
D861,894 S * 10/2019 Cudworth D24/196
D861,897 S * 10/2019 Bergstrom D24/197
2004/0124168 A1* 7/2004 Silver A61J 11/0015
215/11.1

(Continued)

(30) **Foreign Application Priority Data**

Oct. 27, 2017 (EM) 004423812-0001
Oct. 27, 2017 (EM) 004423812-0002

(51) **LOC (12) Cl.** **24-04**
(52) **U.S. Cl.**
USPC **D24/197**

(58) **Field of Classification Search**
USPC D7/392.1, 396.2, 510, 511, 532, 534;
D24/193-197, 199
CPC A61J 11/005; A61J 11/04
See application file for complete search history.

(56) **References Cited**

U.S. PATENT DOCUMENTS

D130,791 S * 12/1941 Porthouse D24/196
D264,380 S * 5/1982 Chrones D24/196
D294,735 S * 3/1988 Morano D24/196
D371,848 S * 7/1996 Searles D24/197
D441,870 S * 5/2001 Randolph D24/196
D463,567 S * 9/2002 Morano D24/196
D465,028 S * 10/2002 Renz D24/196
D504,725 S * 5/2005 Randolph D24/196
D599,028 S * 8/2009 Schofield D24/196
D602,596 S * 10/2009 Yamashita D24/193
D637,300 S * 5/2011 Yamashita D24/196
D639,969 S * 6/2011 Pukall D24/196

OTHER PUBLICATIONS

“NUK Gerber 3 Piece Natural Choice Wide NEck Replacement Nipple.” Found online Nov. 19, 2019 at www.amazon.com. Product reviewed Jun. 15, 2016. Retrieved from URL: <https://www.amazon.com/NUK-Gerber-Natural-Choice-Replacement/dp/B018G4ST04> (Year: 2016).*

(Continued)

Primary Examiner — Mary Ann Calabrese
Assistant Examiner — Katelin G Kloberg

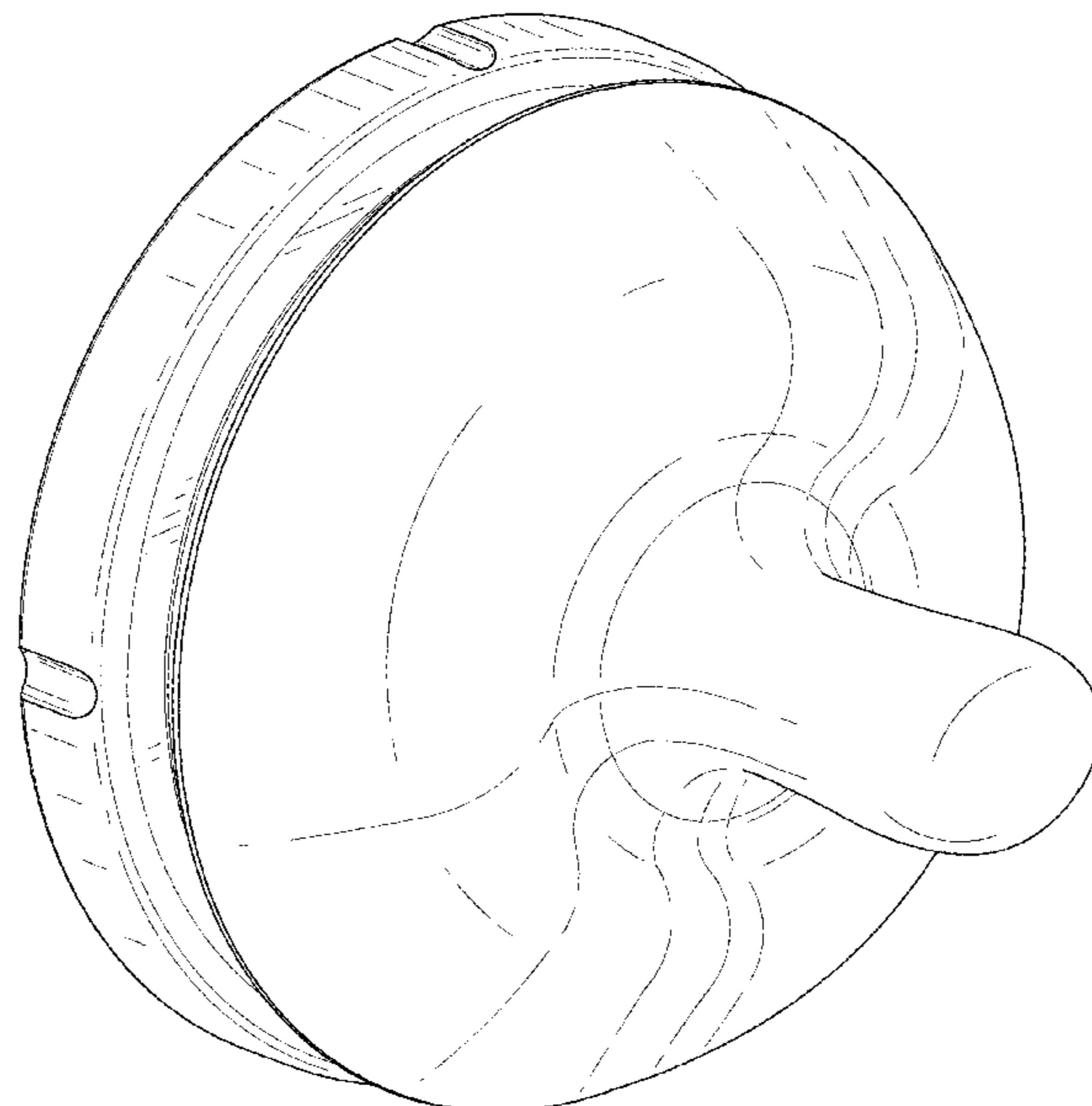
(57) **CLAIM**

The ornamental design for a nursing bottle nipple, as shown and described.

DESCRIPTION

FIG. 1 is a perspective view of a nursing bottle nipple, showing my new design;
FIG. 2 is a top view thereof;
FIG. 3 is a bottom view thereof;
FIG. 4 is a front view thereof;
FIG. 5 is a left side view thereof; and,
FIG. 6 is a right side view thereof.

1 Claim, 6 Drawing Sheets



(56)

References Cited

U.S. PATENT DOCUMENTS

2015/0202122 A1* 7/2015 Tesini A61J 11/04
215/11.5
2017/0112720 A1* 4/2017 Wagenknecht A61J 11/006

OTHER PUBLICATIONS

“Tommee Tippee Ultra Baby Bottle Feeding Nipple Replacement.”
Found online Nov. 19, 2019 at www.amazon.com. Product reviewed
Nov. 3, 2016. Retrieved from URL: [https://www.amazon.com/
Tommee-Tippee-Feeding-Replacement-Breast-Like/dp/
B01CDOEE52](https://www.amazon.com/Tommee-Tippee-Feeding-Replacement-Breast-Like/dp/B01CDOEE52) (Year: 2016).*

“Comotomo Silicone Replacement Nipple.” Found online Nov. 19,
2019 at www.amazon.com. Product reviewed May 3, 2012. Retrieved
from URL: [https://www.amazon.com/Comotomo-Silicone-
Replacement-Nipple-Months/dp/B01J61N1G8](https://www.amazon.com/Comotomo-Silicone-Replacement-Nipple-Months/dp/B01J61N1G8) (Year: 2012).*

“Philips Avent Natural Bottle Nipple.” Found online Nov. 19, 2019
at www.amazon.com. Product reviewed Mar. 7, 2018. Retrieved
from URL: [https://www.amazon.com/Philips-Natural-Bottle-Nipple-
Newborn/dp/B0009Z16G8/ref=sr_1_1?keywords=replacement+
nipple+avent&qid=1574203571&s=baby-products&sr=1-1](https://www.amazon.com/Philips-Natural-Bottle-Nipple-Newborn/dp/B0009Z16G8/ref=sr_1_1?keywords=replacement+nipple+avent&qid=1574203571&s=baby-products&sr=1-1) (Year
2018).*

* cited by examiner

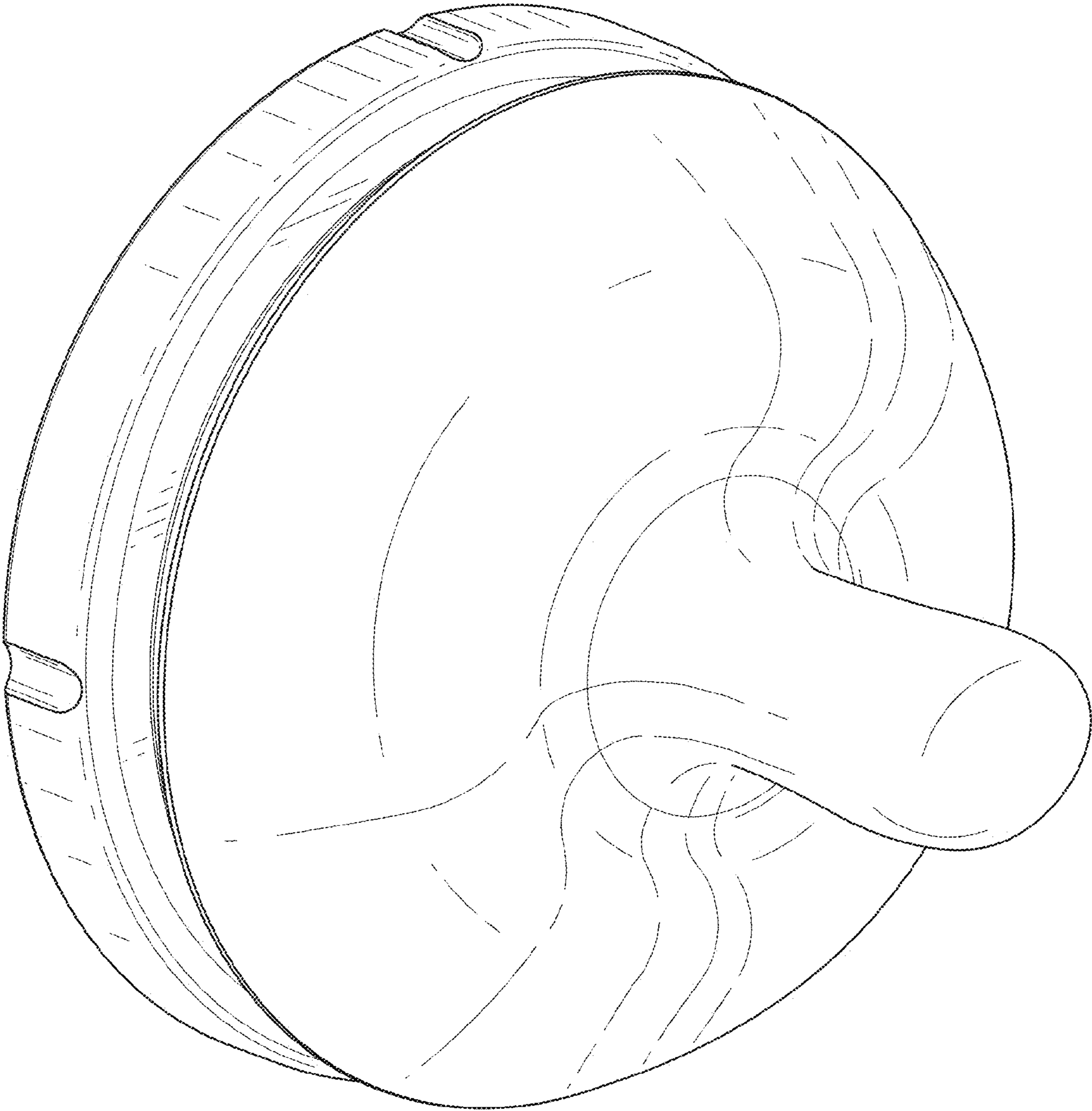


FIG. 1

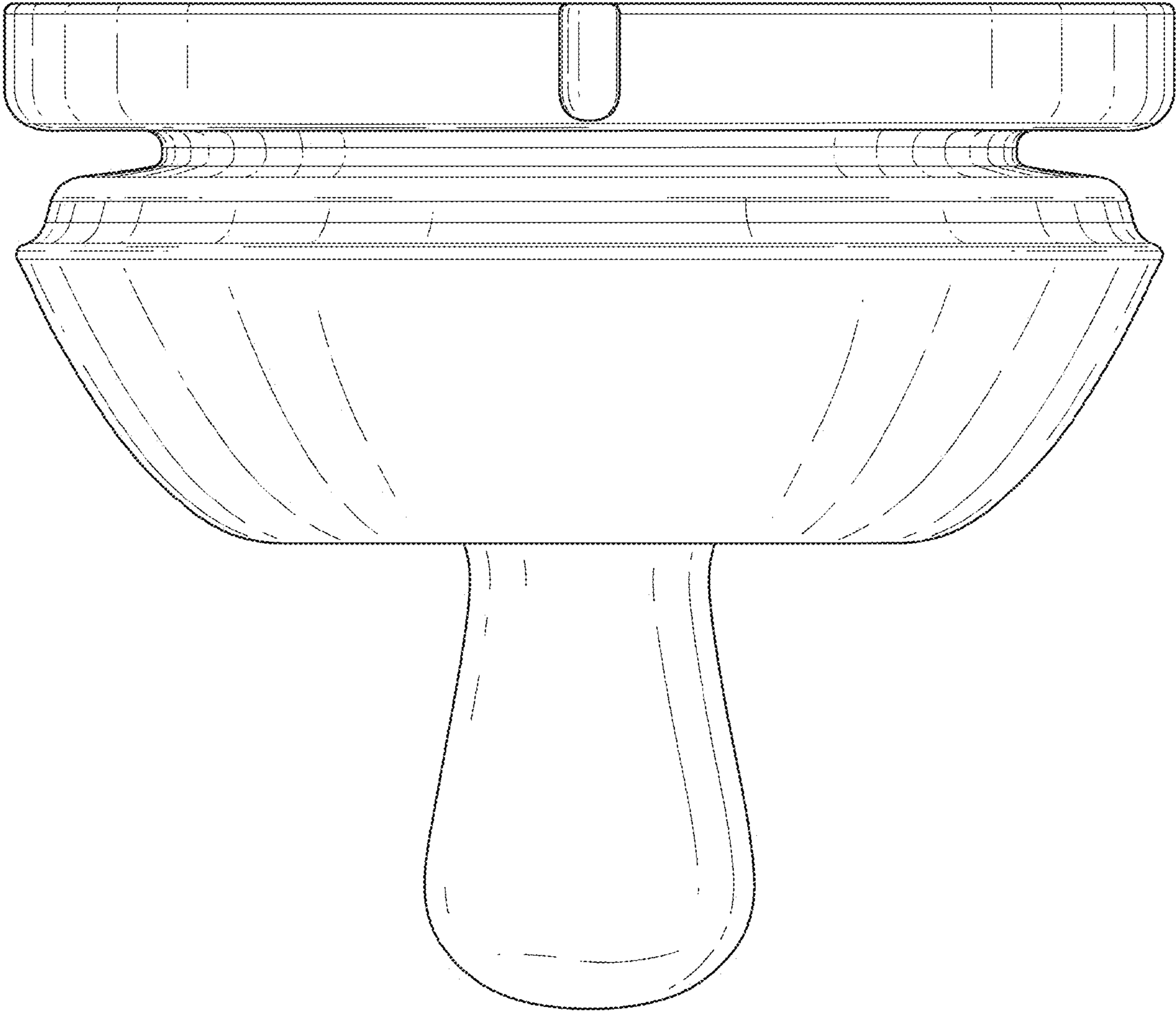


FIG. 2

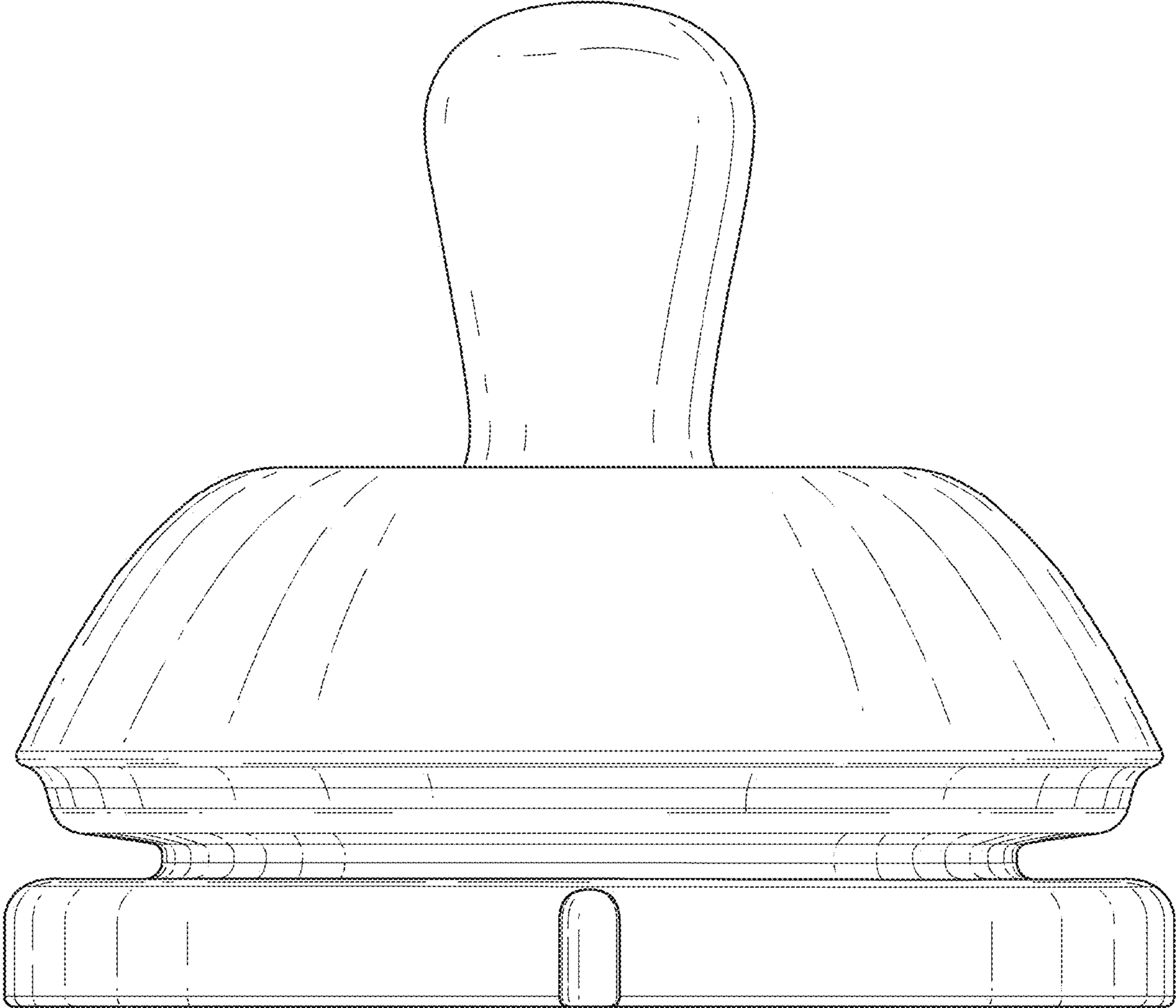


FIG. 3

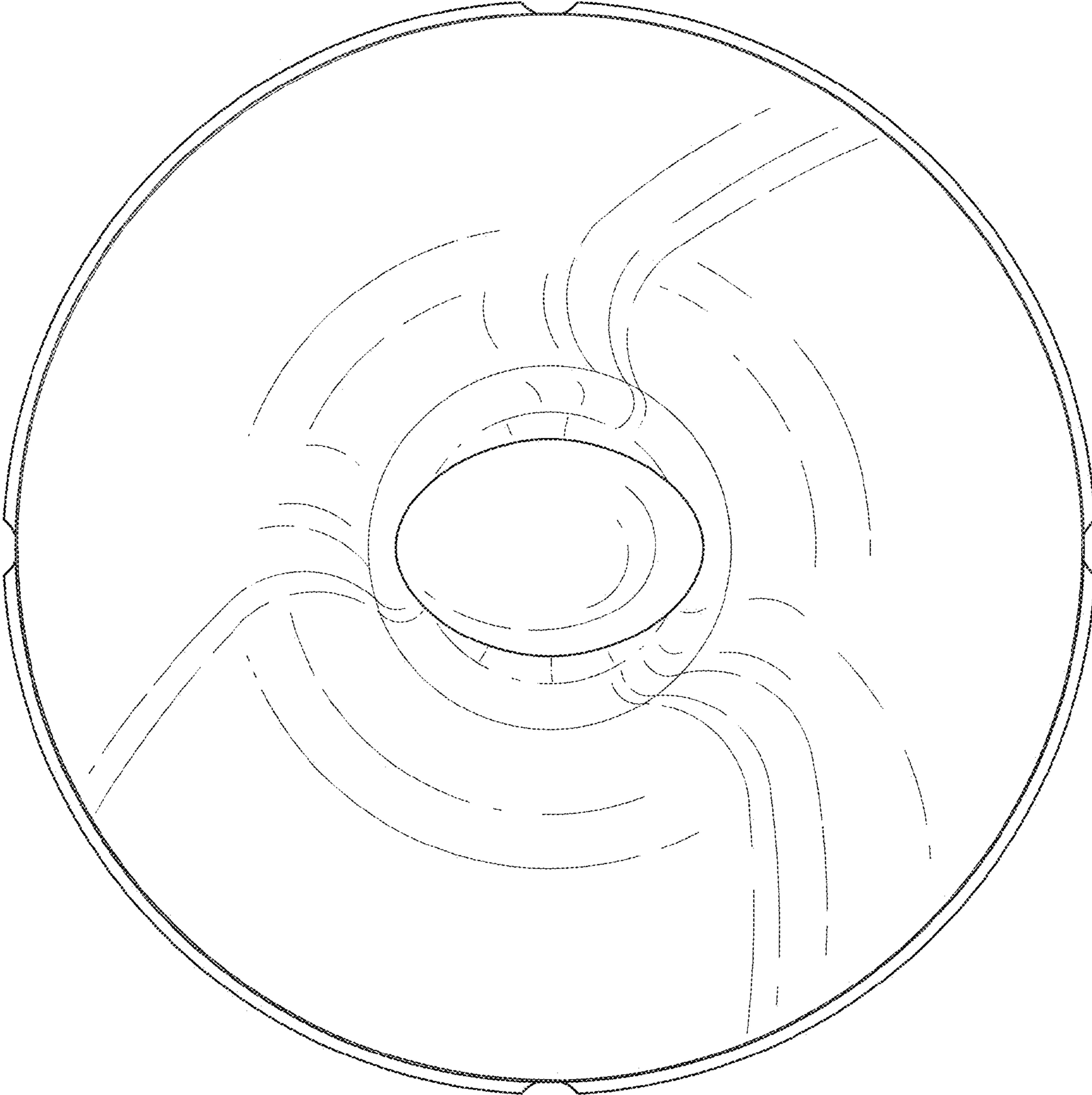


FIG. 4

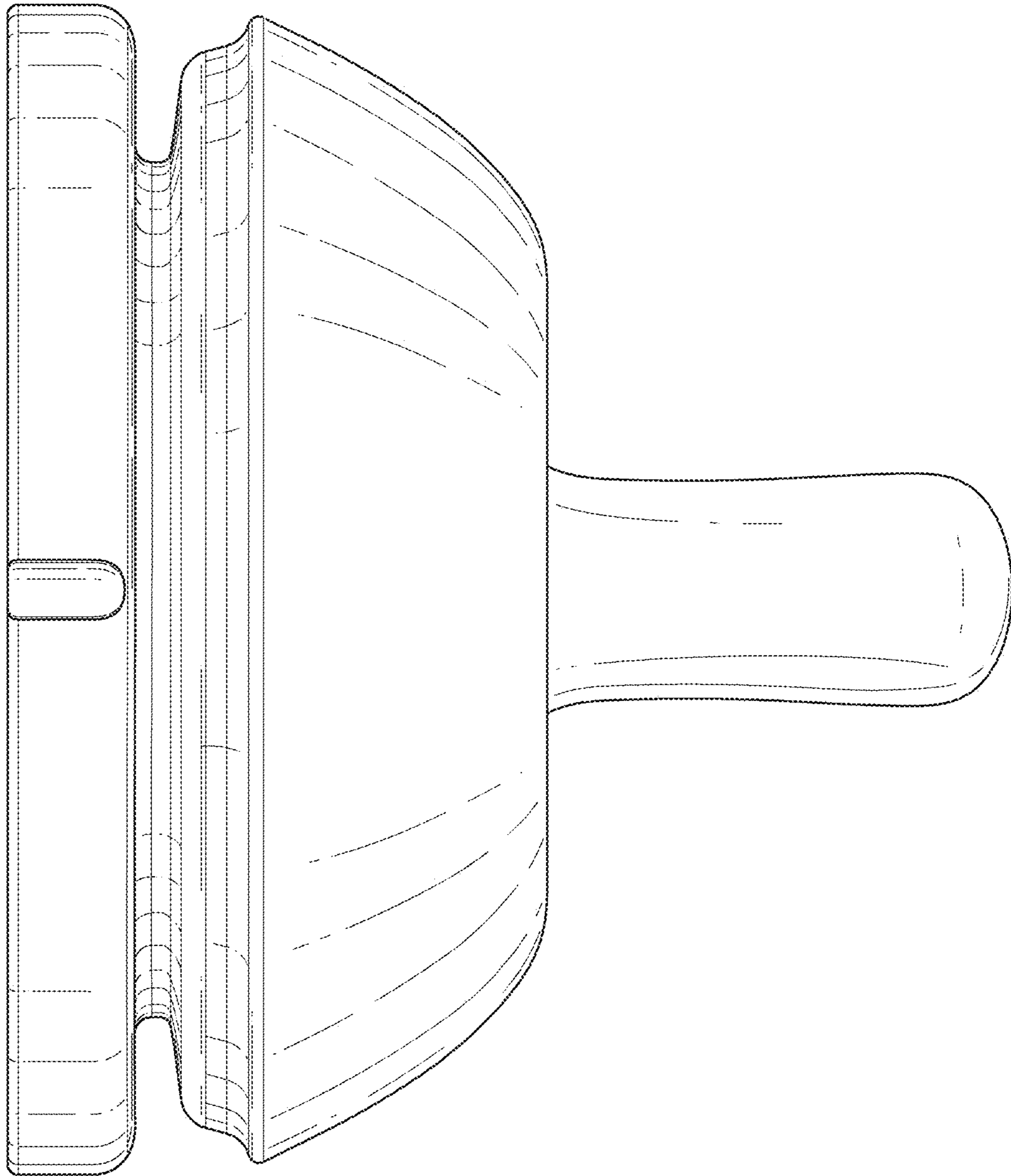


FIG. 5

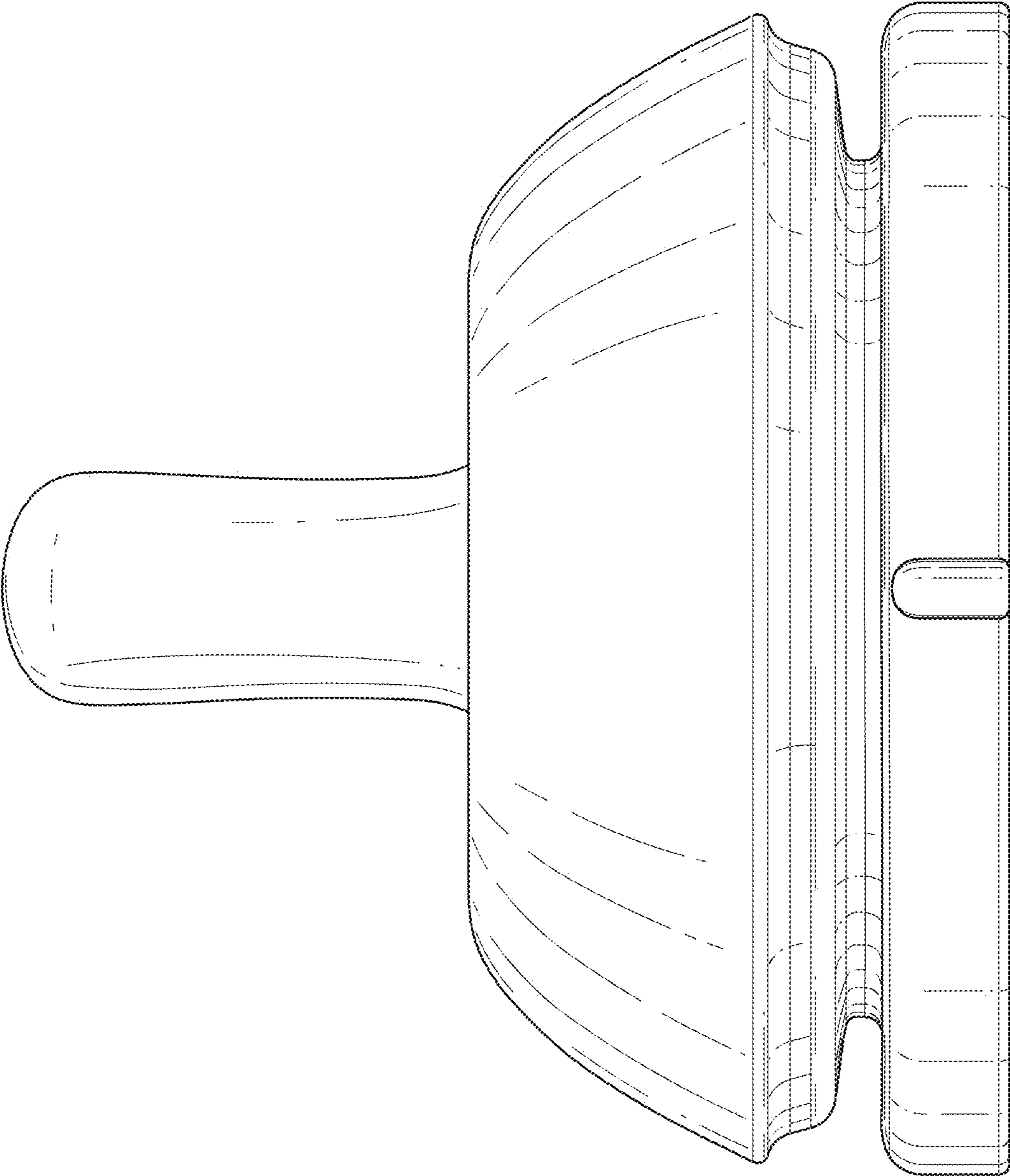


FIG. 6