



US00D890935S

(12) **United States Design Patent** (10) **Patent No.:** **US D890,935 S**  
**Nikoozadeh et al.** (45) **Date of Patent:** **\*\* Jul. 21, 2020**

(54) **ULTRASOUND PROBE AND REMOVABLE CAP IN COMBINATION**

(71) Applicant: **Vave Health, Inc.**, Redwood City, CA (US)

(72) Inventors: **Amin Nikoozadeh**, Redwood City, CA (US); **Salomon Durrani**, Redwood City, CA (US); **Ruby Gill**, Redwood City, CA (US); **Caroline D. Zeisbrich**, Redwood City, CA (US); **Bret Recor**, Redwood City, CA (US); **Merric French**, Redwood City, CA (US); **Charles Weber**, Redwood City, CA (US); **Kenneth Young**, Redwood City, CA (US); **Ahyoung Park**, Redwood City, CA (US); **Virosh Rangalla**, Redwood City, CA (US)

(73) Assignee: **VALVE HEALTH, INC.**, Redwood City, CA (US)

(\*\*) Term: **15 Years**

(21) Appl. No.: **29/677,573**

(22) Filed: **Jan. 22, 2019**

(51) **LOC (12) Cl.** ..... **24-01**

(52) **U.S. Cl.**  
USPC ..... **D24/187**; D24/186

(58) **Field of Classification Search**  
USPC ..... D24/133, 137, 158, 186, 187, 138;  
D10/78

CPC ..... A61B 8/445; A61B 8/4455; A61B 8/4461;  
A61B 8/12

See application file for complete search history.

(56) **References Cited**

U.S. PATENT DOCUMENTS

D389,919 S *	1/1998	Ninomiya	.....	D24/186
D770,629 S *	11/2016	Nieminen	.....	D24/187
D770,630 S *	11/2016	Nieminen	.....	D24/187
D862,710 S *	10/2019	Moon	.....	D24/187
D865,973 S *	11/2019	Chamberlain	.....	D24/187
2014/0180116 A1 *	6/2014	Lindekugel	.....	A61B 8/4281 600/461

\* cited by examiner

*Primary Examiner* — Anhdao Doan

(74) *Attorney, Agent, or Firm* — Wilson Sonsini Goodrich & Rosati

(57) **CLAIM**

The ornamental design for an ultrasound probe and removable cap in combination, as shown and described.

**DESCRIPTION**

FIG. 1 FIG. 1 is a top, right perspective view of an ultrasound probe and removable cap in combination showing our new design;

FIG. 2 is a front view thereof;

FIG. 3 is a back view thereof;

FIG. 4 is a left side elevational view thereof;

FIG. 5 is a right side elevational view thereof;

FIG. 6 is a top plan view thereof;

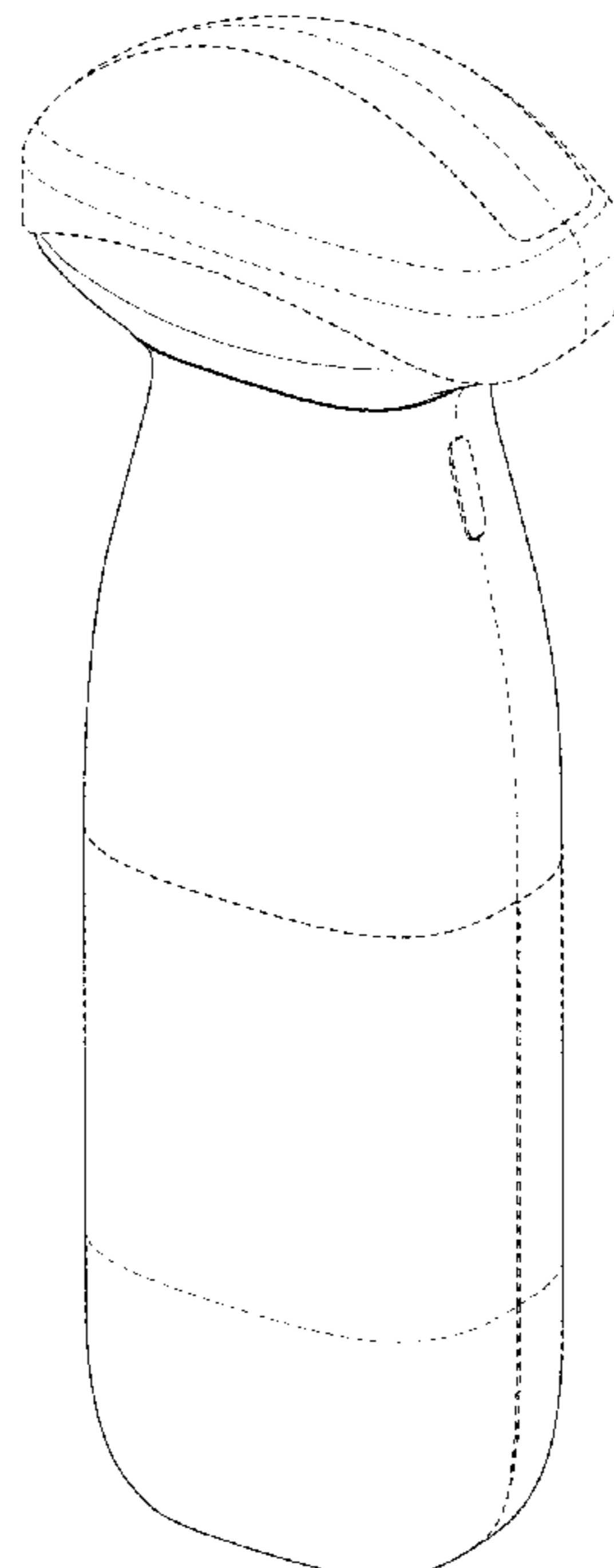
FIG. 7 is a bottom plan view thereof;

FIG. 8 is a top, right perspective view thereof in an exploded configuration; and,

FIG. 9 is a top, left perspective view thereof.

The broken lines in the drawings represent portions of the ultrasound probe that form no part of the claimed design.

**1 Claim, 9 Drawing Sheets**



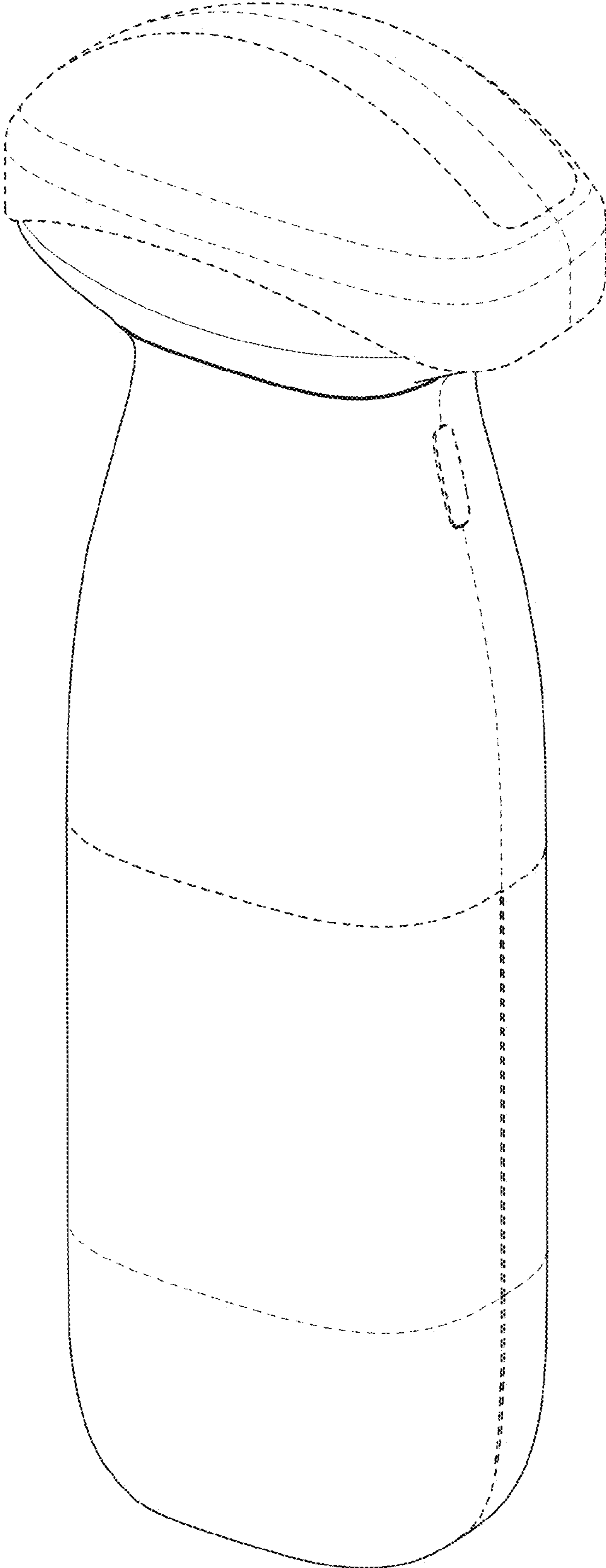


FIG. 1

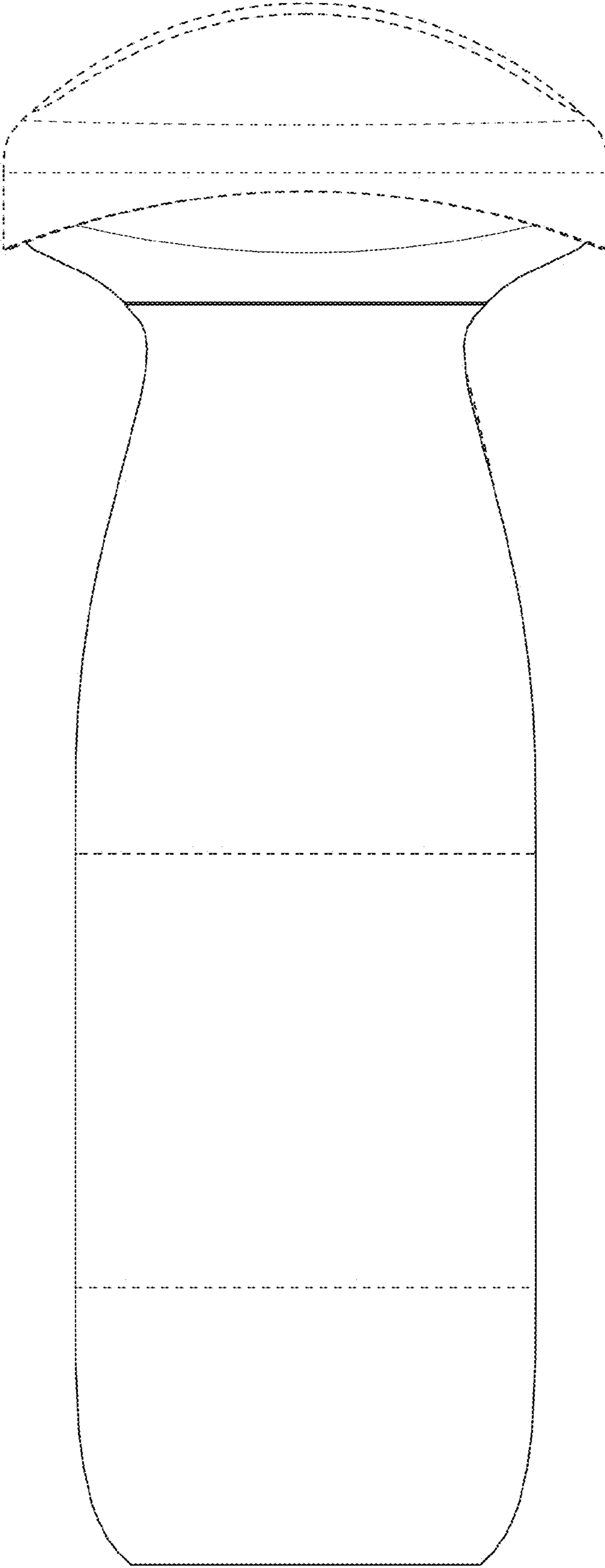


FIG. 2

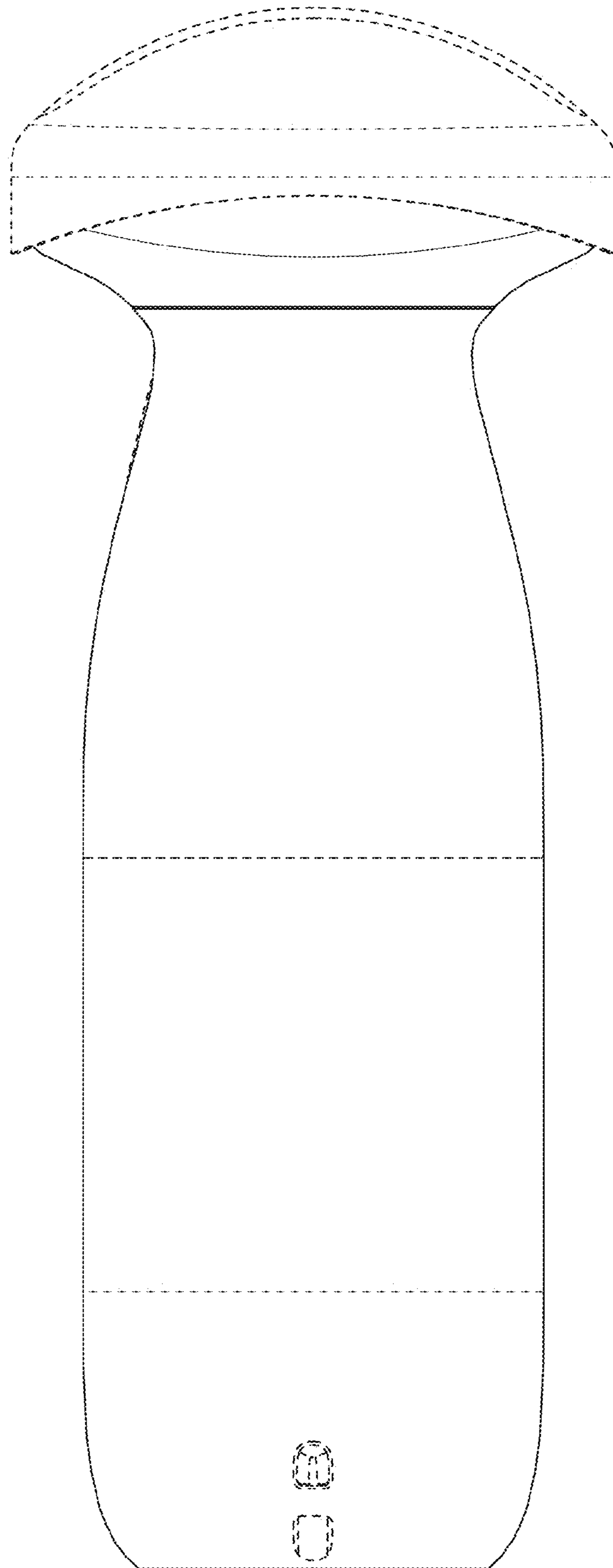


FIG. 3

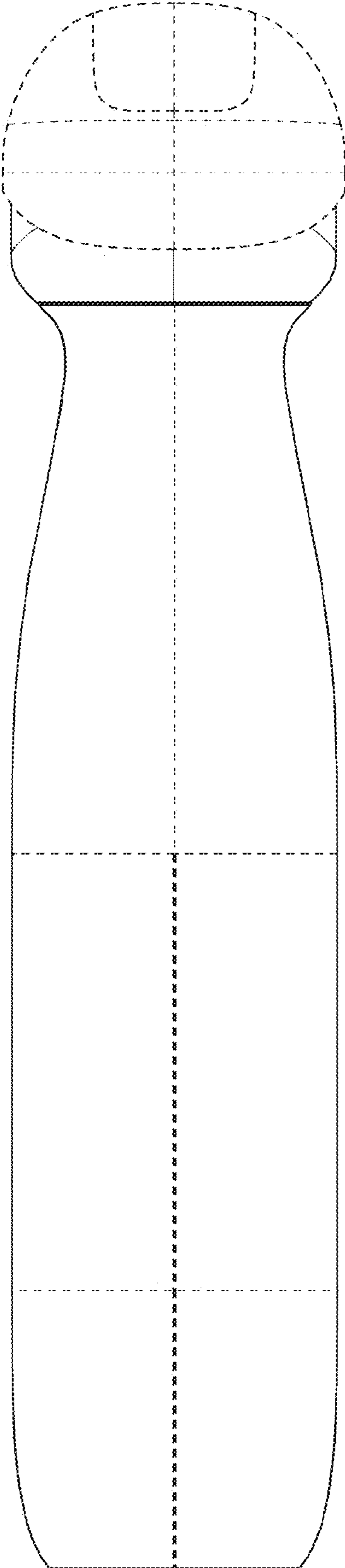


FIG. 4

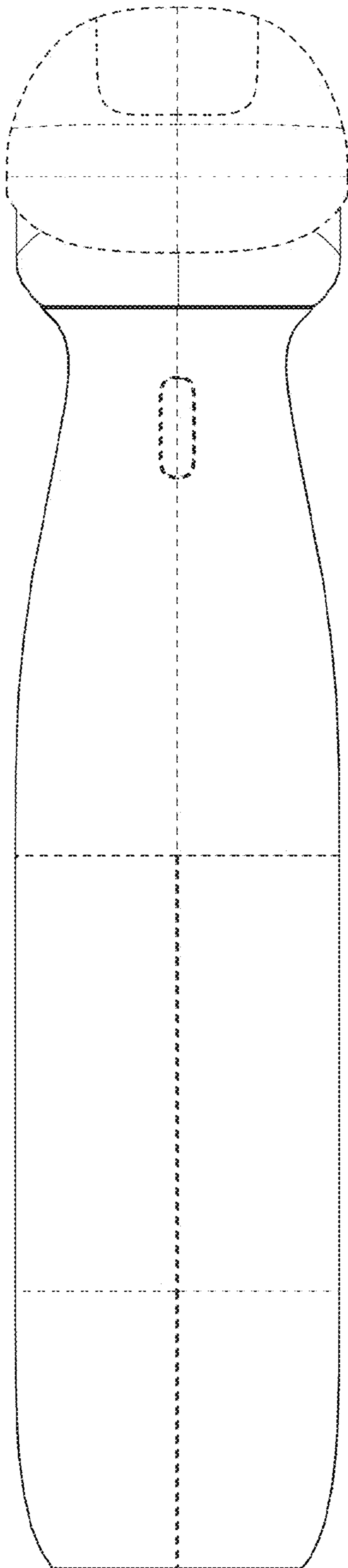


FIG. 5

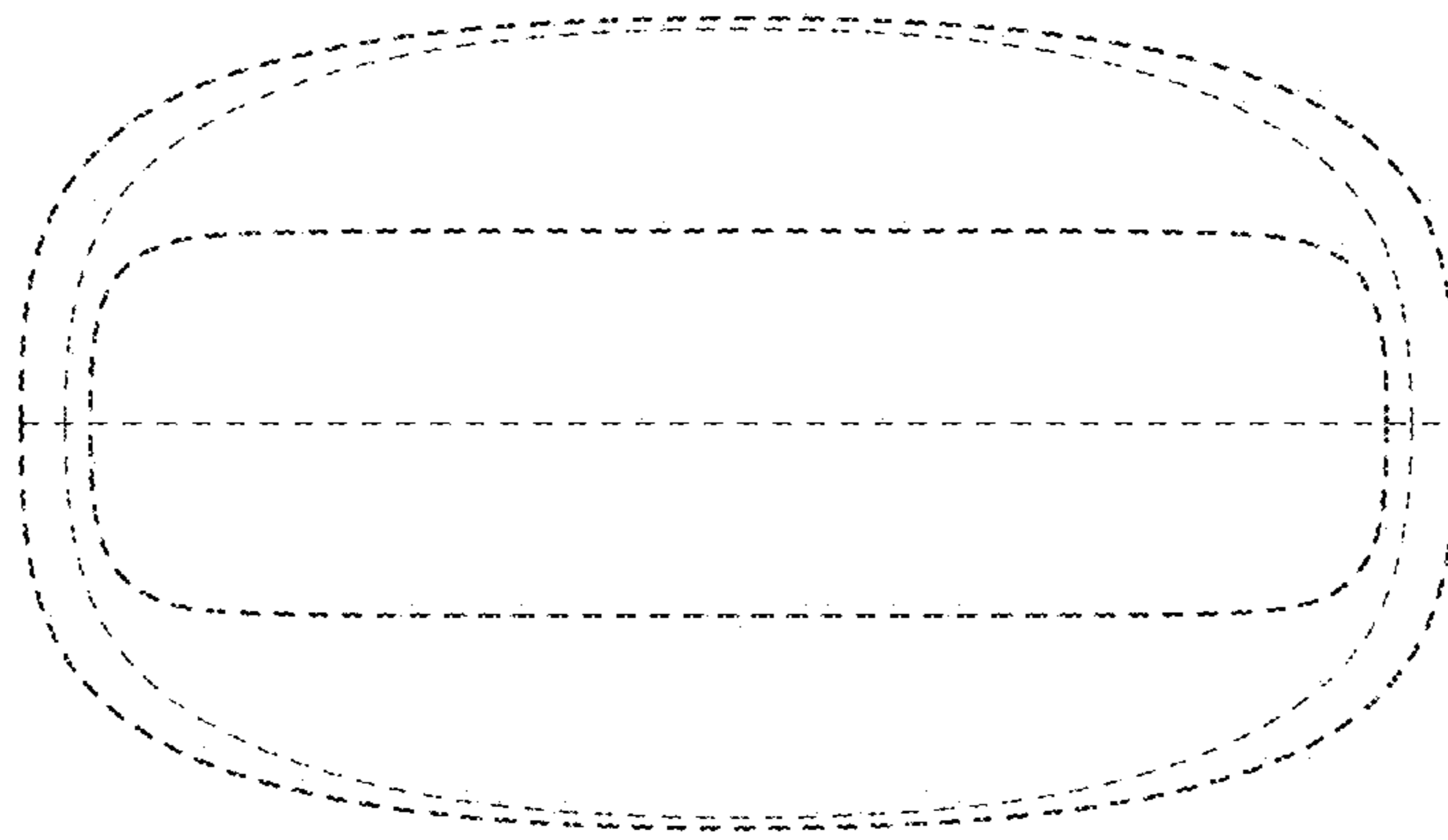


FIG. 6

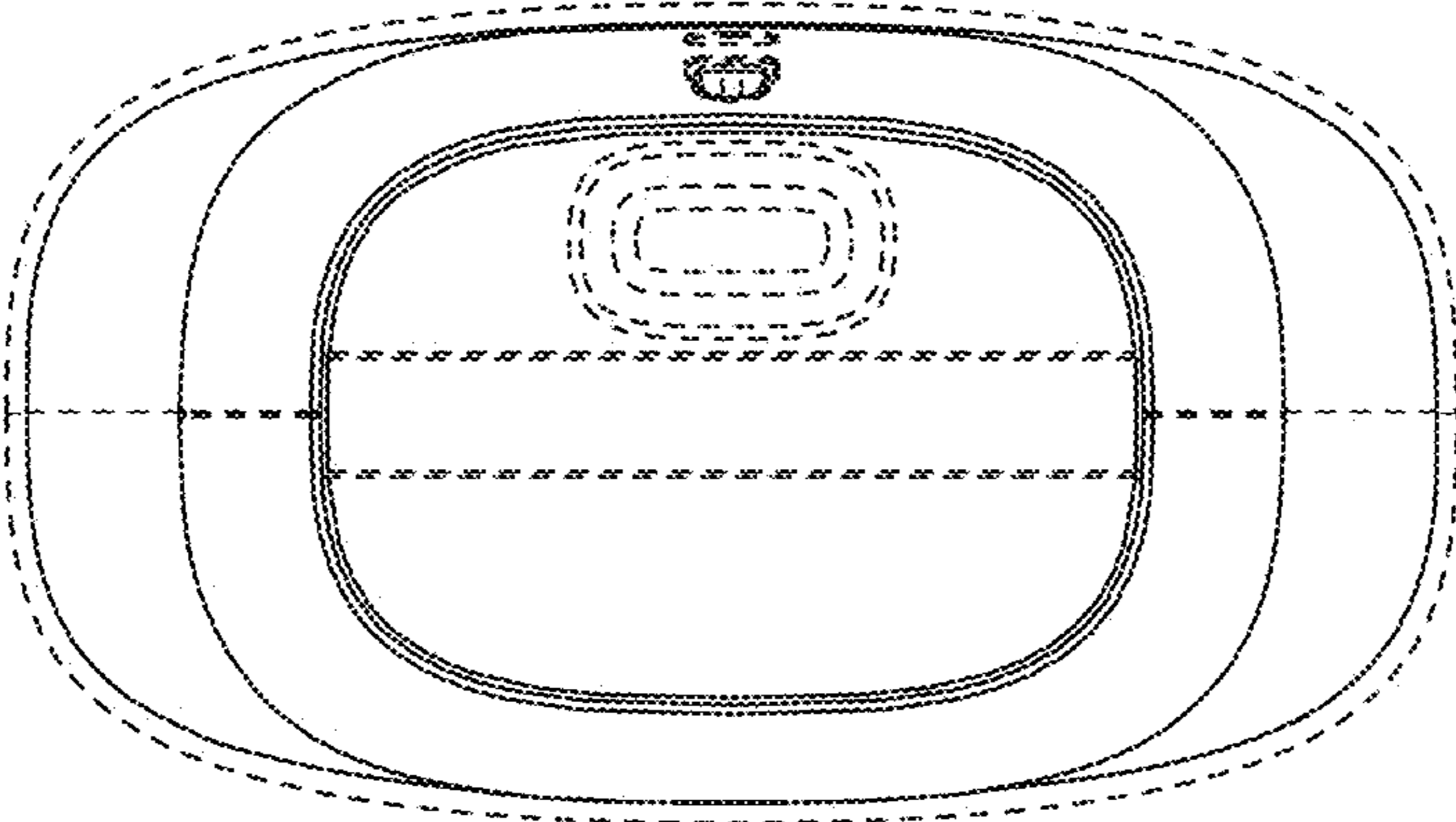


FIG. 7



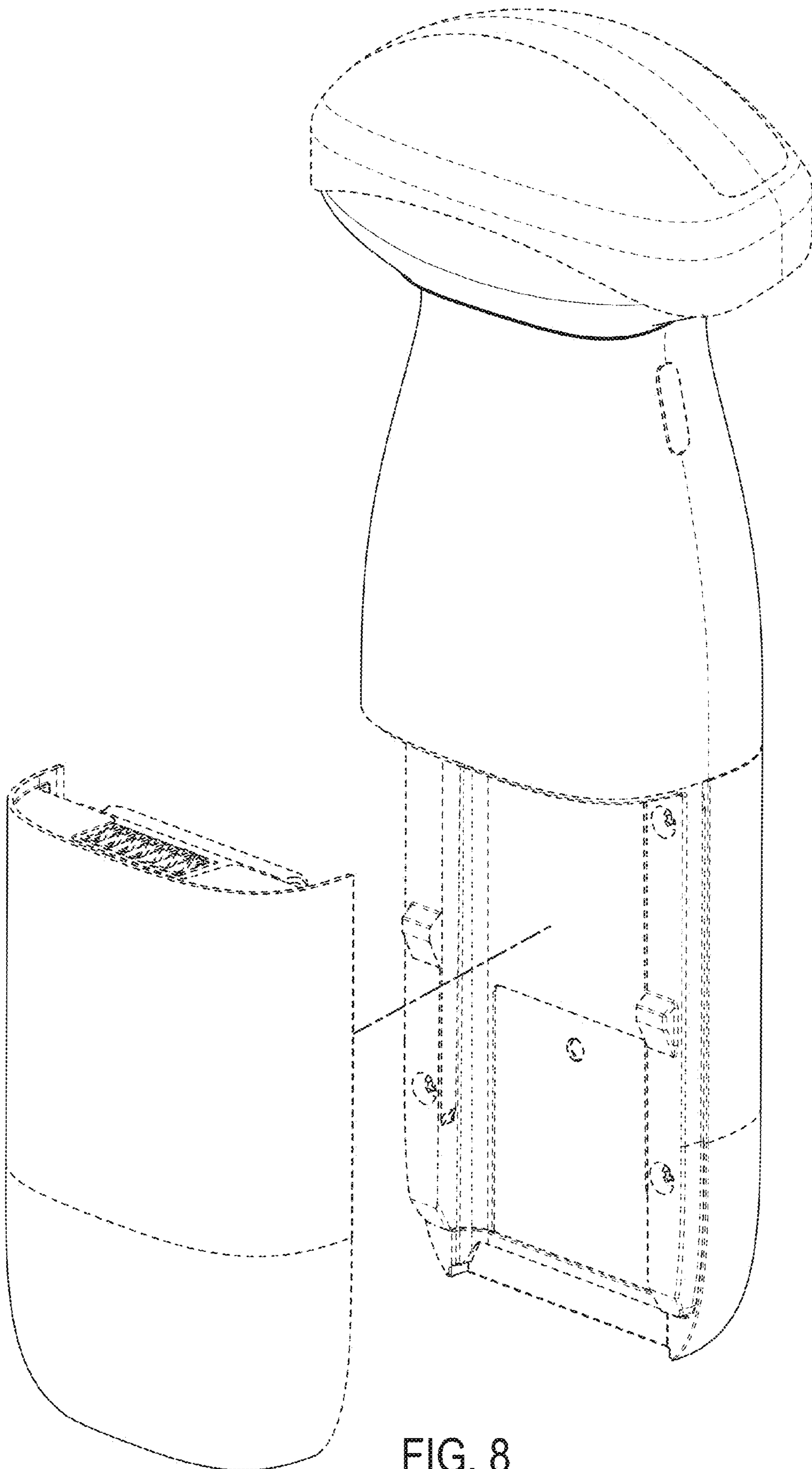


FIG. 8

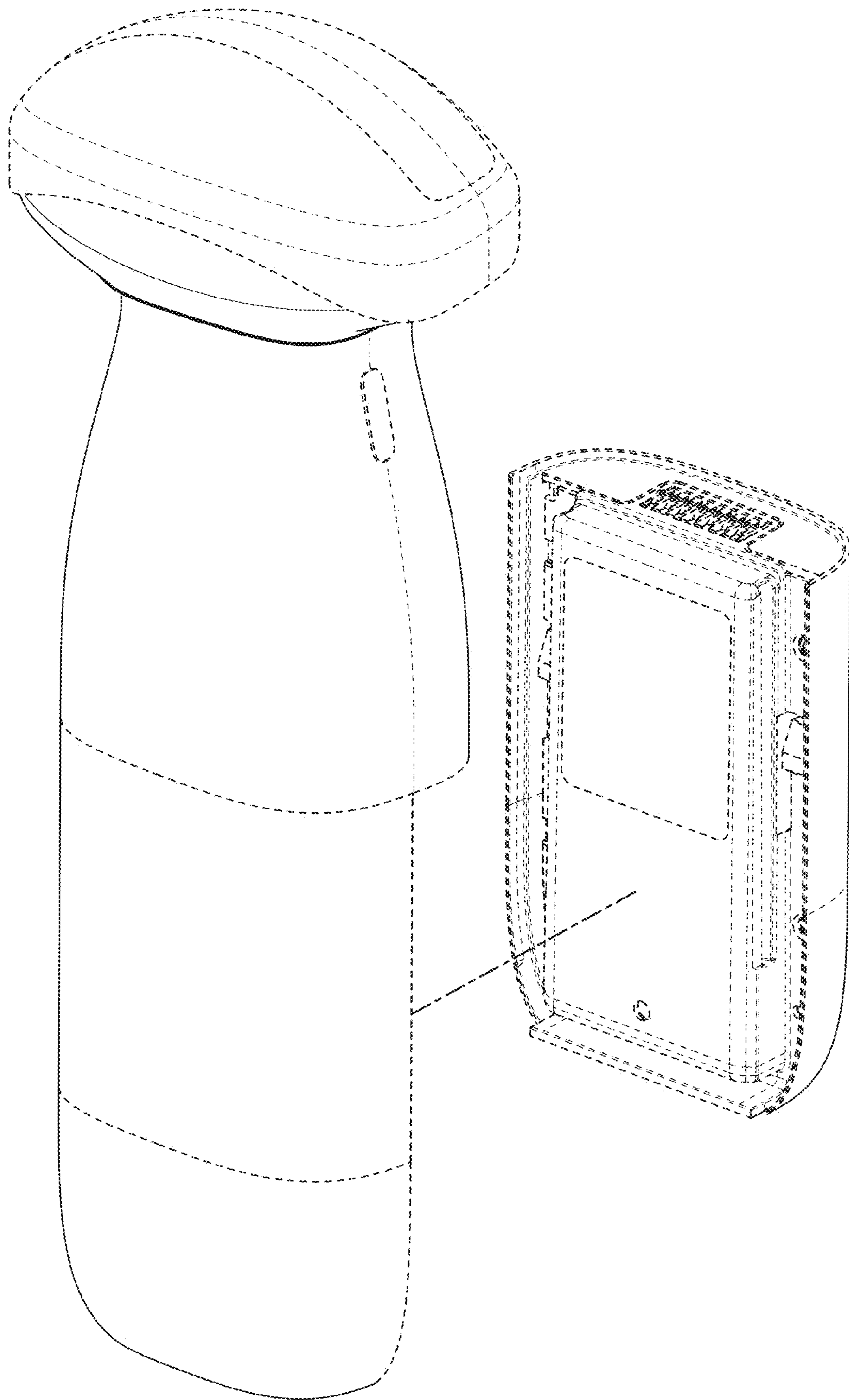


FIG. 9

UNITED STATES PATENT AND TRADEMARK OFFICE  
**CERTIFICATE OF CORRECTION**

PATENT NO. : D890,935 S  
APPLICATION NO. : 29/677573  
DATED : July 21, 2020  
INVENTOR(S) : Amin Nikoozadeh et al.

Page 1 of 1

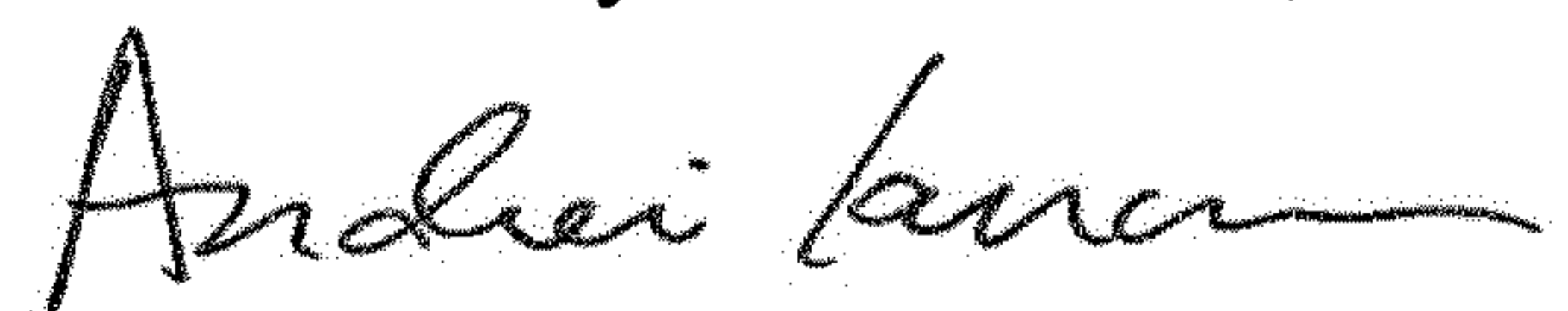
It is certified that error appears in the above-identified patent and that said Letters Patent is hereby corrected as shown below:

On the Title Page

Item (73) In the Assignee section, delete "VALVE HEALTH, INC." and replace with --VAVE HEALTH, INC.--.

At Line 1 of the DESCRIPTION, delete "FIG. 1 FIG. 1" and replace with --FIG. 1--.

Signed and Sealed this  
Fifteenth Day of December, 2020



Andrei Iancu  
*Director of the United States Patent and Trademark Office*