



US00D890934S

(12) **United States Design Patent** (10) **Patent No.:** **US D890,934 S**
Nikoozadeh et al. (45) **Date of Patent:** **** *Jul. 21, 2020**

(54) **ULTRASOUND PROBE AND REMOVABLE CAP IN COMBINATION**

(71) Applicant: **Vave Health, Inc.**, Redwood City, CA (US)

(72) Inventors: **Amin Nikoozadeh**, Redwood City, CA (US); **Salomon Durrani**, Redwood City, CA (US); **Ruby Gill**, Redwood City, CA (US); **Caroline D. Zeisbrich**, Redwood City, CA (US); **Bret Recor**, Redwood City, CA (US); **Merric French**, Redwood City, CA (US); **Charles Weber**, Redwood City, CA (US); **Kenneth Young**, Redwood City, CA (US); **Ahyoung Park**, Redwood City, CA (US); **Virosh Rangalla**, Redwood City, CA (US)

(73) Assignee: **VAVE HEALTH, INC.**, Redwood City, CA (US)

(*) Notice: This patent is subject to a terminal disclaimer.

(**) Term: **15 Years**

(21) Appl. No.: **29/677,570**

(22) Filed: **Jan. 22, 2019**

(51) **LOC (12) Cl.** **24-01**

(52) **U.S. Cl.**
USPC **D24/187**; D24/186

(58) **Field of Classification Search**
USPC D24/133, 137, 158, 186, 187, 138;
D10/78
CPC A61B 8/445; A61B 8/4455; A61B 8/4461;
A61B 8/12

See application file for complete search history.

(56) **References Cited**

U.S. PATENT DOCUMENTS

D389,919	S	*	1/1998	Ninomiya	D24/186
D770,629	S	*	11/2016	Nieminen	D24/187
D770,630	S	*	11/2016	Nieminen	D24/187
D862,710	S	*	10/2019	Moon	D24/187
D865,973	S	*	11/2019	Chamberlain	D24/187
2014/0180116	A1	*	6/2014	Lindekugel	A61B 8/4281 600/461

* cited by examiner

Primary Examiner — Anhdao Doan
(74) *Attorney, Agent, or Firm* — Wilson Sonsini Goodrich & Rosati

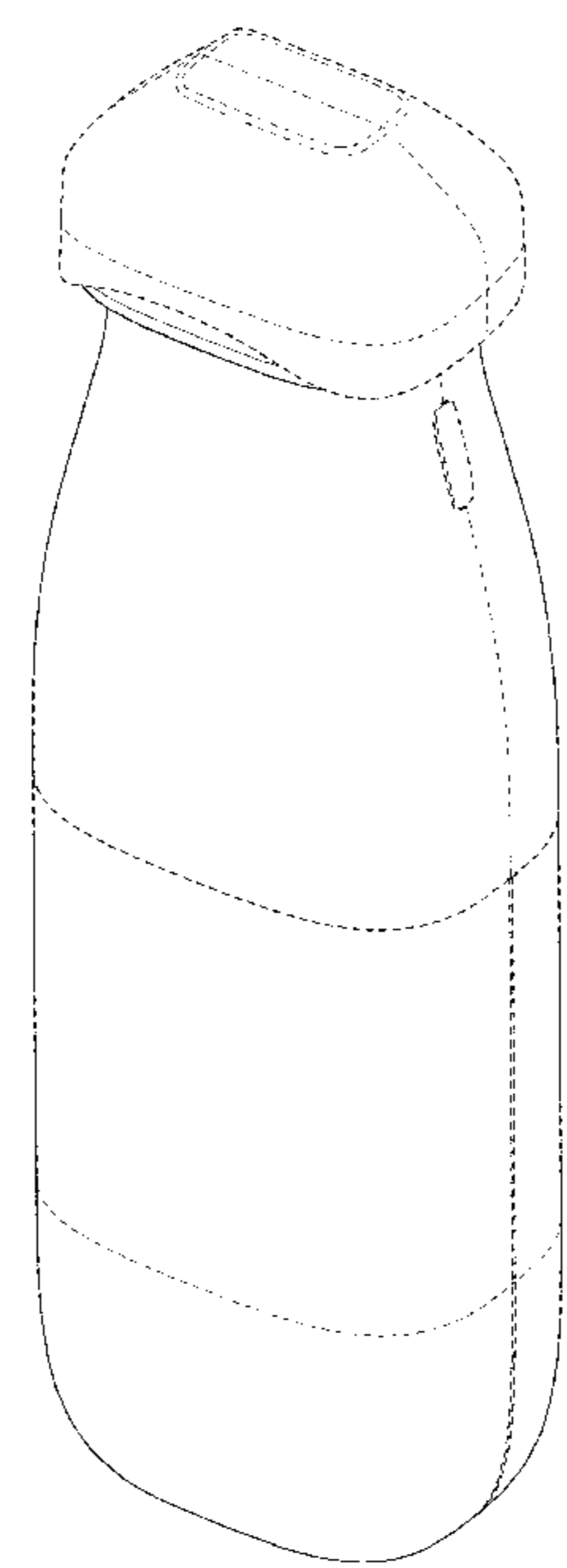
(57) **CLAIM**

The ornamental design for an ultrasound probe and removable cap in combination, as shown and described.

DESCRIPTION

FIG. 1 is a top, right perspective view of an ultrasound probe and removable cap in combination showing our new design; FIG. 2 is a front view thereof; FIG. 3 is a back view thereof; FIG. 4 is a left side elevational view thereof; FIG. 5 is a right side elevational view thereof; FIG. 6 is a top plan view thereof; FIG. 7 is a bottom plan view thereof; FIG. 8 is a top, right perspective view thereof in an exploded configuration; and, FIG. 9 is a top, left perspective view thereof. The broken lines in the drawings represent portions of the ultrasound probe that form no part of the claimed design.

1 Claim, 9 Drawing Sheets



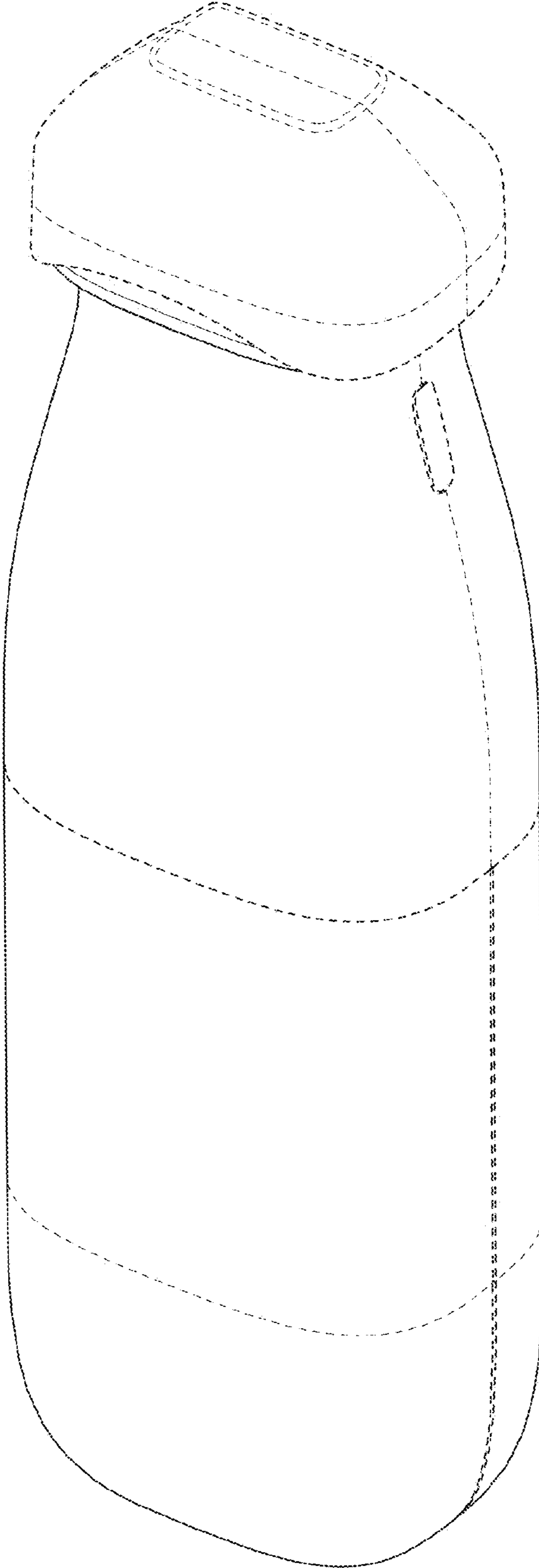


FIG. 1

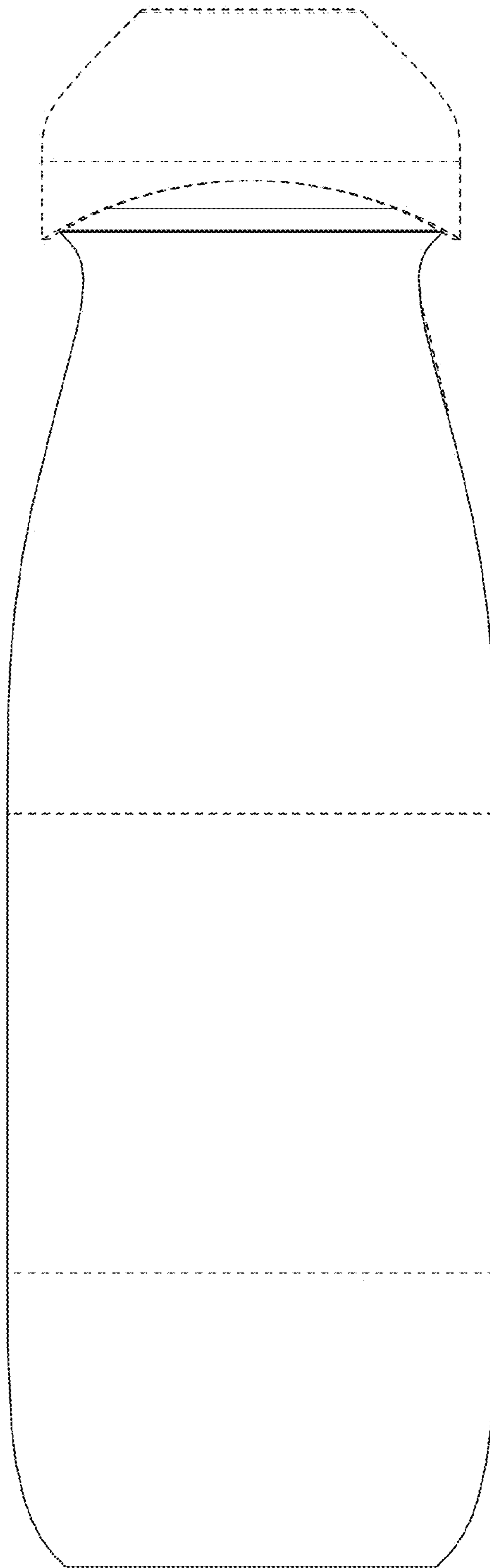


FIG. 2

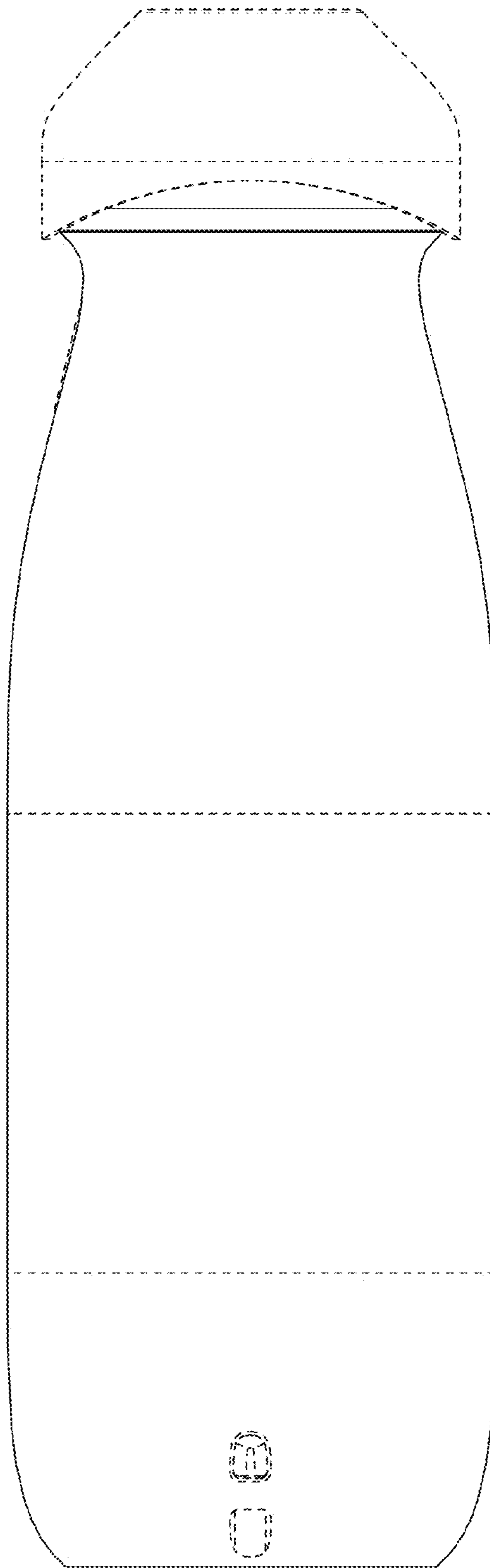


FIG. 3

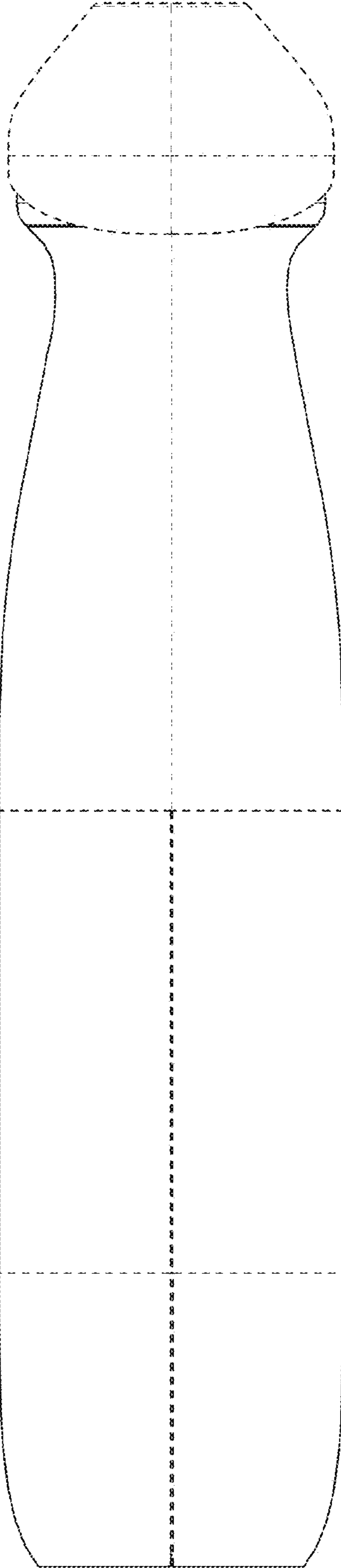


FIG. 4

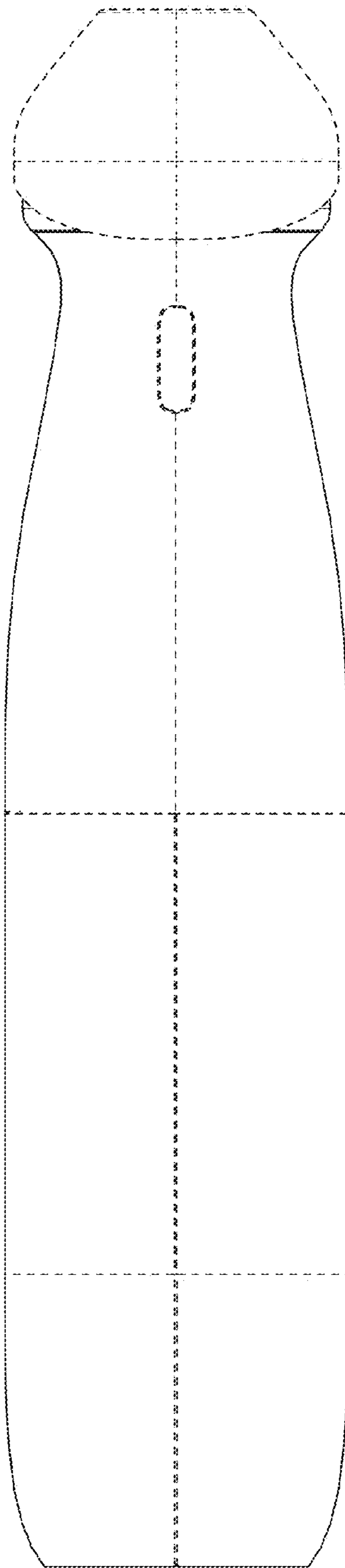


FIG. 5

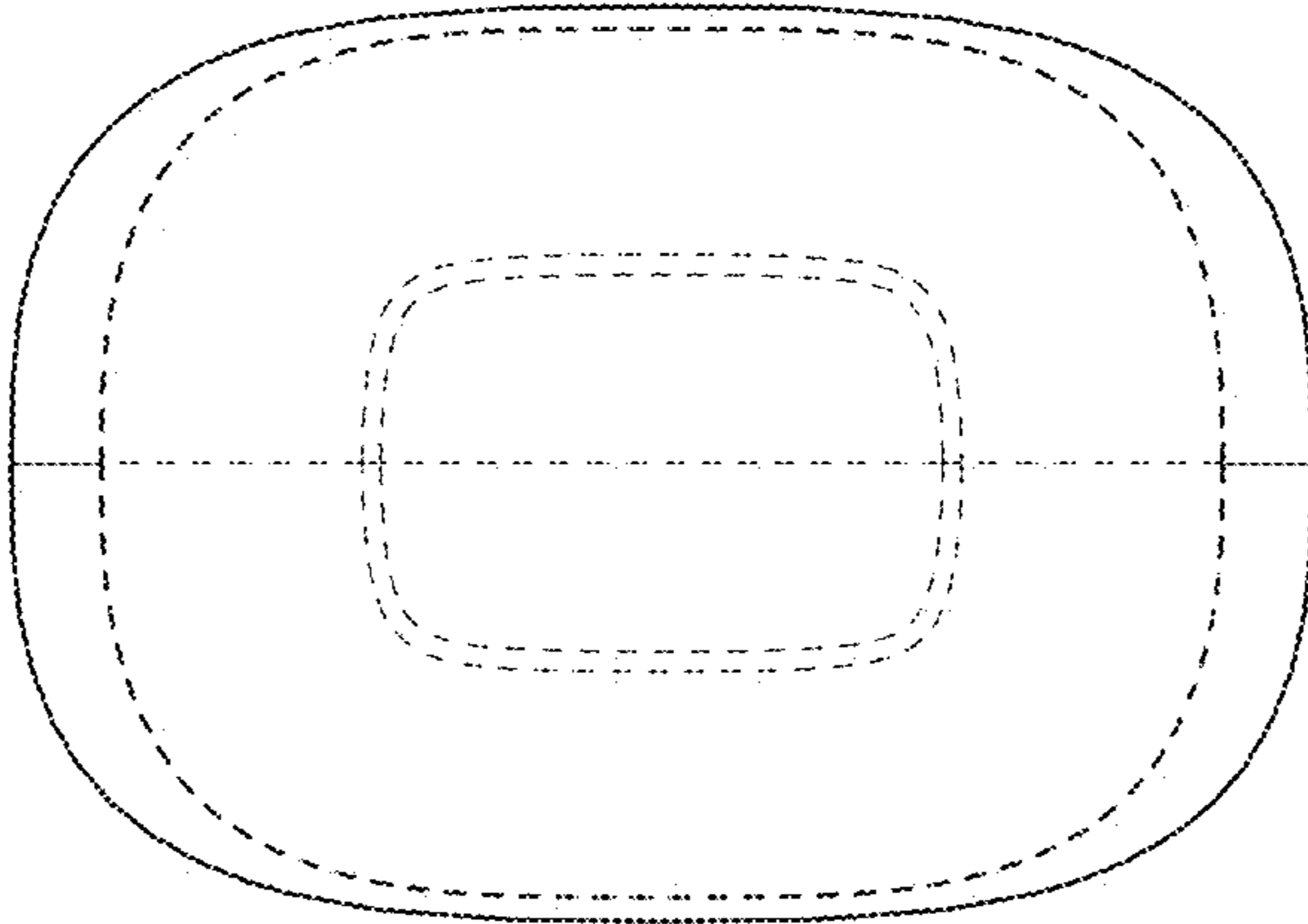


FIG. 6

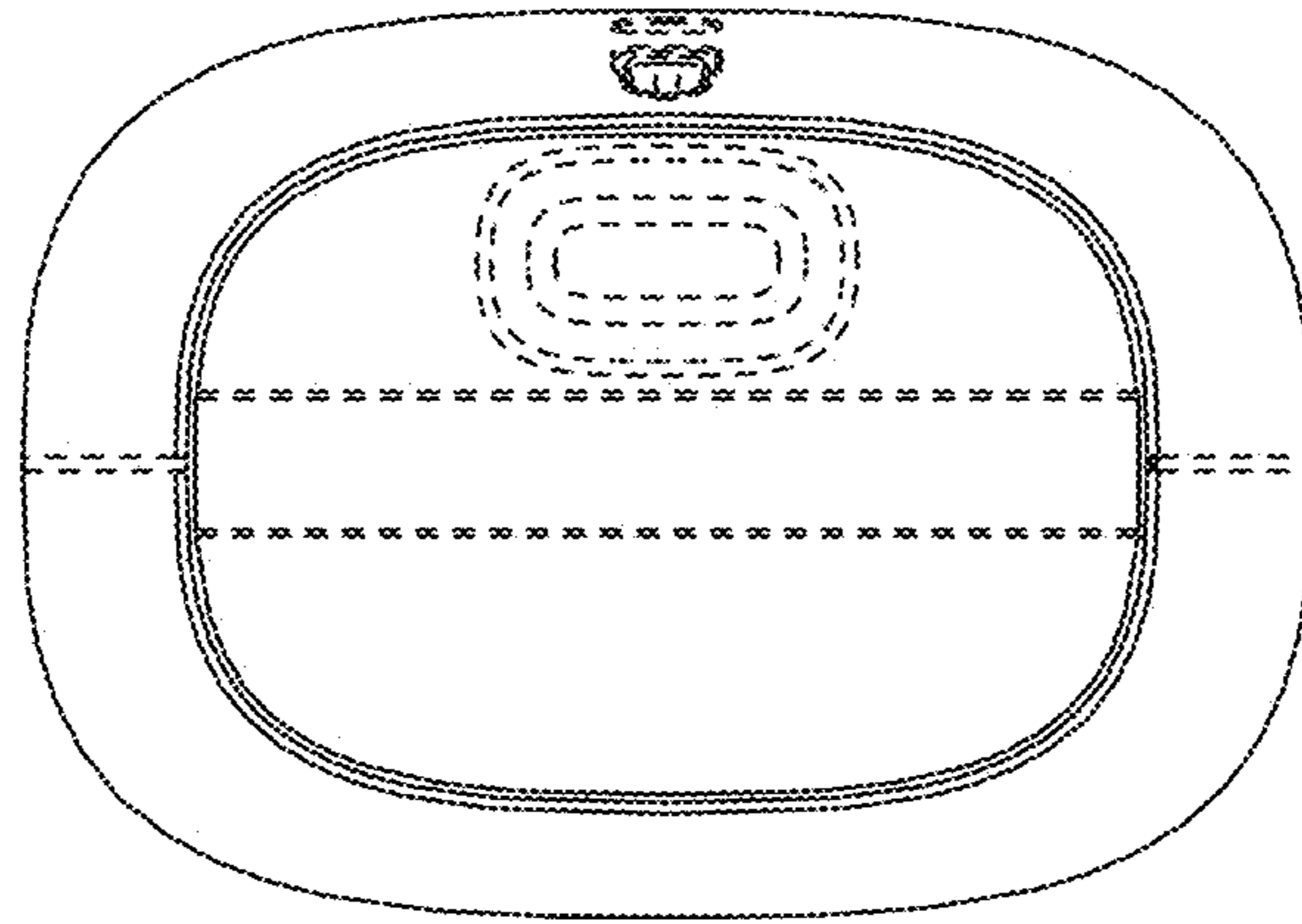


FIG. 7

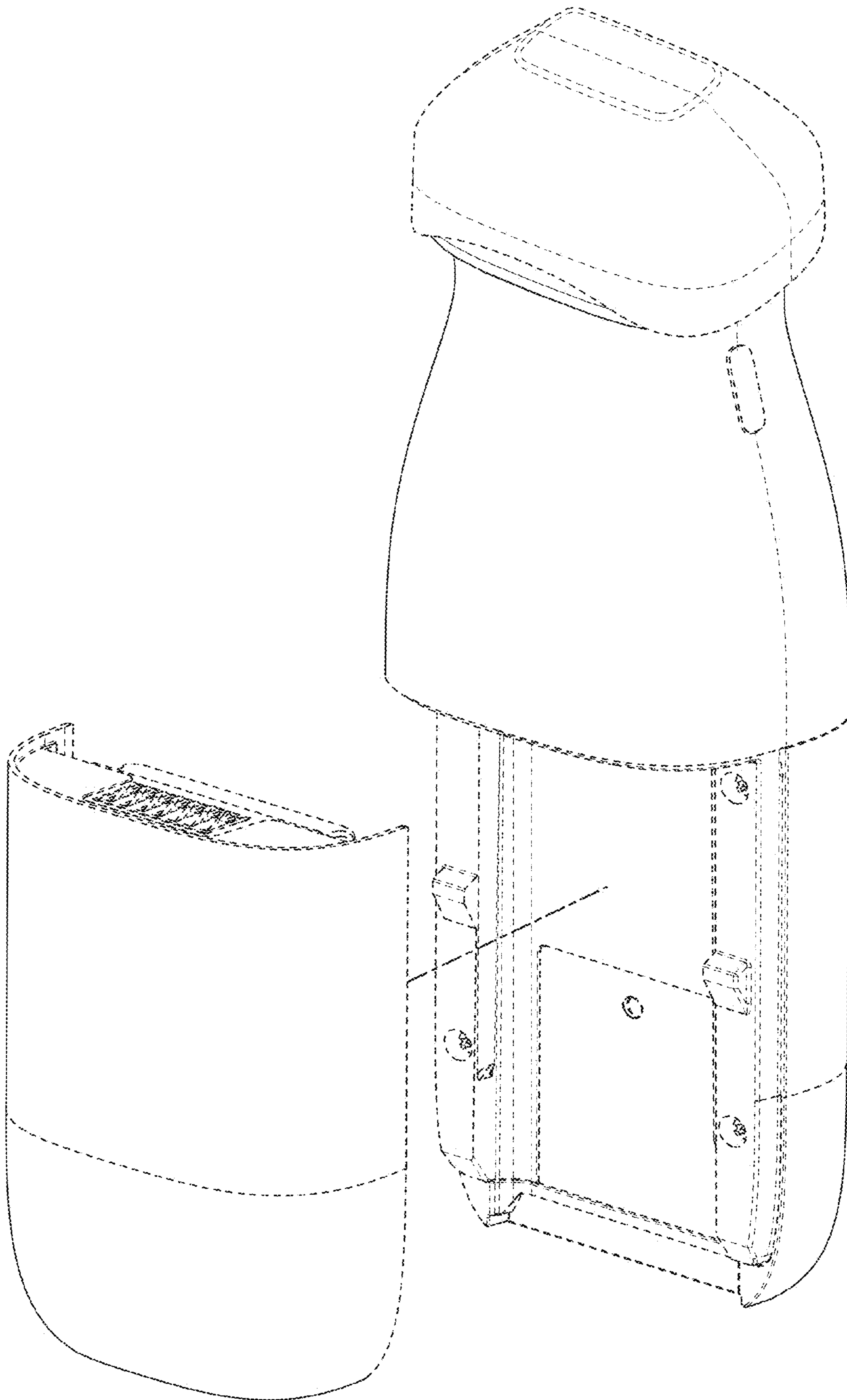


FIG. 8

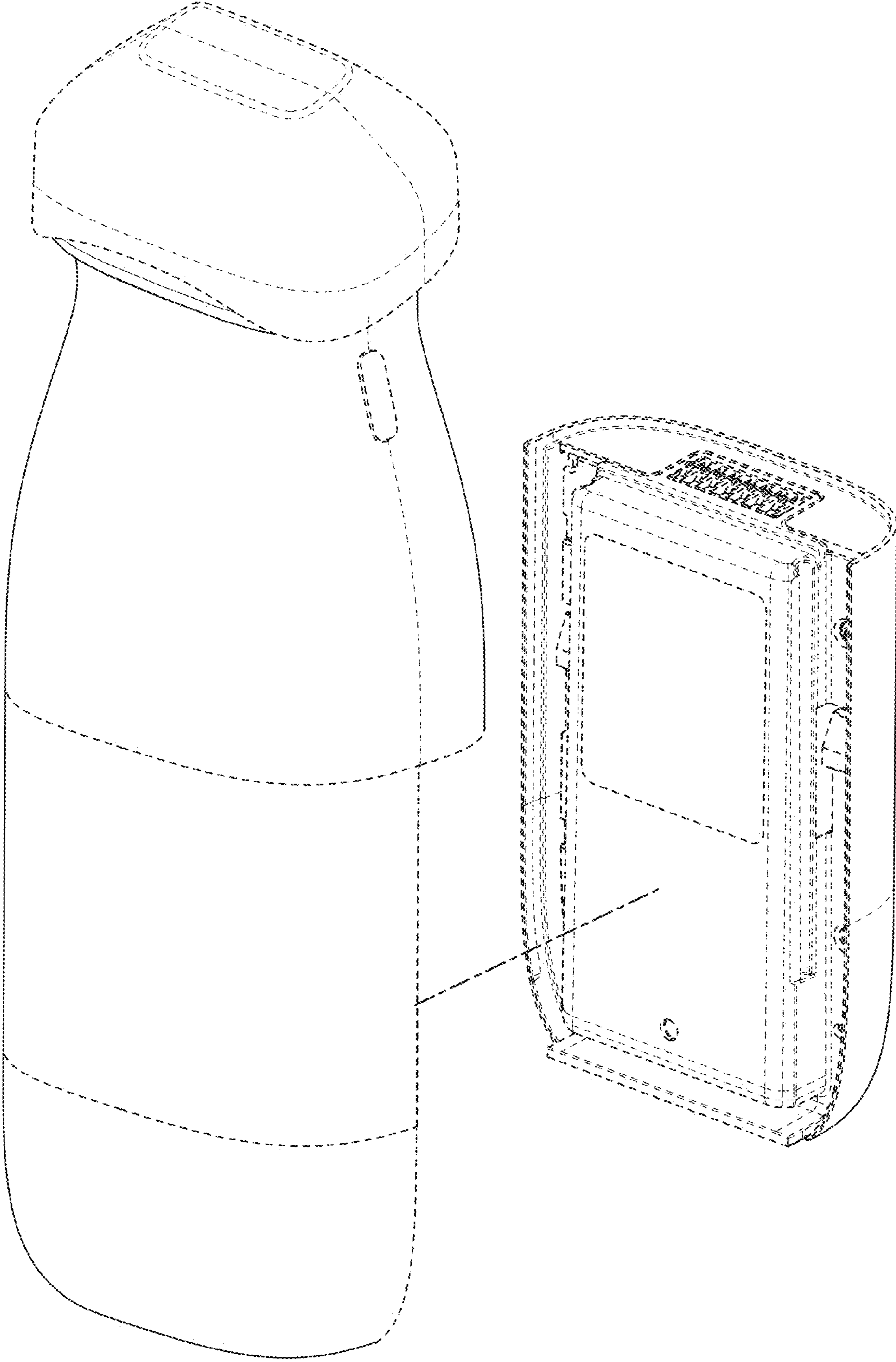


FIG. 9