



US00D890933S

(12) **United States Design Patent** (10) **Patent No.:** **US D890,933 S**  
**Shurtliff et al.** (45) **Date of Patent:** **\*\* Jul. 21, 2020**

- (54) **MEDICAL ARM BAND**
- (71) Applicant: **Monovo LLC**, Orem, UT (US)
- (72) Inventors: **Jarom Shurtliff**, Millcreek, UT (US);  
**Jonathan Muñoz**, West Jordan, UT (US);  
**Steven Taylor**, Millcreek, UT (US)
- (73) Assignee: **MONOVO LLC**, Orem, UT (US)
- (\*\*) Term: **15 Years**
- (21) Appl. No.: **29/656,436**
- (22) Filed: **Jul. 12, 2018**
- (51) **LOC (12) Cl.** ..... **24-01**
- (52) **U.S. Cl.**  
USPC ..... **D24/186; D24/167**
- (58) **Field of Classification Search**  
USPC .... D24/107, 167, 186, 187; D10/30, 31, 32,  
D10/38, 70, 75, 98, 97; D14/344  
CPC ..... A61B 5/6801; A61B 5/681; A61B 5/6819;  
A61B 5/6823; A61B 5/6824; A61B  
5/02405; A61B 5/02427; A61B 5/02438;  
A61B 5/0245; A61B 5/0402; A61B  
5/0404  
See application file for complete search history.

D810,737	S	*	2/2018	Cho	.....	D14/344
D838,853	S	*	1/2019	Lumme	.....	D24/167
2011/0209373	A1		9/2011	Padgett et al.		
2015/0309535	A1*		10/2015	Connor	.....	A61B 5/6831 361/679.03
2016/0022210	A1		1/2016	Nuovo et al.		
2016/0089042	A1		3/2016	Saponas et al.		
2016/0206277	A1		7/2016	Bidichandani et al.		
2018/0303419	A1*		10/2018	Munoz	.....	A61B 5/021

**OTHER PUBLICATIONS**

International Search Report and Written Opinion for application No. PCT/US18/25883, dated Jun. 28, 2018.

\* cited by examiner

*Primary Examiner* — Anhdao Doan

(74) *Attorney, Agent, or Firm* — Workman Nydegger

(57) **CLAIM**

The ornamental design for a medical arm band, as shown and described.

**DESCRIPTION**

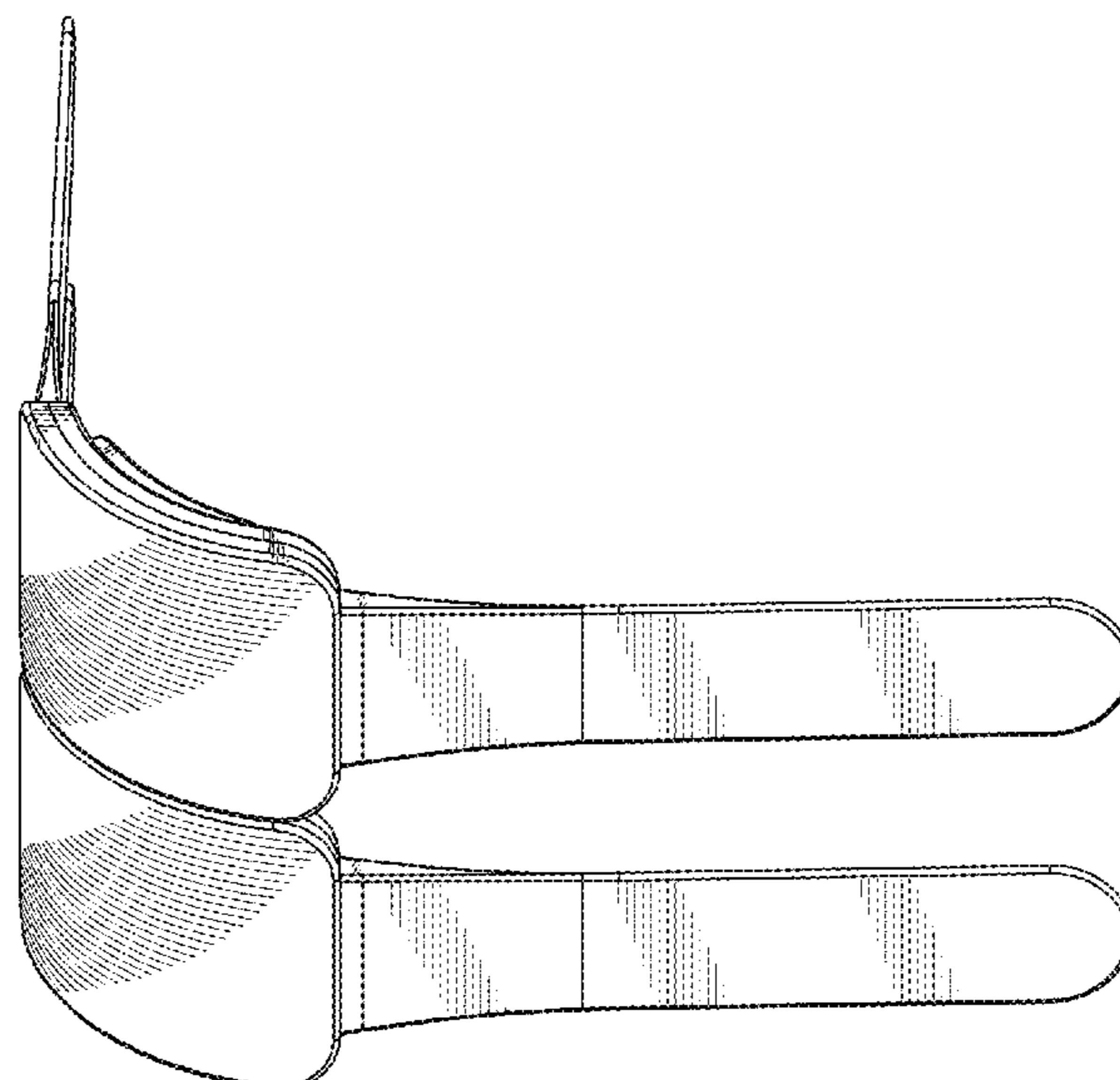
FIG. 1 is a perspective view of my new design for a medical arm band in a typical environment;  
 FIG. 2 is a front, right perspective view of my new design for a medical arm band;  
 FIG. 3 is a front elevation view thereof;  
 FIG. 4 is a rear elevation view thereof;  
 FIG. 5 is a top plan view thereof;  
 FIG. 6 is a bottom plan view thereof;  
 FIG. 7 is a right side elevation view thereof; and,  
 FIG. 8 is a left side elevation view thereof.  
 The broken lines in FIG. 1 depict environmental subject matter, and the broken lines in FIG. 4 depict portions of the medical arm band that form no part of the claimed design; the broken lines form no part of the claimed design.

**1 Claim, 4 Drawing Sheets**

(56) **References Cited**

**U.S. PATENT DOCUMENTS**

6,132,383	A	*	10/2000	Chesney	.....	A61B 5/022 600/485
D439,981	S	*	4/2001	Kasabach	.....	D24/186
D715,446	S	*	10/2014	Lee	.....	D24/167
D753,314	S	*	4/2016	Stivoric	.....	D24/187
D764,323	S	*	8/2016	Yang	.....	D10/38
D768,300	S	*	10/2016	Felix	.....	D14/344
D772,867	S	*	11/2016	Park	.....	D10/39
D772,869	S	*	11/2016	Iizuka	.....	D10/39
D794,013	S	*	8/2017	Heck	.....	D11/5



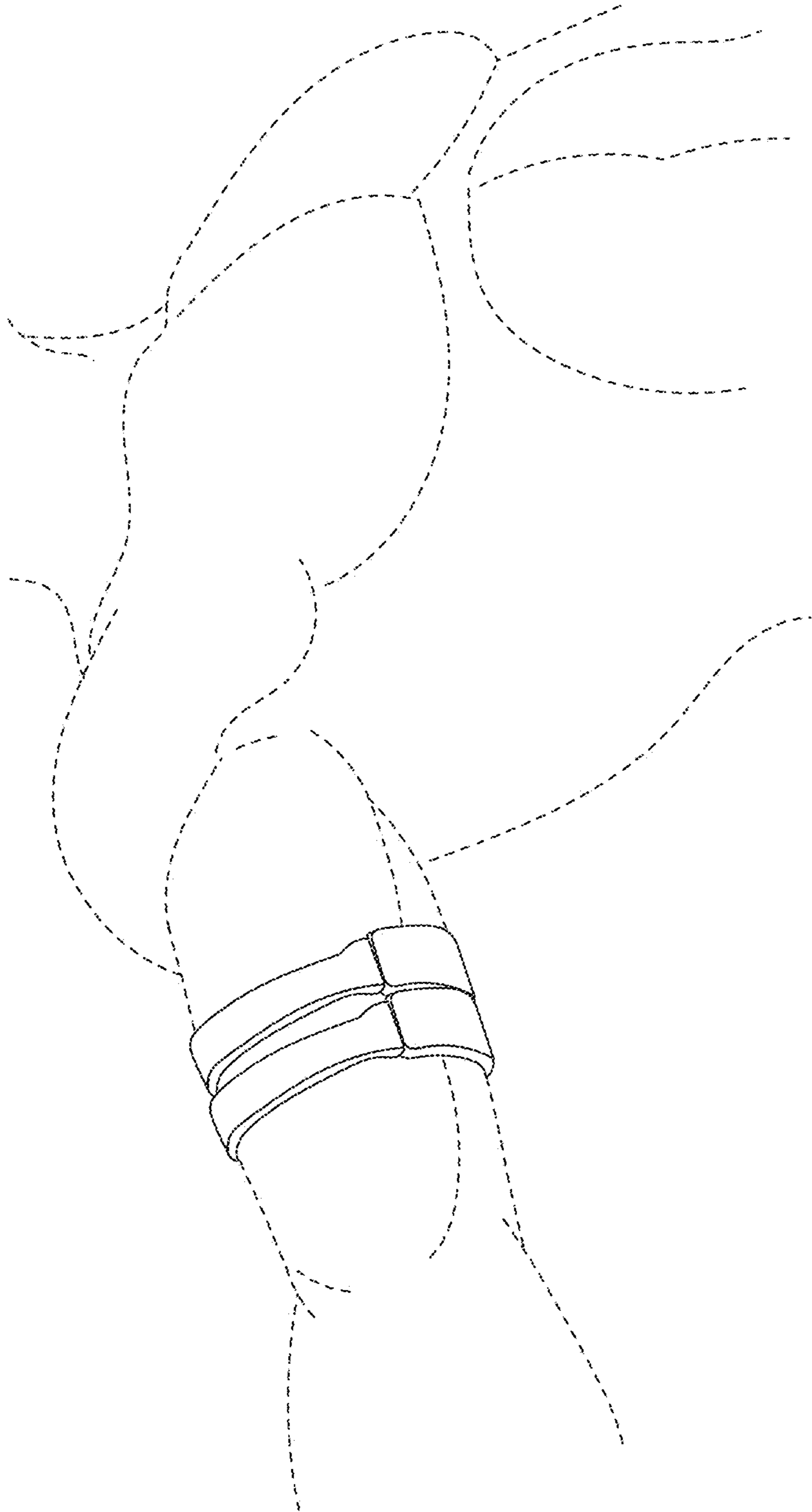


FIG. 1

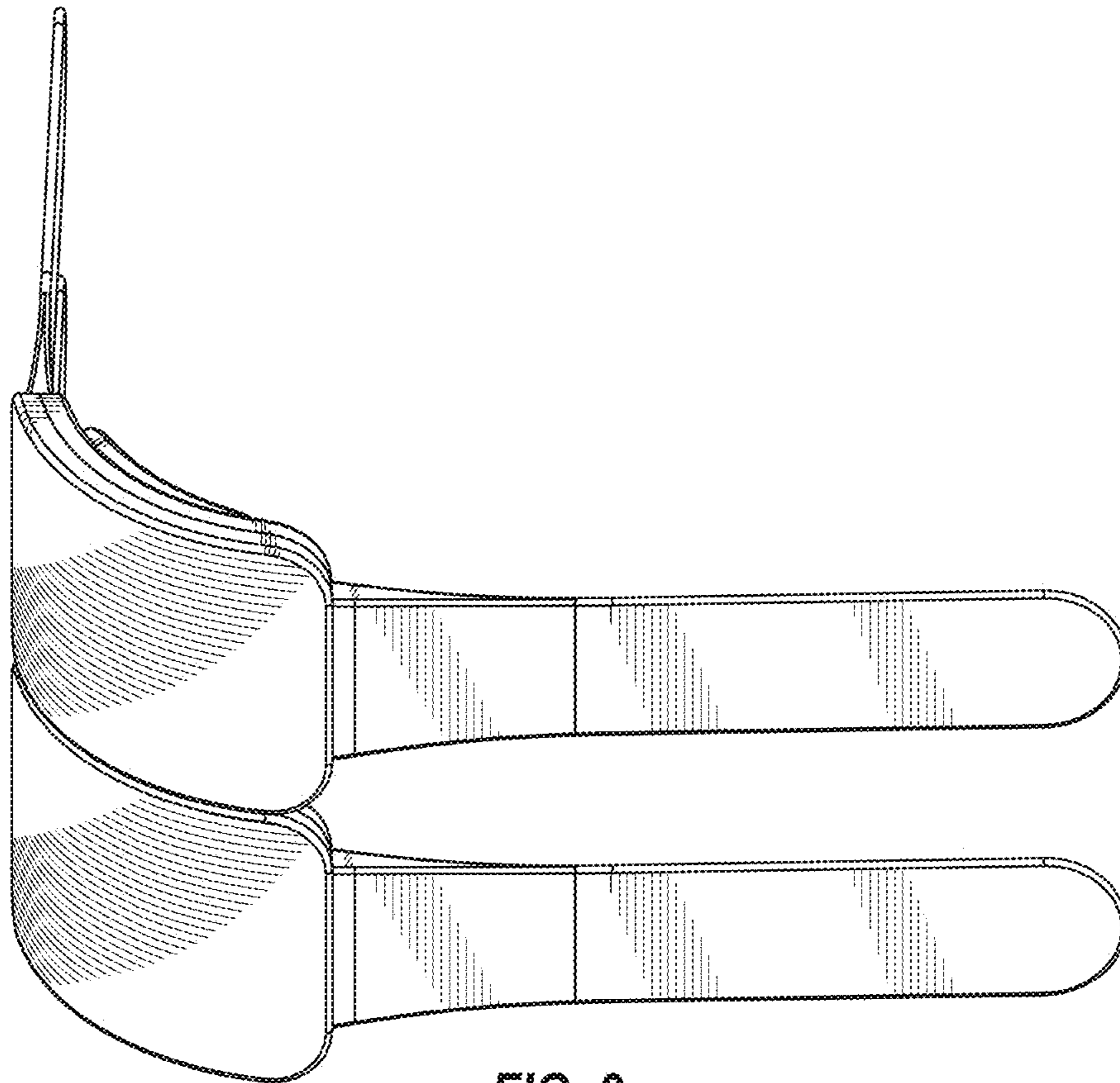


FIG. 2

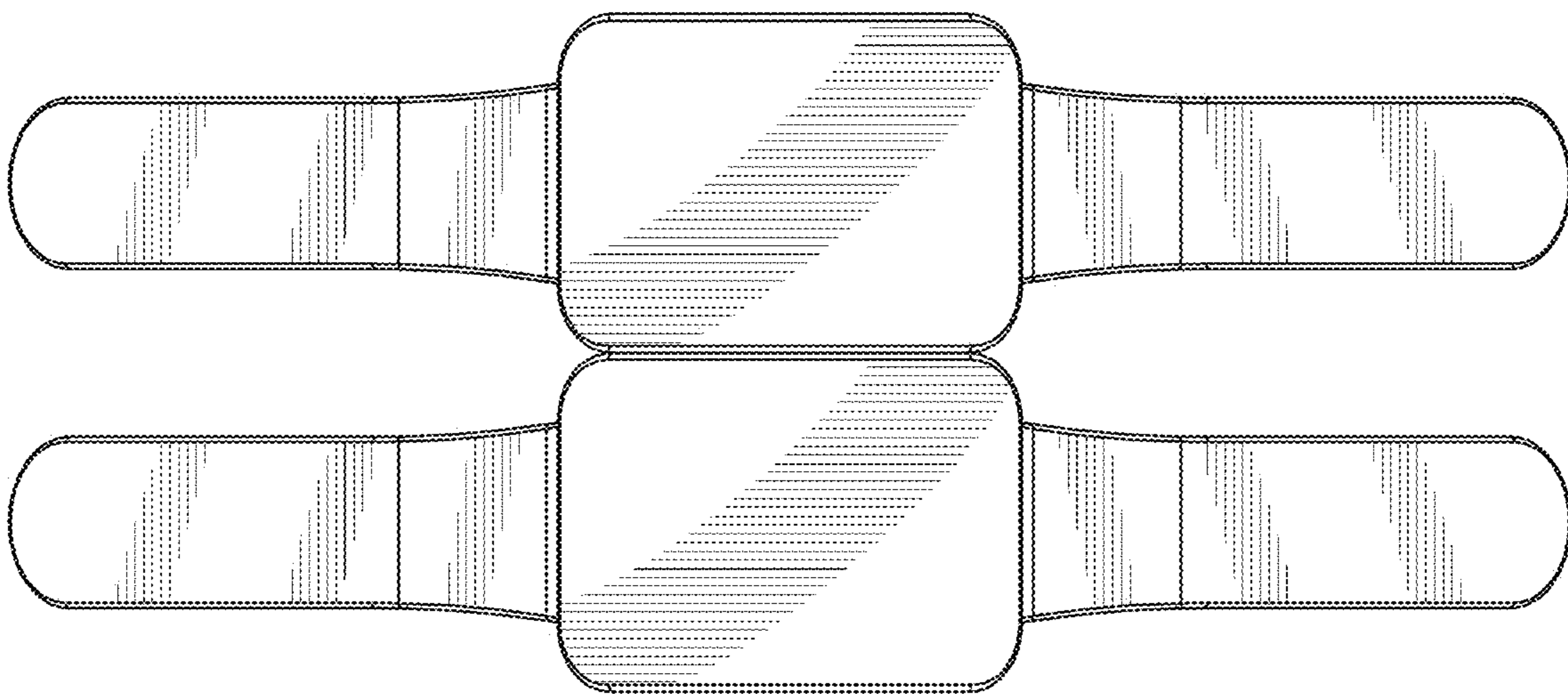


FIG. 3

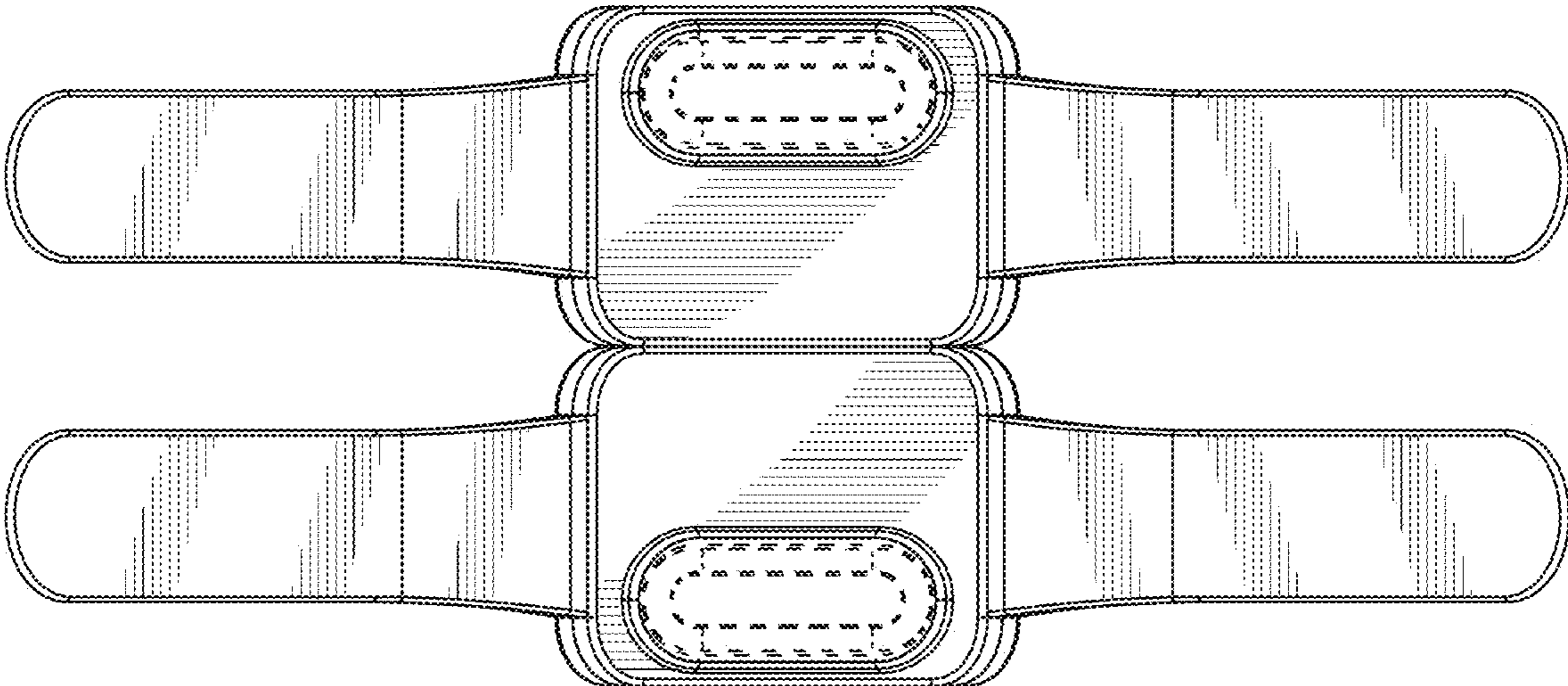


FIG. 4

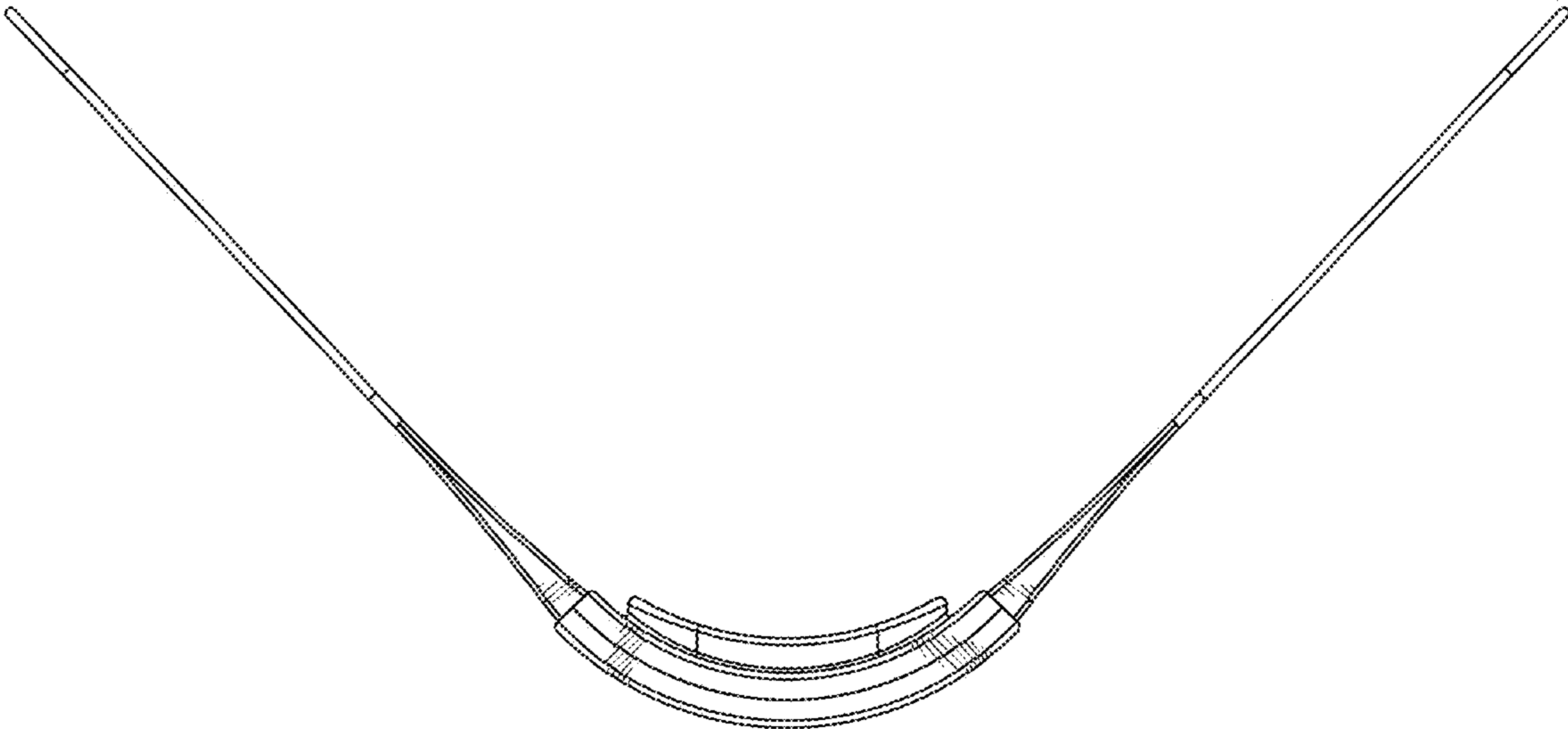


FIG. 5

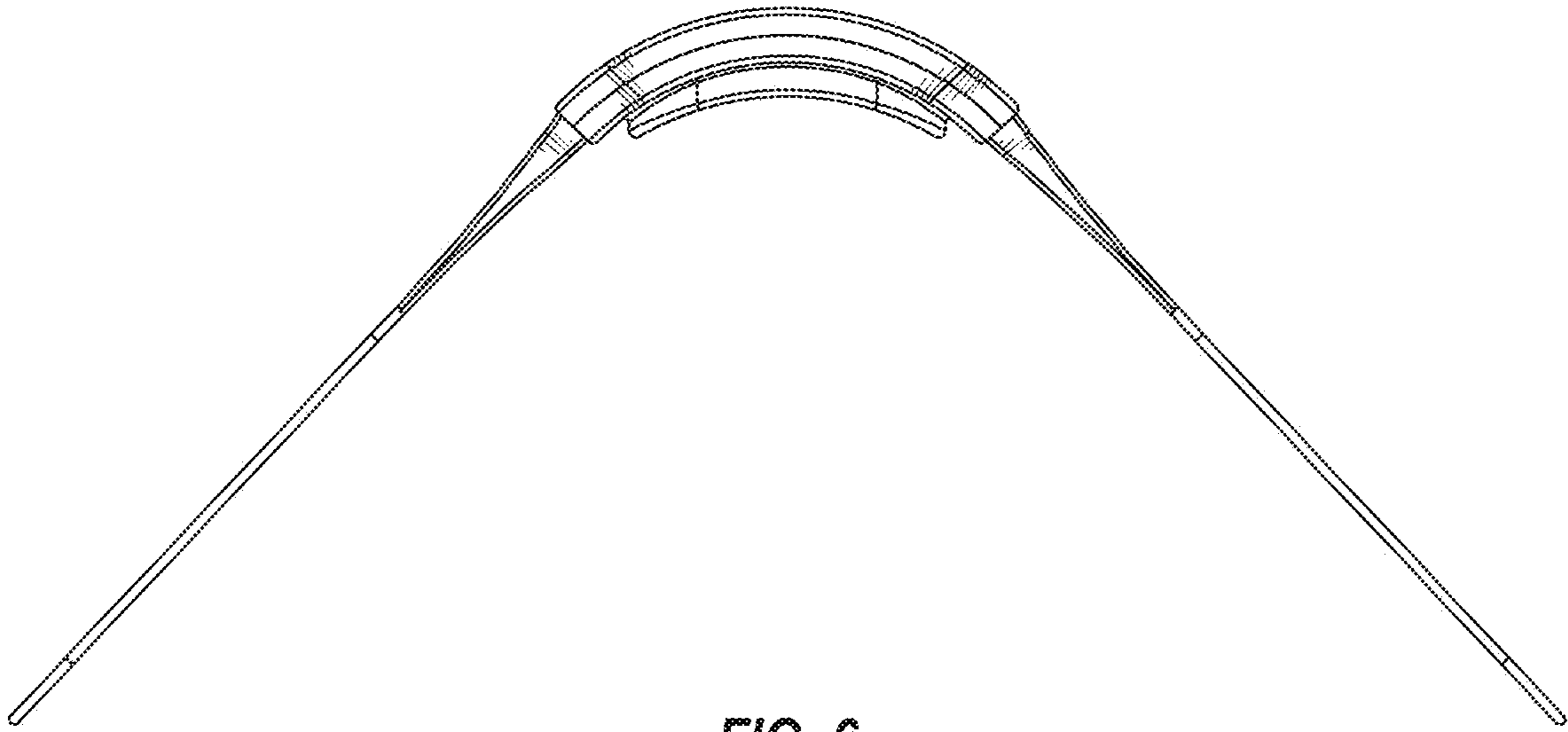


FIG. 6

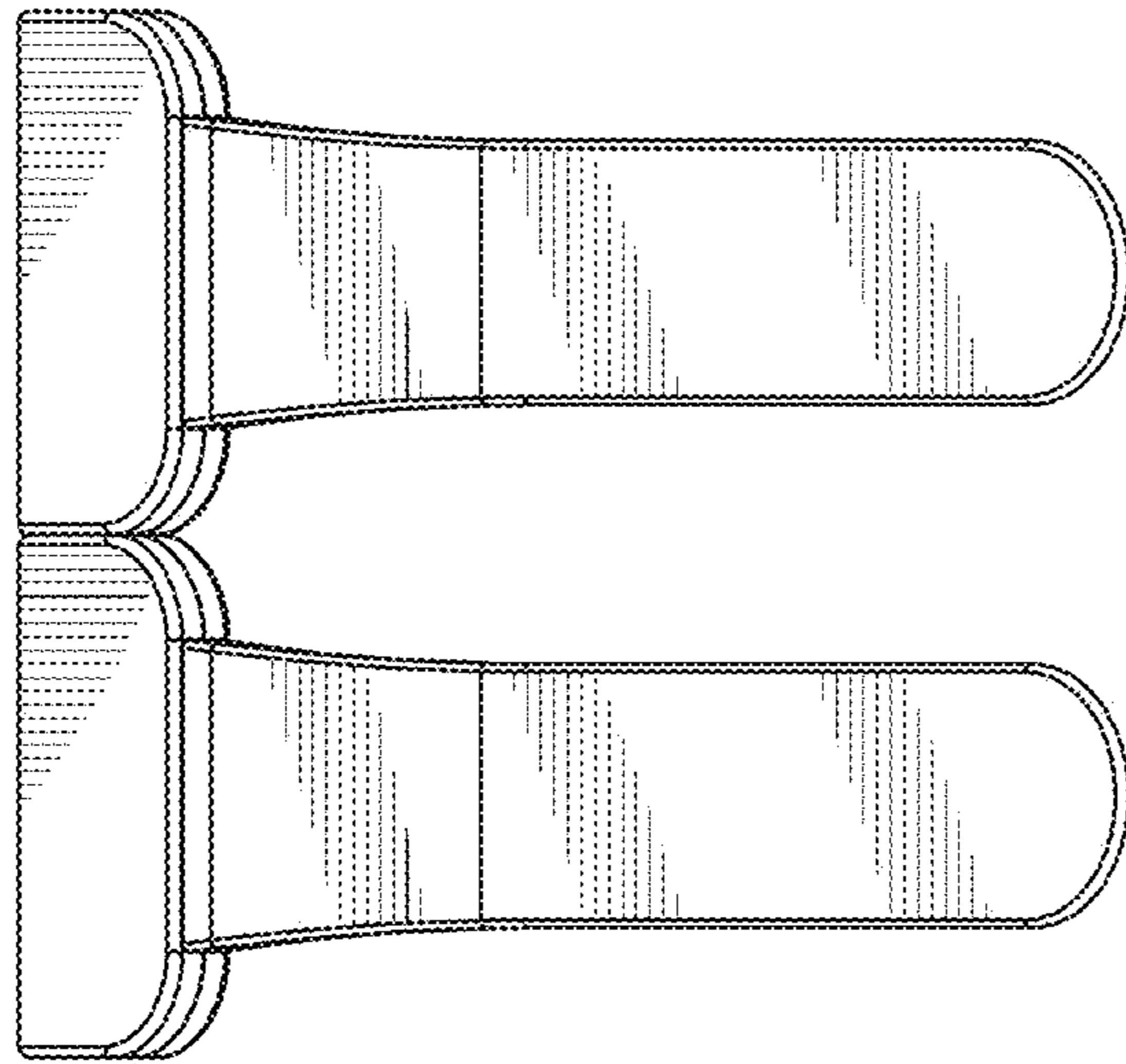


FIG. 7

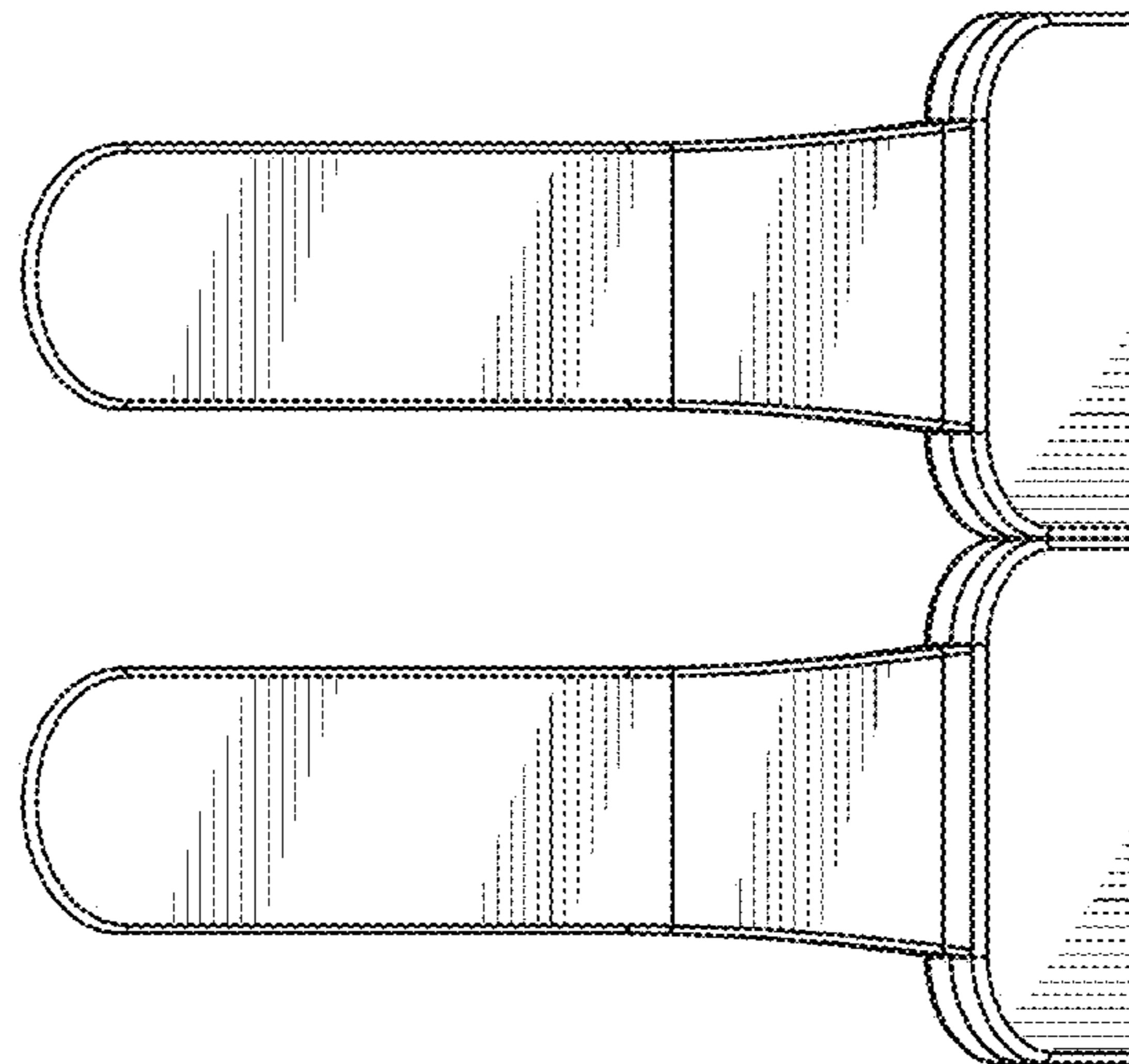


FIG. 8