

US00D890931S

(12) **United States Design Patent** (10) **Patent No.:** **US D890,931 S**  
**Blomquist et al.** (45) **Date of Patent:** **\*\* Jul. 21, 2020**

(54) **MEDICAL CART**  
(71) Applicant: **MAQUET CRITICAL CARE AB**,  
Solna (SE)  
(72) Inventors: **Karin Blomquist**, Sollentuna (SE);  
**David Crafoord**, Bromma (SE); **Jens**  
**Asserlind**, Stockholm (SE); **Joakim**  
**Ahlström**, Täby (SE)  
(73) Assignee: **MAQUET CRITICAL CARE AB**,  
Solna (SE)  
(\*\*) Term: **15 Years**  
(21) Appl. No.: **29/644,646**  
(22) Filed: **Apr. 19, 2018**  
(51) **LOC (12) Cl.** ..... **24-02**  
(52) **U.S. Cl.**  
USPC ..... **D24/185**  
(58) **Field of Classification Search**  
USPC ..... D24/185, 158, 108, 107, 167, 160, 168,  
D24/186; D34/14  
CPC ..... A61G 12/001; A61B 8/4405; A61B 8/00  
See application file for complete search history.

D657,470 S \* 4/2012 Schon ..... D24/186  
D662,208 S \* 6/2012 Otoha ..... D24/185  
D696,783 S \* 12/2013 Chung ..... D24/185  
D712,540 S \* 9/2014 Hansen ..... D24/158  
D716,949 S \* 11/2014 Baba ..... D24/160  
D726,923 S \* 4/2015 Baba ..... D24/158  
D727,504 S \* 4/2015 Ninomiya ..... D24/158  
D728,790 S \* 5/2015 Kim ..... D24/158  
D728,791 S \* 5/2015 Ninomiya ..... D24/158  
D730,524 S \* 5/2015 Kim ..... D24/158  
9,055,910 B2 \* 6/2015 Nakajima ..... A61B 8/4405  
D743,558 S \* 11/2015 Kim ..... D24/158  
D777,927 S \* 1/2017 Choudhary ..... D24/167  
D790,065 S \* 6/2017 O'Connor ..... D24/158  
D790,066 S \* 6/2017 Lei ..... D24/158  
D796,679 S \* 9/2017 Dekock ..... D24/158  
D804,671 S \* 12/2017 Yanase ..... D24/160  
D808,533 S \* 1/2018 Verguldi ..... D24/185  
D824,521 S \* 7/2018 Adams ..... D24/158

(Continued)

*Primary Examiner* — Rhea Shields  
(74) *Attorney, Agent, or Firm* — Fay Kaplun & Marcin,  
LLP

(57) **CLAIM**

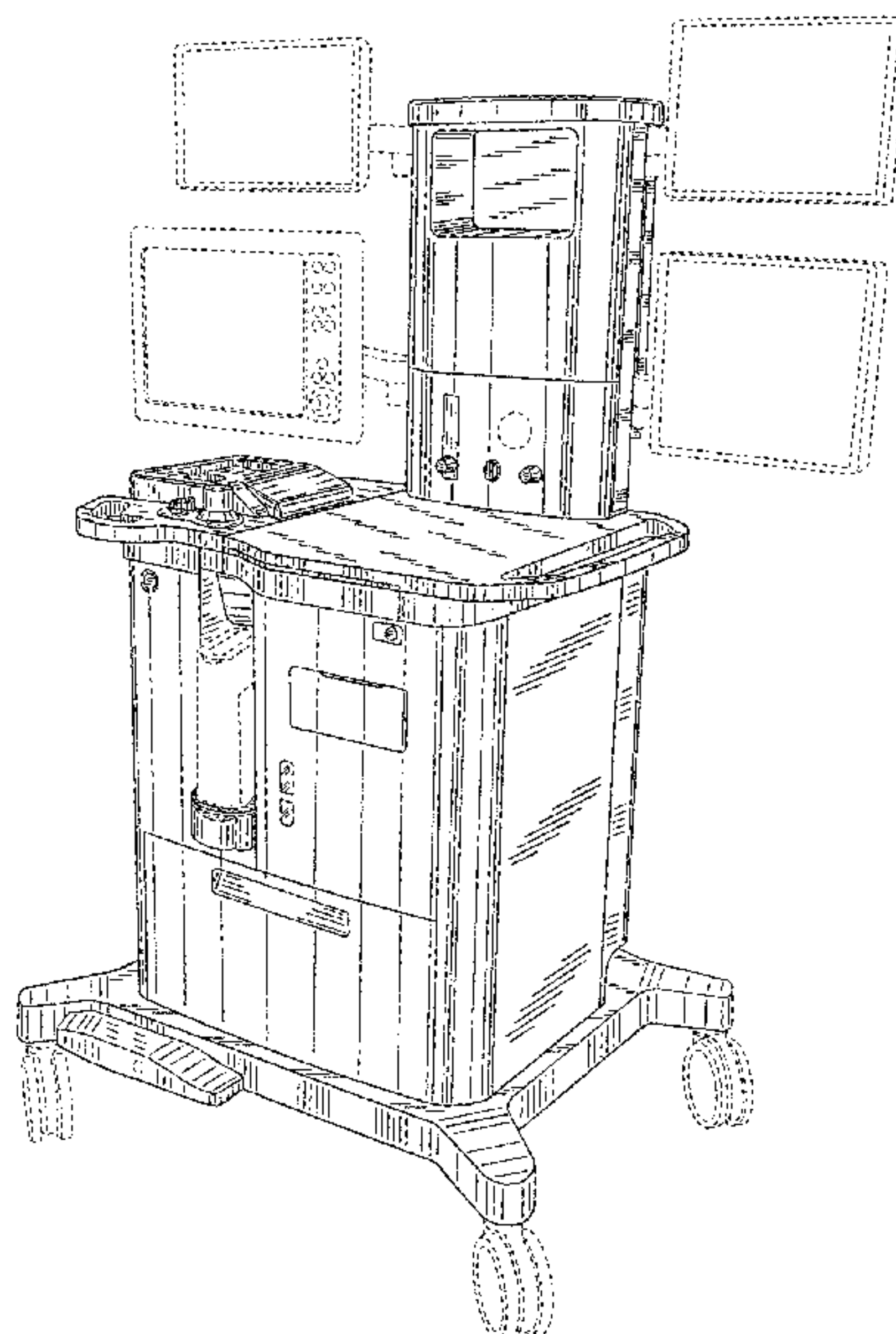
The ornamental design for a medical device, as shown and described.

**DESCRIPTION**

FIG. 1 is a perspective view of a medical device showing our new design;  
FIG. 2 is a front elevation view thereof;  
FIG. 3 is a rear elevation view thereof;  
FIG. 4 is a right side elevation view thereof;  
FIG. 5 is a left side elevation view thereof;  
FIG. 6 is a top view thereof; and,  
FIG. 7 is a bottom thereof.  
In the drawings, the broken lines are for the purpose of illustrating a portion of the medical cart and forms no part of the claimed design.

**1 Claim, 7 Drawing Sheets**

(56) **References Cited**  
U.S. PATENT DOCUMENTS  
D367,534 S \* 2/1996 DiPerna ..... D24/108  
D422,695 S \* 4/2000 van Engelen ..... D24/107  
6,626,445 B2 \* 9/2003 Murphy ..... A61G 12/001  
280/47.34  
6,629,927 B1 \* 10/2003 Mesaros ..... A61B 8/00  
600/437  
D486,915 S \* 2/2004 Warschewske ..... D24/185  
D612,561 S \* 3/2010 Hunter ..... D34/14  
D628,701 S \* 12/2010 Nordgren ..... D24/185  
D629,523 S \* 12/2010 Porter ..... D24/185  
D648,855 S \* 11/2011 Smith ..... D24/158  
D650,482 S \* 12/2011 Kim ..... D24/158



(56)

**References Cited**

U.S. PATENT DOCUMENTS

D827,139 S *	8/2018	Henderson .....	D24/160
D836,781 S *	12/2018	Meurer .....	D24/185
D840,541 S *	2/2019	Yanagihara .....	D24/160
D843,585 S *	3/2019	Wu .....	D24/186
D846,745 S *	4/2019	Clifford .....	D24/185
D852,962 S *	7/2019	Chang .....	D24/185
D853,564 S *	7/2019	Henderson .....	D24/158
D855,190 S *	7/2019	Wu .....	D24/185
D858,927 S *	9/2019	Wolford .....	D34/14

\* cited by examiner

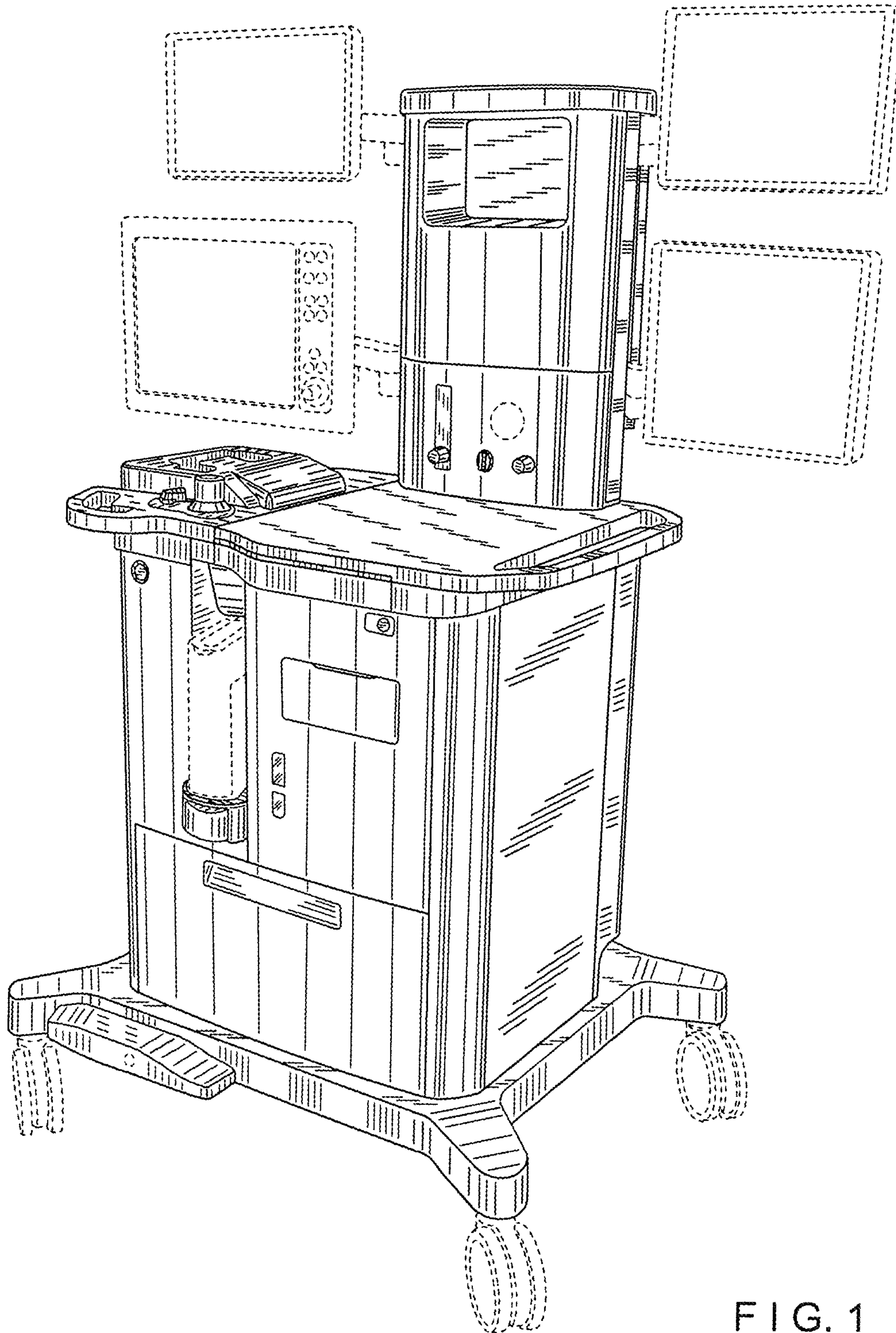


FIG. 1



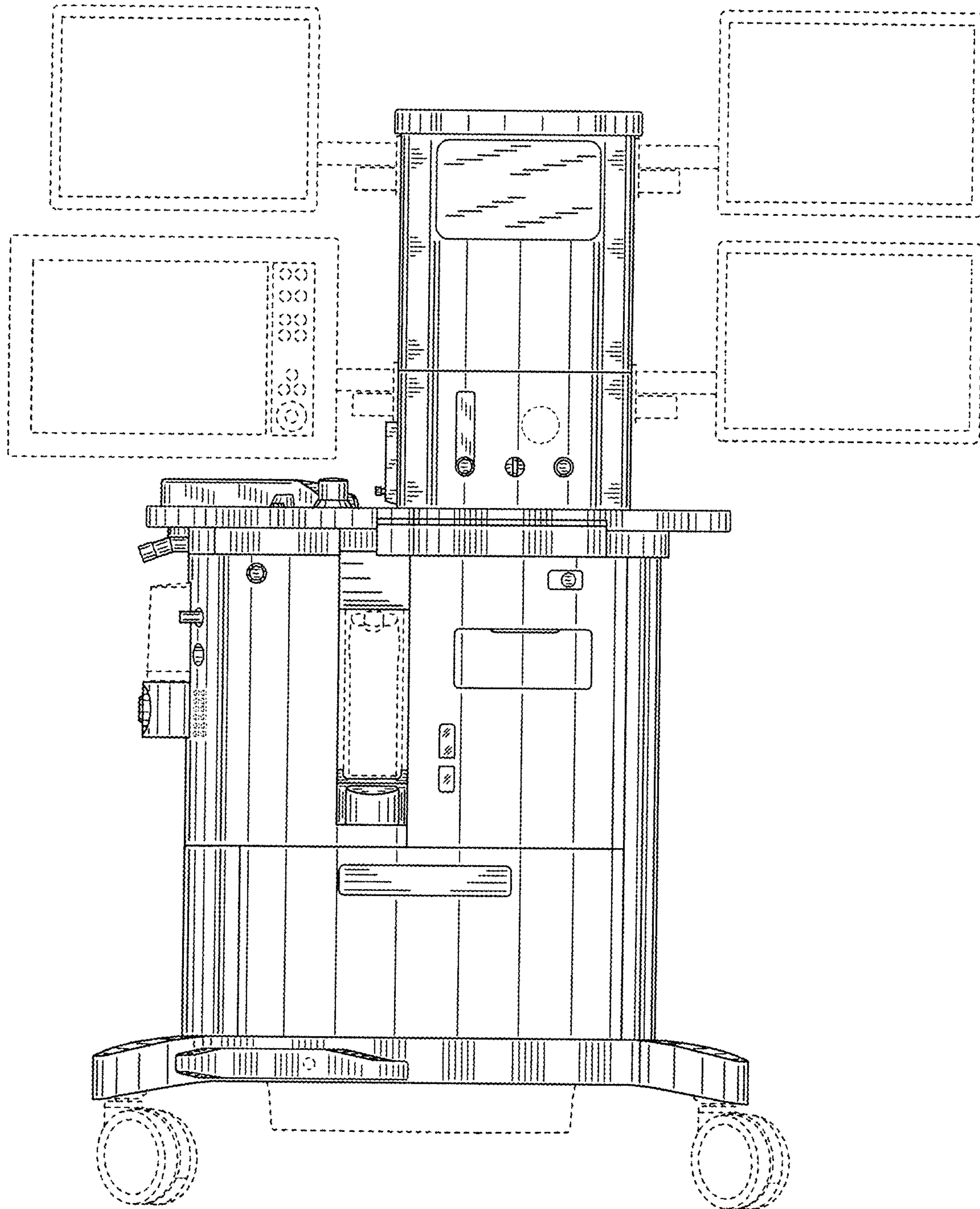


FIG. 2

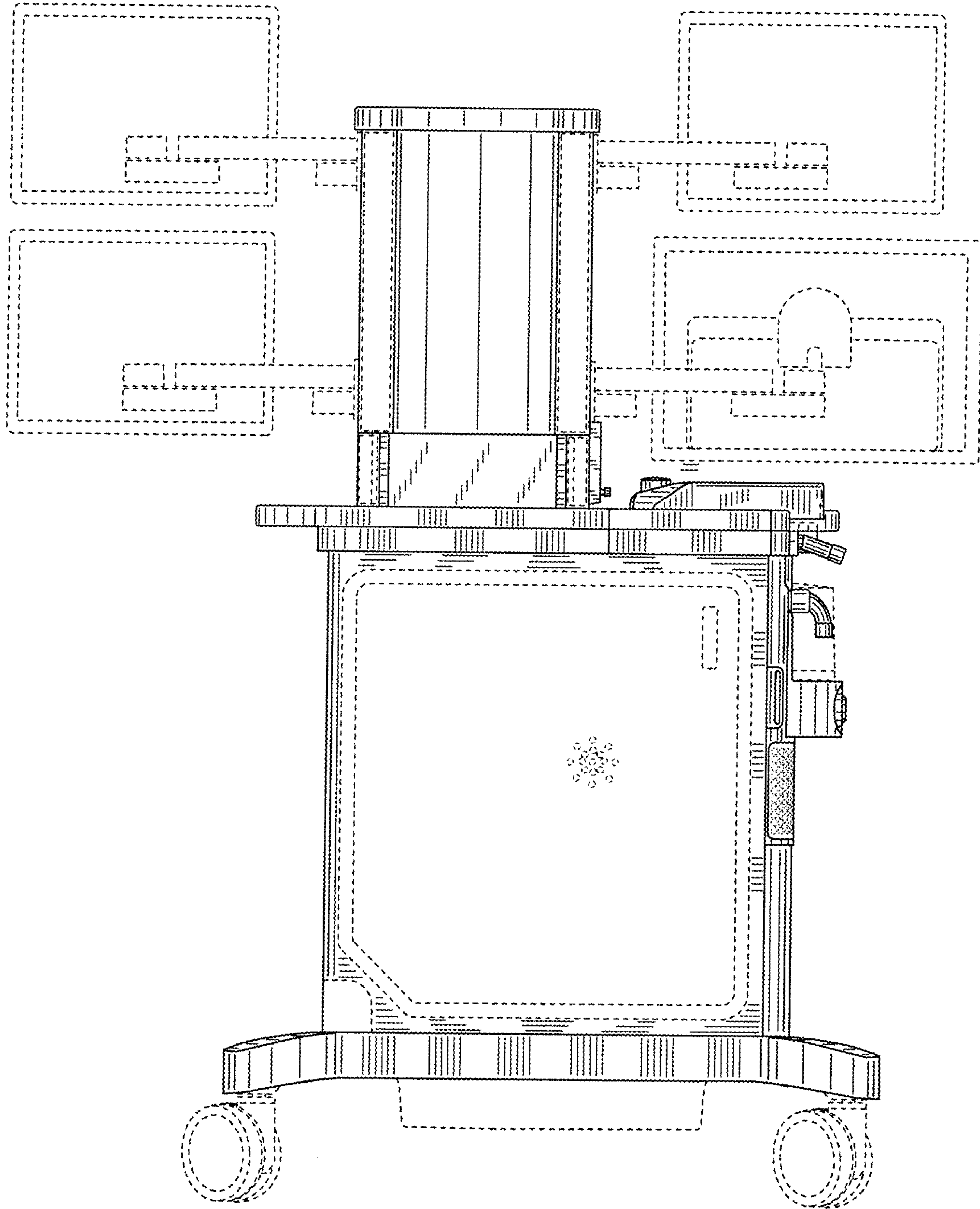


FIG. 3

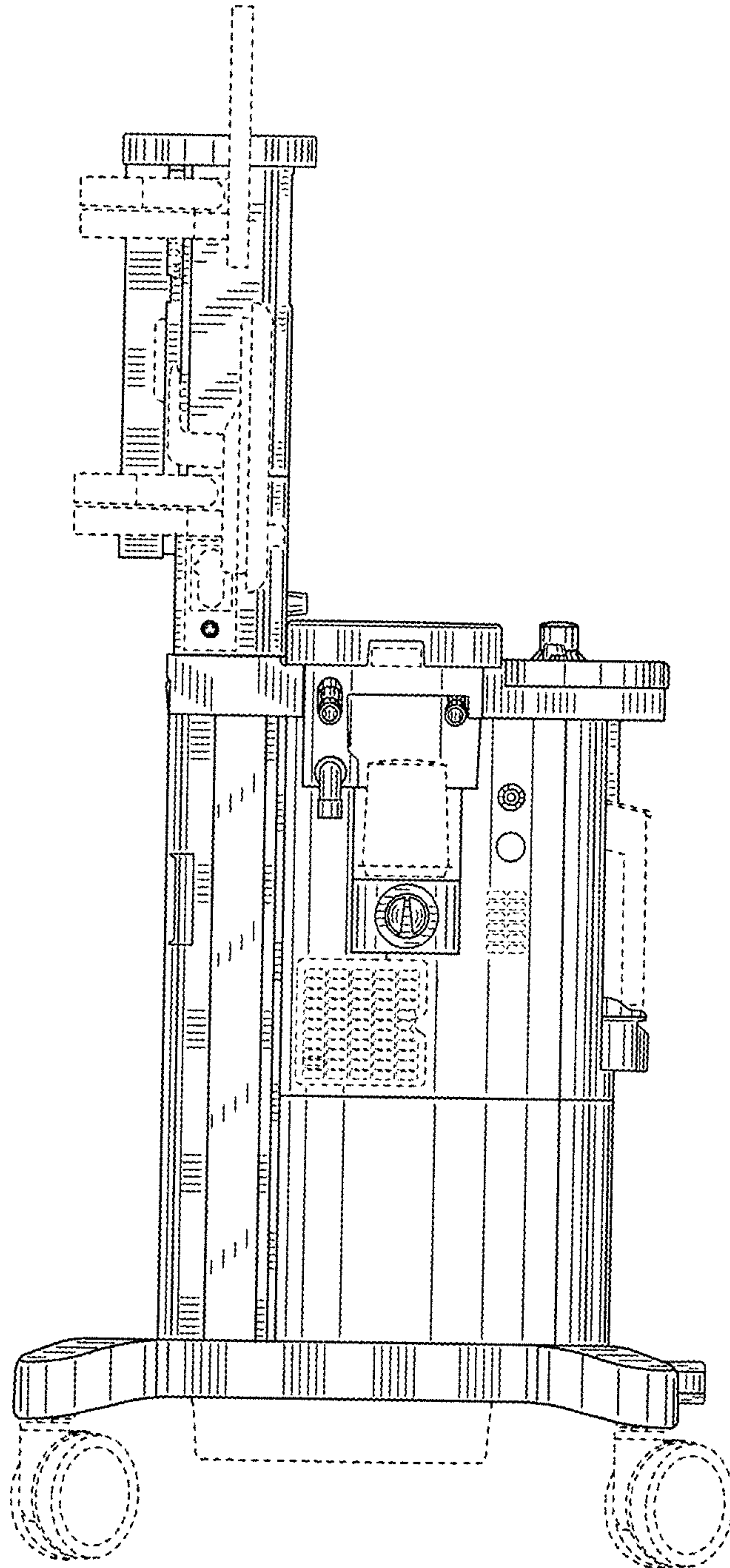


FIG. 4

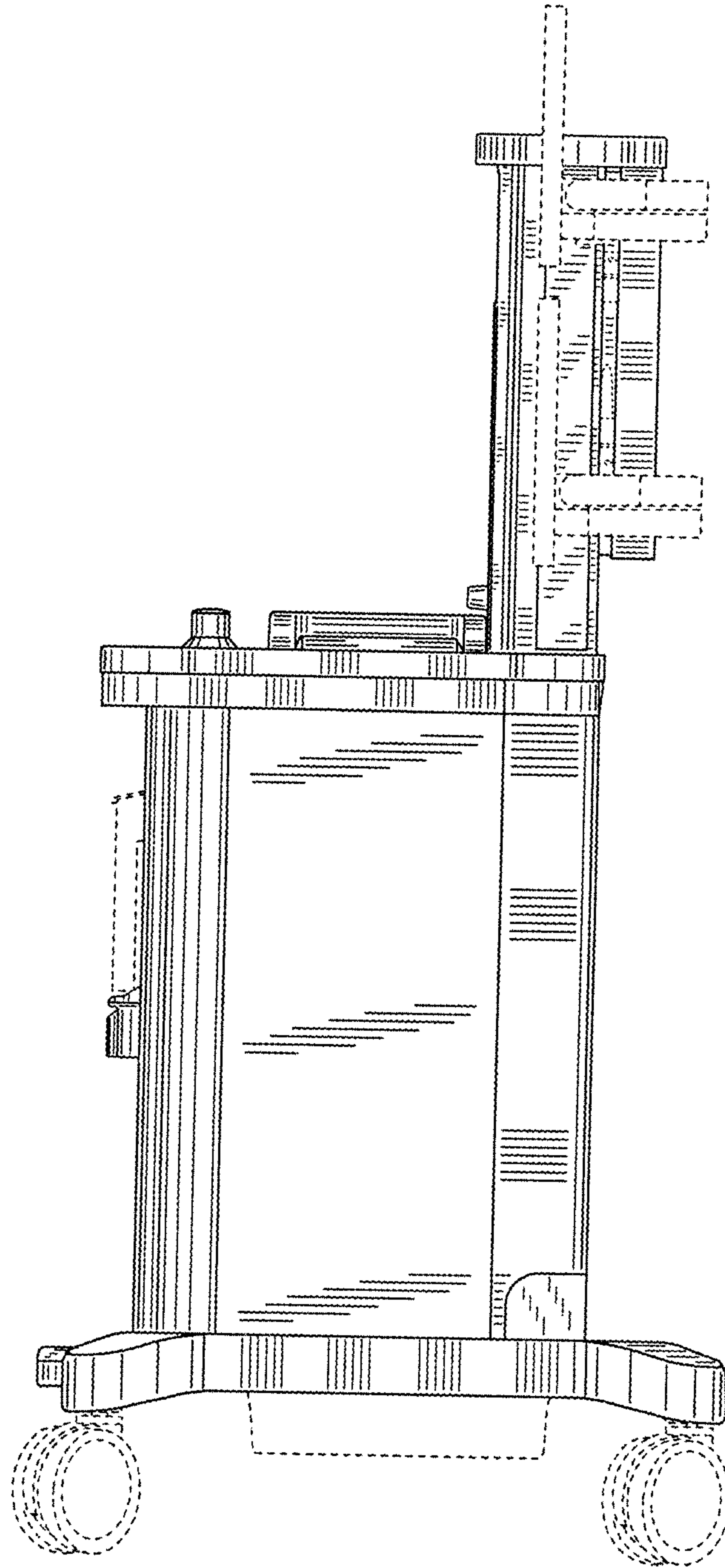


FIG. 5



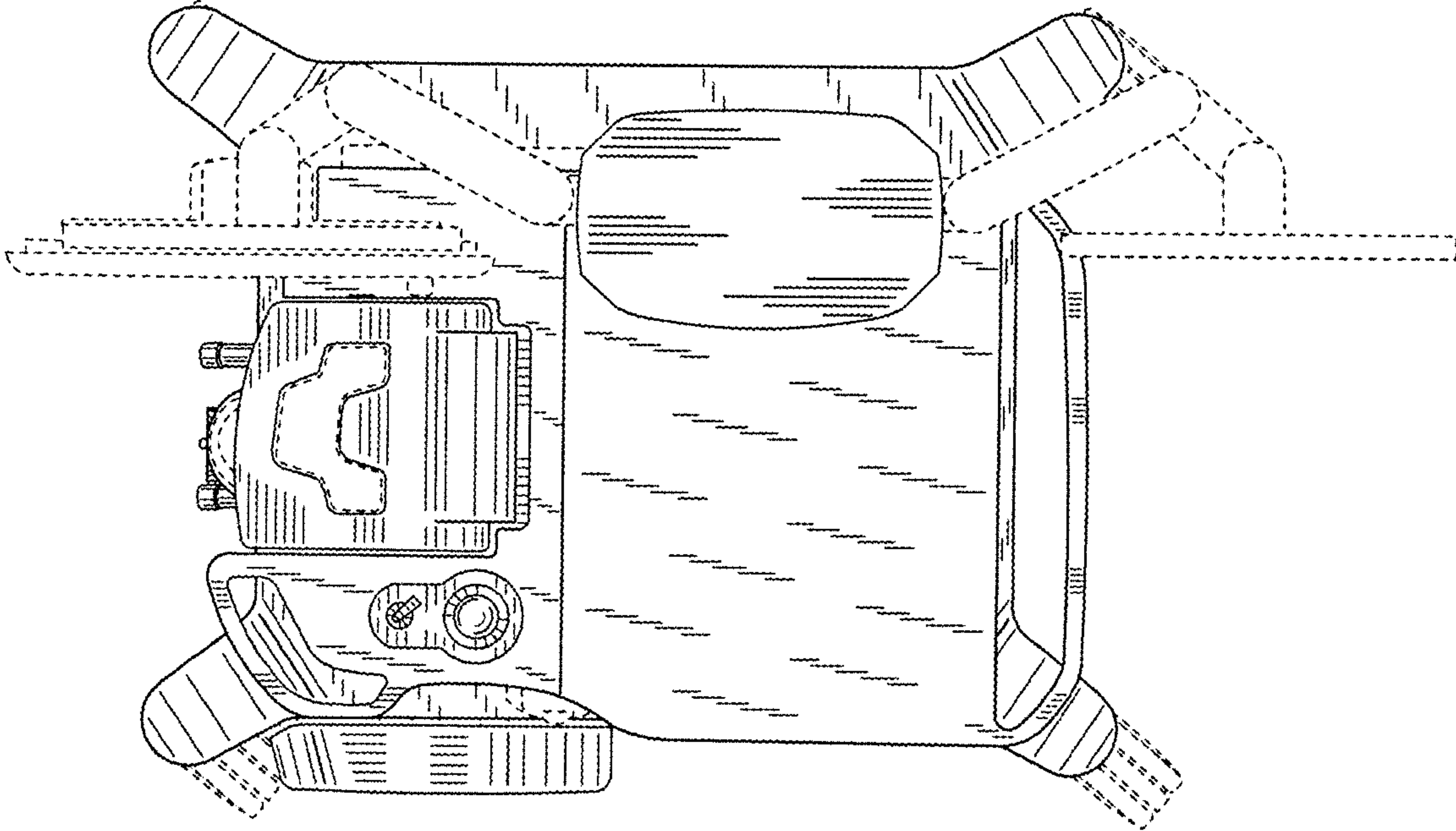


FIG. 6



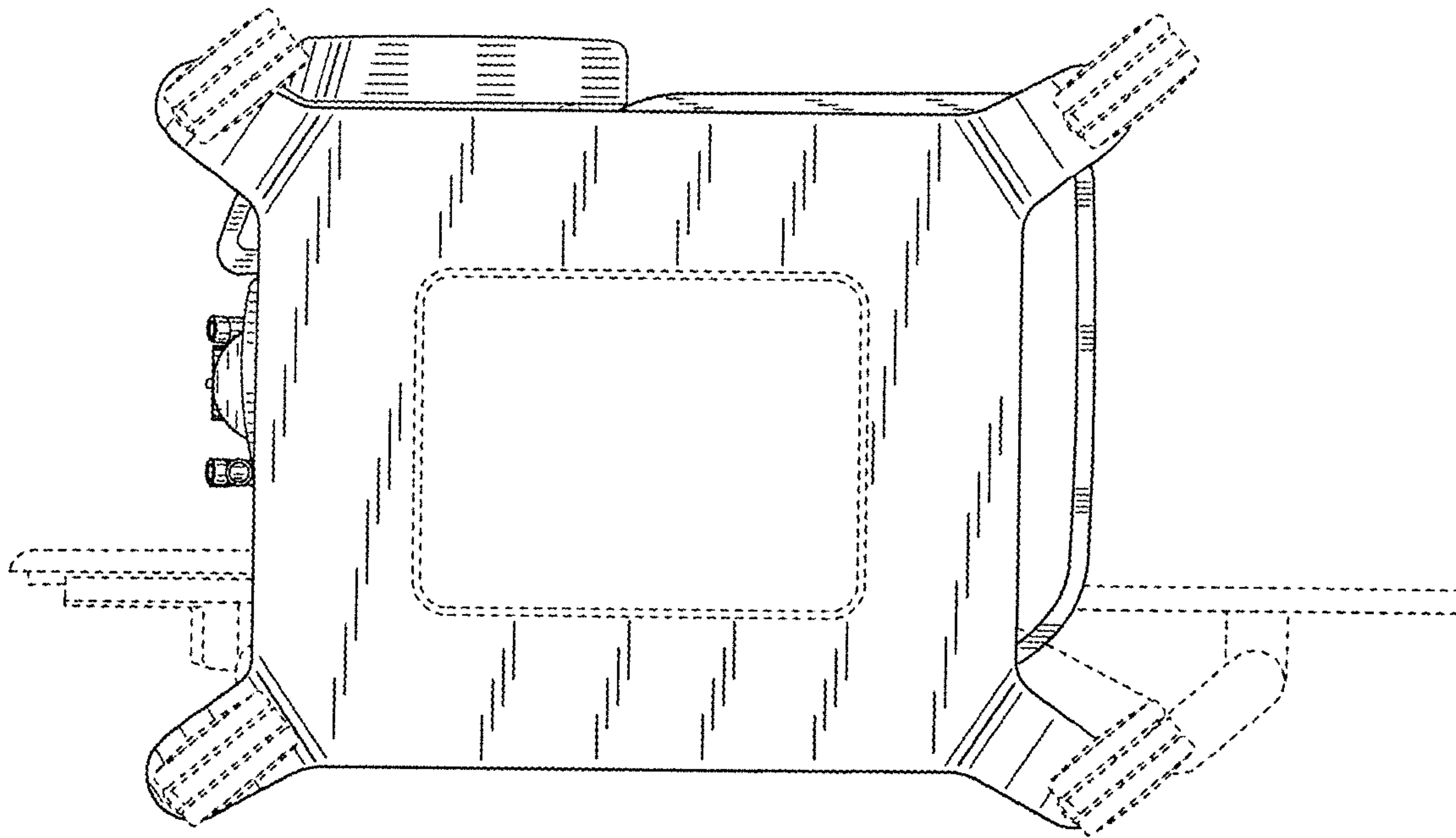


FIG. 7