

US00D890930S

(12) **United States Design Patent**  
**Farrell**

(10) **Patent No.:** **US D890,930 S**  
(45) **Date of Patent:** **\*\* Jul. 21, 2020**

(54) **ORAL APPLIANCE**

(71) Applicant: **Christopher John Farrell**, Helensvale (AU)

(72) Inventor: **Christopher John Farrell**, Helensvale (AU)

(\*\*) Term: **15 Years**

(21) Appl. No.: **29/648,365**

(22) Filed: **May 21, 2018**

(30) **Foreign Application Priority Data**

Nov. 21, 2017 (AU) ..... 201717102

(51) **LOC (12) Cl.** ..... **24-02**

(52) **U.S. Cl.**  
USPC ..... **D24/180; D29/108**

(58) **Field of Classification Search**  
USPC ..... D24/180, 181, 176, 177, 178, 179, 182, D24/110, 110.1, 110.2, 110.3, 110.4, D24/110.5, 110.6, 127, 108; D29/108, D29/122, 128  
CPC ..... A61F 5/56; A61F 5/566; A61F 2005/563; A63B 71/085; A63B 2071/086; A63B 71/0054; A61C 7/08; A61C 7/36; A61C 5/90; A61C 7/143; A61C 7/148; A61C 19/05

See application file for complete search history.

(56) **References Cited**

**U.S. PATENT DOCUMENTS**

- 3,079,916 A \* 3/1963 Marsden ..... A61M 16/0048 128/202.28
- 3,303,845 A \* 2/1967 Detmer, III ..... A61M 16/0048 128/202.28
- D263,166 S \* 2/1982 Bushman ..... D24/110
- D265,586 S \* 7/1982 Sloan ..... A61F 5/566 D24/122

(Continued)

**FOREIGN PATENT DOCUMENTS**

WO 2012155214 11/2012  
WO 2015149127 10/2015

(Continued)

**OTHER PUBLICATIONS**

Voice Trainer, [site visited Mar. 4, 2020]. Available from internet, URL: <https://www.japanrendshop.com/beauty-voice-trainer-p-556.html> (Year: 2009).\*

(Continued)

*Primary Examiner* — T Chase Nelson

*Assistant Examiner* — Kelly L Gross

(74) *Attorney, Agent, or Firm* — McAndrews, Held & Malloy, Ltd.

(57) **CLAIM**

The ornamental design for an oral appliance, as shown and described.

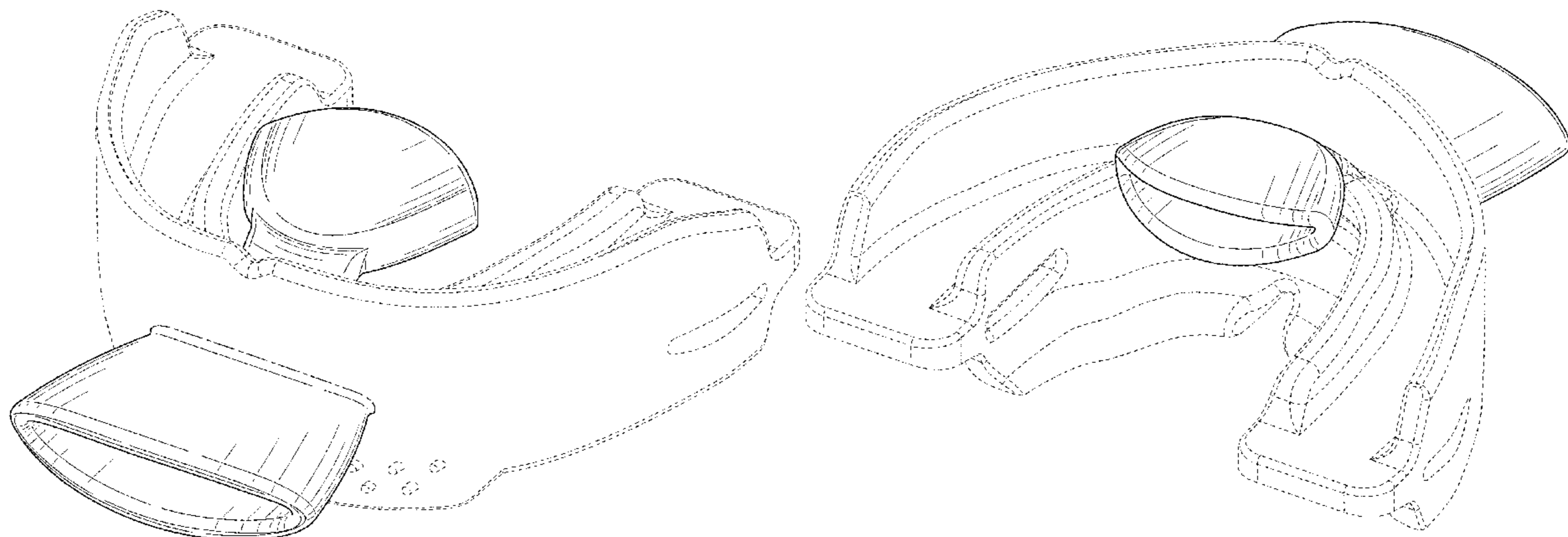
**DESCRIPTION**

FIG. 1 is a front perspective view of an oral appliance showing my new design;  
FIG. 2 is a rear perspective view thereof;  
FIG. 3 is a front elevation view thereof;  
FIG. 4 is a rear elevation view thereof;  
FIG. 5 is a left side elevation view thereof; the right side elevation view being a mirror image thereof;  
FIG. 6 is a top plan view thereof; and,  
FIG. 7 is a bottom plan view thereof.

The evenly spaced dashed broken lines in the figures illustrate portions of the oral appliance that form no part of the claimed design.

The unevenly spaced dot-dash broken lines in the figures define the boundaries of the claimed design and form no part thereof.

**1 Claim, 6 Drawing Sheets**



(56)

References Cited

U.S. PATENT DOCUMENTS

4,715,368 A \* 12/1987 George ..... A61F 5/566  
128/859  
D301,618 S \* 6/1989 Barros ..... D24/110  
D303,440 S \* 9/1989 Campbell ..... A62B 23/02  
D24/110.5  
D311,607 S \* 10/1990 Howells ..... A61B 5/411  
D24/110  
RE33,442 E \* 11/1990 George ..... A61M 16/0493  
128/860  
5,031,611 A \* 7/1991 Moles ..... B63C 11/186  
128/201.11  
5,062,422 A \* 11/1991 Kinkade ..... B63C 11/186  
128/200.26  
5,092,346 A 3/1992 Hays et al.  
5,305,741 A \* 4/1994 Moles ..... B63C 11/186  
128/201.11  
D374,932 S \* 10/1996 Engelman ..... A61J 17/006  
D24/176  
5,792,067 A 8/1998 Karrell  
D399,950 S \* 10/1998 Shepard ..... A61J 17/008  
D24/110.5  
D434,501 S \* 11/2000 Redhage ..... A61J 17/001  
D24/181  
D452,011 S \* 12/2001 Redhage ..... A61J 17/001  
D24/181  
6,405,729 B1 \* 6/2002 Thornton ..... A61F 5/566  
128/206.29  
D461,240 S \* 8/2002 Dort ..... D24/105  
6,454,788 B1 \* 9/2002 Ashton ..... A61J 17/006  
606/234  
D479,876 S \* 9/2003 Gradon ..... D24/110  
D504,947 S \* 5/2005 McAuley ..... D24/110  
D528,655 S \* 9/2006 Clawson ..... D24/110  
D538,926 S \* 3/2007 Jeong ..... D24/110  
D542,408 S \* 5/2007 Oldenburg ..... D24/110.5  
D602,595 S \* 10/2009 Kliegman ..... D24/194  
D615,187 S \* 5/2010 Bowden ..... D24/110  
D650,066 S \* 12/2011 Boyd ..... D24/110.5  
D662,586 S \* 6/2012 Coath ..... D24/110  
8,261,748 B1 \* 9/2012 Goldberg ..... A61F 5/566  
128/200.26  
D683,446 S \* 5/2013 Eves ..... D24/110.4  
D695,889 S \* 12/2013 Bruggeman ..... D24/110.5  
D753,817 S \* 4/2016 Maguire ..... D24/110.5  
9,375,344 B2 \* 6/2016 de Heer ..... A61B 5/411  
9,630,082 B2 \* 4/2017 Zents ..... A63B 71/085  
9,717,975 B2 \* 8/2017 Evans ..... A63B 71/085  
D811,601 S \* 2/2018 Oowa ..... A63B 71/085  
D24/181  
D816,210 S \* 4/2018 Gerschman ..... A63B 71/085  
D24/110.5

10,149,782 B2 \* 12/2018 Chen ..... A61M 16/0493  
D838,839 S \* 1/2019 Fujiwara ..... A61F 5/566  
D24/110.5  
10,206,809 B1 \* 2/2019 Goldberg ..... A61F 5/566  
D842,999 S \* 3/2019 Fleury ..... A61M 16/0493  
D24/197  
D854,679 S \* 7/2019 Gerschman ..... A61F 5/566  
D24/110.5  
D871,571 S \* 12/2019 Chen ..... A61F 5/566  
D24/110.5  
10,568,757 B2 \* 2/2020 Radmand ..... A61F 5/566  
2003/0050669 A1 \* 3/2003 Branam ..... A61J 17/001  
606/234  
2003/0163162 A1 \* 8/2003 Uehara ..... A61J 17/001  
606/234  
2007/0112386 A1 \* 5/2007 Branam ..... A61J 17/001  
606/234  
2008/0257358 A1 10/2008 Stern et al.  
2010/0311003 A1 12/2010 Kozlov  
2013/0263864 A1 \* 10/2013 von Treuenfels ..... A61F 5/566  
128/848  
2014/0014118 A1 \* 1/2014 Cuevas ..... A61J 17/02  
128/861  
2014/0276171 A1 \* 9/2014 Hestness ..... A61B 5/0833  
600/531  
2016/0338813 A1 \* 11/2016 Kamohara ..... A61C 9/0006  
2017/0173356 A1 \* 6/2017 Demarest ..... A61C 5/90  
2017/0312118 A1 \* 11/2017 De Heer ..... A62B 23/02  
2019/0254934 A1 \* 8/2019 Lake ..... A61J 17/008  
2019/0308067 A1 \* 10/2019 Rohde, II ..... A61H 9/0085

FOREIGN PATENT DOCUMENTS

WO 2017020079 2/2017  
WO 2017/165918 10/2017

OTHER PUBLICATIONS

Kuwaete Sukkiri Tongue Exerciser, [site visited Mar. 5, 2020]. Available from internet, URL: <https://www.japantrendshop.com/kuwaete-sukkiri-tongue-exerciser-p-1463.html> (Year: 2012).\*  
O2 Trainer, [site visited Mar. 5, 2020]. Available from internet, URL: <https://o2trainer.com/products/o2-trainer-inspiratory-muscle-breathing-exerciser> (Year: 2013).\*  
Soft silicone mouth type anti snoring tongue device, [site visited Mar. 5, 2020]. Available from internet, URL: <https://www.amazon.com/Upgrade%E3%80%91Soft-Silicone-Snoring-Tongue-Anti-Snoring/dp/B07P251HKW> (Year: 2019).\*  
Mouth Exerciser, [site visited Mar. 2, 2020]. Available from Internet. URL: <https://www.racergadgets.co.za/products/1545712> (Year: 2020).\*

\* cited by examiner

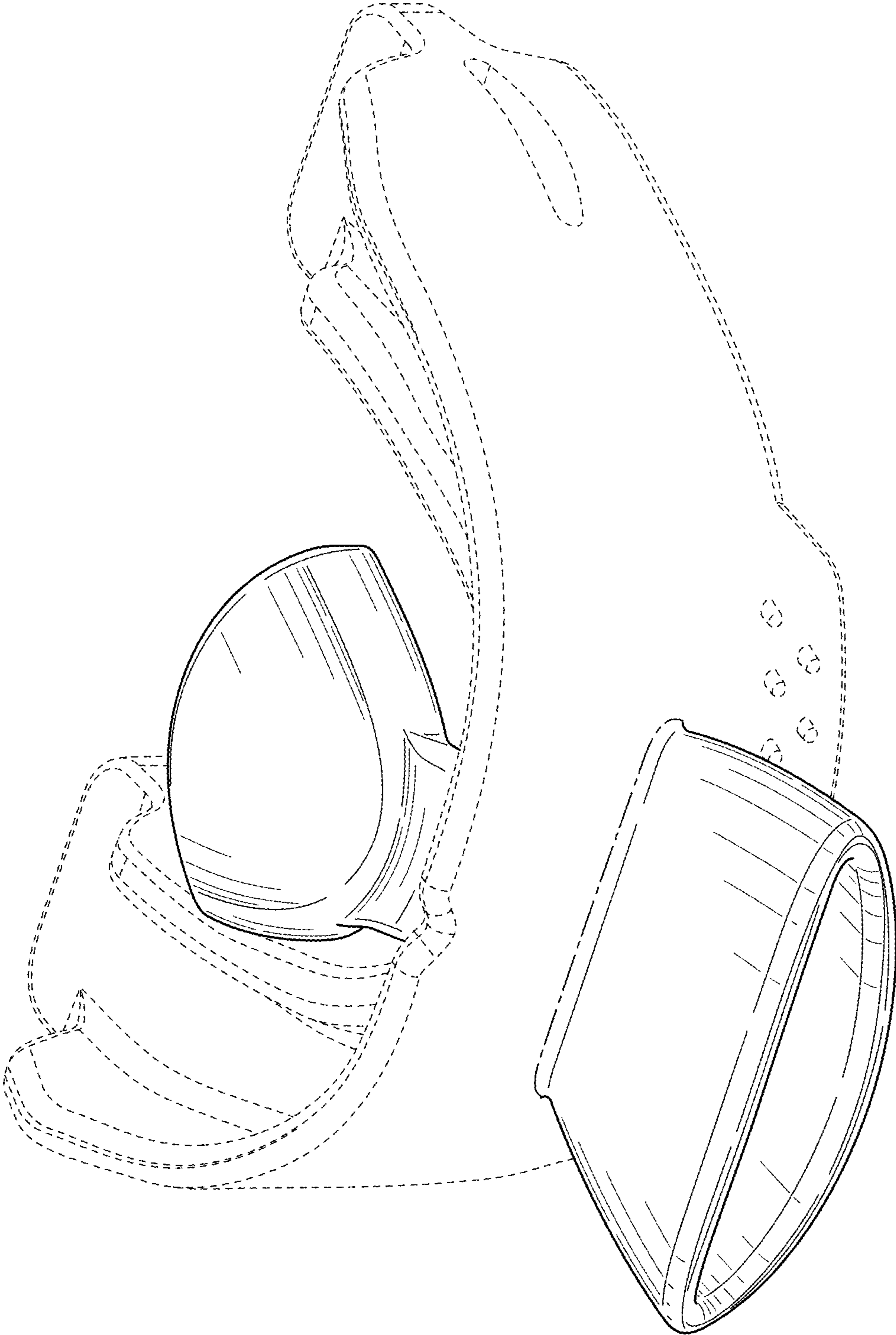


FIG. 1

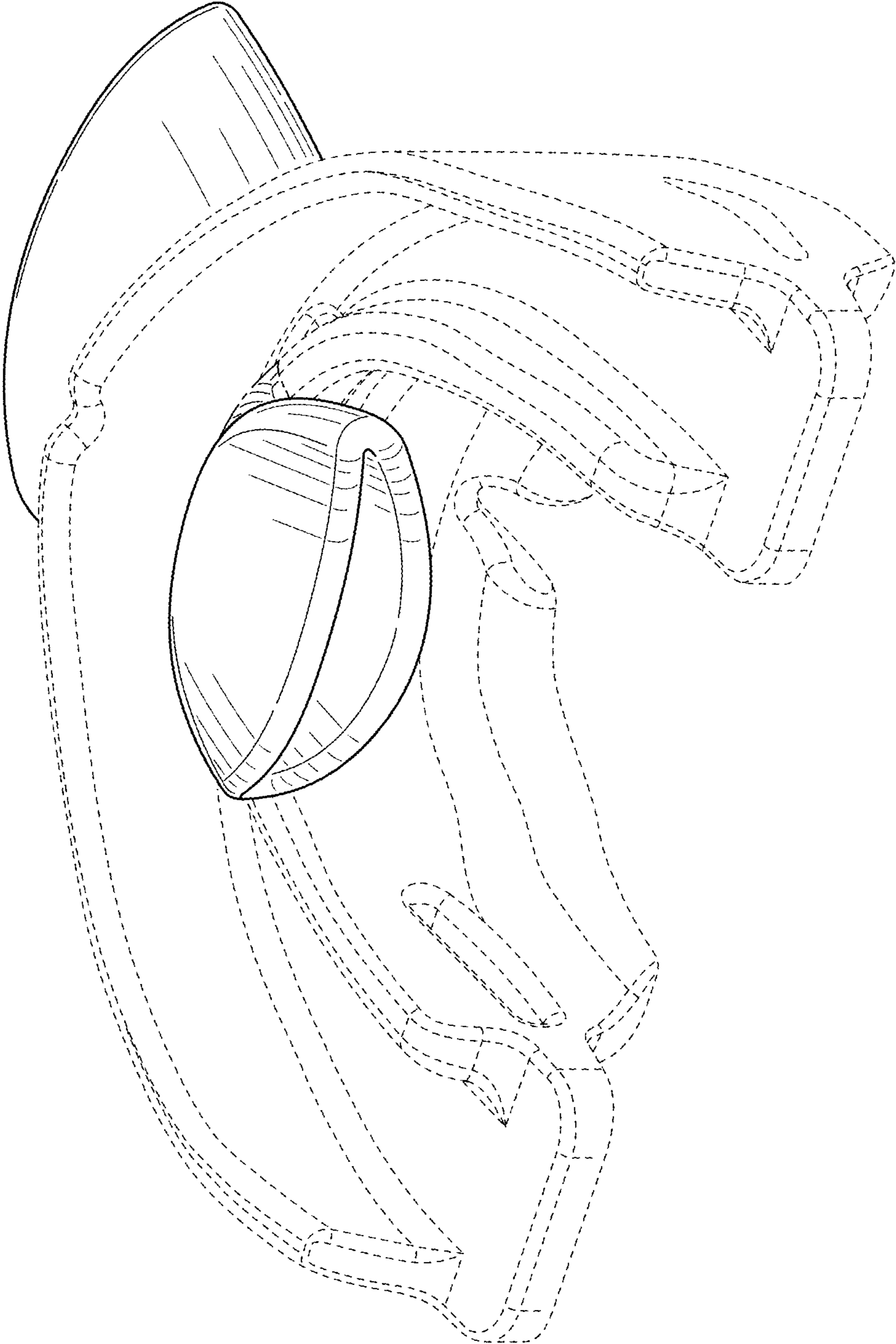


FIG. 2

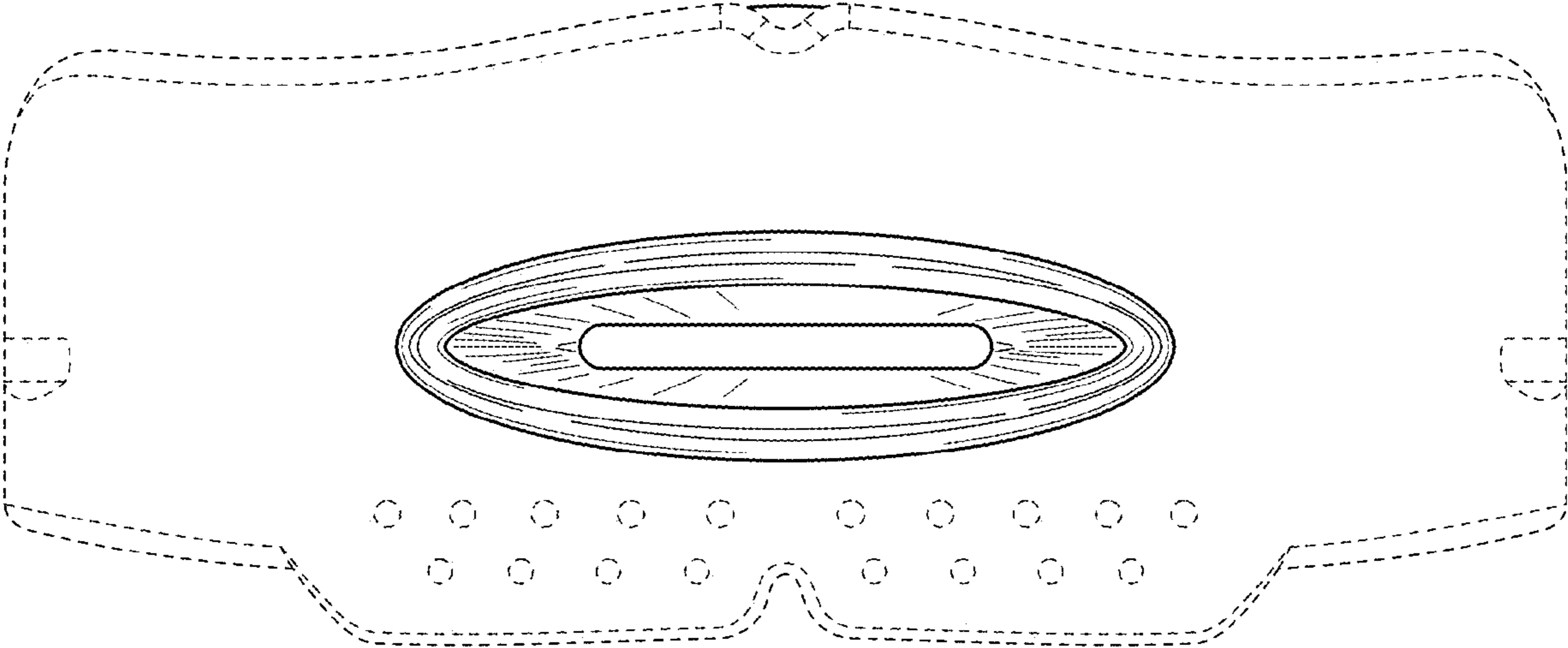


FIG. 3

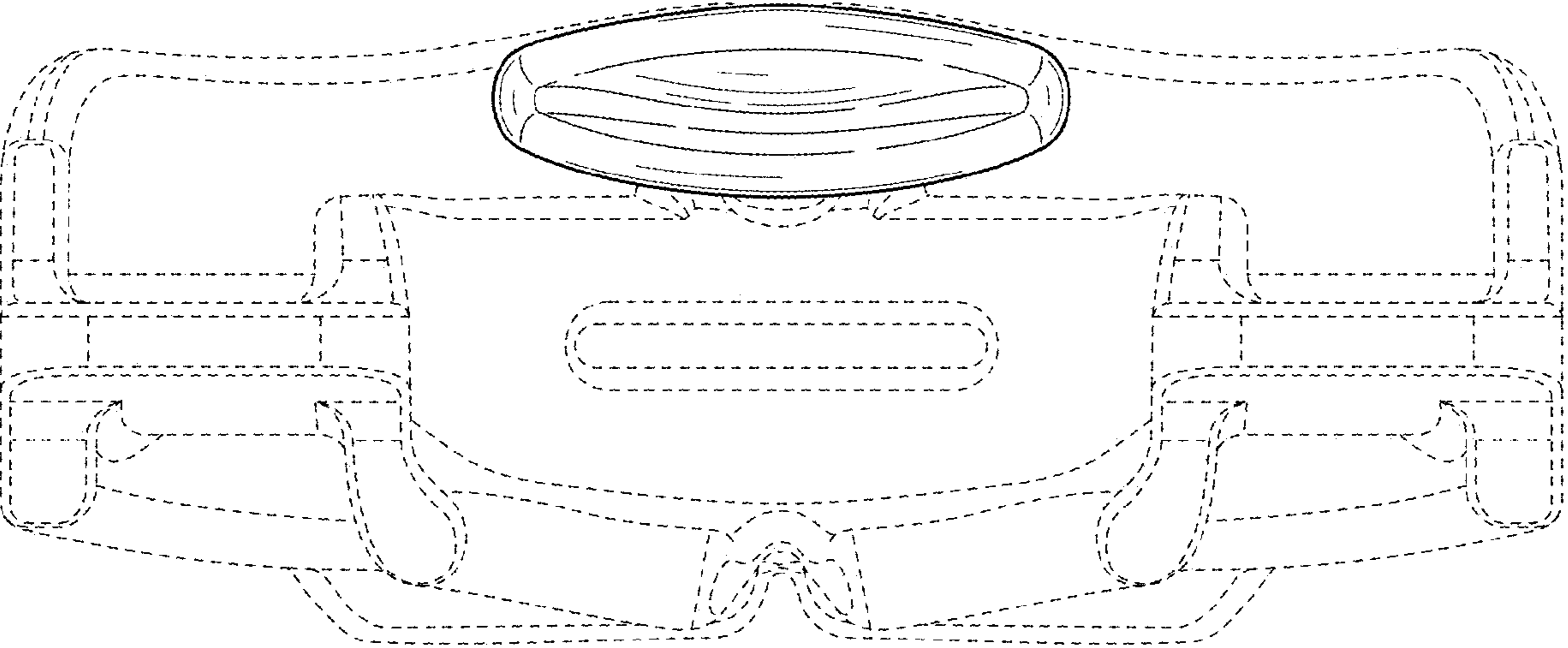


FIG. 4

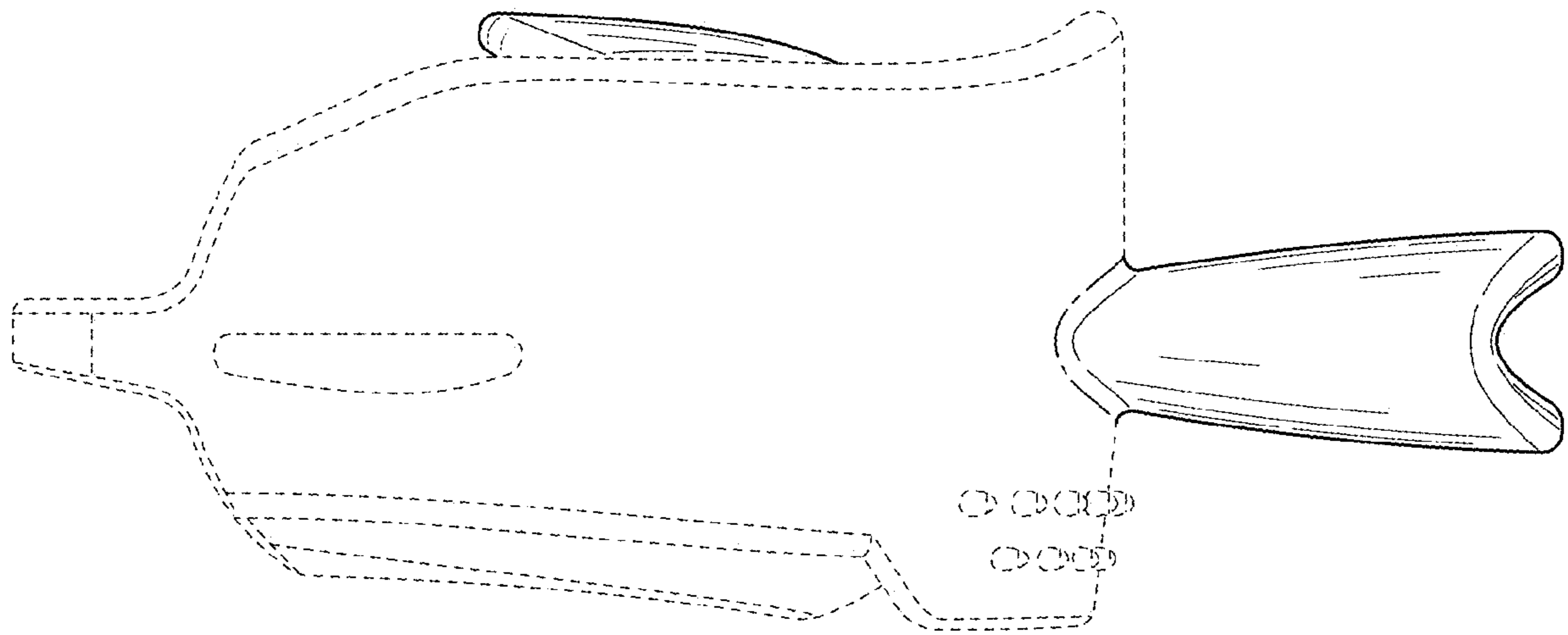


FIG. 5

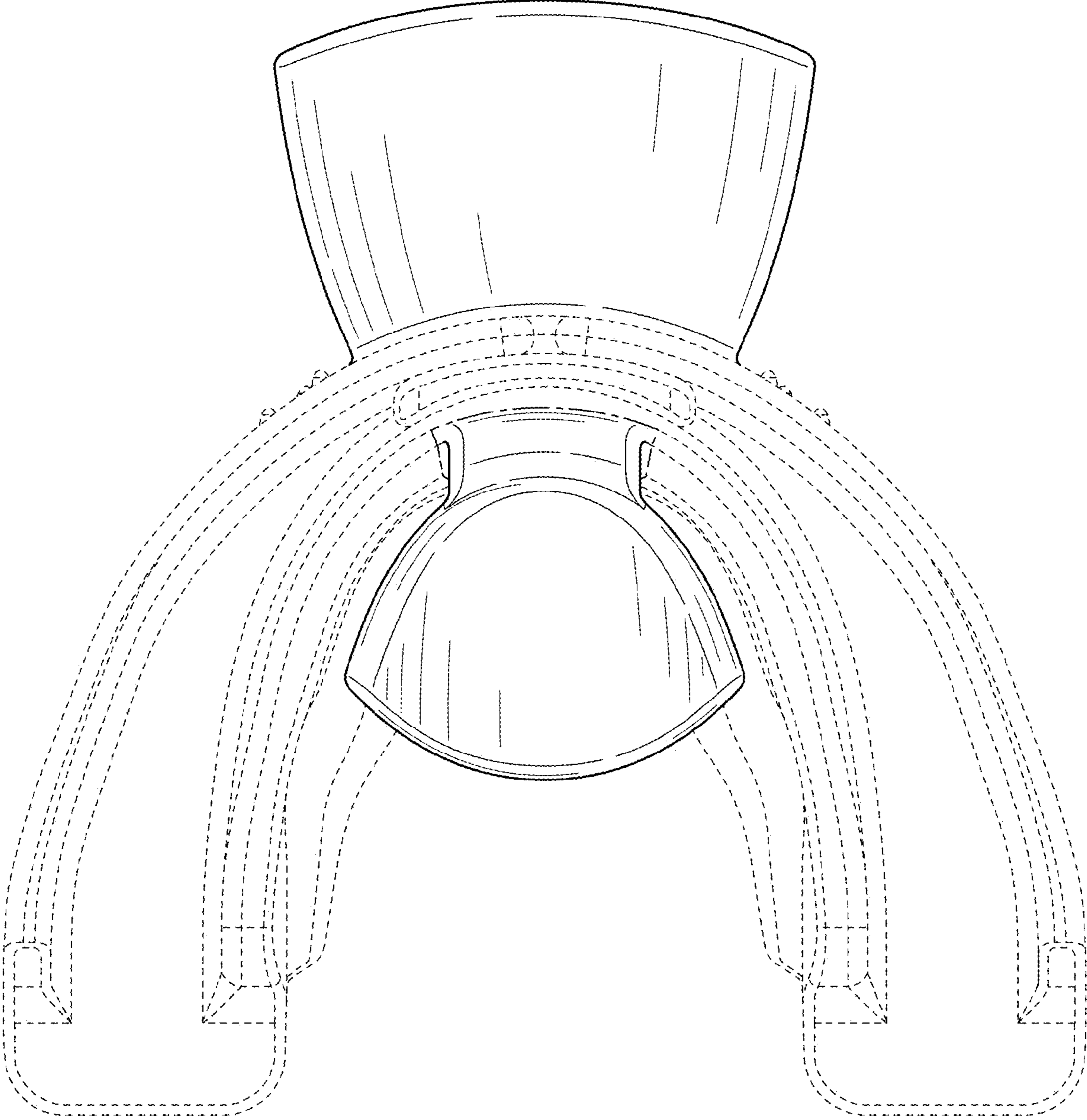


FIG. 6

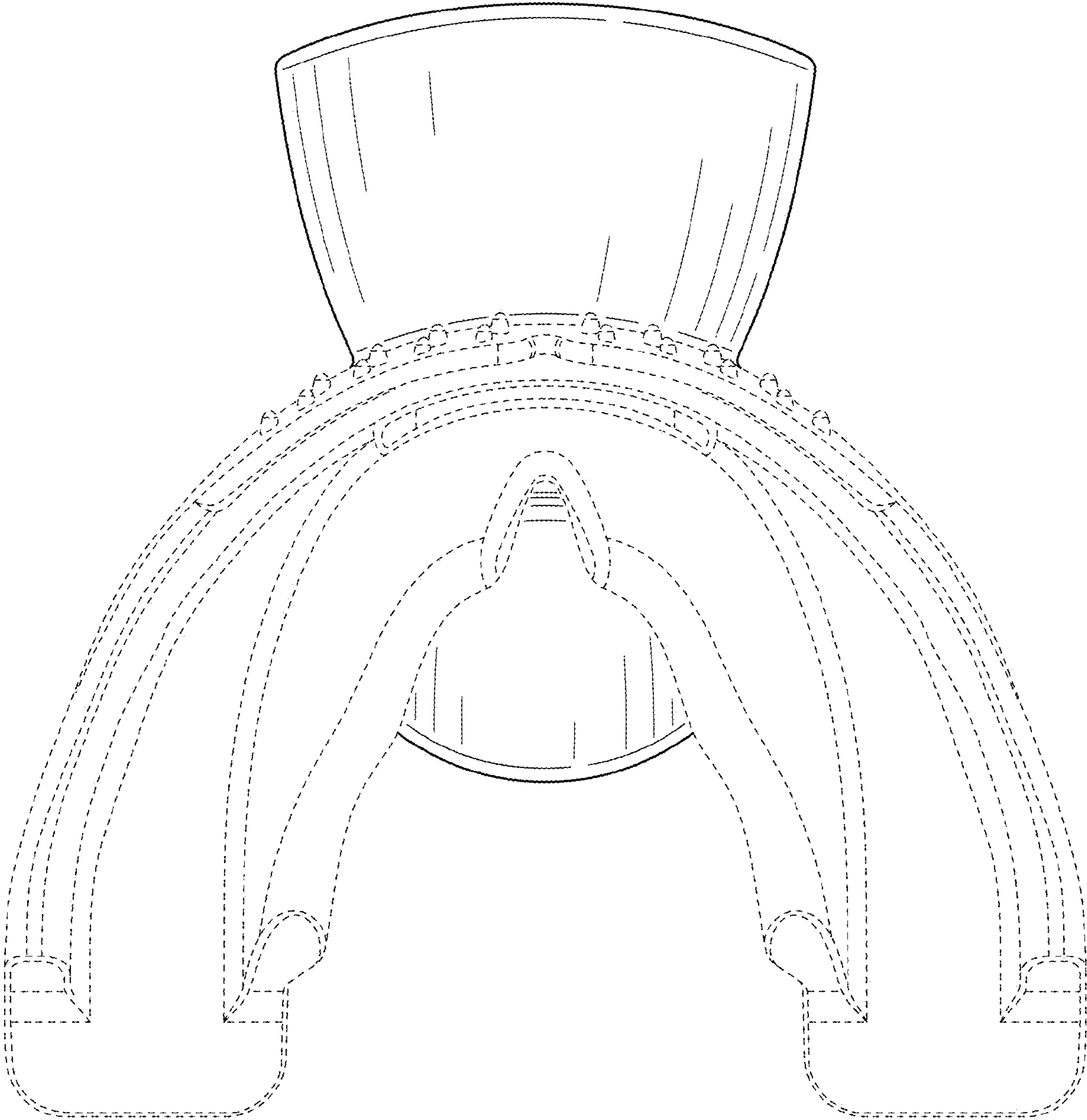


FIG. 7