



US00D890927S

(12) **United States Design Patent**
Chong

(10) **Patent No.:** **US D890,927 S**

(45) **Date of Patent:** **** Jul. 21, 2020**

(54) **MRI COIL**

(71) Applicant: **Time Medical Limited**, Shatin, NT
(HK)

(72) Inventor: **Sun Yiu Chong**, Shatin (HK)

(73) Assignee: **TIME MEDICAL LIMITED**, Hong
Kong (CN)

(**) Term: **15 Years**

(21) Appl. No.: **29/662,658**

(22) Filed: **Sep. 7, 2018**

(30) **Foreign Application Priority Data**

Aug. 22, 2018 (HK) 1801727

(51) **LOC (12) Cl.** **24-01**

(52) **U.S. Cl.**
USPC **D24/158**

(58) **Field of Classification Search**

USPC D24/107, 158–161, 186
CPC A61B 5/0042; A61B 5/055; A61B 6/03;
A61B 6/035; G01R 33/283; G01R
33/34084; G01R 33/34069; G01R
33/4806; G01R 33/4812; G03B 21/145;
G03B 21/30; G03B 21/54; G03B 21/585
See application file for complete search history.

(56) **References Cited**

U.S. PATENT DOCUMENTS

D380,832 S * 7/1997 Isshiki D24/158
D557,418 S * 12/2007 Onuma D24/158

D570,484 S * 6/2008 Kaneko D24/158
D591,862 S * 5/2009 Taniguchi D24/158
D726,917 S * 4/2015 Kim D24/158
9,116,212 B2 * 8/2015 Fischer G01R 33/30
D742,523 S * 11/2015 Sul D24/158
D862,698 S * 10/2019 Chen D24/158
2018/0136293 A1 * 5/2018 Xie A61B 5/055
2018/0252782 A1 * 9/2018 You G01R 33/34092

* cited by examiner

Primary Examiner — Anhdao Doan

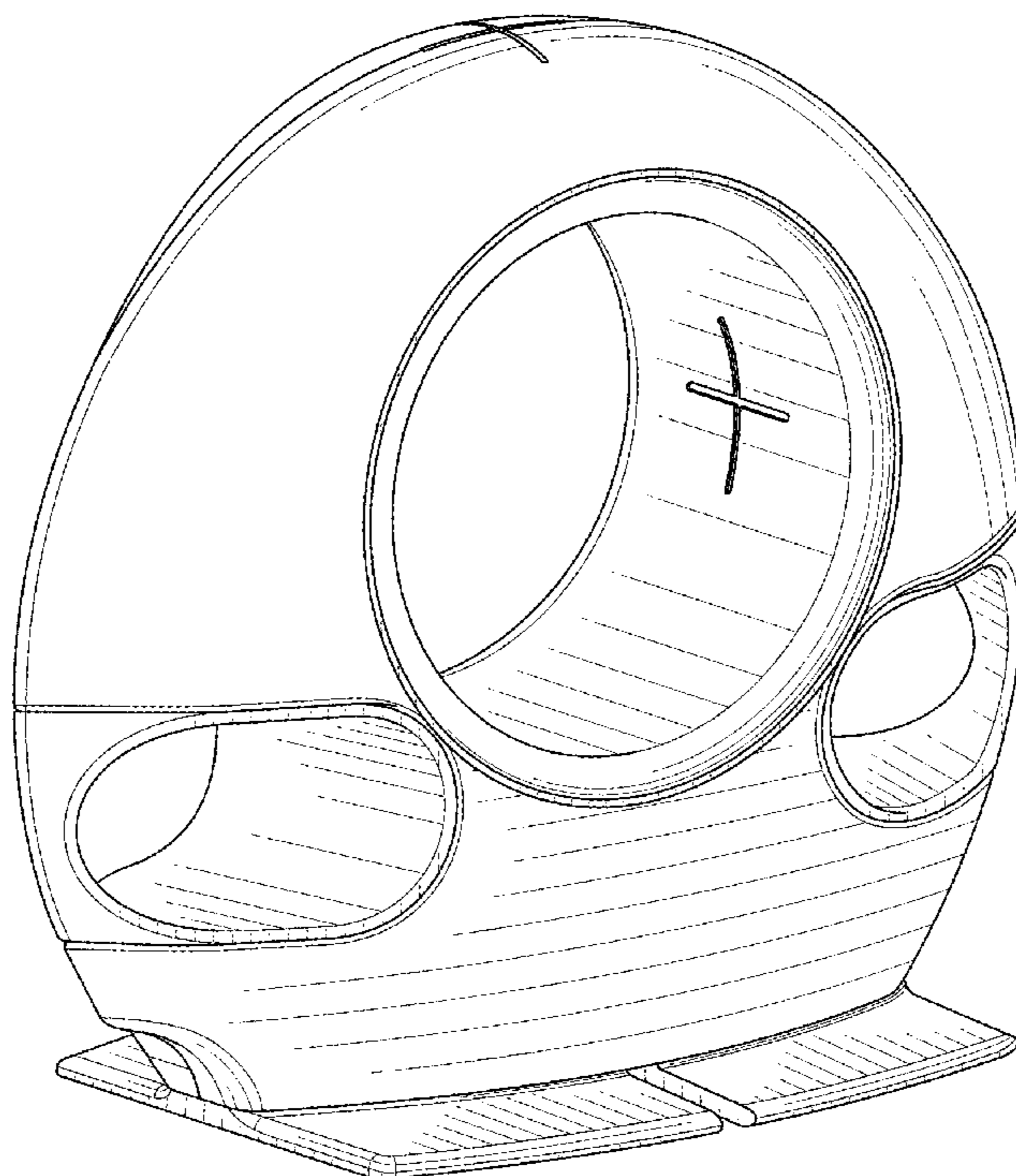
(57) **CLAIM**

The ornamental design for an MRI coil, as shown and described.

DESCRIPTION

FIG. 1 is a top front perspective view of an MRI coil, illustrated in accordance with the present disclosure; FIG. 2 is a bottom front perspective view thereof; FIG. 3 is a front view thereof; FIG. 4 is a back view thereof; FIG. 5 is a left side view thereof; FIG. 6 is a right side view thereof; FIG. 7 is a top view thereof; and, FIG. 8 is a bottom view thereof. The broken lines depict portions of the MRI coil that form no part of the claimed design; the broken lines form no part of the claimed design.

1 Claim, 7 Drawing Sheets



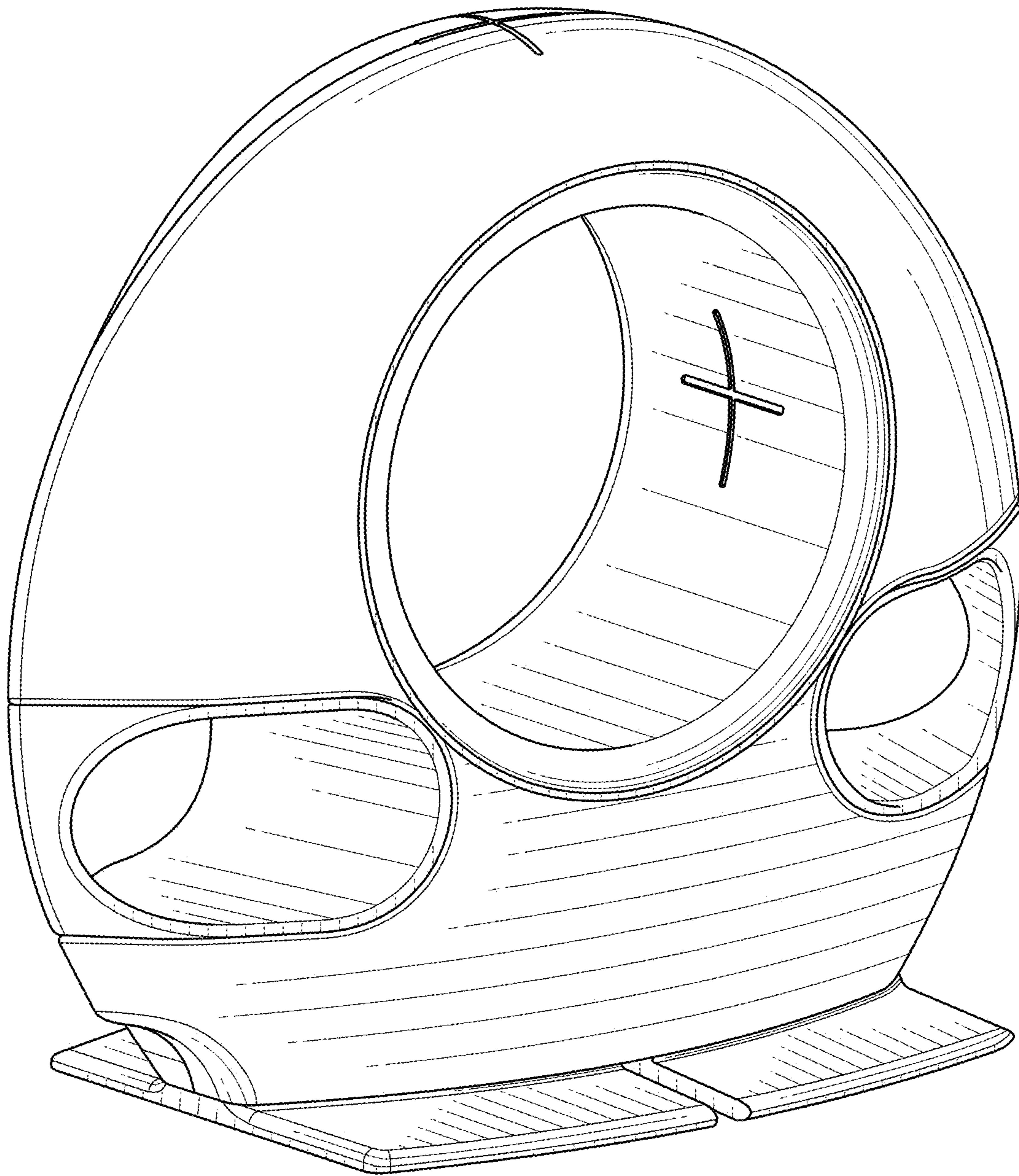


FIG. 1

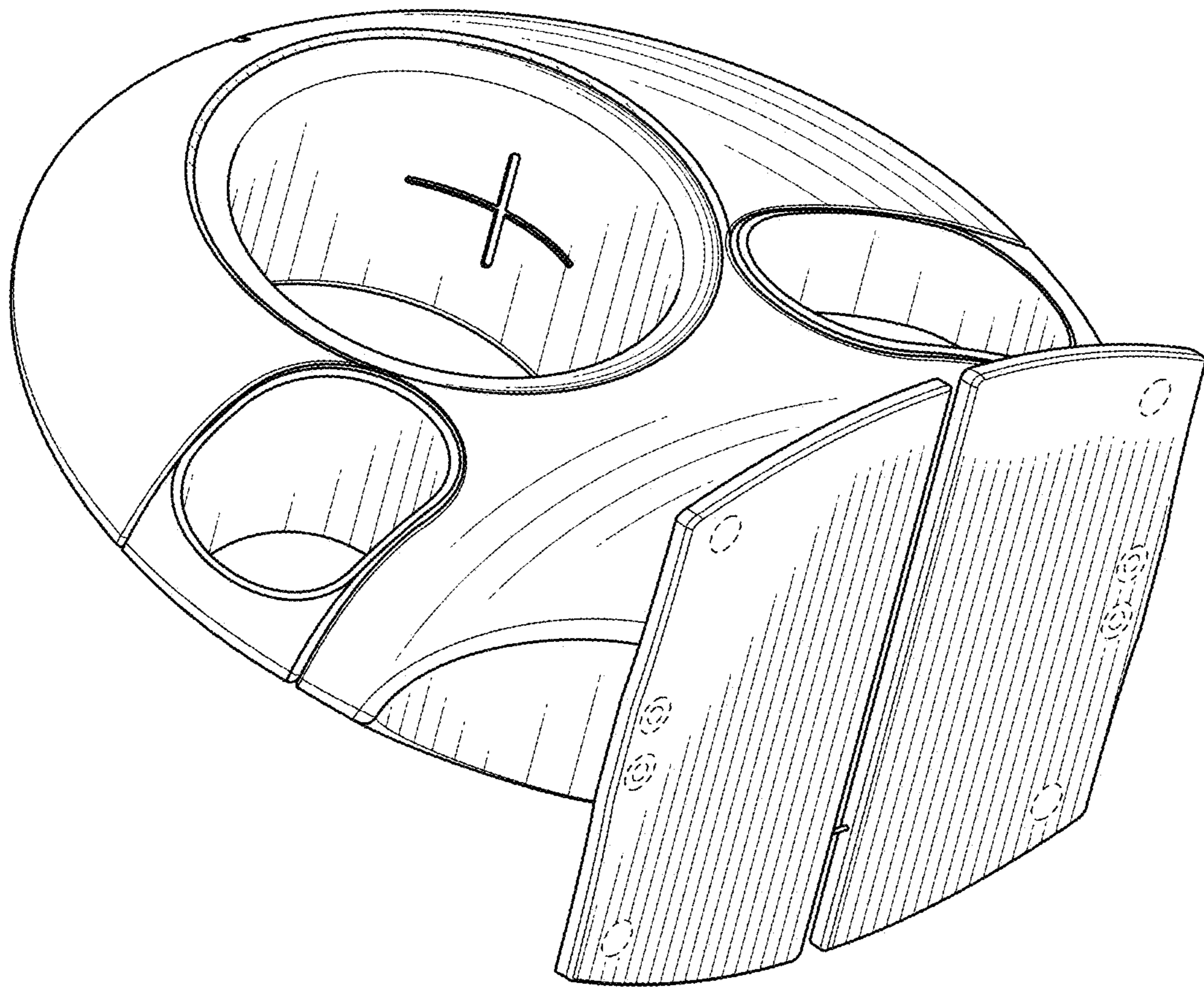


FIG. 2

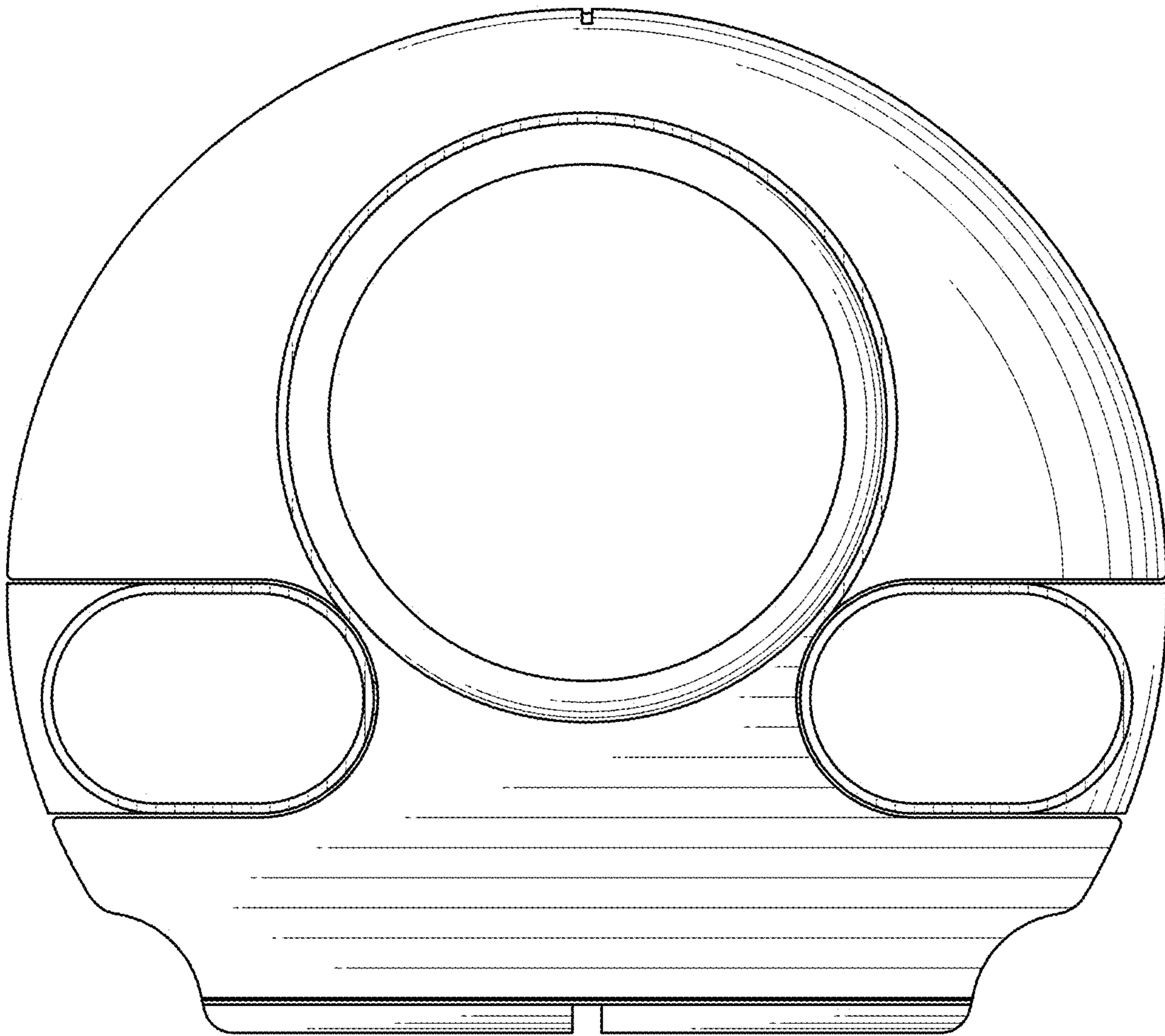


FIG. 3

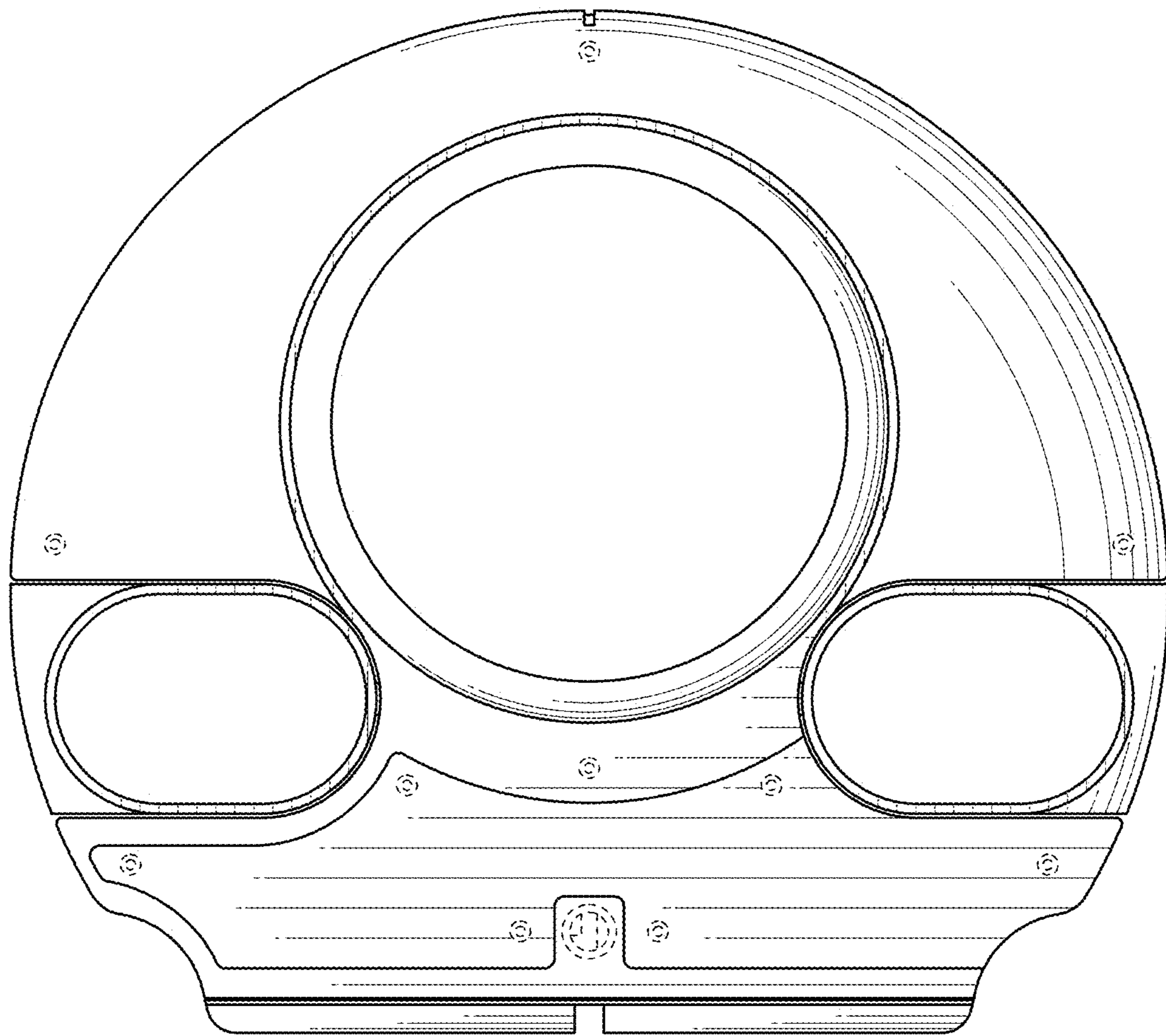


FIG. 4

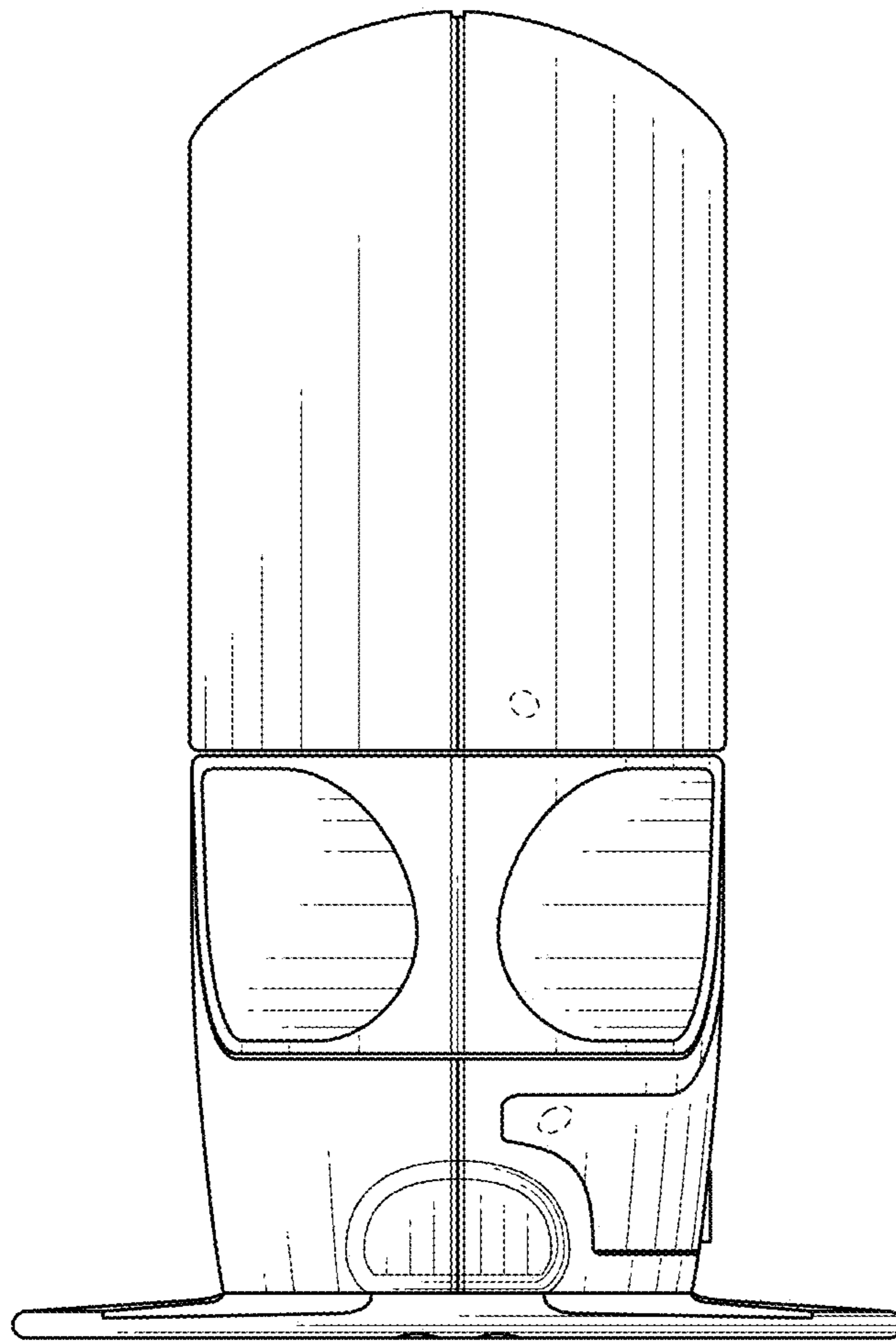


FIG. 5

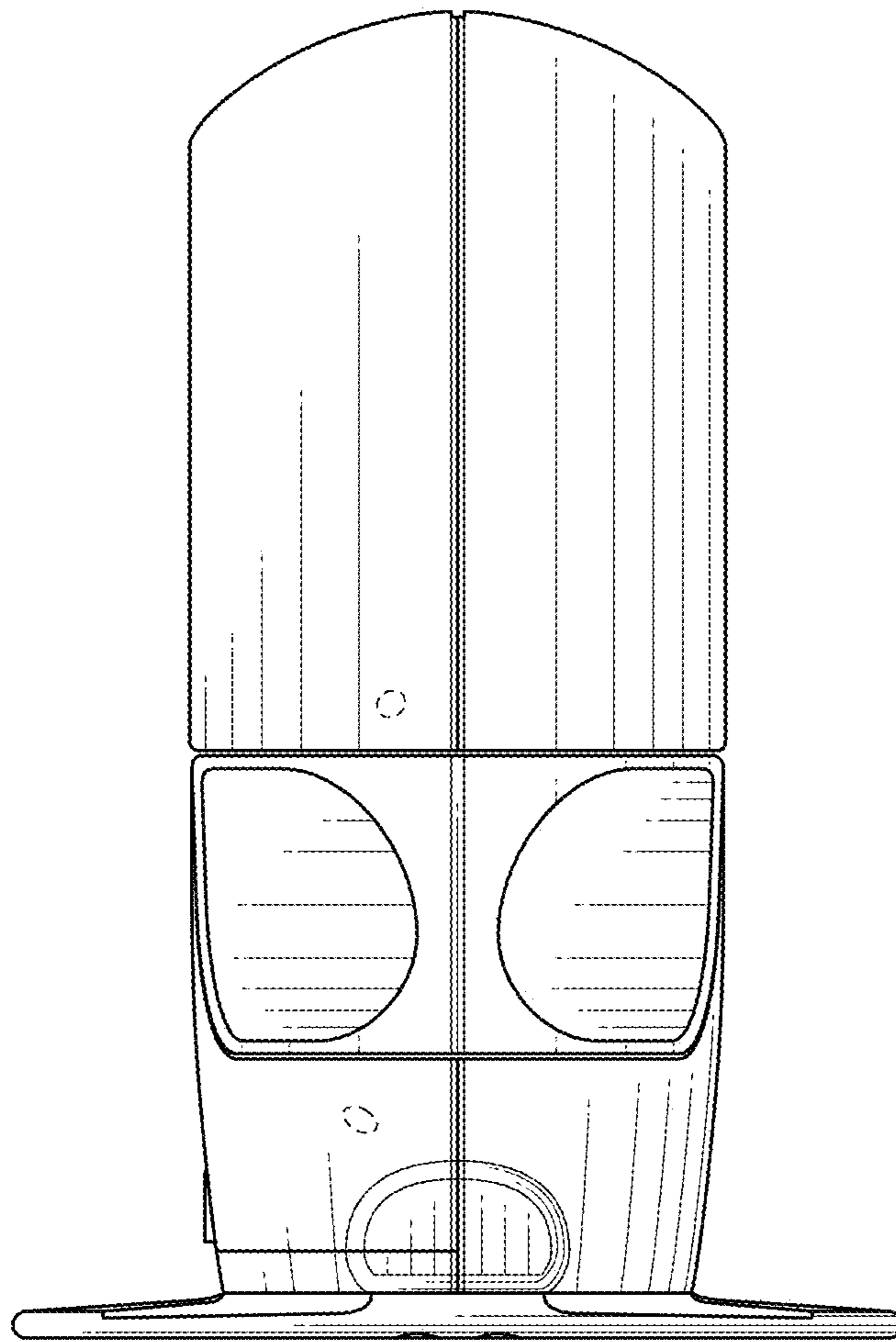


FIG. 6

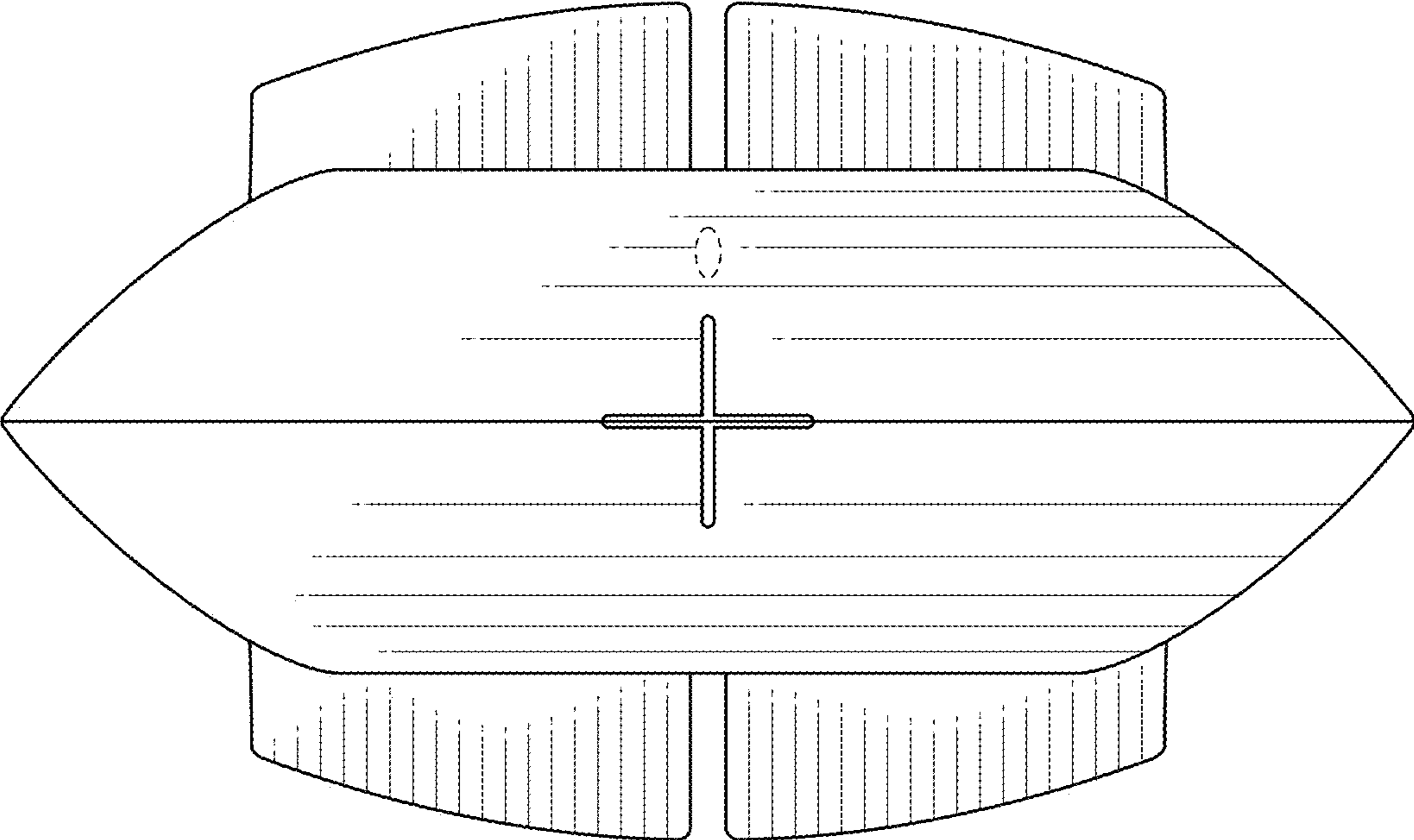


FIG. 7

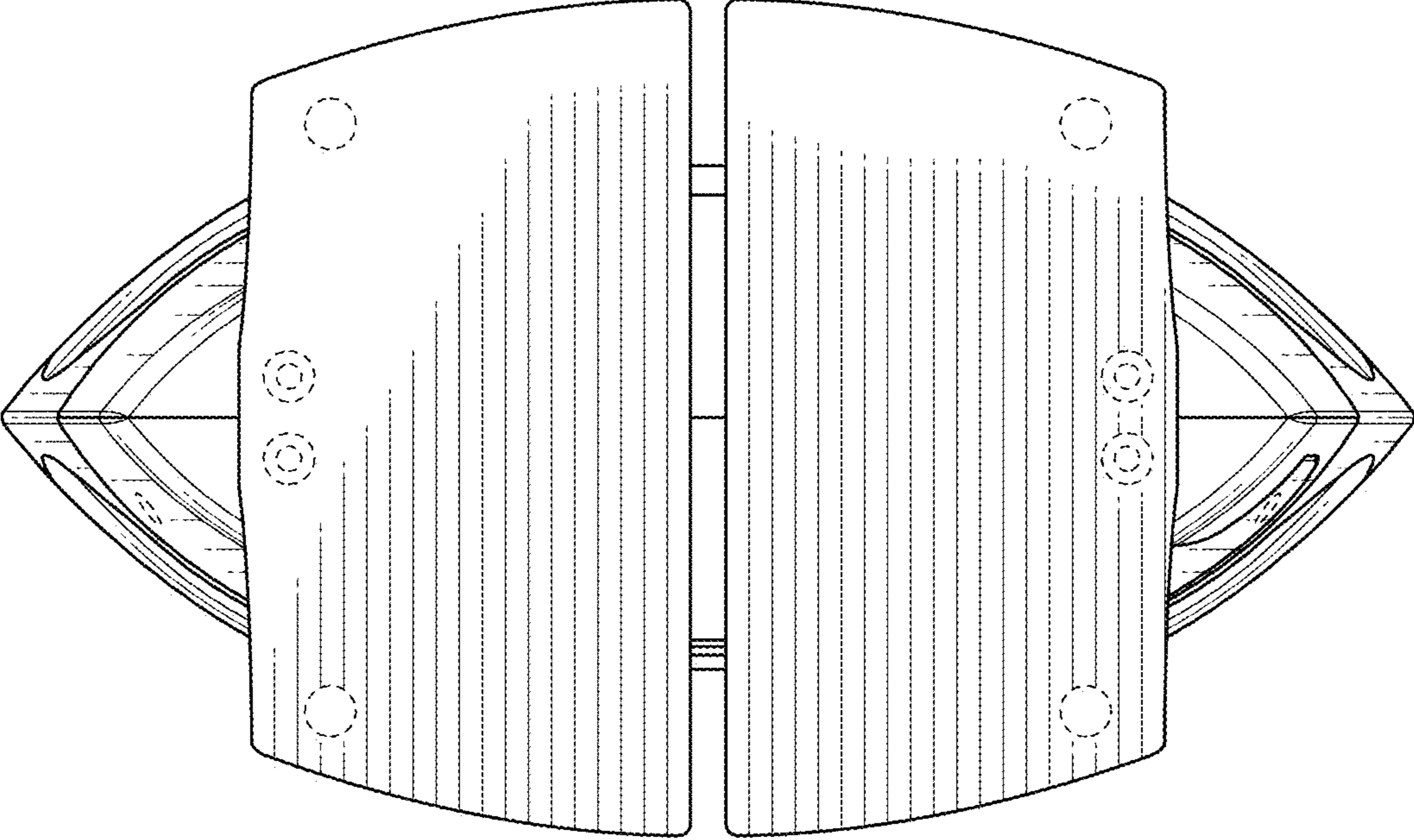


FIG. 8