



US00D890925S

(12) **United States Design Patent**  
**Doubet et al.**

(10) **Patent No.:** **US D890,925 S**  
(45) **Date of Patent:** **\*\* Jul. 21, 2020**

(54) **SYRINGE ADAPTER FOR MEDICATION**

FOREIGN PATENT DOCUMENTS

(71) Applicants: **James T. Doubet**, Parker, CO (US);  
**Paul D. Doubet**, Farmington, IL (US)

EP 1923086 B1 4/2012  
WO 2012/023955 A1 2/2012  
WO 2017/091643 A1 6/2017

(72) Inventors: **James T. Doubet**, Parker, CO (US);  
**Paul D. Doubet**, Farmington, IL (US)

OTHER PUBLICATIONS

(\*\*) Term: **15 Years**

In re James T. Doubet, U.S. Appl. No. 16/393,696, filed Apr. 24, 2019, Office Action, dated Jun. 27, 2019, 17 pages.

(21) Appl. No.: **29/710,061**

(Continued)

(22) Filed: **Oct. 20, 2019**

*Primary Examiner* — Nathan M Johnston

(74) *Attorney, Agent, or Firm* — Marcia L. Doubet

**Related U.S. Application Data**

(63) Continuation-in-part of application No. 16/166,111, filed on Oct. 21, 2018, which is a continuation-in-part of application No. 16/010,155, filed on Jun. 15, 2018, application No. 29/710,061, filed on Oct. 20, 2019, which is a continuation of application No. 16/563,896, filed on Sep. 8, 2019, which is a  
(Continued)

(57) **CLAIM**

We claim the ornamental design for a syringe adapter for medication, as shown and described.

**DESCRIPTION**

(51) **LOC (12) Cl.** ..... **24-02**

(52) **U.S. Cl.**  
USPC ..... **D24/129**

(58) **Field of Classification Search**  
USPC ..... D24/127–131, 112–114, 133, 186;  
606/181, 185; 604/264, 523–528, 272,  
604/187, 158, 164.01–164.11, 181, 184,  
604/227; 600/101, 139, 143;  
128/200.24, 207.14, 207.15  
CPC ..... A61J 1/2096; A61J 1/2048; A61J 1/1487;  
A61D 7/00; A61M 5/00  
See application file for complete search history.

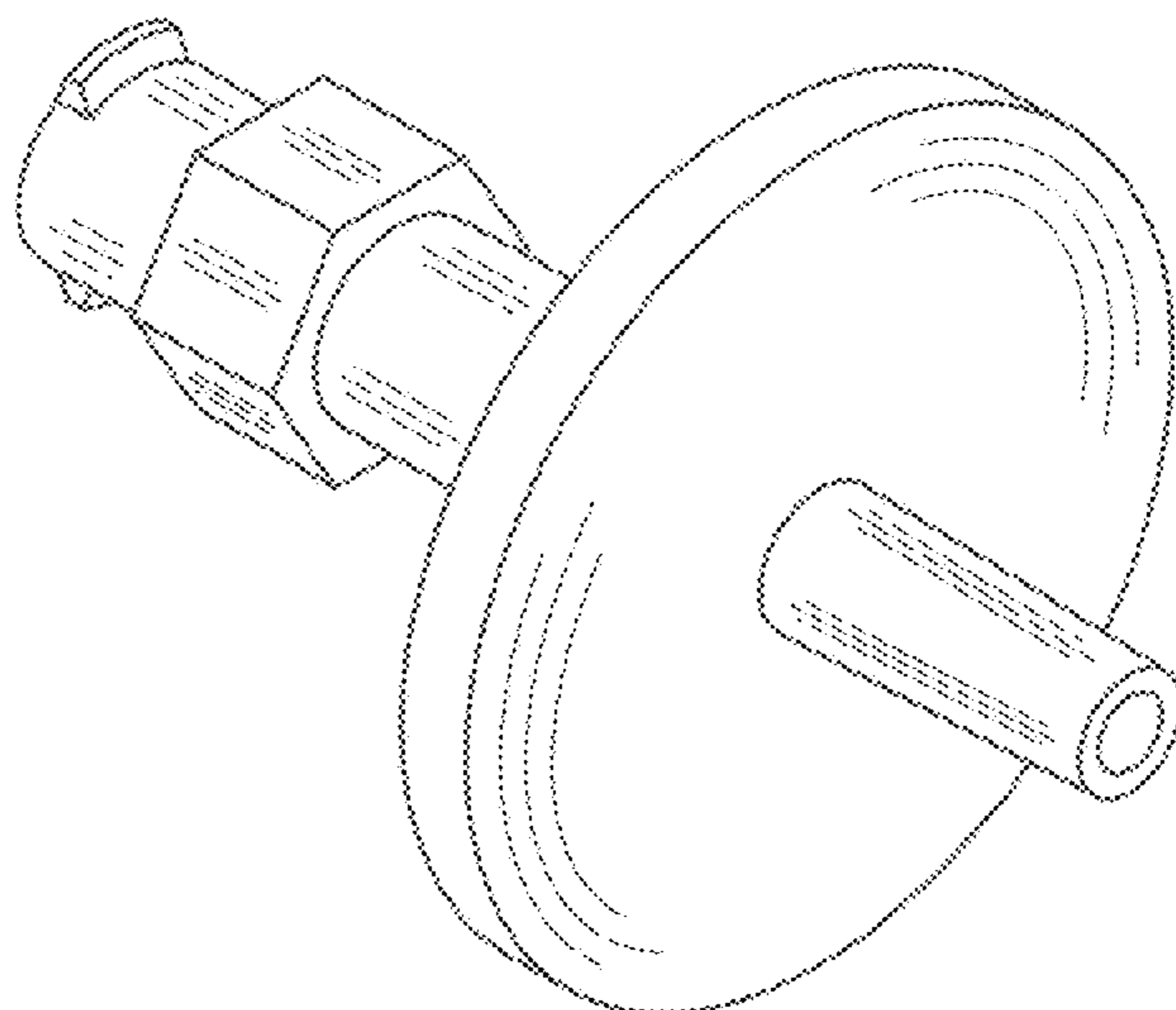
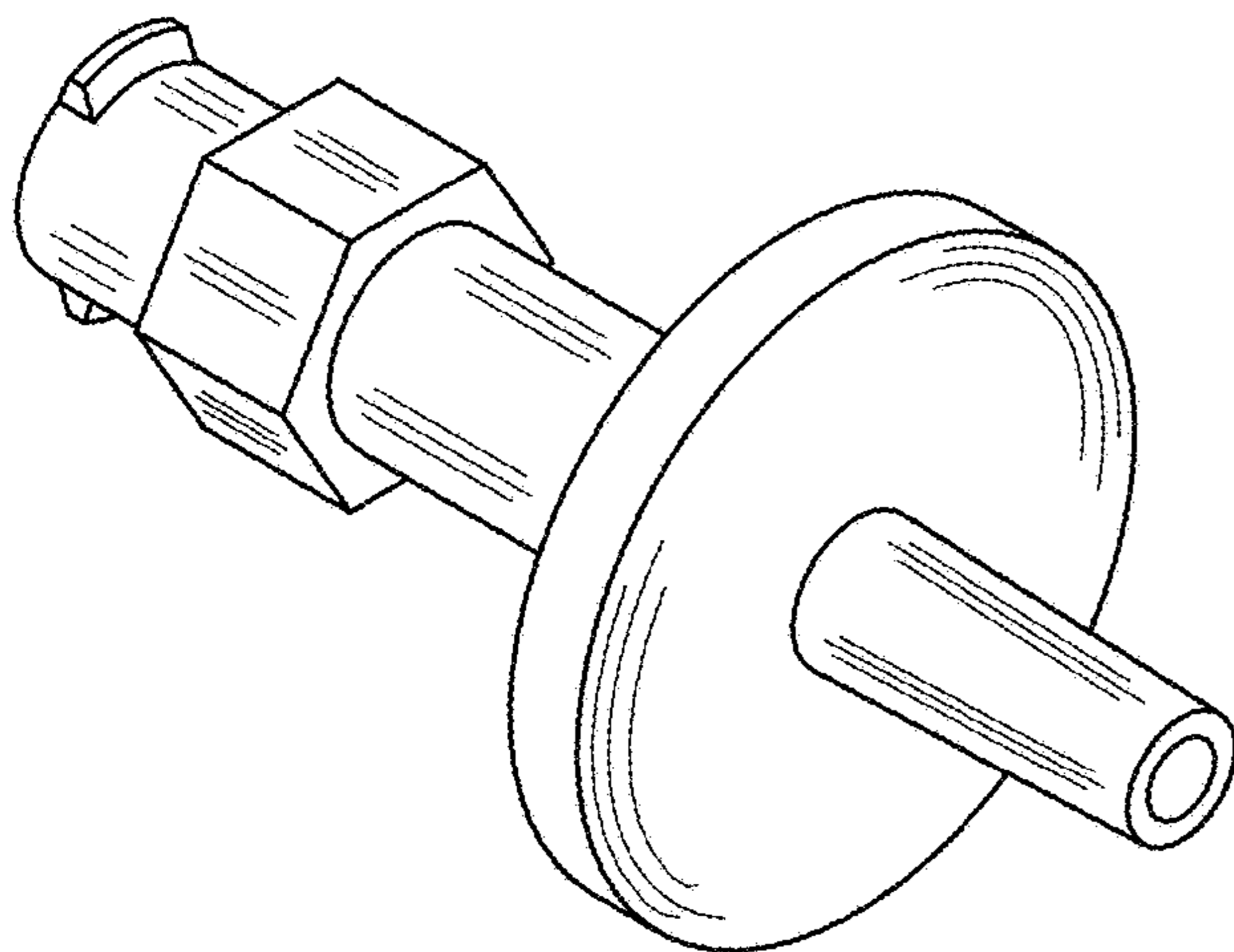
FIG. 1 is a perspective view of a syringe adapter, showing a first embodiment of our new design having a radial extension and a hexagonal element;  
FIG. 2 is a front view thereof, the back view being identical thereto;  
FIG. 3 is a top view thereof, the bottom view being identical thereto;  
FIG. 4 is a left-side view thereof;  
FIG. 5 is a right-side view thereof;  
FIG. 6 is a perspective view of a syringe adapter, showing a second embodiment of our new design having a radial extension with a different diameter and a hexagonal element;  
FIG. 7 is a front view thereof, the back view being identical thereto;  
FIG. 8 is a top view thereof, the bottom view being identical thereto;  
FIG. 9 is a left-side view thereof; and,  
FIG. 10 is a right-side view thereof.  
Features shown in the drawings using broken lines form no part of the claimed design.

(56) **References Cited**

U.S. PATENT DOCUMENTS

2,752,919 A 7/1956 Gabriel  
3,436,828 A 4/1969 Dragan  
(Continued)

**1 Claim, 5 Drawing Sheets**





**Related U.S. Application Data**

continuation-in-part of application No. 16/166,111,  
which is a continuation-in-part of application No.  
16/010,155.

(56)

**References Cited**

U.S. PATENT DOCUMENTS

3,958,570 A 5/1976 Vogelman et al.  
4,046,145 A 9/1977 Choksi et al.  
4,294,250 A 10/1981 Dennehey  
4,316,462 A 2/1982 Baker  
4,338,925 A 7/1982 Miller  
4,472,141 A 9/1984 Dragan  
4,664,655 A 5/1987 Orentreich et al.  
4,758,158 A 7/1988 Pierce et al.  
4,758,234 A 7/1988 Orentreich et al.  
D297,262 S \* 8/1988 Sternweiler ..... D24/112  
D297,365 S \* 8/1988 Barnett ..... D24/114  
4,852,584 A \* 8/1989 Selby ..... B01L 3/00  
600/573  
D310,722 S \* 9/1990 Broden ..... D24/112  
D315,583 S 3/1991 Larson et al.  
D320,082 S \* 9/1991 Wyatt ..... D24/129  
5,047,021 A 9/1991 Utterberg  
5,195,985 A 3/1993 Hall  
D338,531 S \* 8/1993 Howell ..... D24/193  
5,322,510 A 6/1994 Lindner et al.  
D358,882 S 5/1995 Metz et al.  
D368,304 S 3/1996 Morrison  
D380,037 S 6/1997 Grantham  
D381,425 S 7/1997 Cesarini et al.  
D382,639 S \* 8/1997 Musgrave ..... D24/108  
5,733,258 A 3/1998 Lane  
5,746,733 A 5/1998 Capaccio et al.  
D395,502 S 6/1998 Deily et al.  
D413,967 S 9/1999 Yuen  
6,117,113 A 9/2000 Novacek et al.  
D435,652 S \* 12/2000 Nazarifar ..... D23/262  
6,511,472 B1 1/2003 Hayman et al.  
D473,305 S 4/2003 Halseth  
D473,646 S \* 4/2003 Baillargeon ..... D24/129  
D474,839 S 5/2003 Francavilla et al.  
D484,593 S \* 12/2003 Baillargeon ..... D24/129  
D485,616 S 1/2004 Baillargeon et al.  
6,787,568 B1 9/2004 Mihalik  
6,790,867 B2 9/2004 Kohan et al.  
6,981,618 B2 1/2006 Reisinger  
D517,667 S 3/2006 Sener et al.  
D529,603 S \* 10/2006 Knickerbocker ..... D24/110  
7,347,458 B2 3/2008 Rome et al.  
7,472,932 B2 1/2009 Weber et al.  
7,682,343 B2 3/2010 Westbye  
7,699,609 B2 4/2010 Lawter et al.  
D617,429 S \* 6/2010 Govoni ..... D23/262  
8,034,845 B2 10/2011 Freehauf et al.  
8,044,102 B2 10/2011 Kohan et al.  
D671,639 S \* 11/2012 Trifilio ..... D24/128  
D672,052 S \* 12/2012 Bucher ..... D24/224  
D693,923 S \* 11/2013 Hernandez ..... D24/129  
D709,187 S \* 7/2014 Li ..... A61M 39/12  
D24/129  
D714,935 S 10/2014 Nishioka et al.  
D716,916 S 11/2014 Snow  
8,961,490 B2 \* 2/2015 Musani ..... A61M 5/1782  
604/415  
D731,065 S \* 6/2015 Winter ..... D24/110  
D731,647 S 6/2015 Nishioka et al.  
D736,915 S 8/2015 Schultz  
D739,523 S \* 9/2015 Booth ..... D24/110

9,295,788 B2 3/2016 Green  
D757,233 S 5/2016 Vaz et al.  
D760,376 S 6/2016 Korneliusson et al.  
D773,659 S \* 12/2016 Cain ..... D24/129  
D777,888 S 1/2017 Vaz et al.  
D799,032 S 10/2017 Becker  
D811,586 S \* 2/2018 Bureau ..... D24/112  
D816,211 S 4/2018 Guala  
D818,580 S 5/2018 Khabiri et al.  
D825,737 S \* 8/2018 Yokoyama ..... D24/108  
D831,202 S \* 10/2018 Ratner ..... D24/129  
D841,499 S 2/2019 Drewes et al.  
D851,240 S \* 6/2019 Baid ..... A61M 5/1411  
D24/112  
D851,759 S 6/2019 Jones et al.  
D865,954 S 11/2019 Mottola et al.  
D873,997 S \* 1/2020 Ljunglof ..... D24/130  
2002/0099360 A1 \* 7/2002 Bierman ..... A61M 39/10  
604/523  
2002/0133124 A1 9/2002 Leinsing et al.  
2002/0173753 A1 11/2002 Caizza et al.  
2003/0236501 A1 12/2003 Donnan et al.  
2004/0068266 A1 4/2004 Delmotte  
2006/0270996 A1 11/2006 Fojtik  
2007/0060898 A1 3/2007 Shaughnessy et al.  
2007/0203451 A1 8/2007 Murakami et al.  
2008/0188816 A1 8/2008 Shimazaki et al.  
2008/0287884 A1 11/2008 Warden et al.  
2009/0182284 A1 7/2009 Morgan  
2009/0227894 A1 9/2009 Fojtik  
2010/0249650 A1 9/2010 Hikawa et al.  
2011/0028909 A1 2/2011 Lum et al.  
2013/0018354 A1 1/2013 Sund et al.  
2013/0178806 A1 7/2013 Felix-Faure et al.  
2014/0066840 A1 3/2014 Mantell  
2014/0261860 A1 9/2014 Heath et al.

OTHER PUBLICATIONS

“List of Patents or Patent Applications to be Treated as Related”.  
Oct. 24, 2019. 2 pages.  
PCT Application PCT/US2019/036774, International Search Report  
dated Sep. 16, 2019 (2 pages).  
PCT Application PCT/US2019/036774, Written Opinion of the  
International Searching Authority dated Sep. 16, 2019 (5 pages).  
Colomer, S., et al., “Syringeability and Viscosity Comparative of  
Different Florfenicol Formulations”, publication date unknown,  
printed from [http://marketing.hipra.com/SELECTNEWS/trials/  
Syringeability\\_viscosity\\_comparative\\_of\\_FLORFENICOL\\_  
formulations.pdf](http://marketing.hipra.com/SELECTNEWS/trials/Syringeability_viscosity_comparative_of_FLORFENICOL_formulations.pdf) on May 14, 2018. 1 page.  
PCT Application PCT/US2019/062926, International Search Report  
dated Feb. 12, 2020 (2 pages).  
PCT Application PCT/US2019/062926, Written Opinion of the  
International Searching Authority dated Feb. 12, 2020 (6 pages).  
PCT Application PCT/US2019/056282, International Search Report  
dated Jan. 7, 2020 (2 pages).  
PCT Application PCT/US2019/056282, Written Opinion of the  
International Searching Authority dated Jan. 7, 2020 (5 pages).  
In re James T. Doubet, U.S. Appl. No. 16/393,696, filed Apr. 24,  
2019, Office Action, dated Jan. 10, 2020, 16 pages.  
In re James T. Doubet, et al., U.S. Appl. No. 16/563,896, filed Sep.  
8, 2019, Office Action, dated Jan. 10, 2020, 11 pages.  
In re James T. Doubet, et al., U.S. Appl. No. 16/698,471, filed Nov.  
27, 2019, Office Action, dated Jan. 10, 2020, 14 pages.  
“(Revised) List of Patents or Patent Applications to be Treated as  
Related”. Mar. 4, 2020. 2 pages.  
In re James T. Doubet, et al., U.S. Appl. No. 29/715,259, filed Nov.  
29, 2019, Office Action, dated Mar. 17, 2020, 8 pages.

\* cited by examiner

FIG. 1

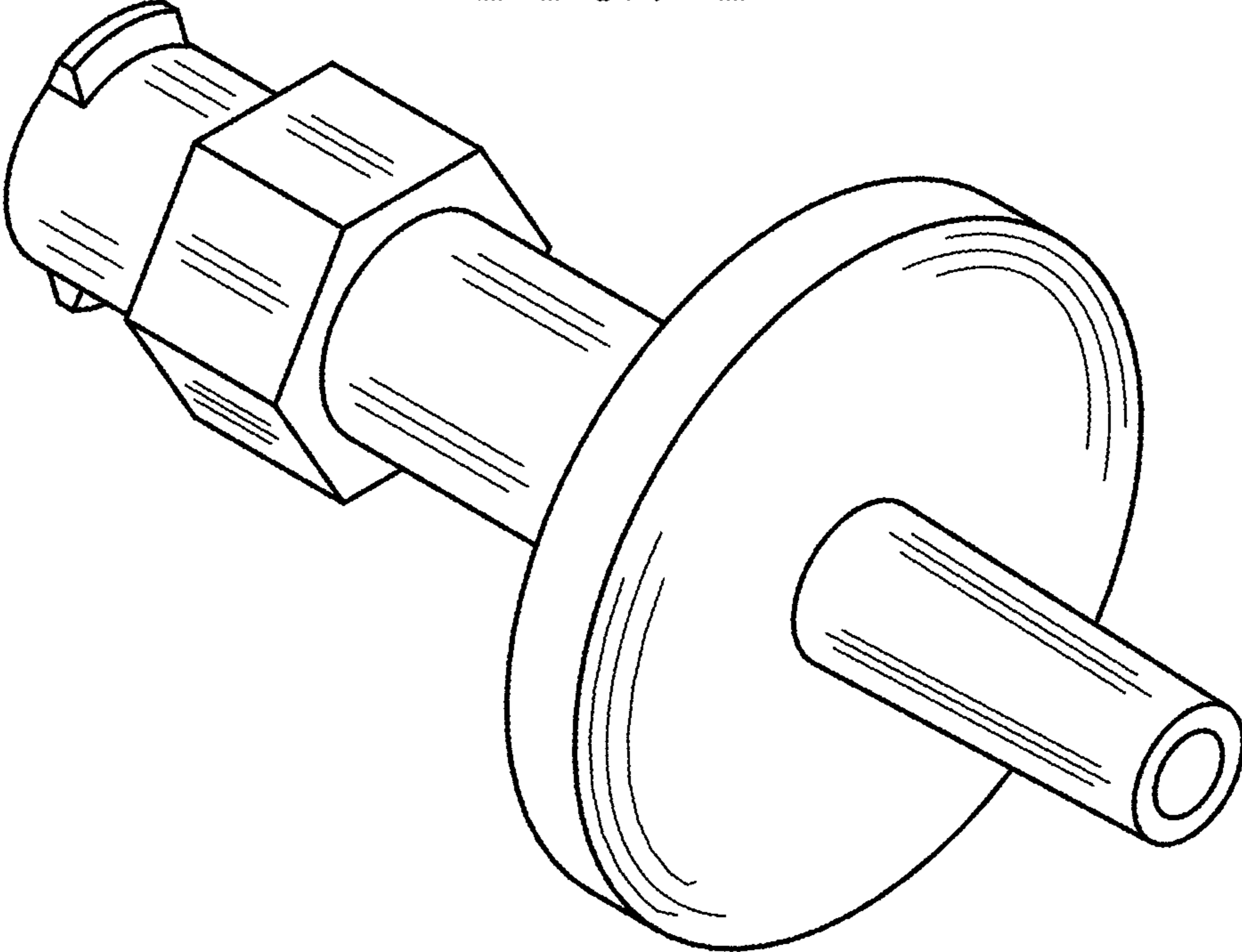


FIG. 2

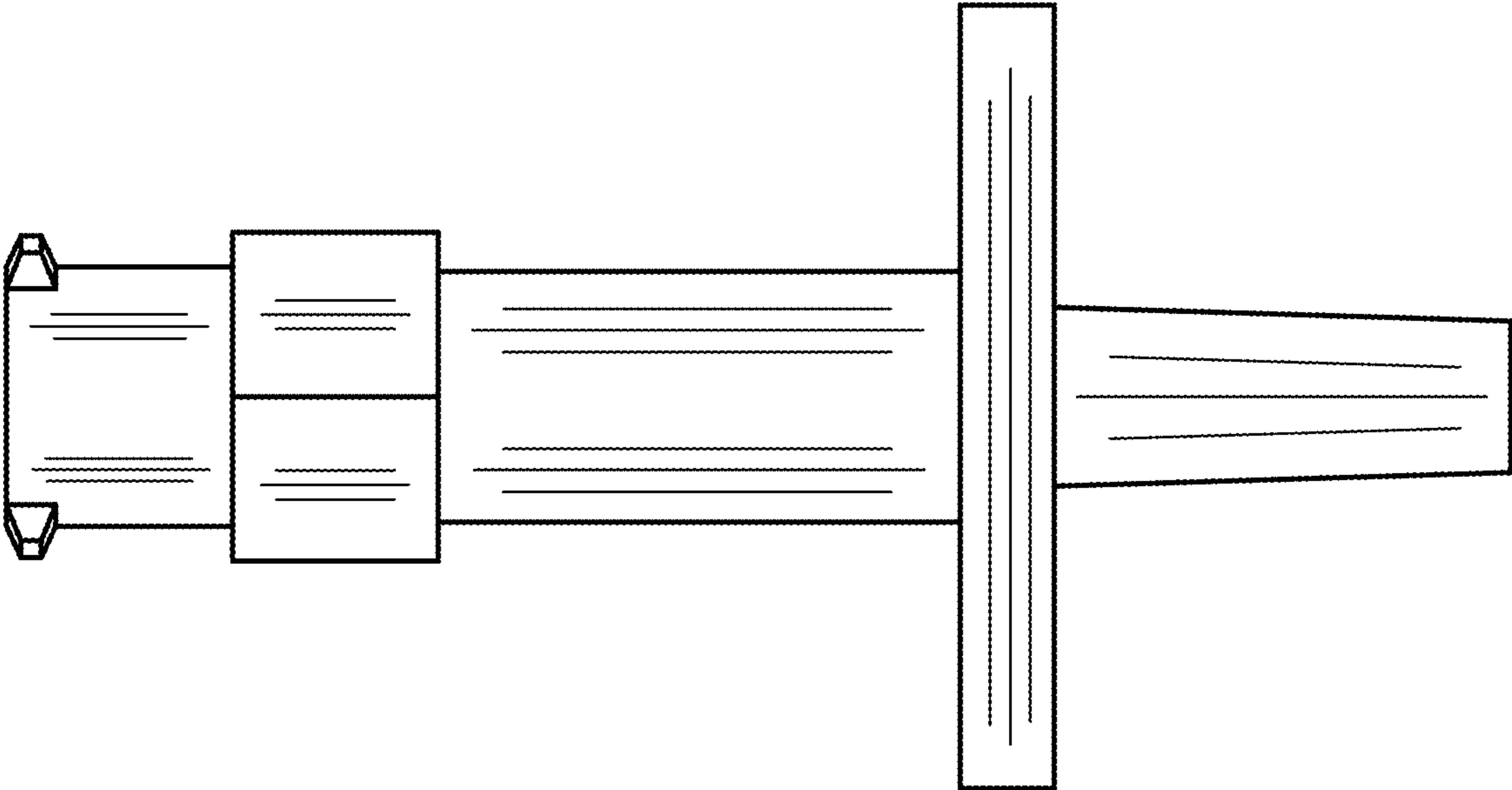


FIG. 3

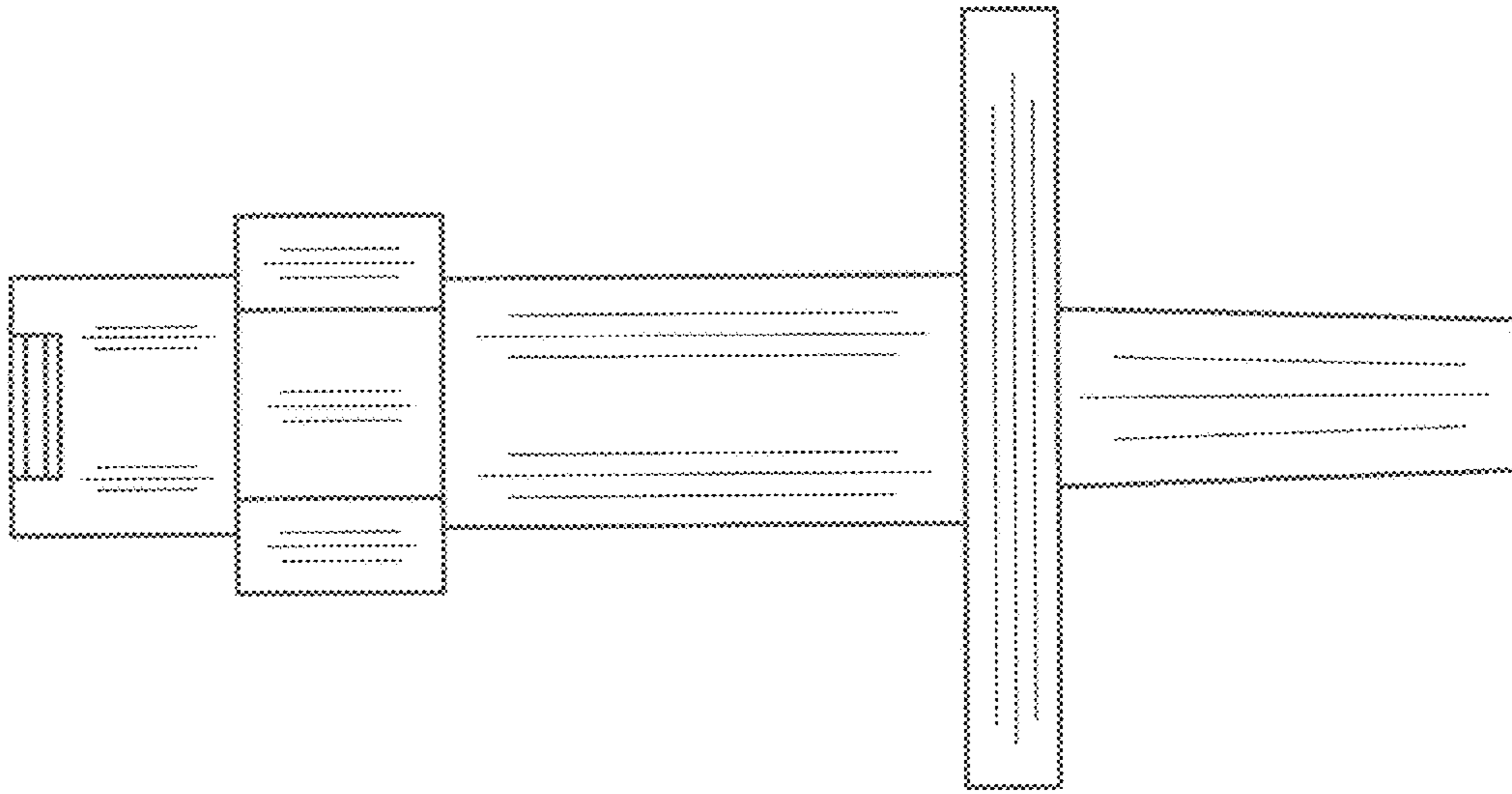


FIG. 4

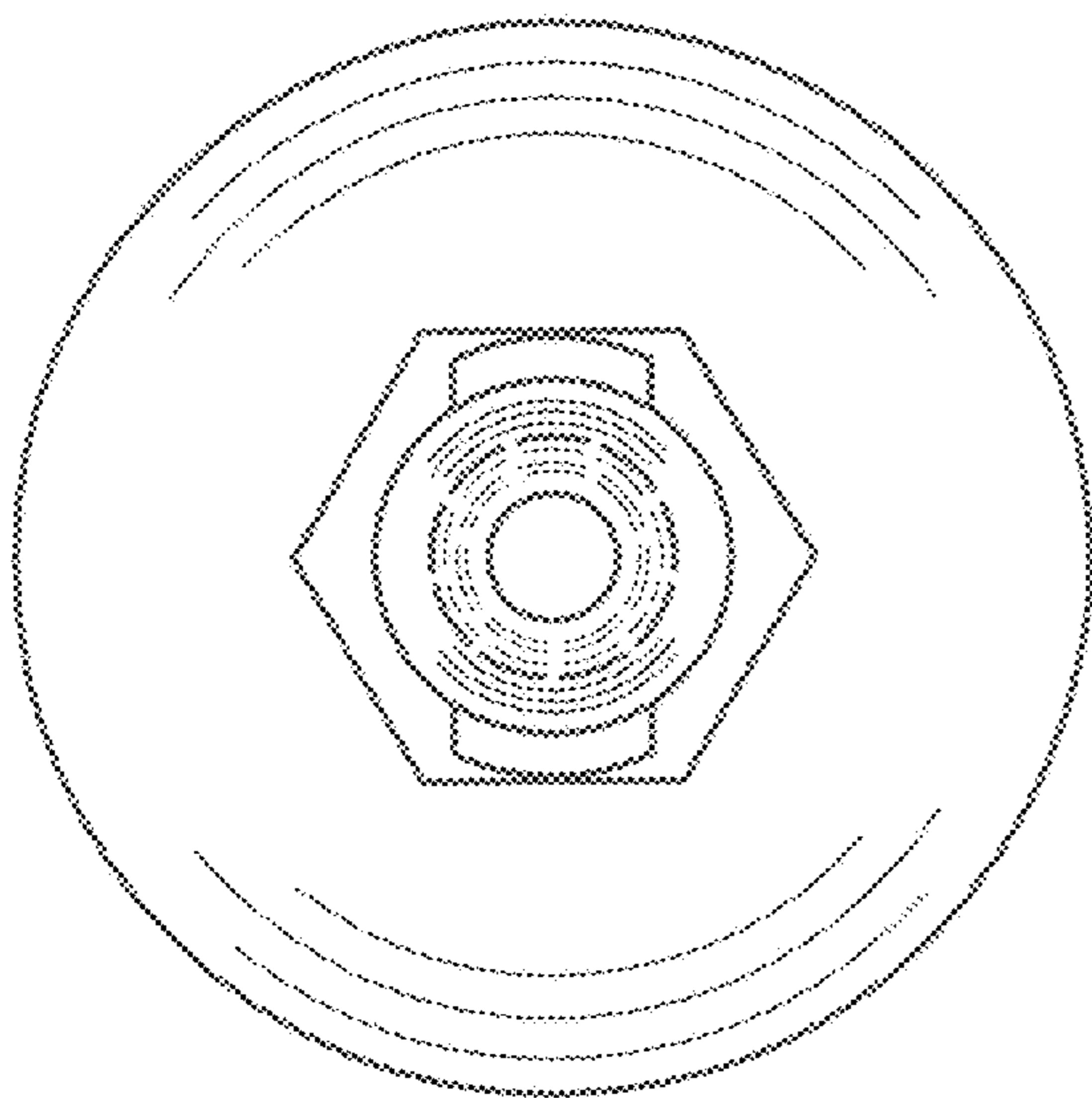


FIG. 5

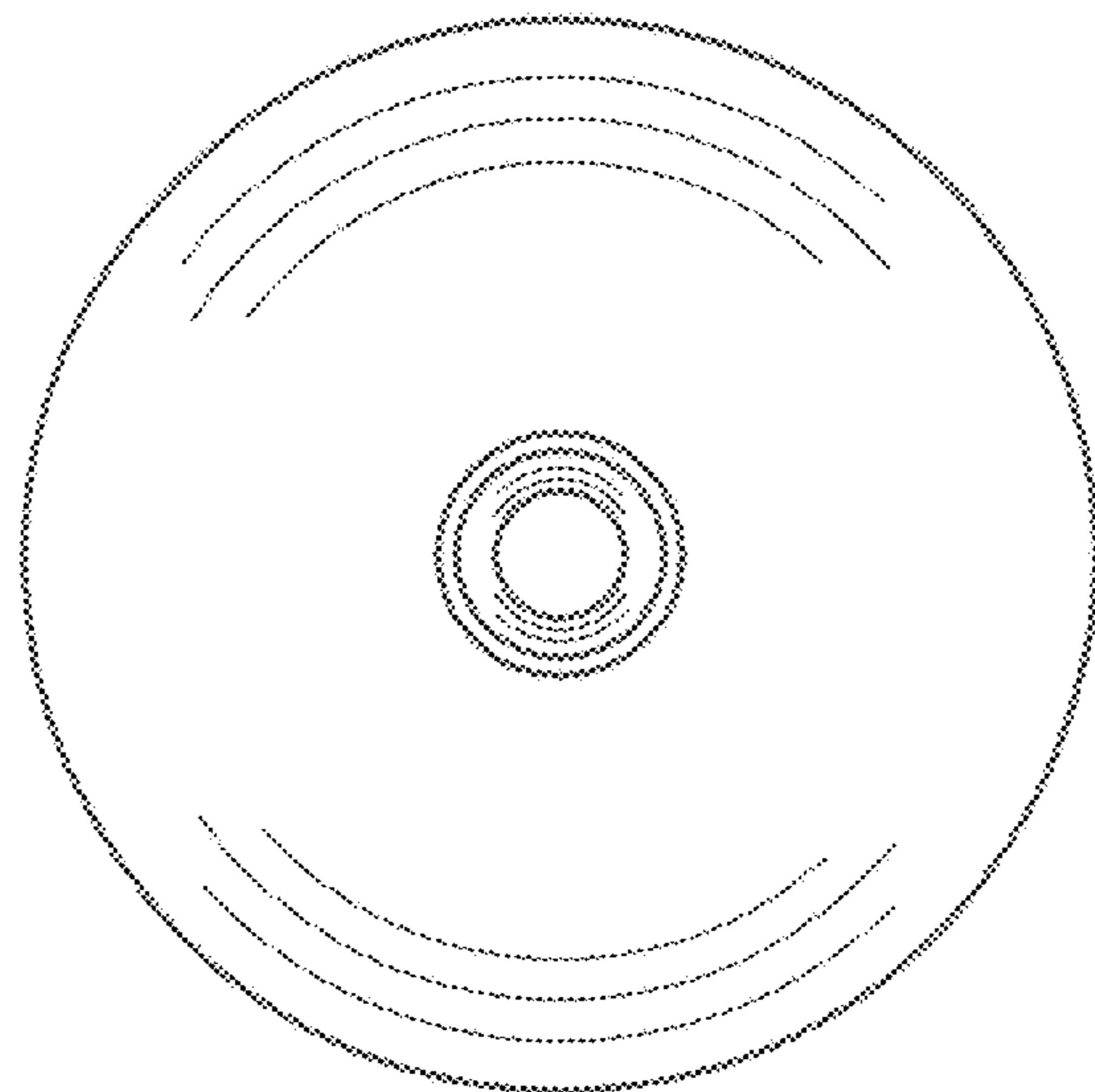




FIG. 6

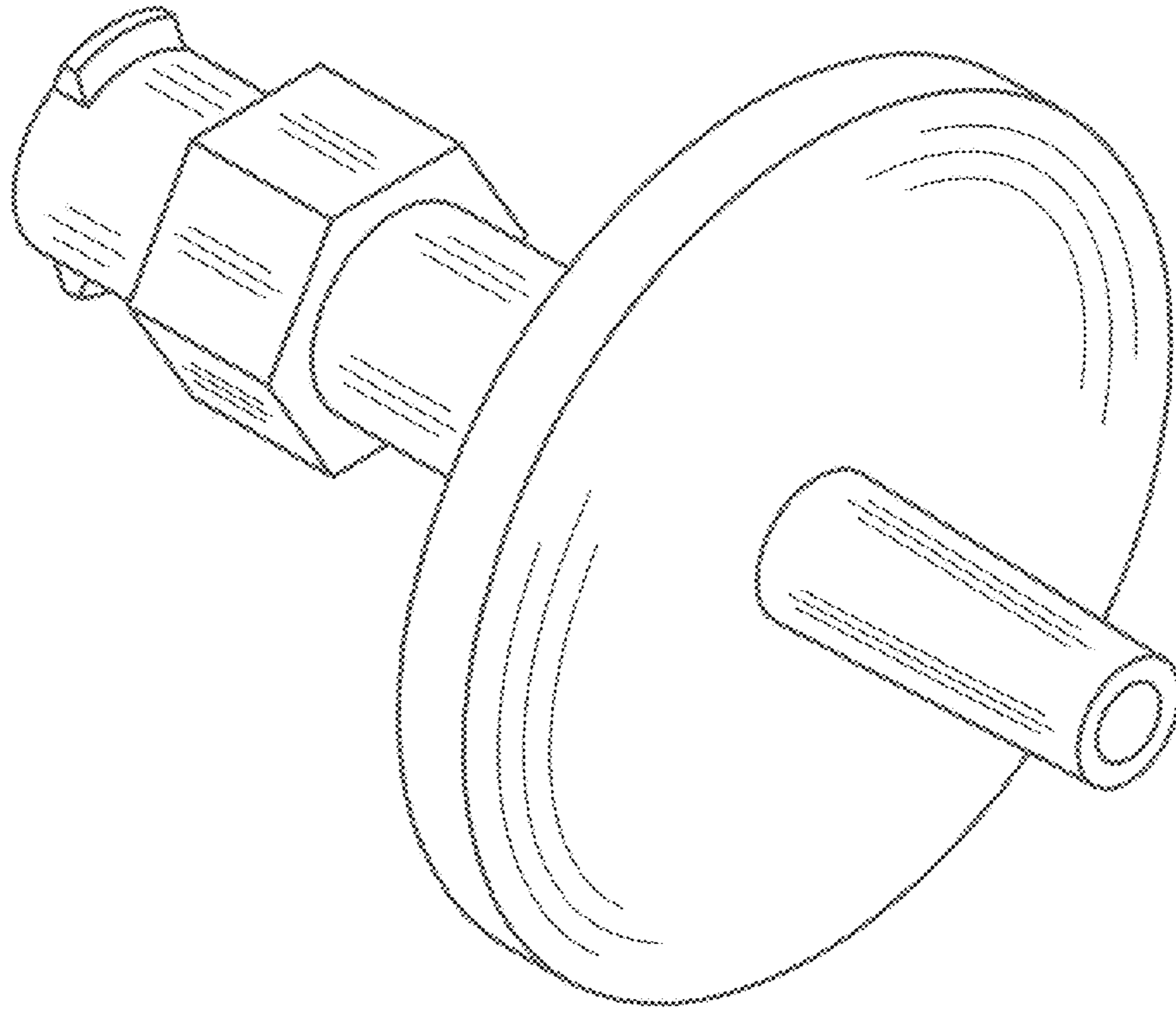


FIG. 7

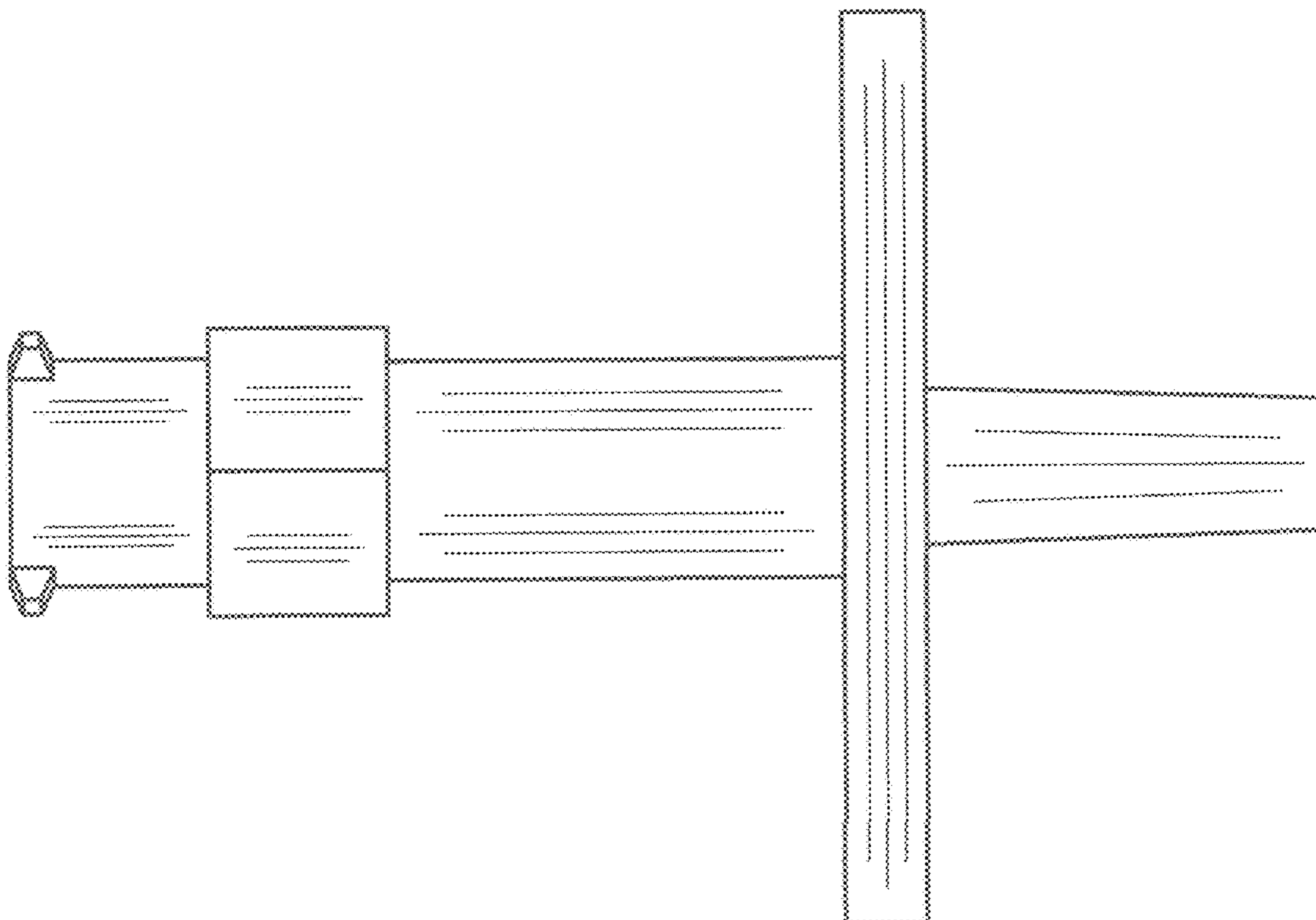


FIG. 8

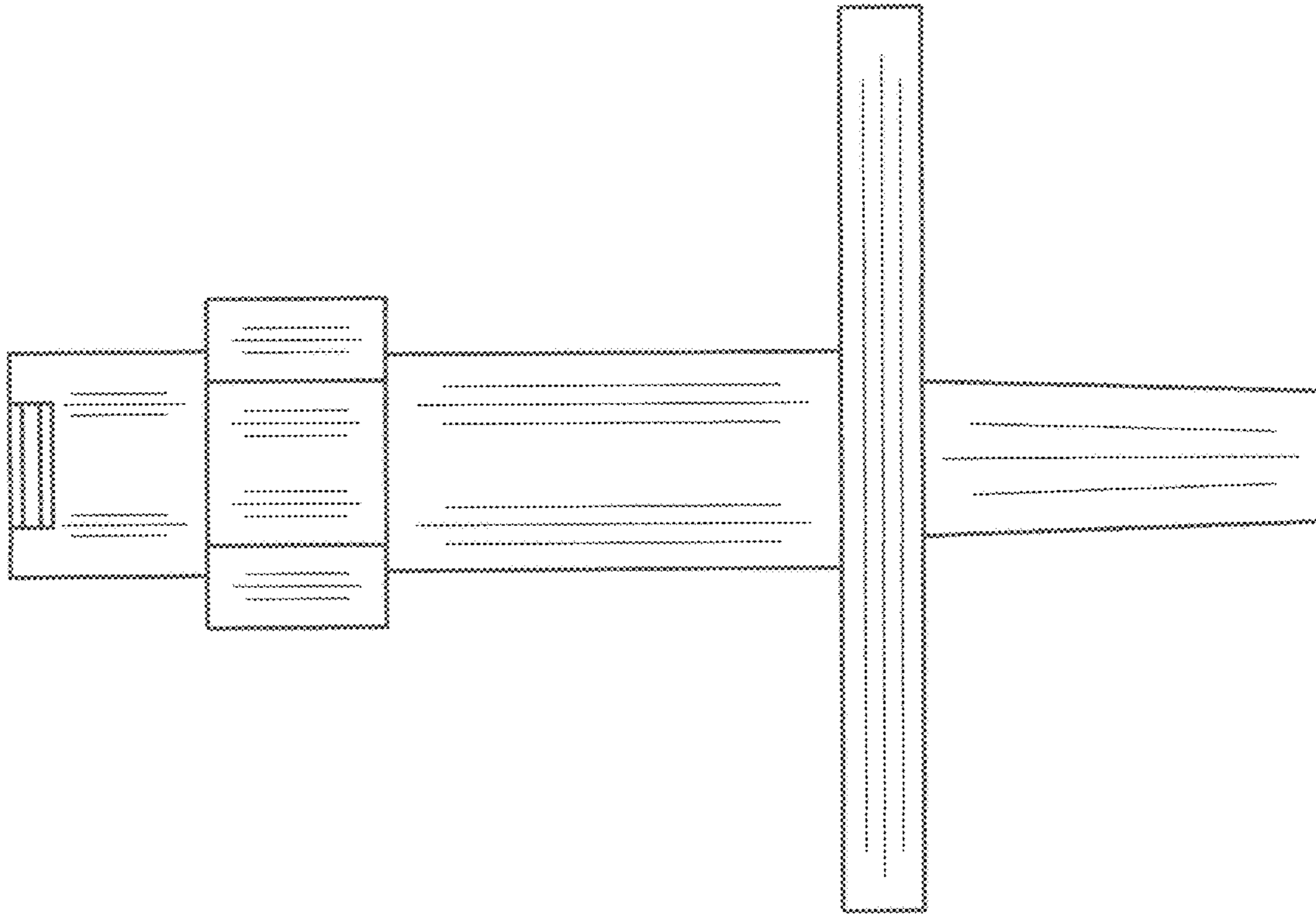


FIG. 9

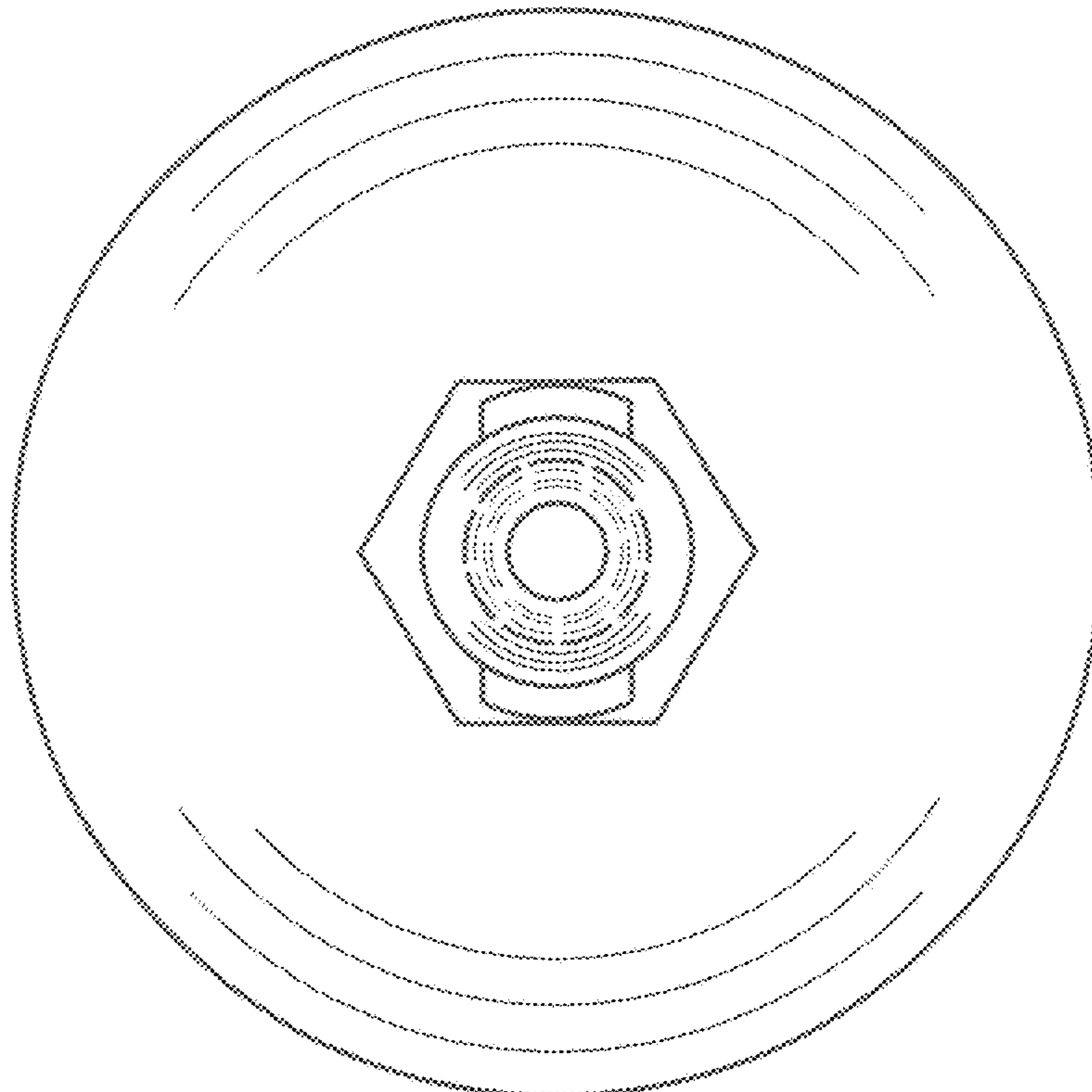
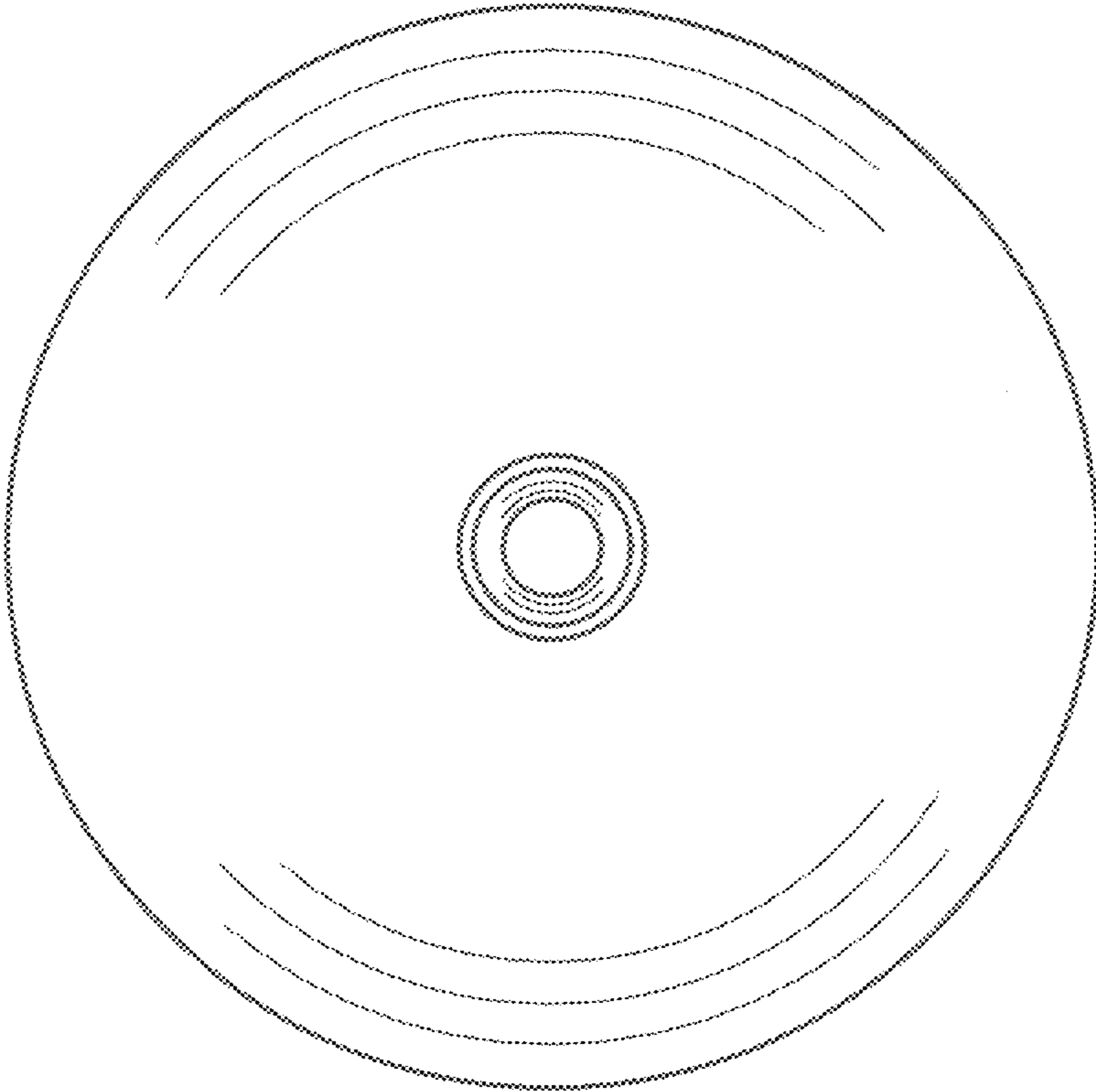


FIG. 10



UNITED STATES PATENT AND TRADEMARK OFFICE  
**CERTIFICATE OF CORRECTION**

PATENT NO. : D890,925 S  
APPLICATION NO. : 29/710061  
DATED : July 21, 2020  
INVENTOR(S) : James T. Doubet and Paul D. Doubet

Page 1 of 6

It is certified that error appears in the above-identified patent and that said Letters Patent is hereby corrected as shown below:

In the Drawings

Please replace FIGS. 1-10 with FIGS. 1-10 as shown on the attached pages.

Signed and Sealed this  
Sixth Day of July, 2021



Drew Hirshfeld  
*Performing the Functions and Duties of the  
Under Secretary of Commerce for Intellectual Property and  
Director of the United States Patent and Trademark Office*



FIG. 1

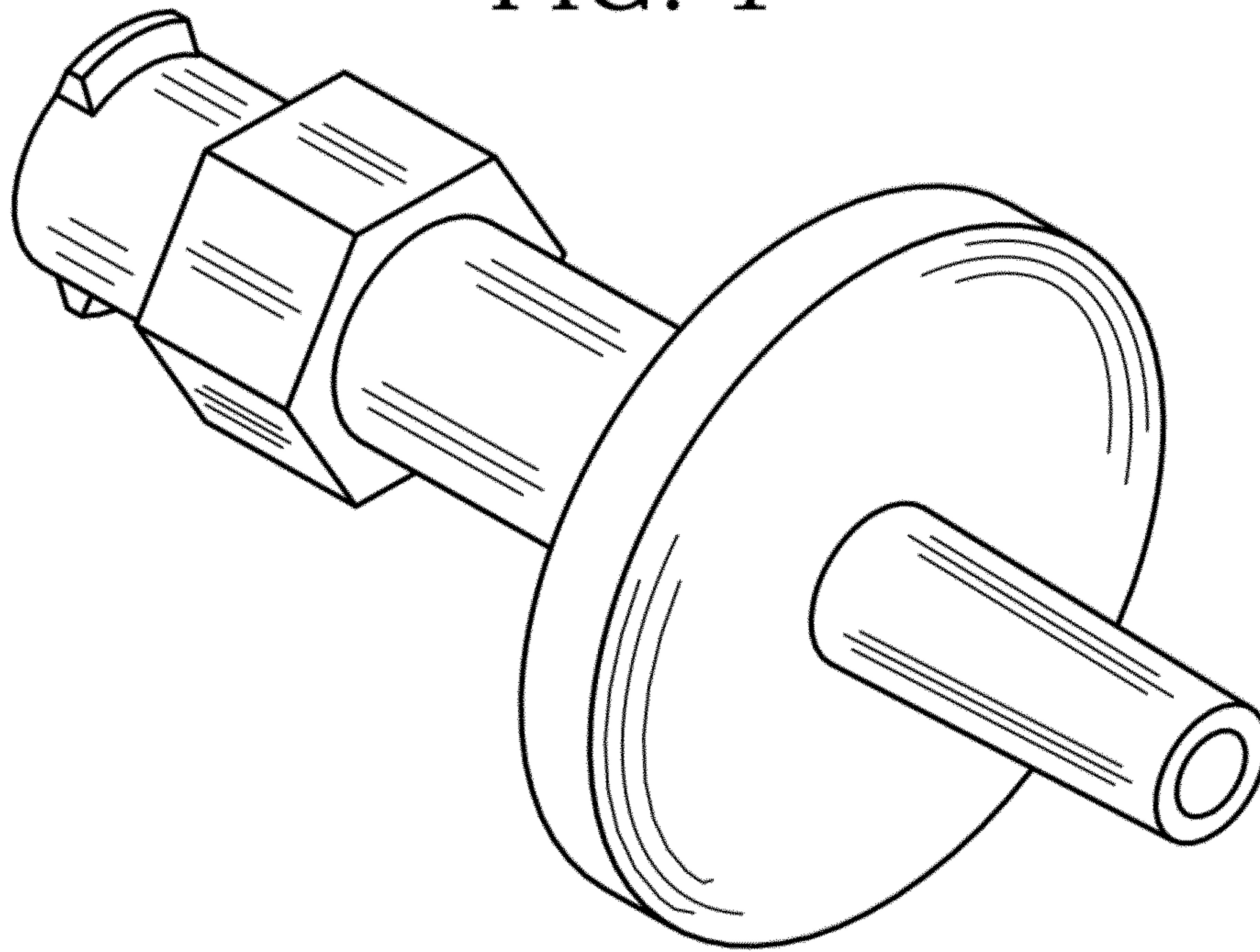


FIG. 2

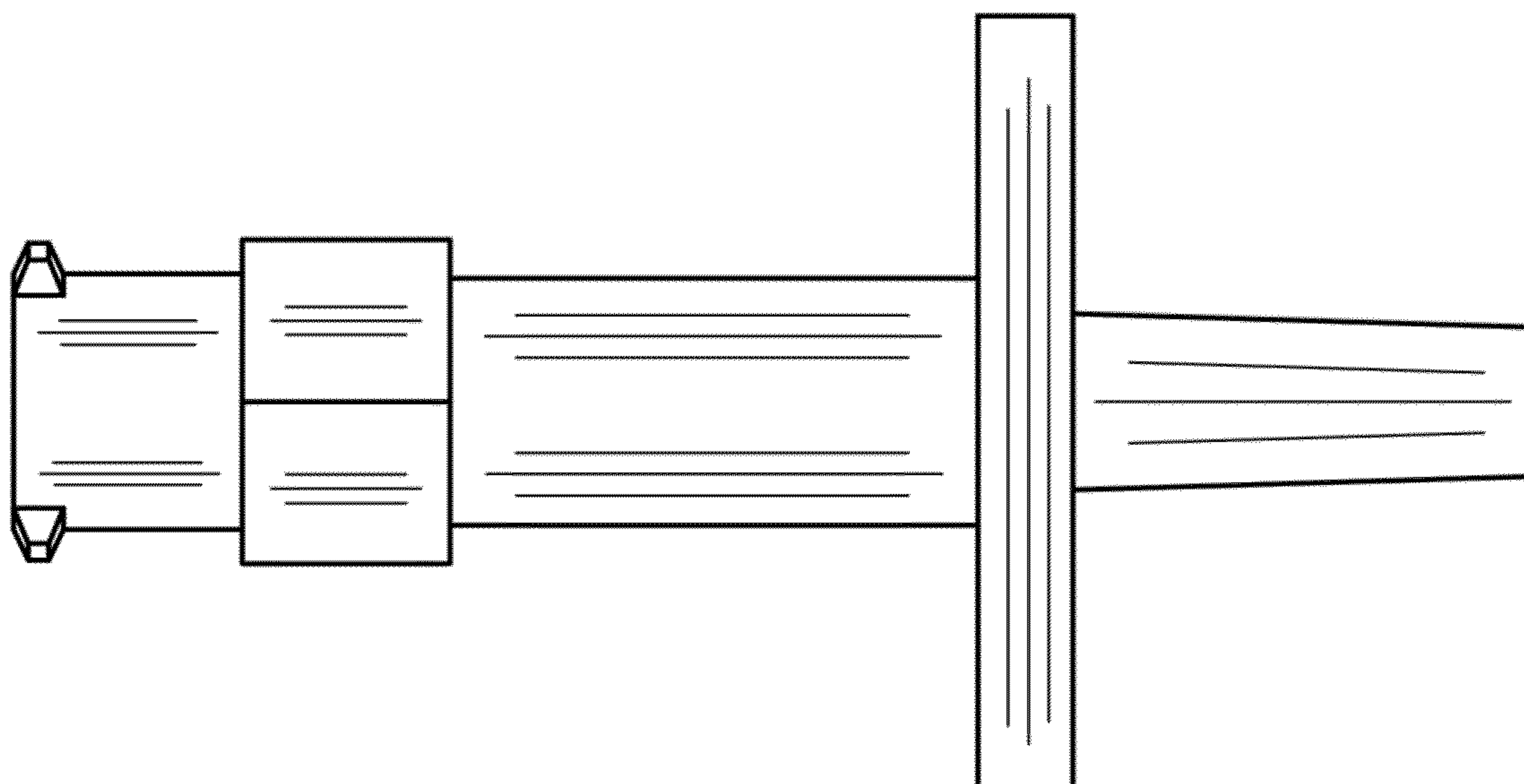


FIG. 3

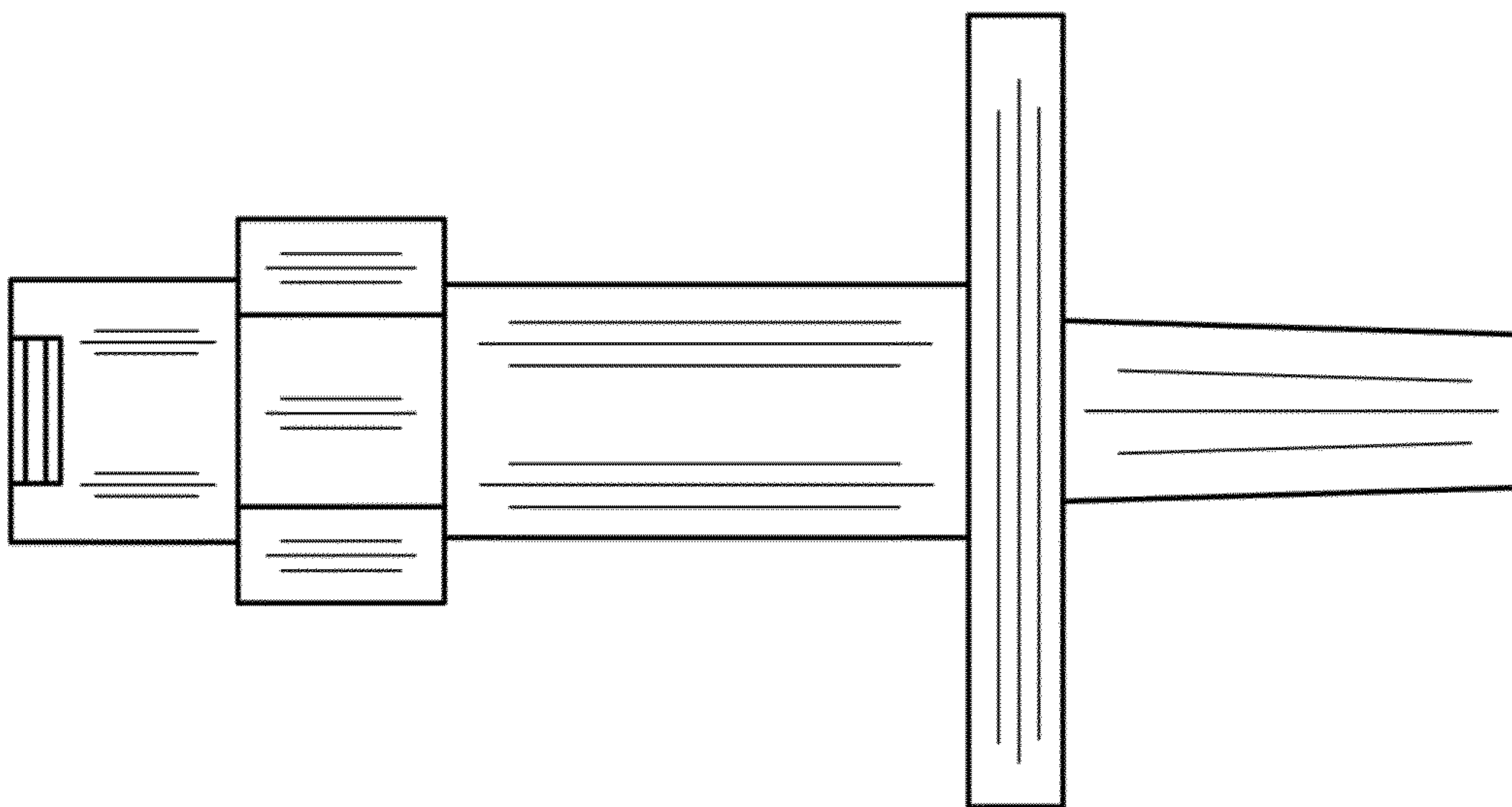


FIG. 4

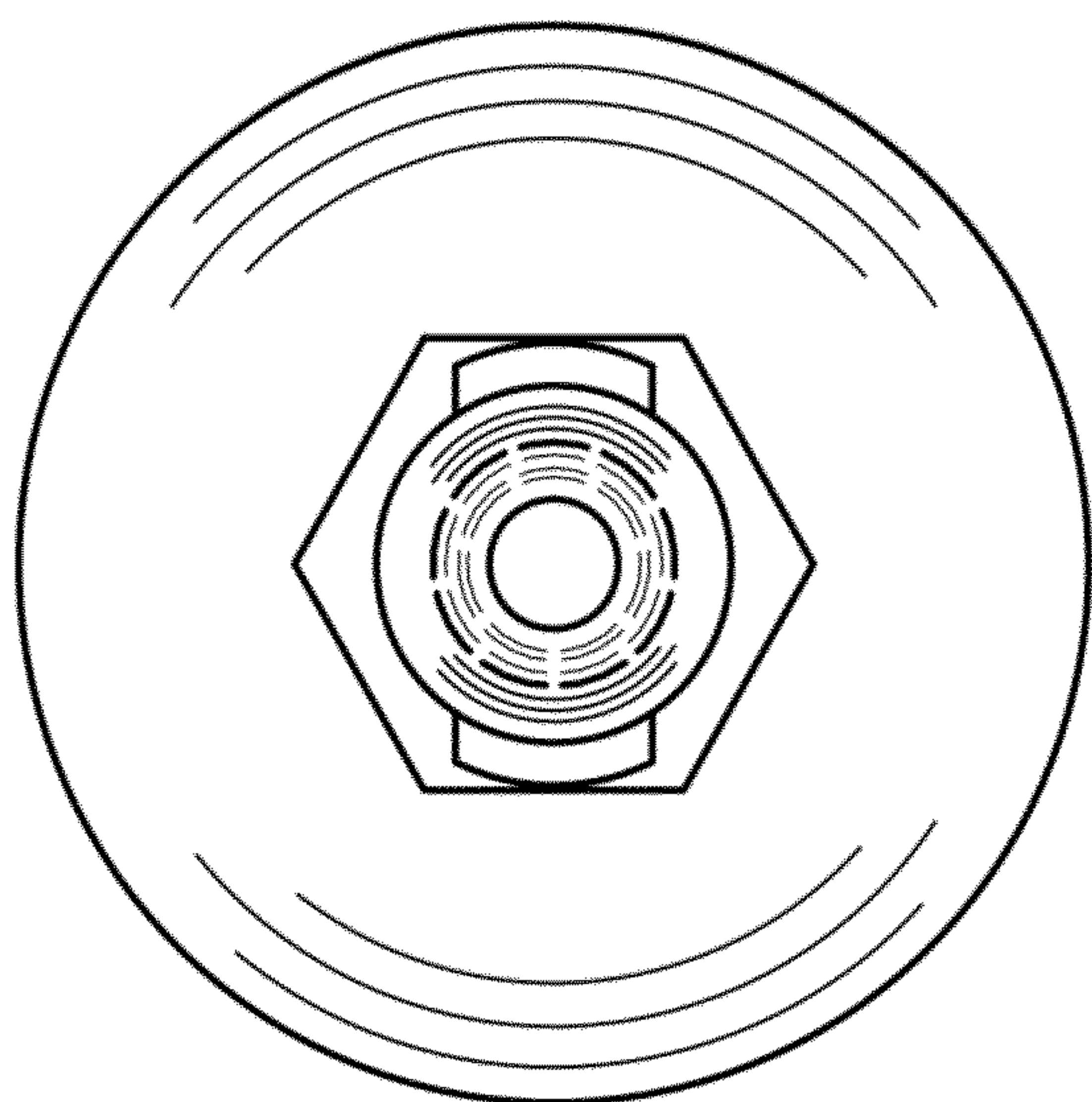


FIG. 5

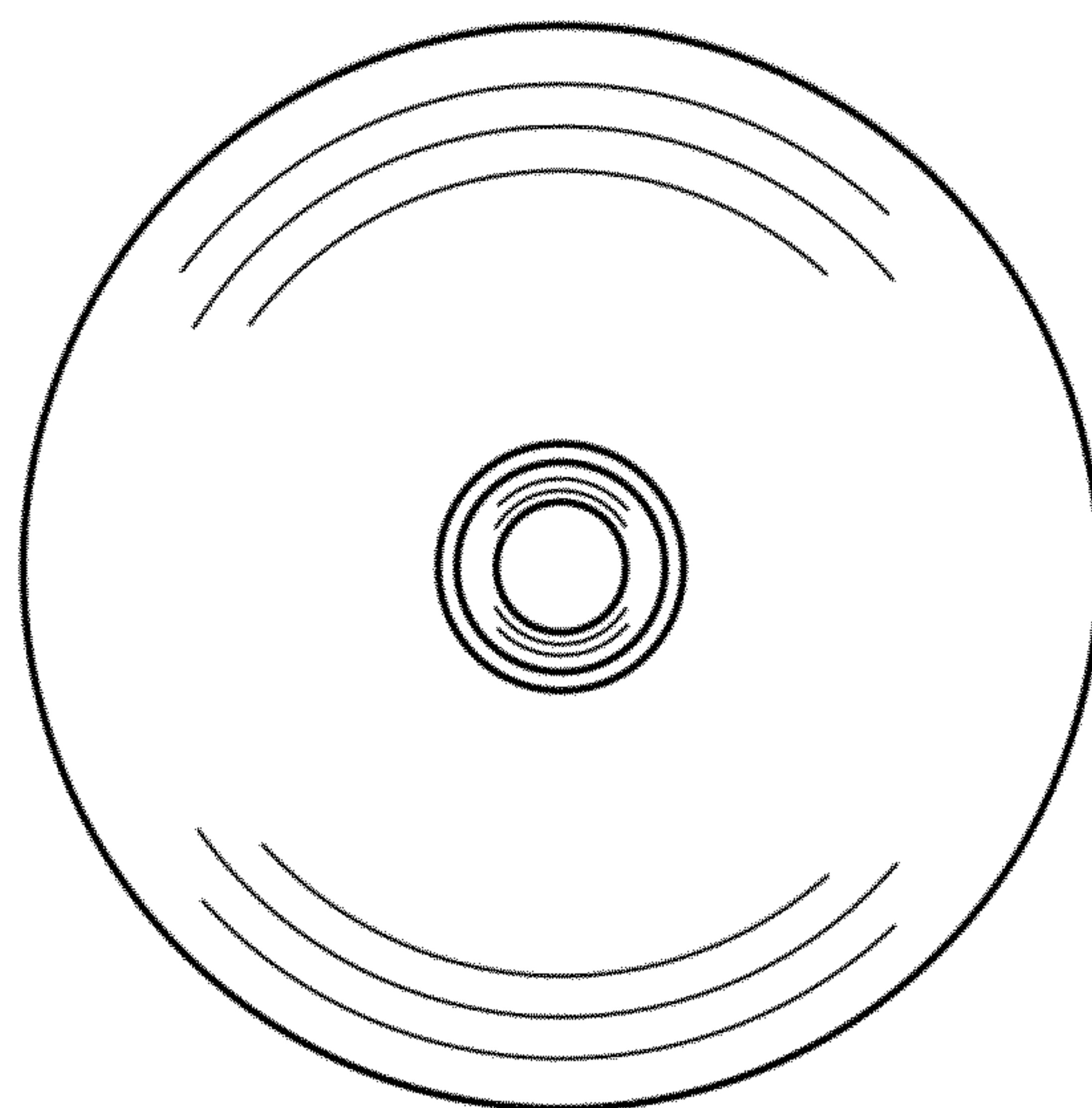


FIG. 6

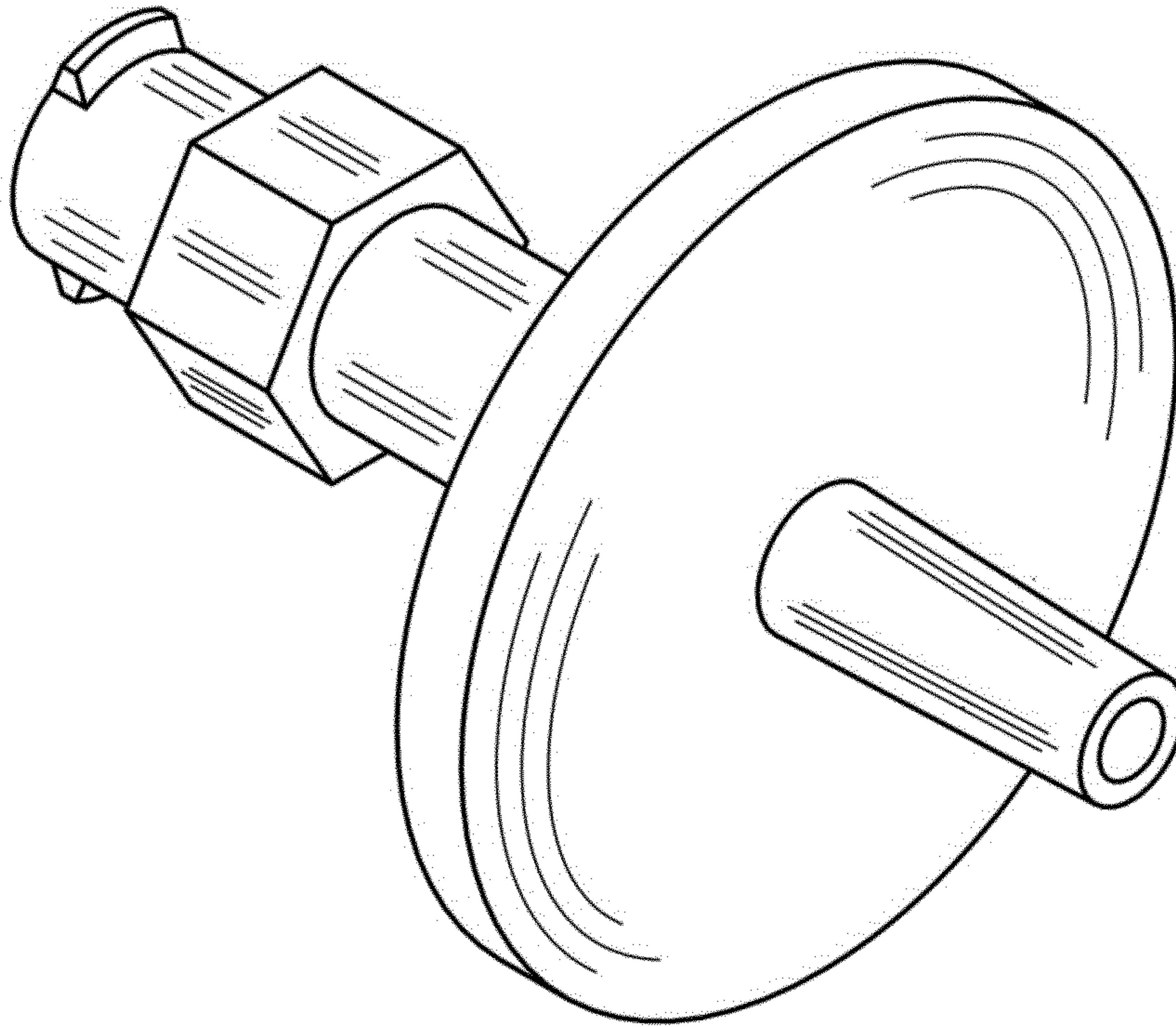


FIG. 7

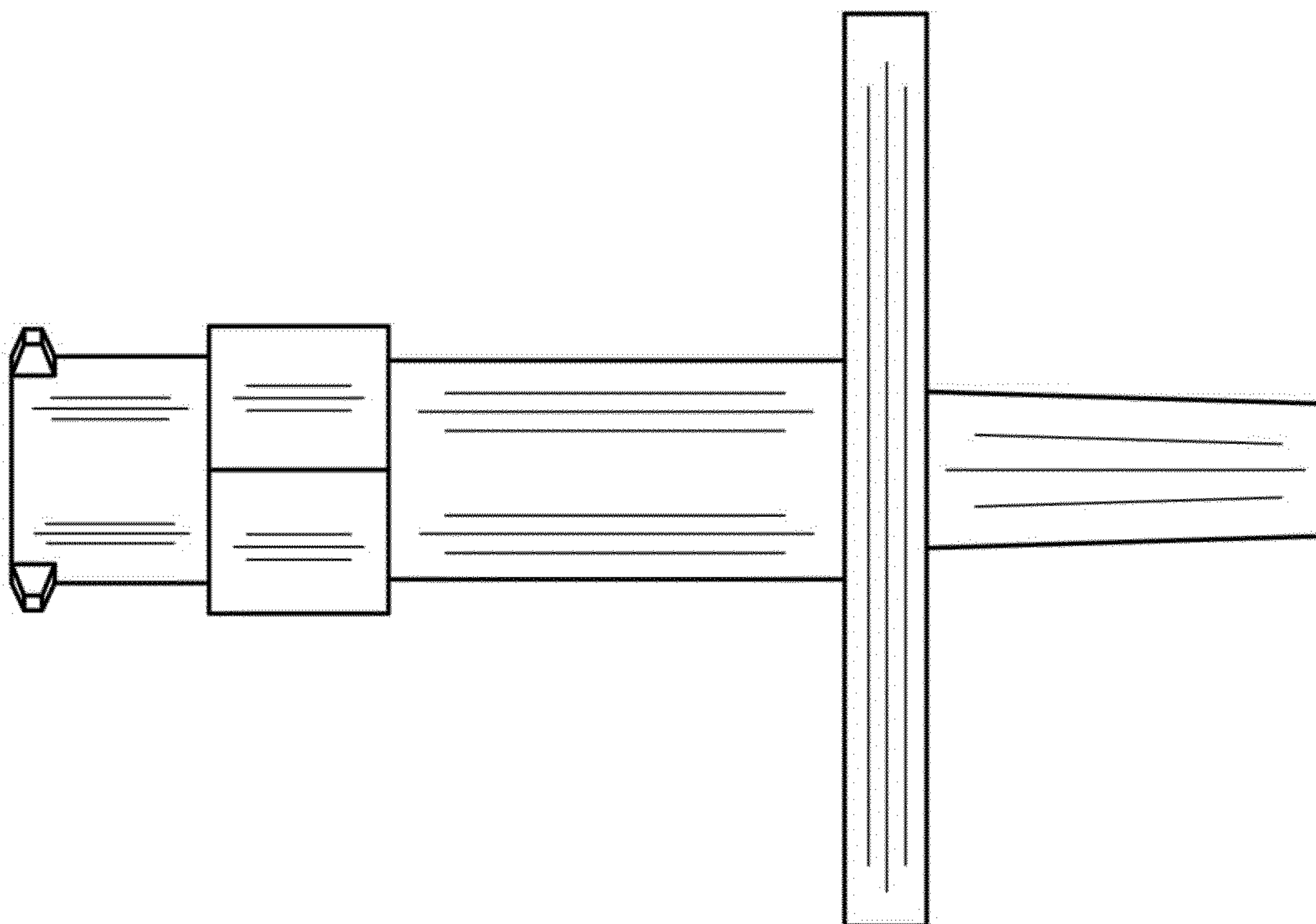




FIG. 8

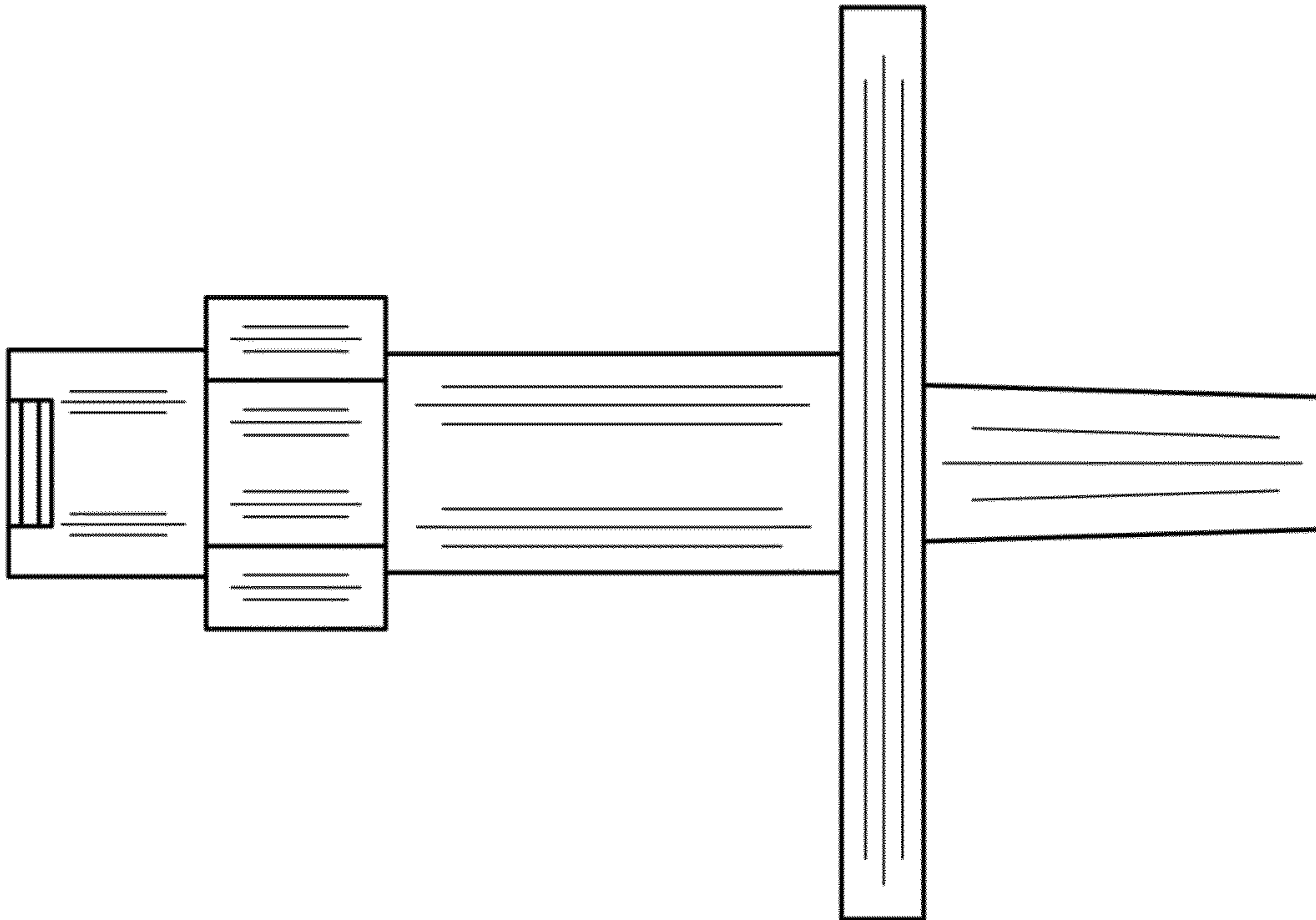


FIG. 9

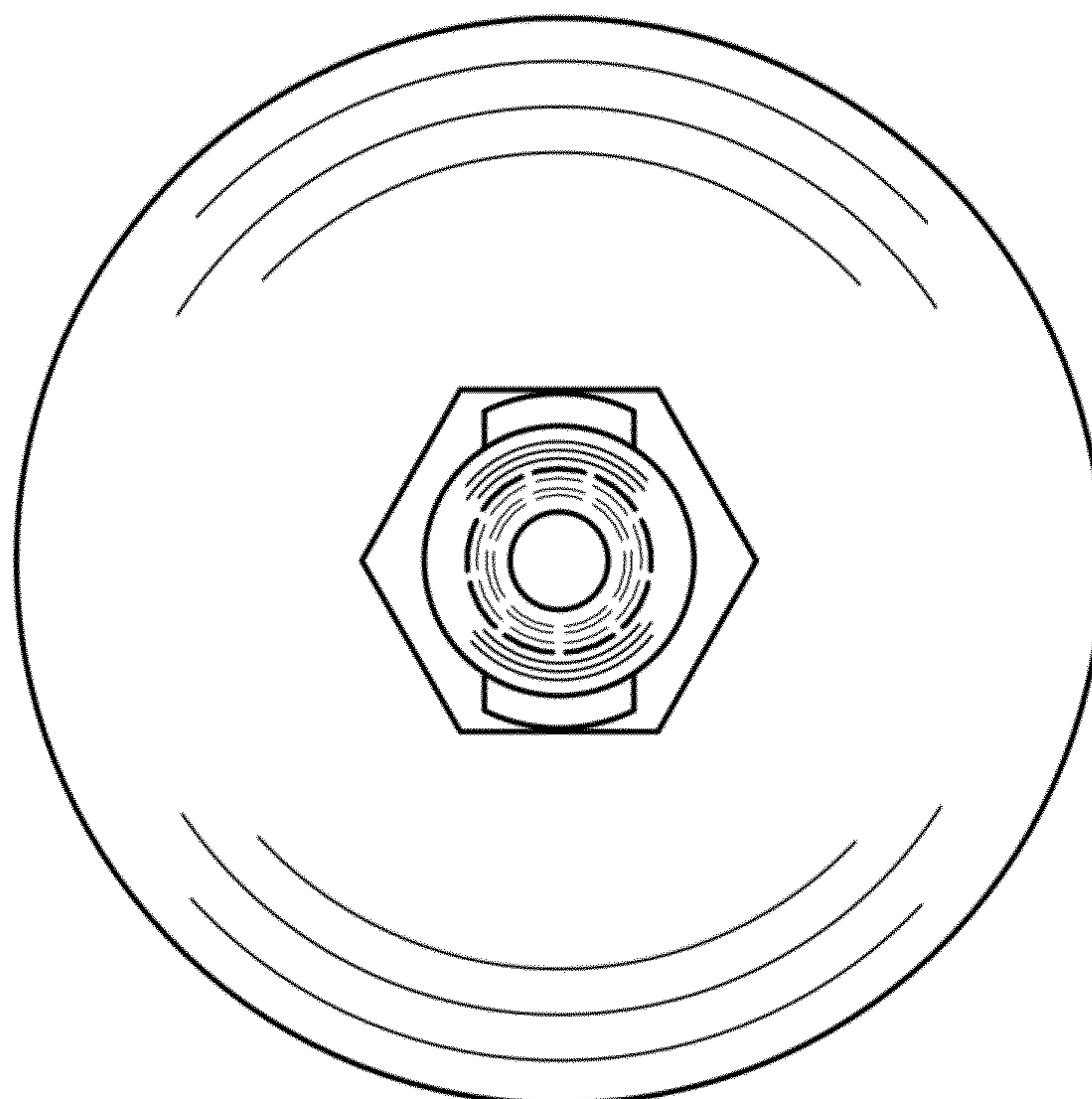


FIG. 10

