



US00D890924S

(12) **United States Design Patent** (10) **Patent No.:** **US D890,924 S**  
**Godinez et al.** (45) **Date of Patent:** **\*\* Jul. 21, 2020**

(54) **SECUREMENT DEVICE ASSEMBLY**

(71) Applicant: **Medline Industries, Inc.**, Northfield, IL (US)

(72) Inventors: **Saul Godinez**, Chicago, IL (US); **Michael Turturro**, Arlington Heights, IL (US); **Darin Decker**, Chicago, IL (US); **Karen Daunov**, Chicago, IL (US); **Greg Corey**, Evanston, IL (US); **Derek Roberts**, Boston, MA (US)

(73) Assignee: **Medline Industries, Inc.**, Northfield, IL (US)

(\*\*) Term: **15 Years**

(21) Appl. No.: **29/606,291**

(22) Filed: **Jun. 2, 2017**

(51) **LOC (12) Cl.** ..... **24-02**

(52) **U.S. Cl.**  
USPC ..... **D24/128**

(58) **Field of Classification Search**  
USPC ..... D24/127–131, 112–114, 133, 186; 606/181, 185; 604/264, 272, 115, 232,  
(Continued)

(56) **References Cited**

**U.S. PATENT DOCUMENTS**

D79,089 S \* 7/1929 Kostenbader ..... D19/98  
D276,272 S \* 11/1984 Weissenburger ..... D24/176  
(Continued)

**OTHER PUBLICATIONS**

C. R. Bard, Inc., Bard Medical, StatLock Foley Stabilization Device Brochure (2010); pp. 1-2.

*Primary Examiner* — Nathan M Johnston

(74) *Attorney, Agent, or Firm* — Fitch, Even, Tabin & Flannery LLP

(57) **CLAIM**

The ornamental design for a securement device assembly, as shown and described.

**DESCRIPTION**

FIG. 1 is a top perspective view of a securement device assembly showing our new design in an assembled configuration, with tubing and support material shown as unclaimed environmental subject matter;

FIG. 2 is a top perspective view of the securement device assembly of FIG. 1;

FIG. 3 is a bottom perspective view of the securement device assembly of FIG. 1;

FIG. 4 is a top plan view of the securement device assembly of FIG. 1;

FIG. 5 is a right side elevation view of the securement device assembly of FIG. 1, the left side elevation view being a mirror image thereof;

FIG. 6 is a front elevation view of the securement device assembly of FIG. 1;

FIG. 7 is a rear elevation view of the securement device assembly of FIG. 1;

FIG. 8 is a bottom plan view of the securement device assembly of FIG. 1;

FIG. 9 is a perspective view of the securement device assembly of FIG. 1 in a disassembled configuration;

FIG. 10 is a top perspective view of a first component of the securement device assembly of FIG. 1;

FIG. 11 is a bottom perspective view of the first component shown separately for ease of illustration;

FIG. 12 is a top plan view of the first component;

FIG. 13 is a right side elevation view of the first component, the left side elevation view being identical thereto;

FIG. 14 is a front elevation view of the first component, the rear elevation view being identical thereto;

FIG. 15 is a bottom plan view of the first component;

FIG. 16 is a top perspective view of a second component of the securement device assembly of FIG. 1 shown separately for ease of illustration;

FIG. 17 is a bottom perspective view of the second component;

FIG. 18 is a top plan view of the second component;

(Continued)

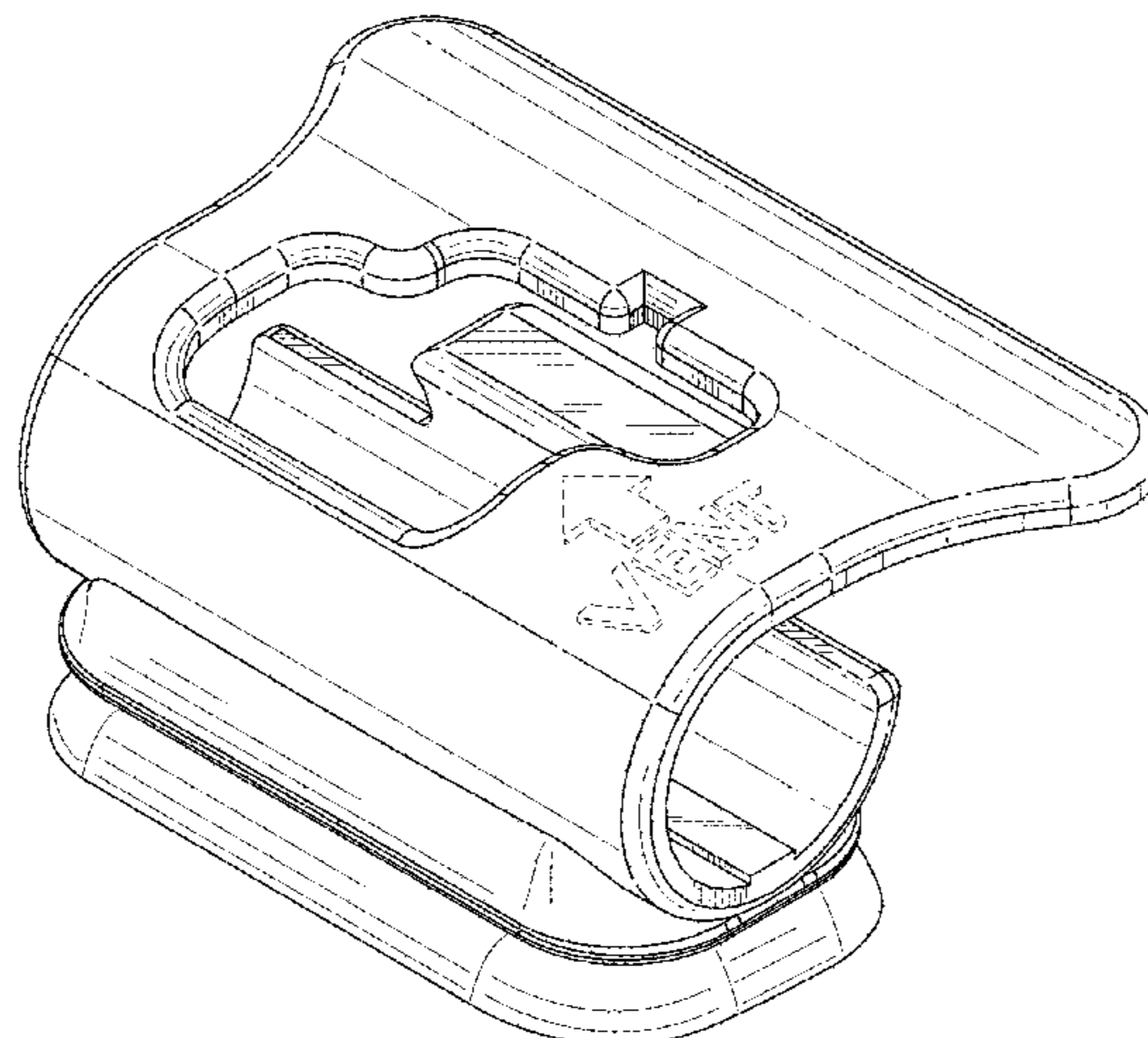


FIG. 19 is a right side elevation view of the second component, the left side elevation view being a mirror image thereof;  
 FIG. 20 is a front elevation view of the second component;  
 FIG. 21 is a rear elevation view of the second component;  
 FIG. 22 is a bottom plan view of the second component;  
 FIG. 23 is a top perspective view of a third component of the securement device assembly of FIG. 1 shown separately for ease of illustration;  
 FIG. 24 is a bottom perspective view of the third component;  
 FIG. 25 is a top plan view of the third component;  
 FIG. 26 is a right side elevation view of the third component, the left side elevation view being identical thereto;  
 FIG. 27 is a front elevation view of the third component, the rear elevation view being identical thereto;  
 FIG. 28 is a bottom plan view of the third component;  
 FIG. 29 is a top perspective view of a fourth component of the securement device assembly of FIG. 1 shown separately for ease of illustration;  
 FIG. 30 is a top plan view of the fourth component;  
 FIG. 31 is a right side elevation view of the fourth component, the left side elevation view being identical thereto;  
 FIG. 32 is a front elevation view of the fourth component, the rear elevation view being identical thereto; and,  
 FIG. 33 is a bottom plan view of the fourth component.  
 The broken lines depict unclaimed environmental subject matter and form no part of the claimed design.

**1 Claim, 29 Drawing Sheets**

(58) **Field of Classification Search**

USPC ... 604/187, 158, 164.08, 198, 227; 600/101, 600/139, 143; 128/200.24, 207.15  
 CPC ..... A61M 5/1418; A61M 16/0875; A61M 2209/082; A61M 25/02; A61M 2025/026; F16L 3/12; Y10T 403/598

See application file for complete search history.

(56) **References Cited**

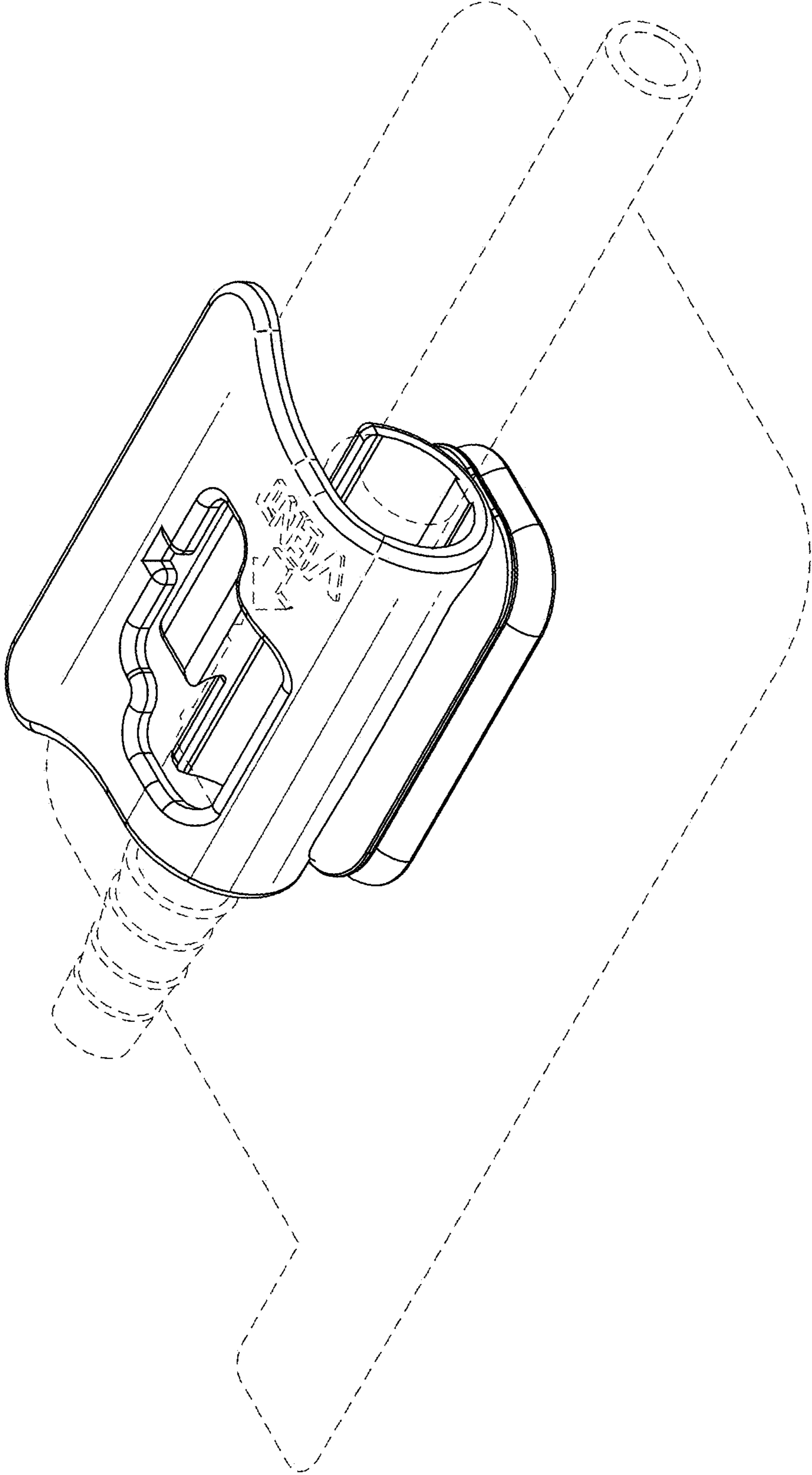
U.S. PATENT DOCUMENTS

D331,462 S \* 12/1992 Kraus ..... D24/143  
 D356,161 S \* 3/1995 Peterson ..... D24/199  
 5,693,032 A 12/1997 Bierman  
 5,702,371 A 12/1997 Bierman  
 D427,307 S \* 6/2000 Guala ..... D24/129  
 D431,650 S \* 10/2000 Guala ..... D24/129

6,413,240 B1 7/2002 Bierman  
 6,428,515 B1 8/2002 Bierman  
 6,572,588 B1 6/2003 Bierman  
 6,582,403 B1 6/2003 Bierman  
 6,663,600 B2 12/2003 Bierman  
 6,673,046 B2 1/2004 Bierman  
 6,770,055 B2 8/2004 Bierman  
 6,972,003 B2 12/2005 Bierman  
 7,014,627 B2 3/2006 Bierman  
 7,018,362 B2 3/2006 Bierman  
 7,223,256 B2 5/2007 Bierman  
 D557,410 S \* 12/2007 Guney ..... D24/110.1  
 7,491,190 B2 2/2009 Bierman  
 7,520,870 B2 4/2009 Bierman  
 7,563,251 B2 7/2009 Bierman  
 D597,666 S \* 8/2009 George ..... D24/128  
 7,635,355 B2 12/2009 Bierman  
 D618,792 S \* 6/2010 Bierman ..... A61M 25/02  
 D24/128  
 D619,711 S \* 7/2010 Lombardo ..... D24/128  
 7,762,991 B2 7/2010 Bierman  
 7,785,295 B2 8/2010 Bierman  
 7,799,001 B2 9/2010 Bierman  
 7,837,655 B2 11/2010 Bierman  
 7,863,610 B2 1/2011 Rajendran  
 D637,712 S \* 5/2011 Chau ..... D24/129  
 7,935,083 B2 5/2011 Bierman  
 7,955,307 B2 6/2011 Bierman  
 8,105,289 B2 1/2012 Bierman  
 D655,407 S \* 3/2012 Adams ..... D24/128  
 D672,004 S \* 12/2012 Stracener ..... D22/108  
 D680,857 S \* 4/2013 Rumpel ..... D8/395  
 D687,537 S \* 8/2013 Au ..... D24/108  
 8,585,655 B2 11/2013 Bierman  
 8,636,699 B2 1/2014 Russo  
 8,689,798 B2 \* 4/2014 Sabin ..... A61B 50/20  
 128/877  
 D706,083 S \* 6/2014 Kyuba ..... D7/620  
 D712,024 S \* 8/2014 Au ..... D24/108  
 D747,636 S \* 1/2016 Maher ..... D8/72  
 D764,057 S \* 8/2016 Schaffner ..... D24/143  
 D767,761 S \* 9/2016 Babb ..... D24/143  
 D768,849 S \* 10/2016 Eisenberg ..... D24/128  
 D775,352 S \* 12/2016 Mills ..... D24/171  
 D804,659 S \* 12/2017 Hood ..... D24/128  
 2002/0165493 A1 11/2002 Bierman  
 2002/0165494 A1 11/2002 Bierman  
 2007/0038182 A1 \* 2/2007 Bialecki ..... A61M 5/3273  
 604/164.08  
 2010/0179483 A1 \* 7/2010 Wright ..... A61M 5/158  
 604/180  
 2011/0295210 A1 12/2011 Wright  
 2014/0276440 A1 9/2014 Wallace  
 2015/0038912 A1 2/2015 Karim  
 2015/0133891 A1 5/2015 Rosenhan

\* cited by examiner

FIG. 1



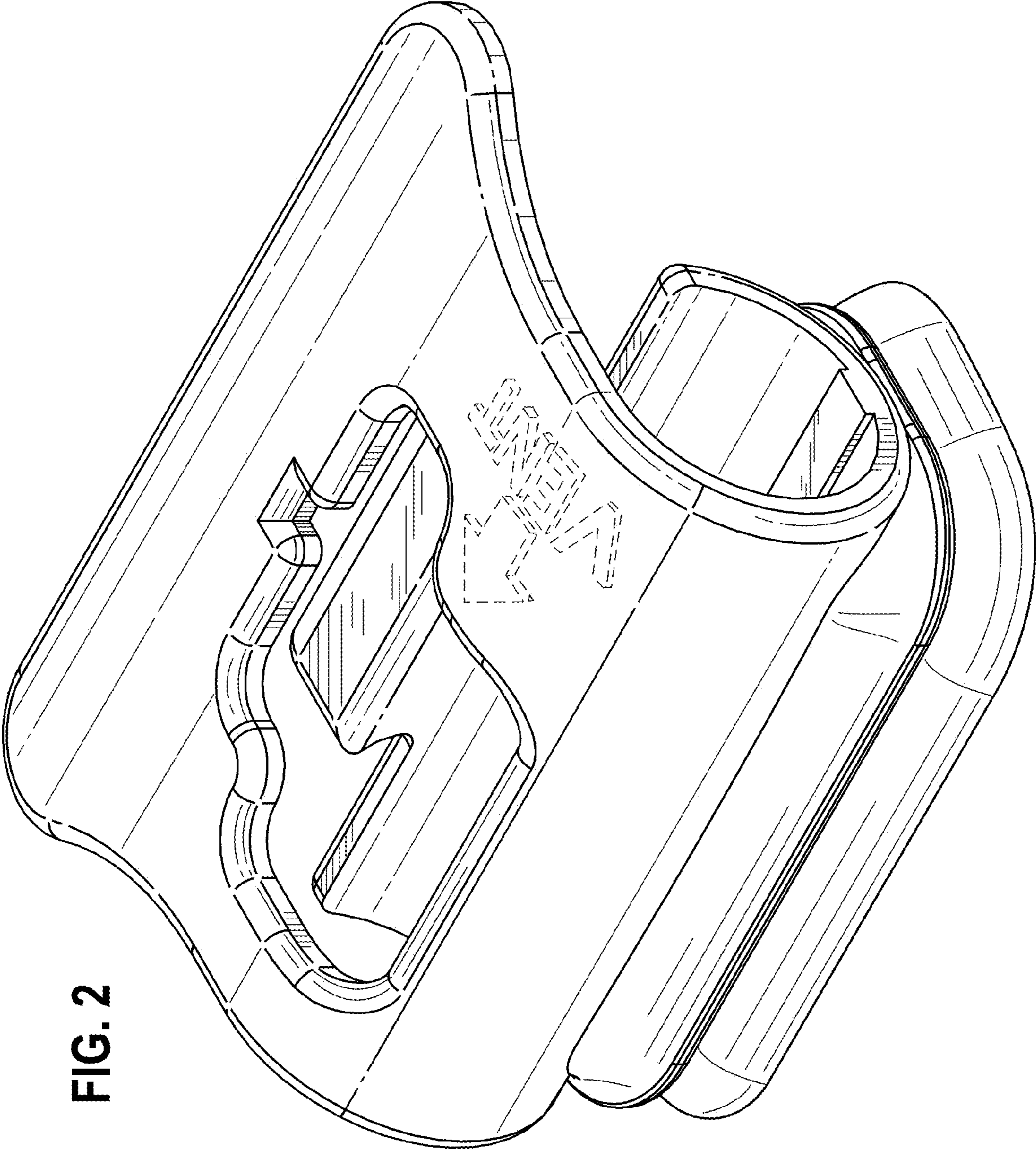


FIG. 2

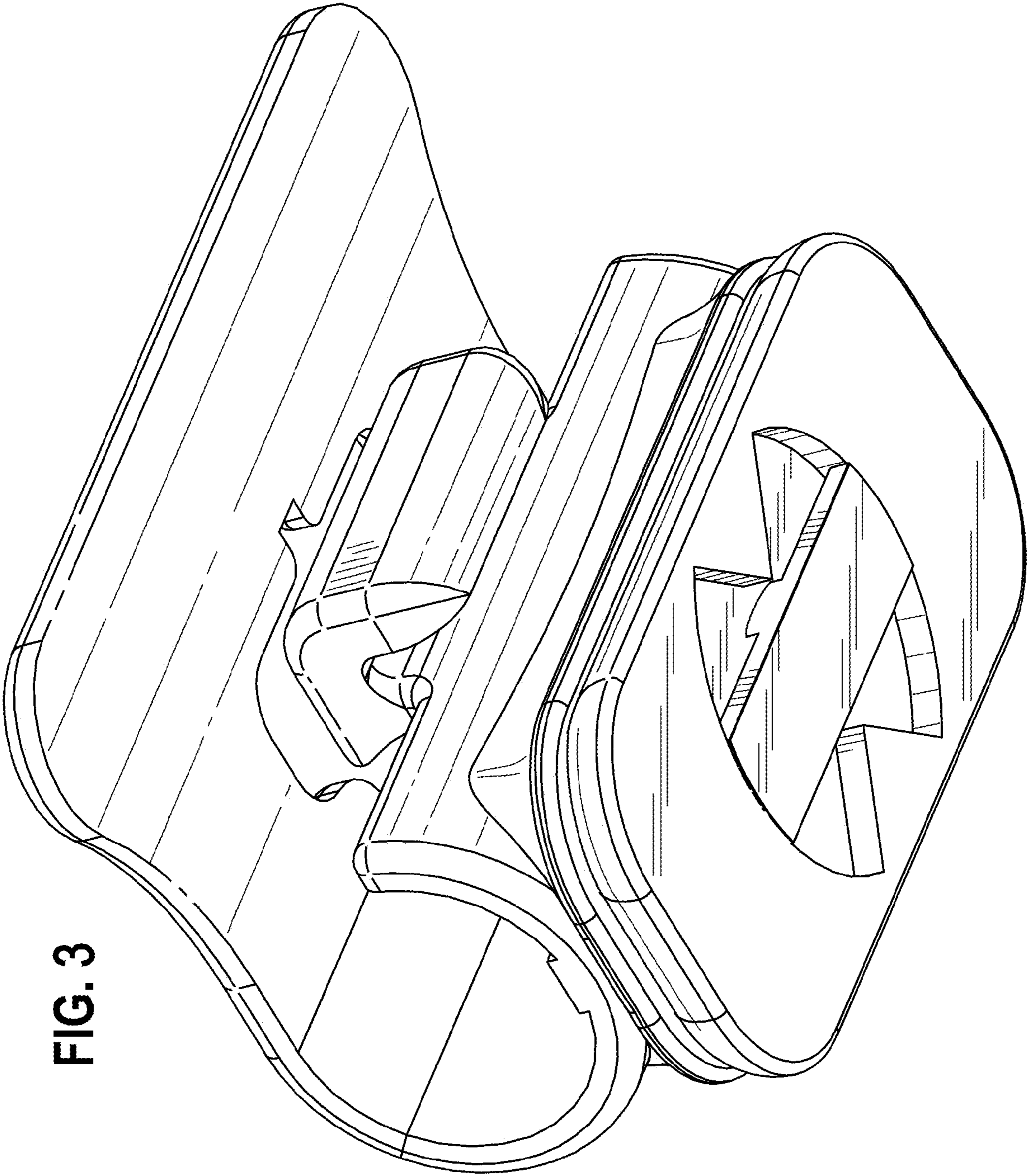


FIG. 3

FIG. 4

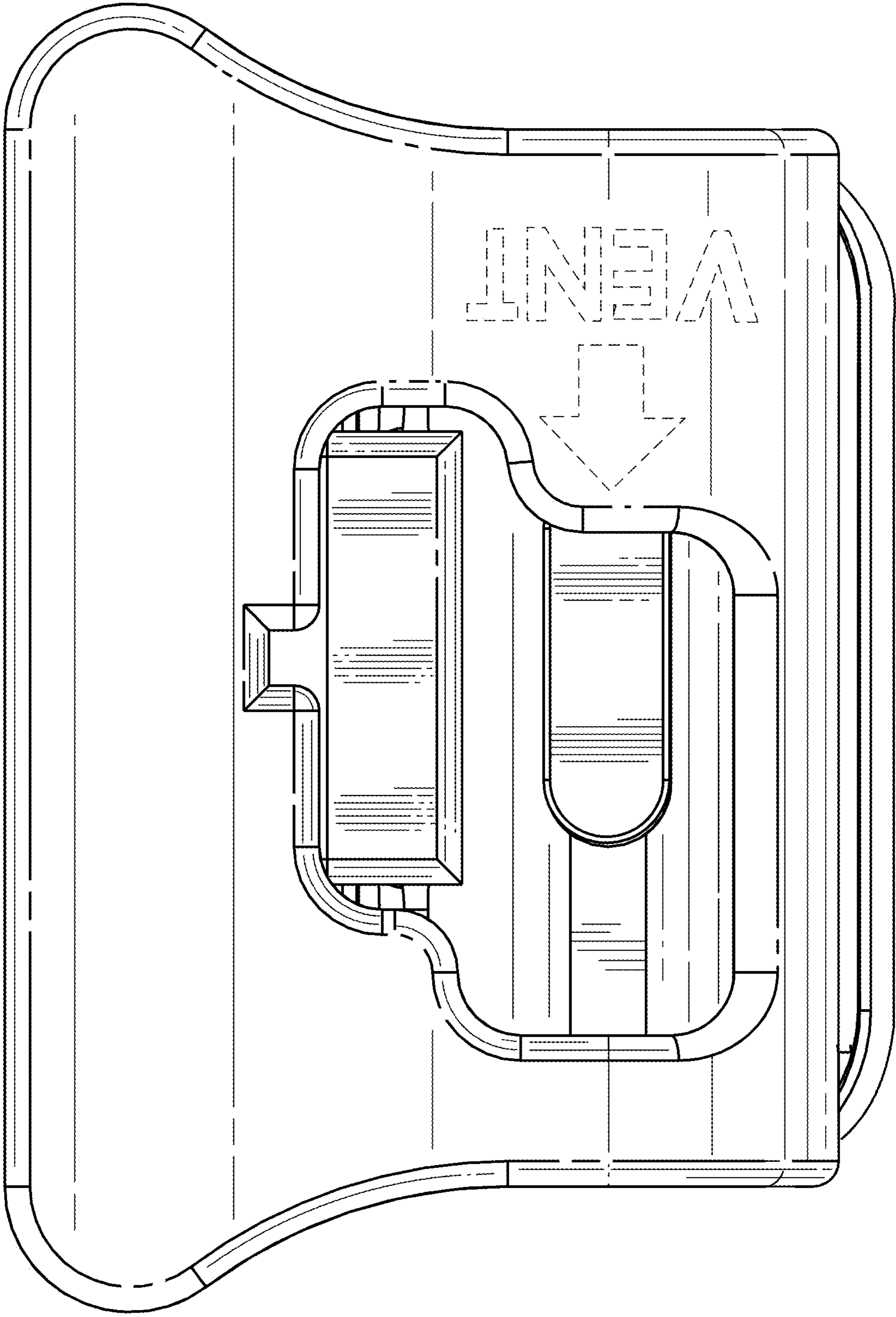


FIG. 5

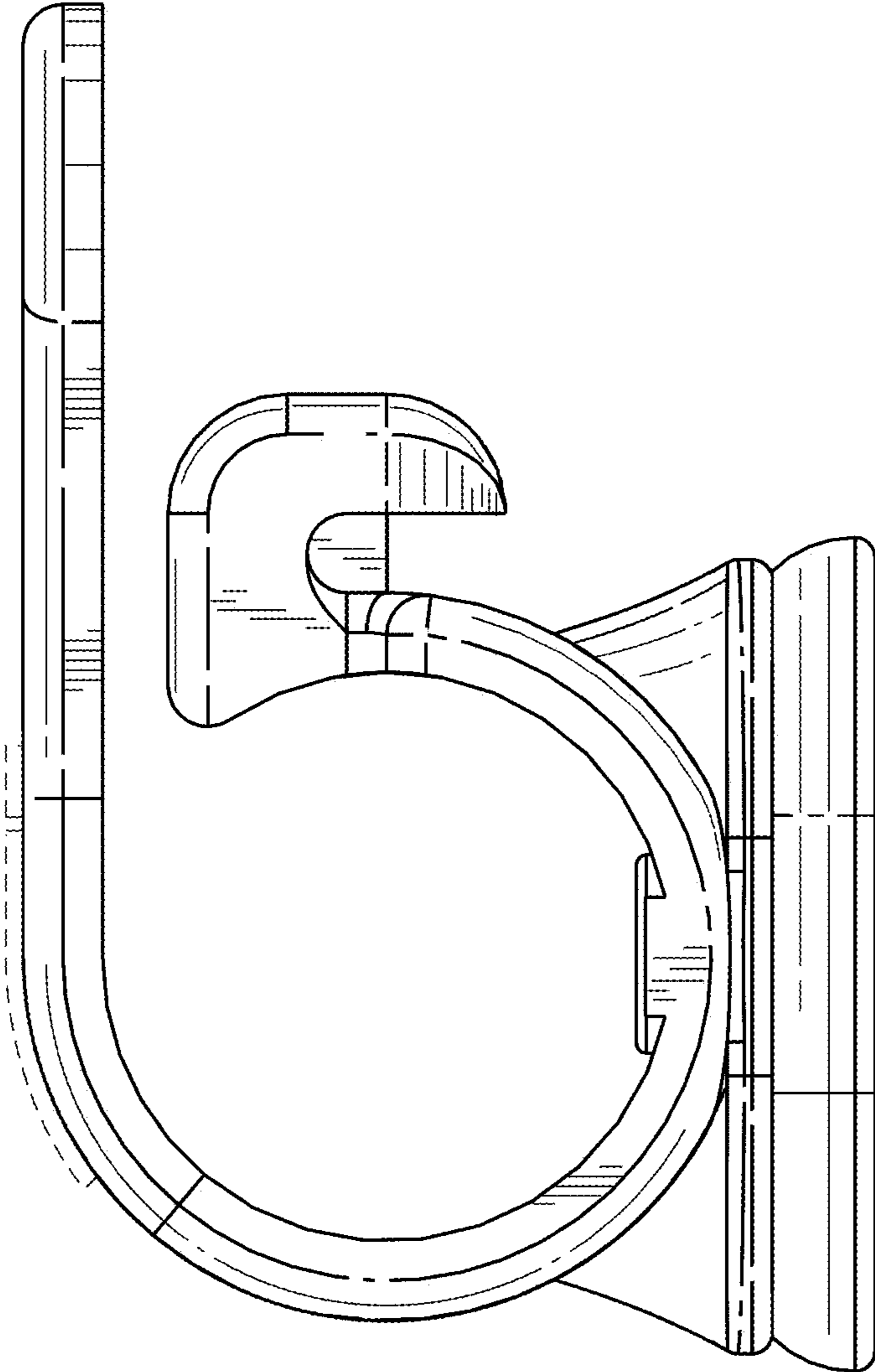


FIG. 6

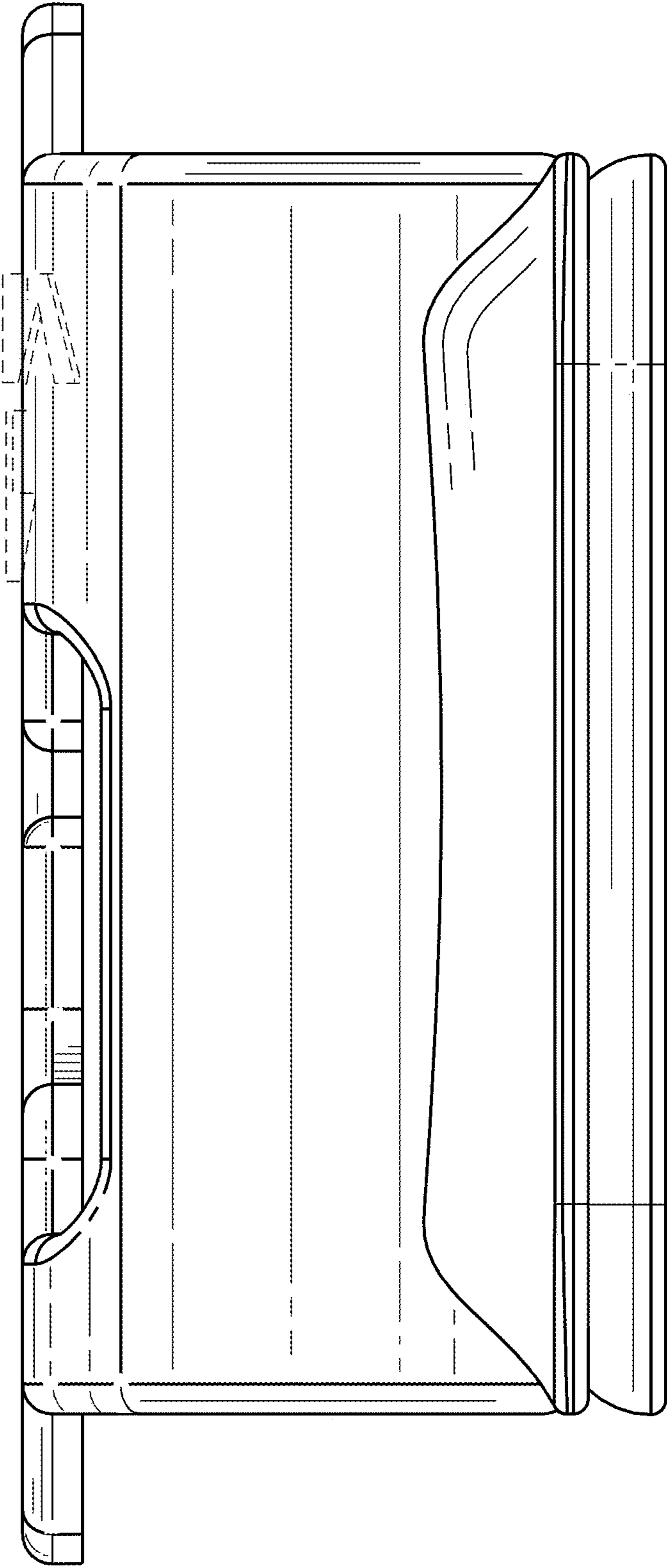




FIG. 7

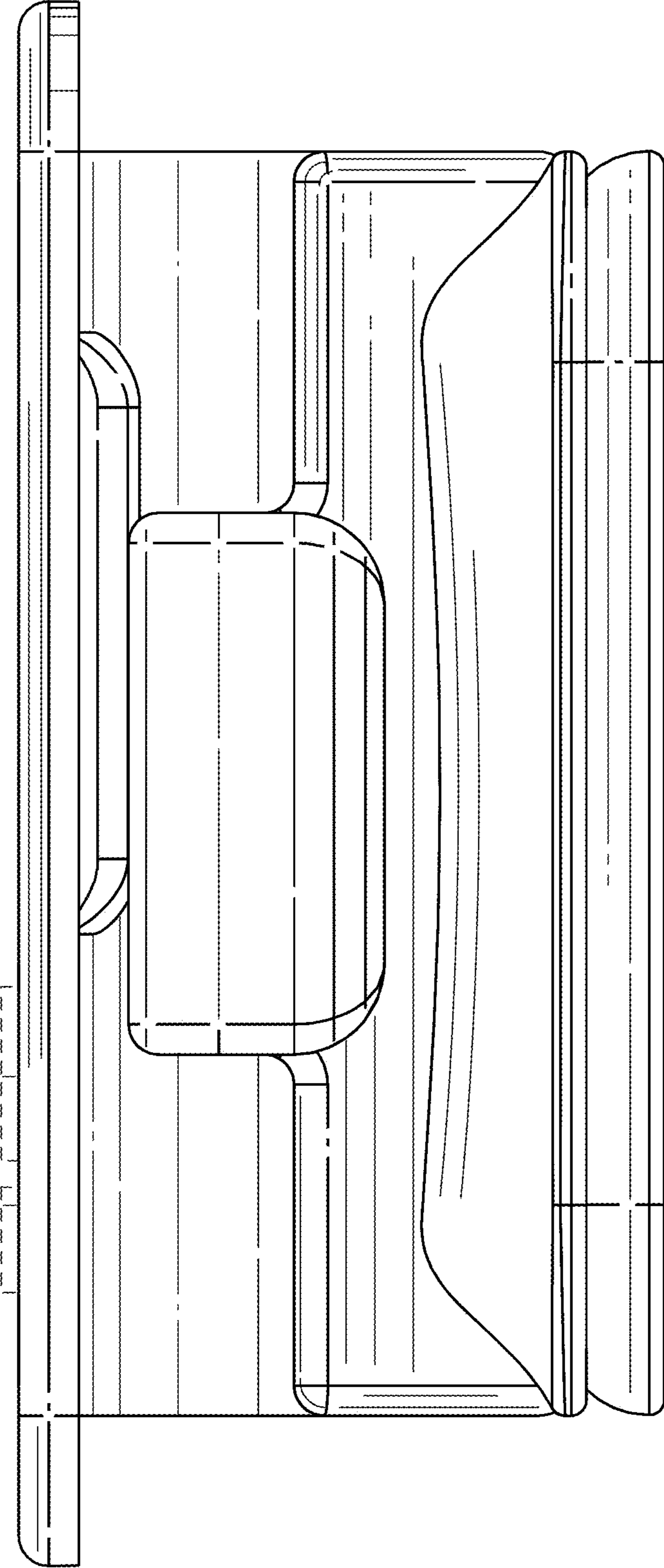


FIG. 8

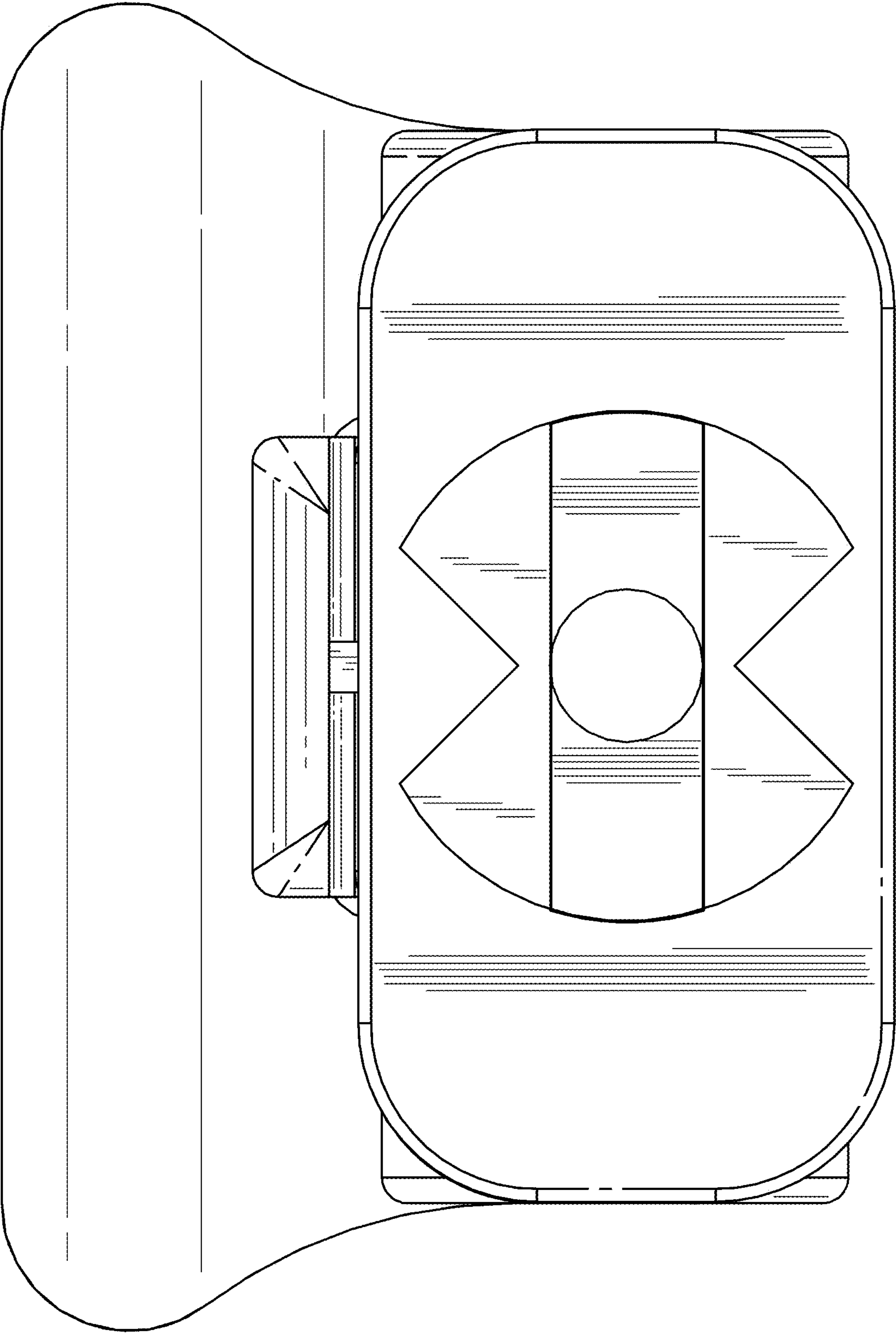


FIG. 9

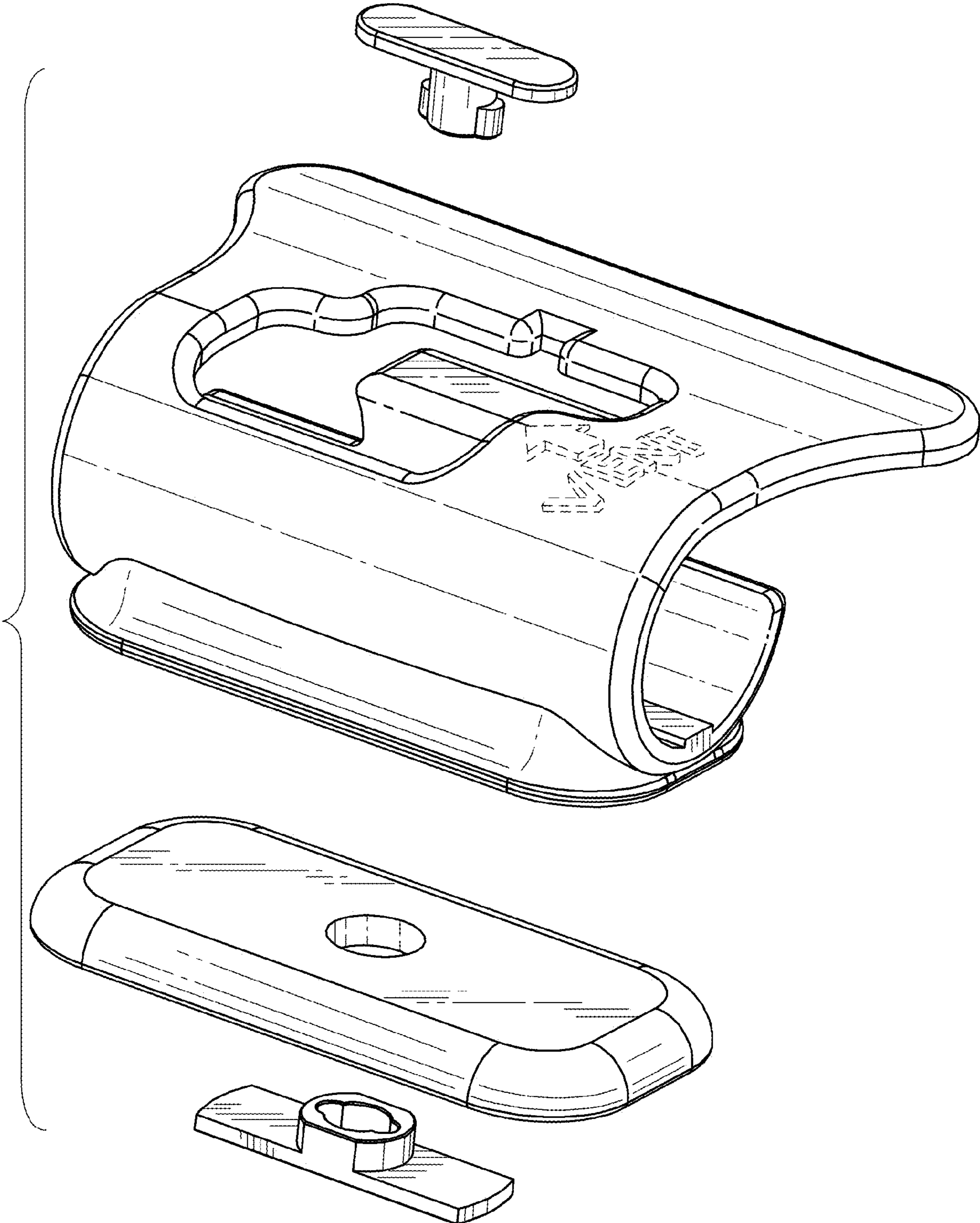
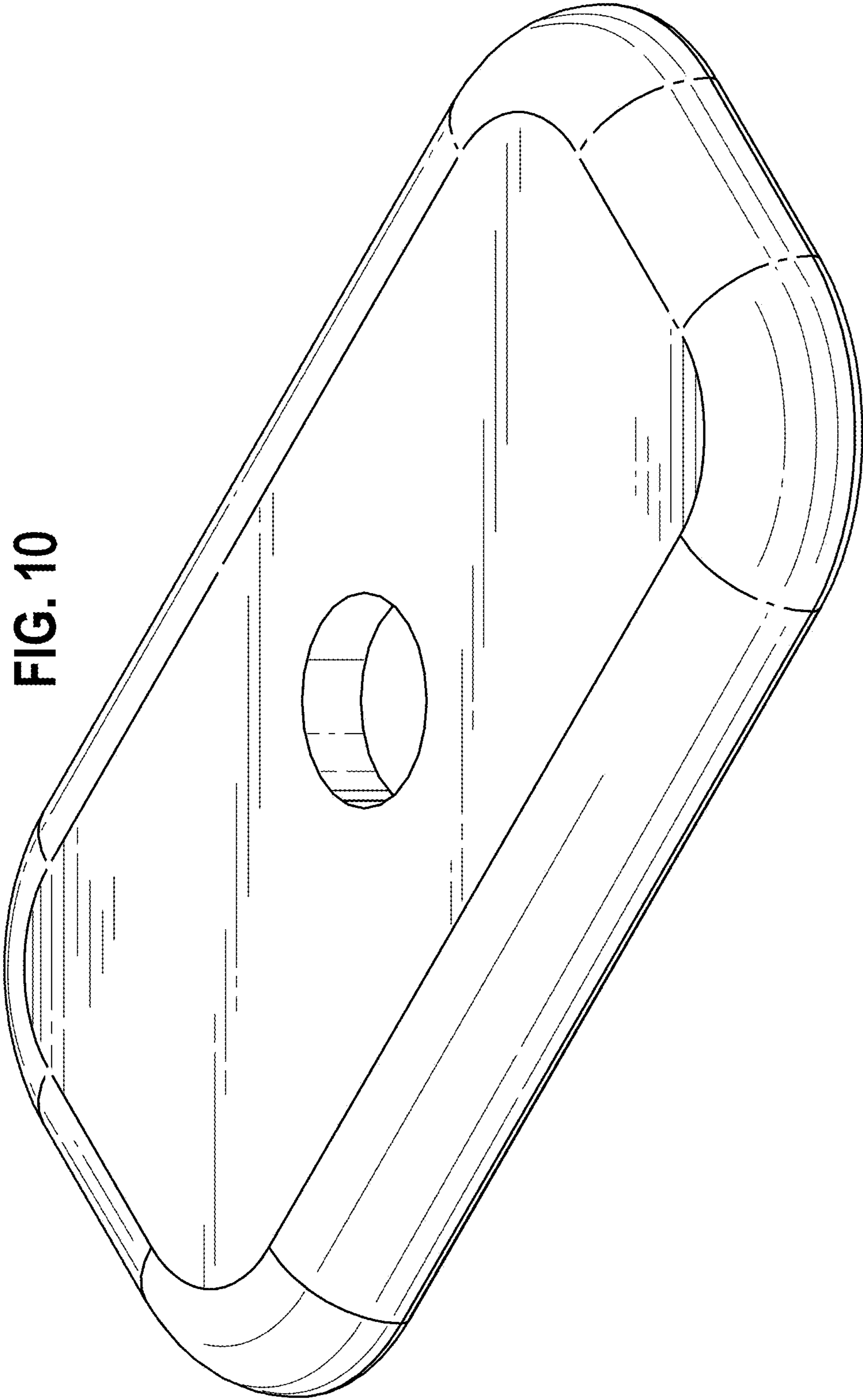


FIG. 10



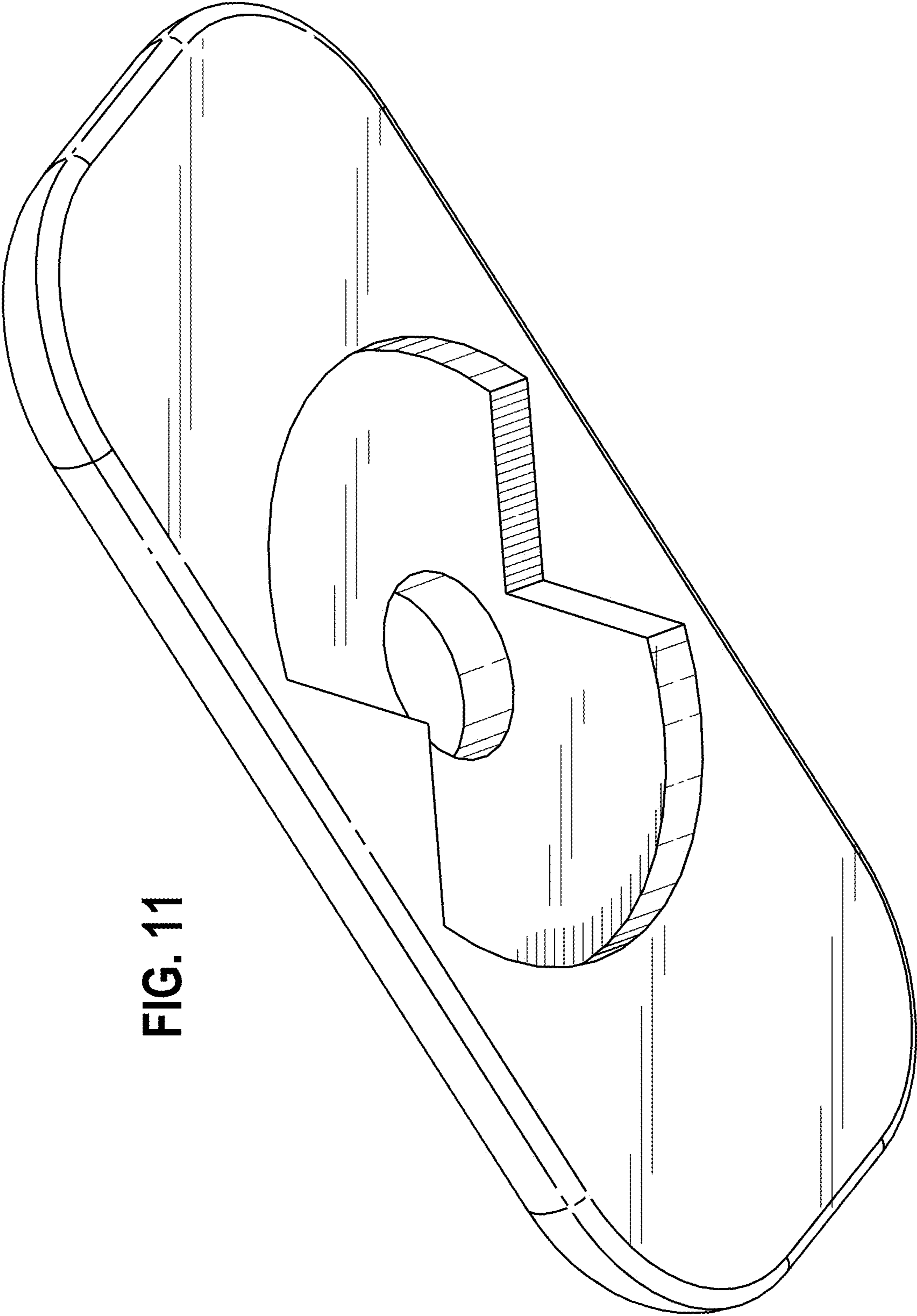


FIG. 11

FIG. 12

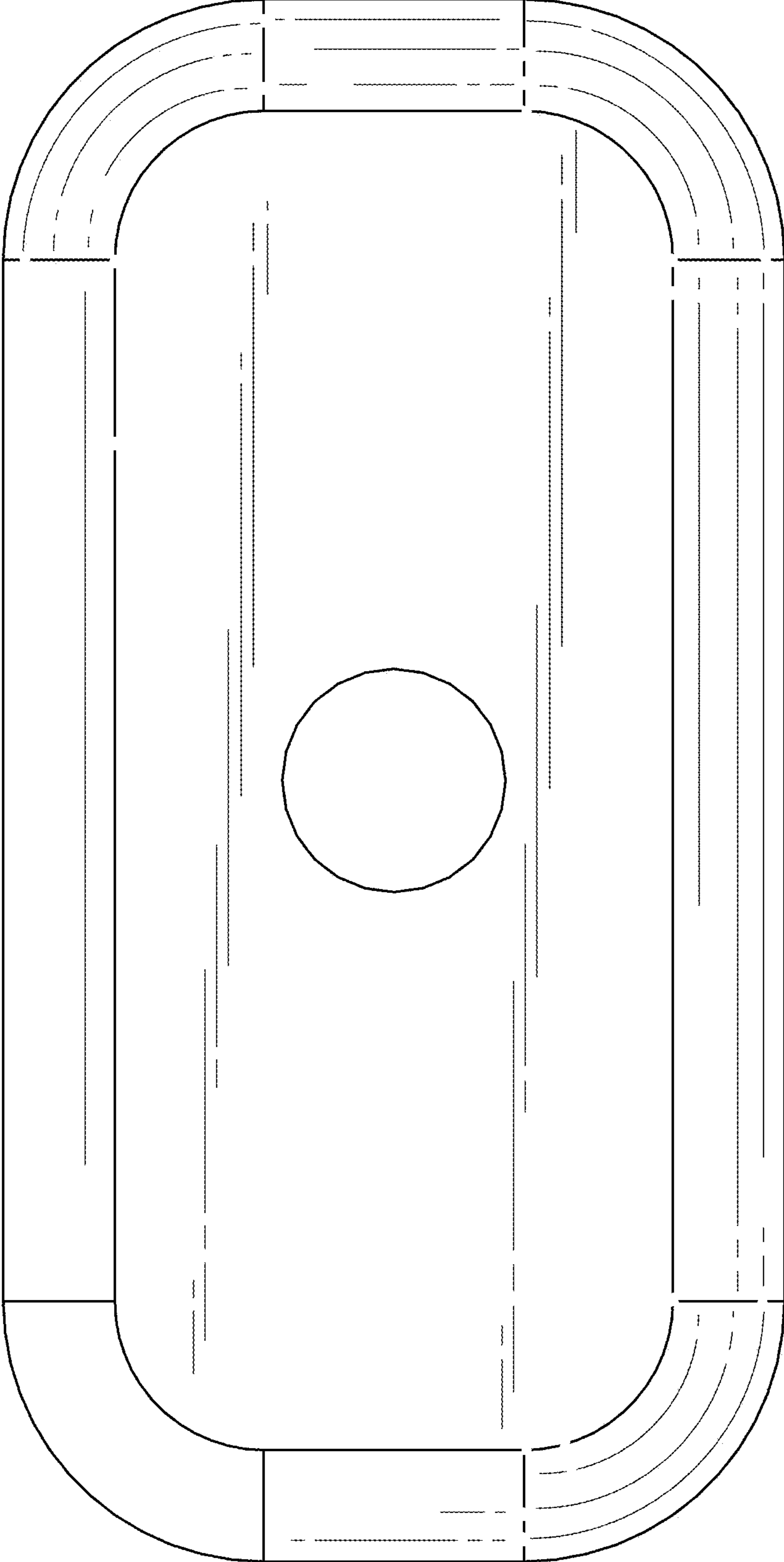


FIG. 13

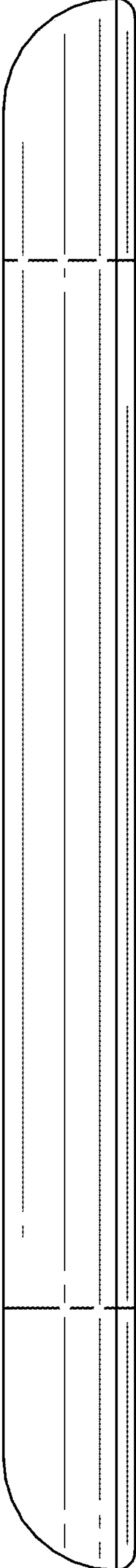


FIG. 14

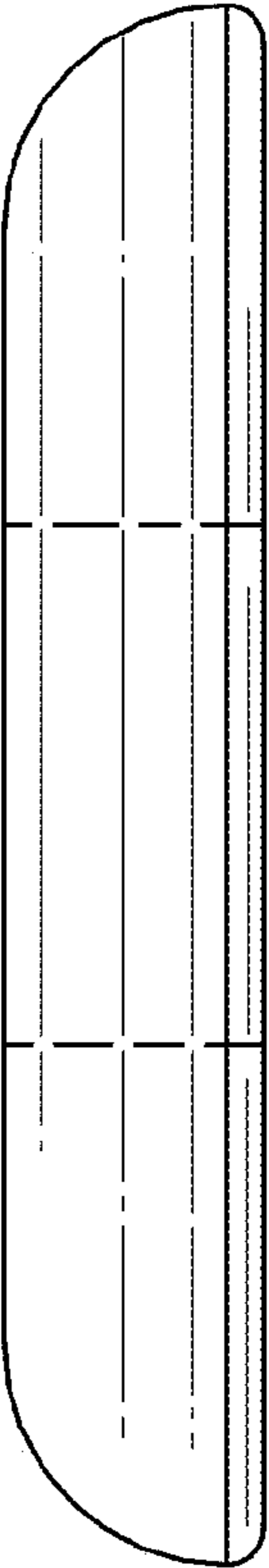


FIG. 15

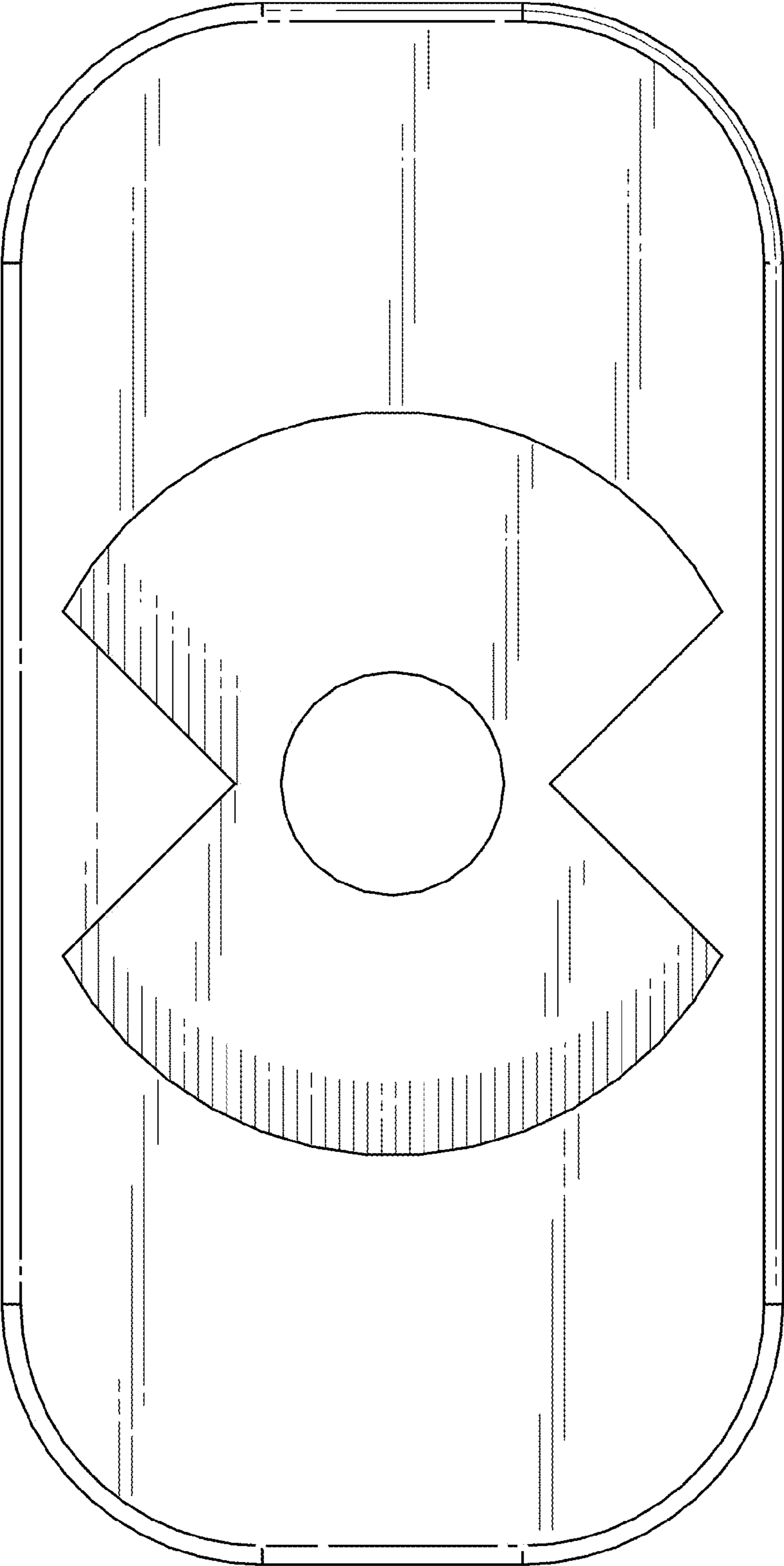


FIG. 16

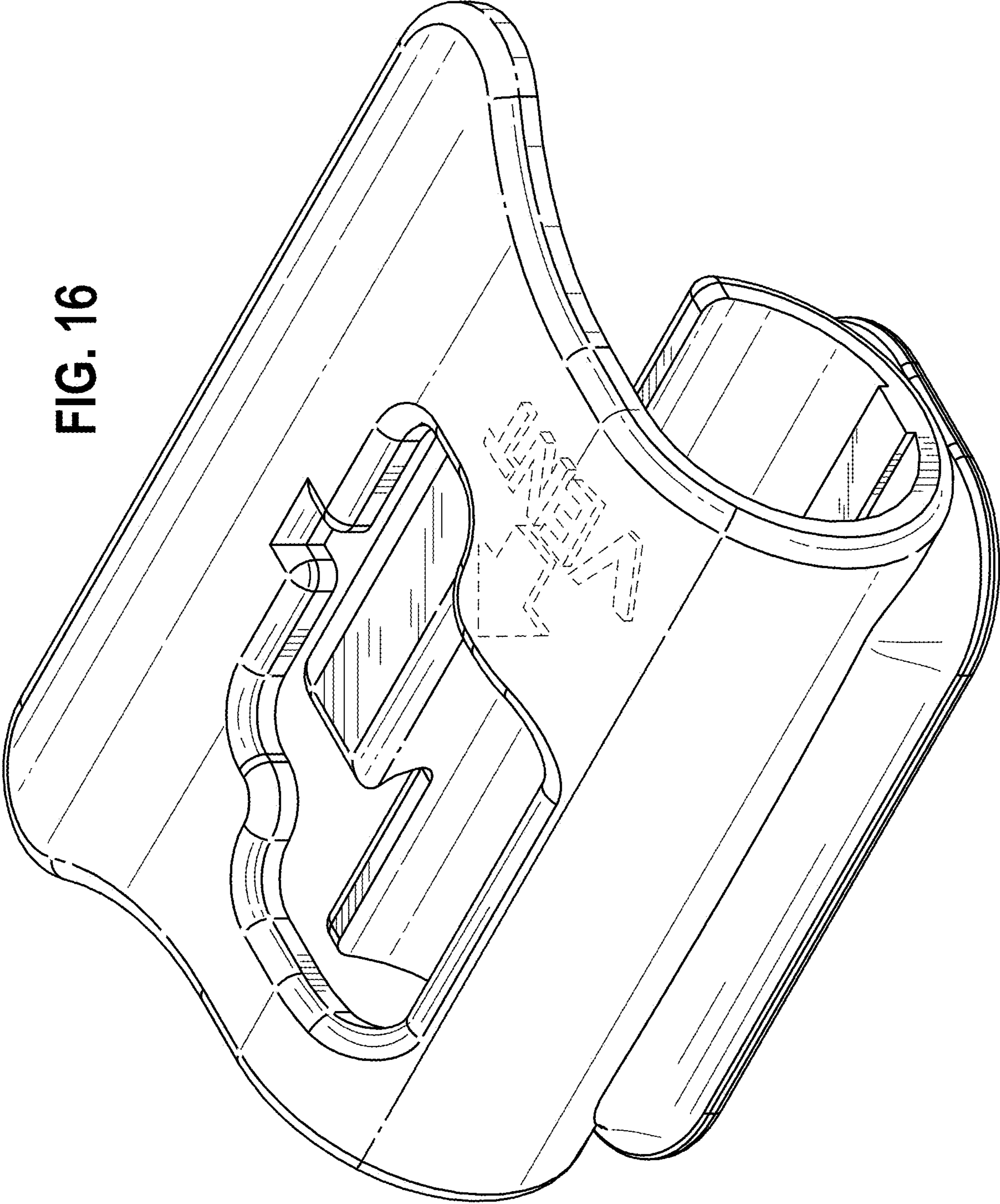




FIG. 17

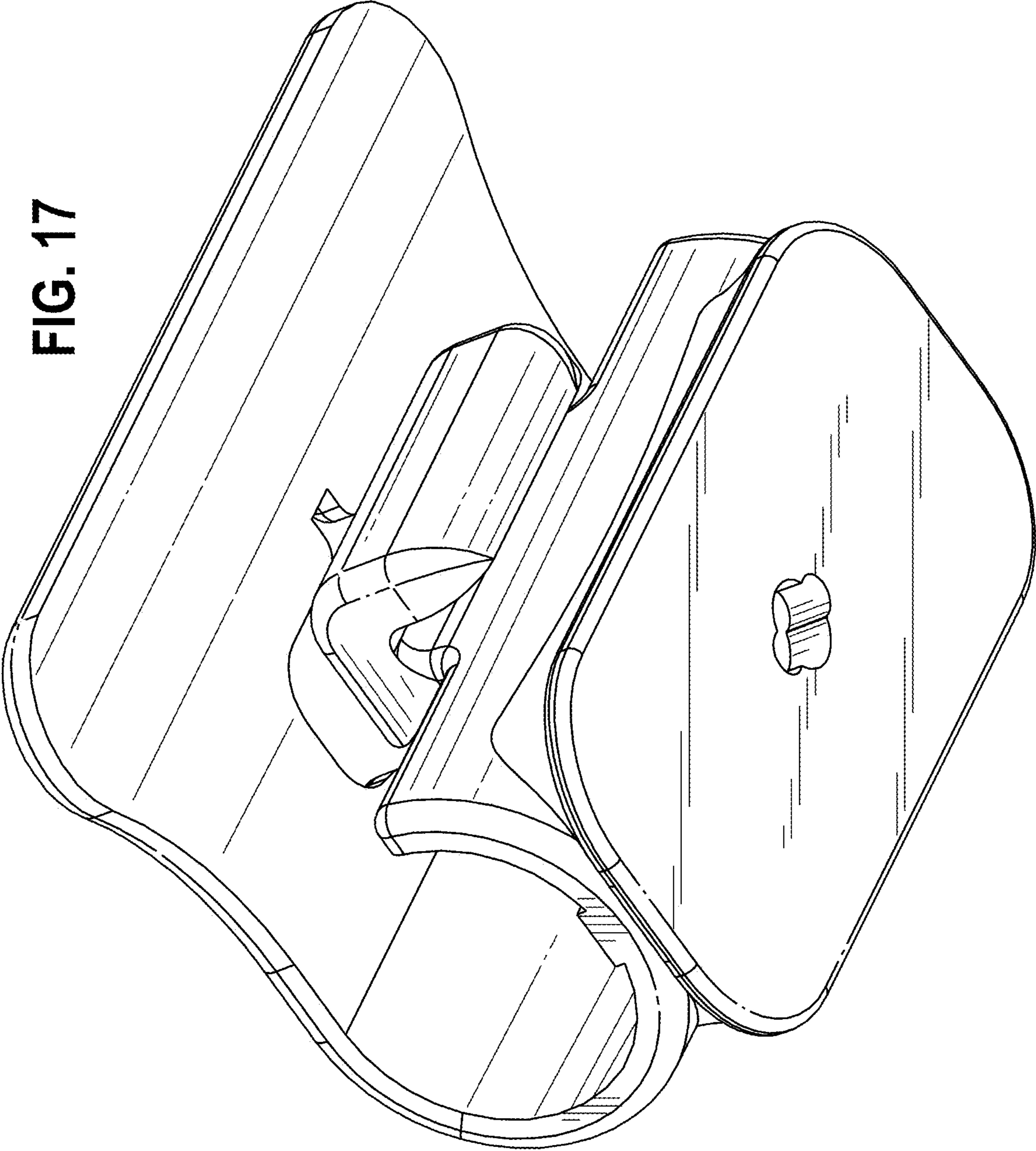


FIG. 18

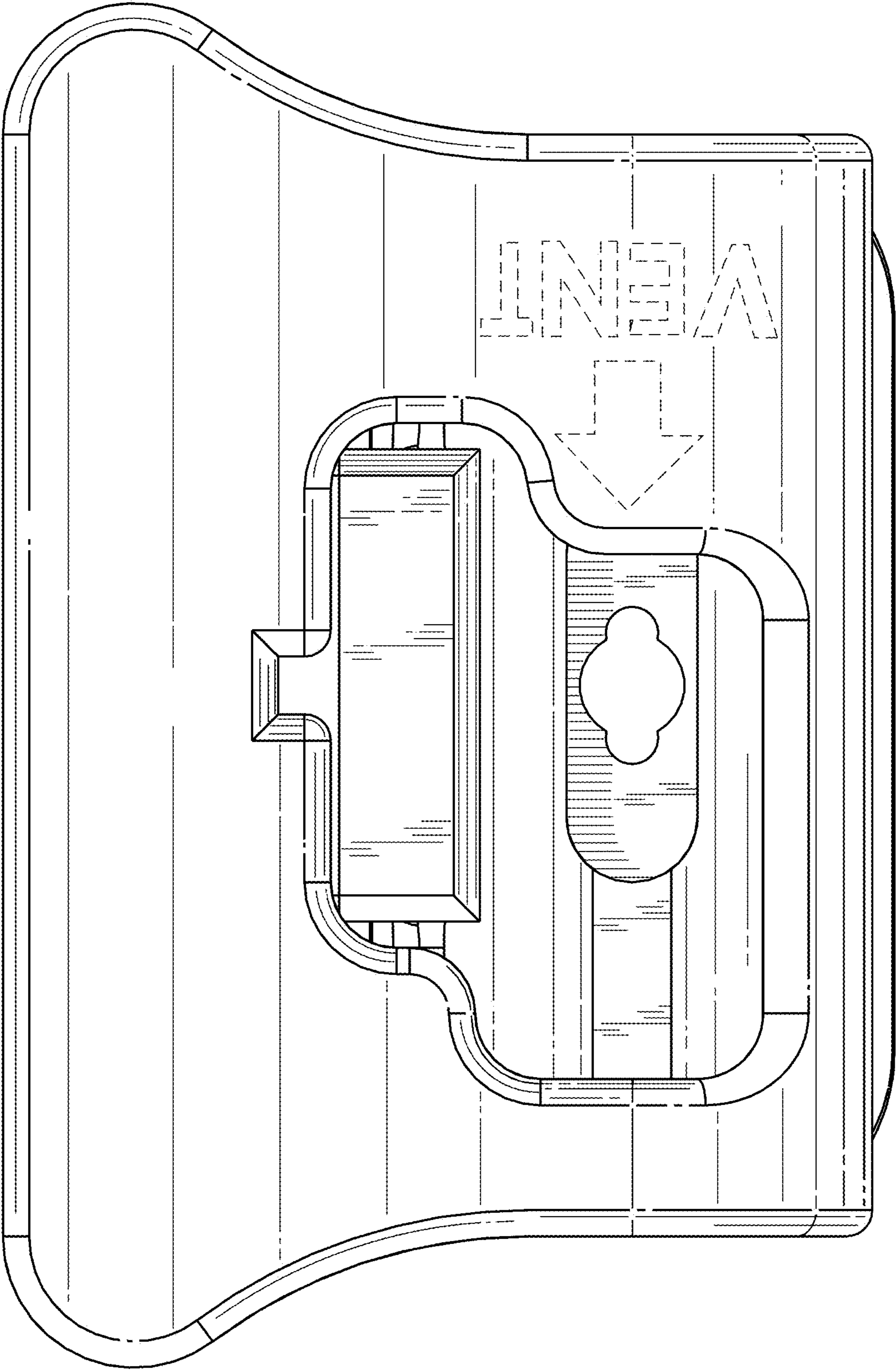


FIG. 19

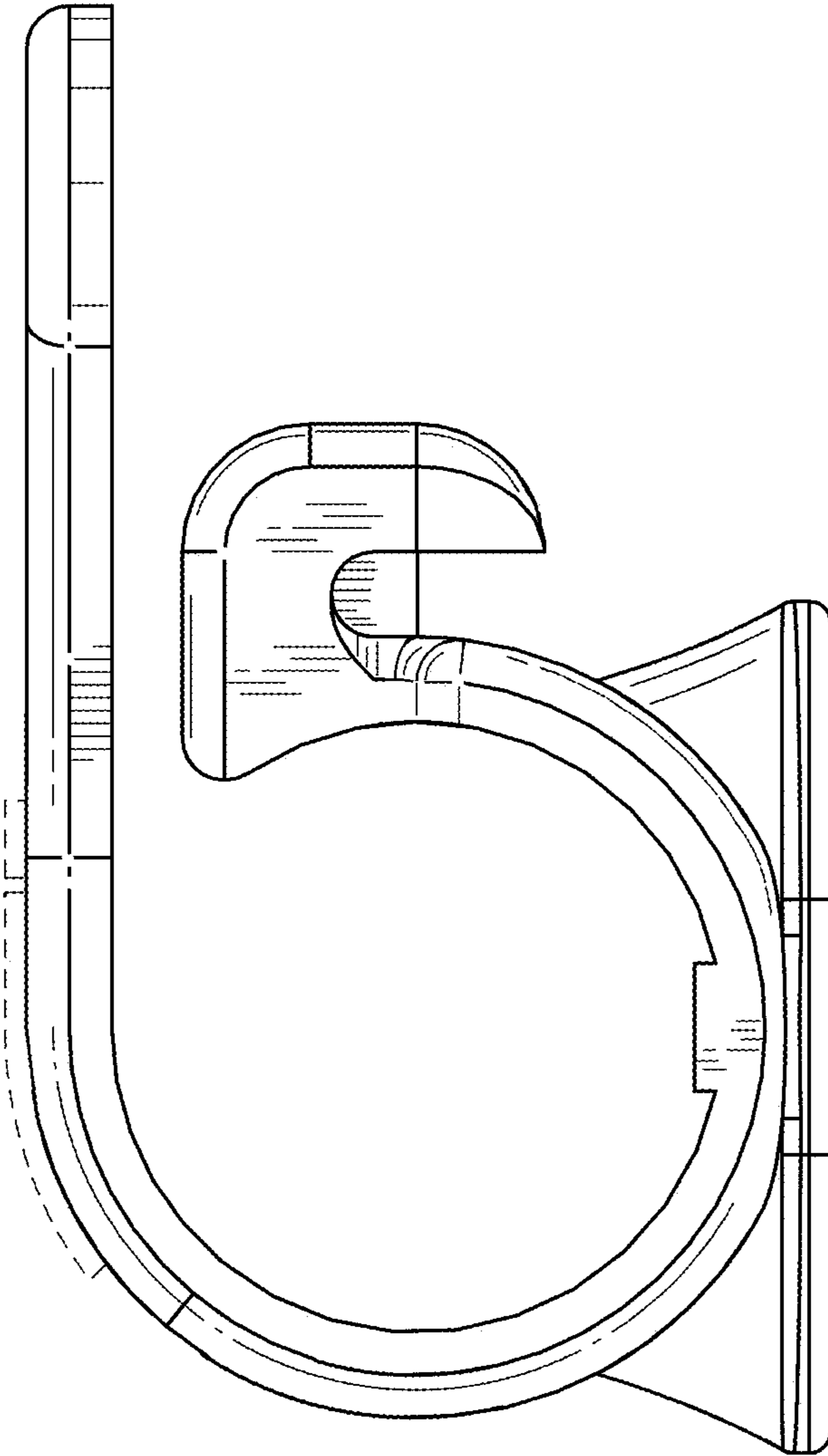


FIG. 20

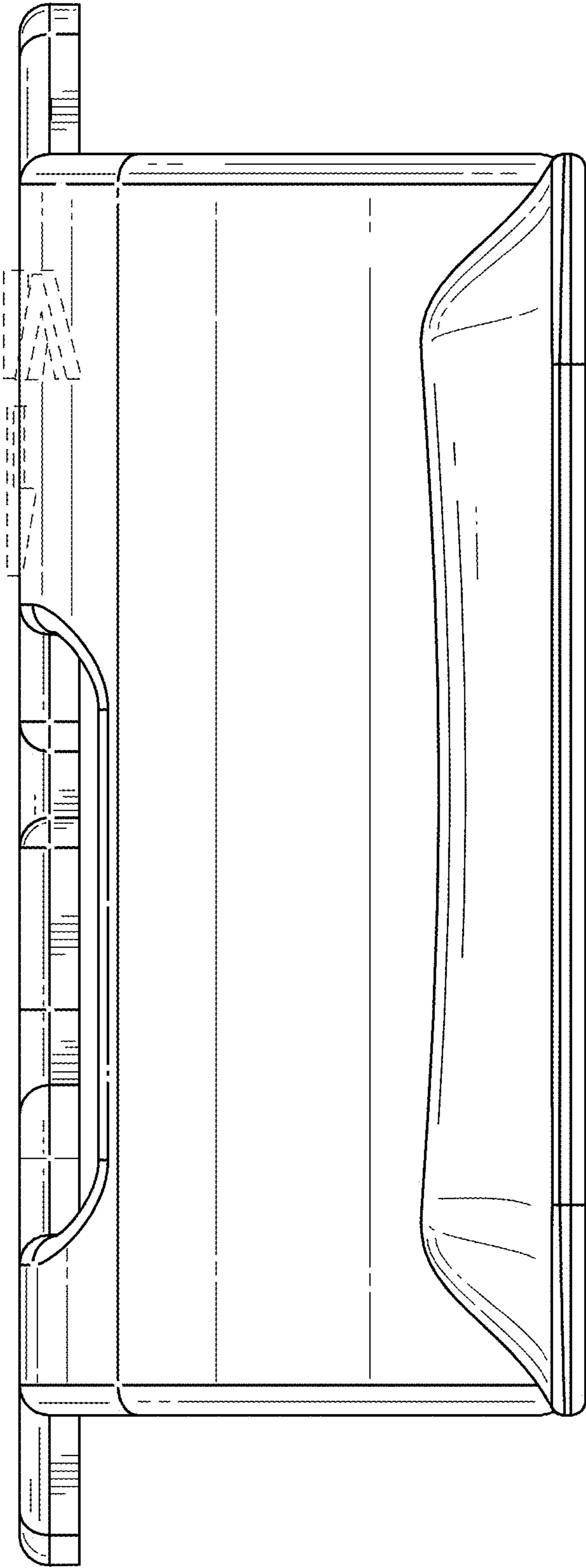


FIG. 21

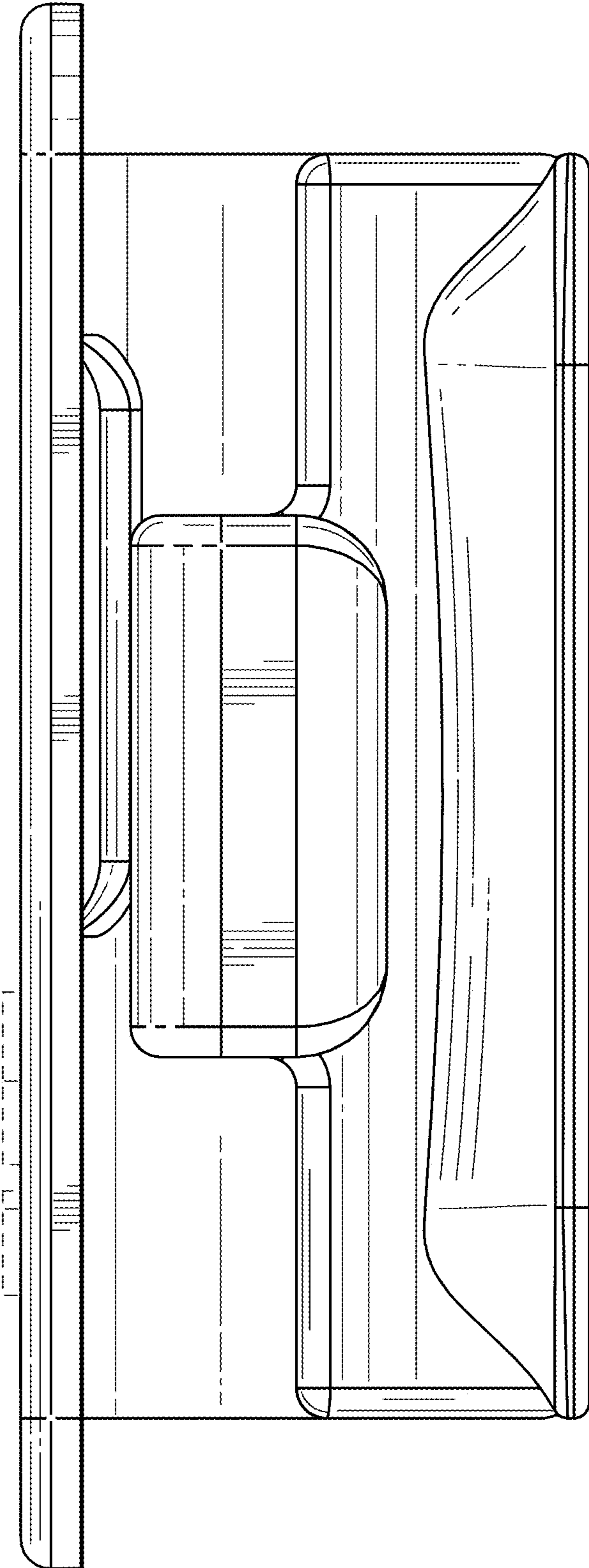


FIG. 22

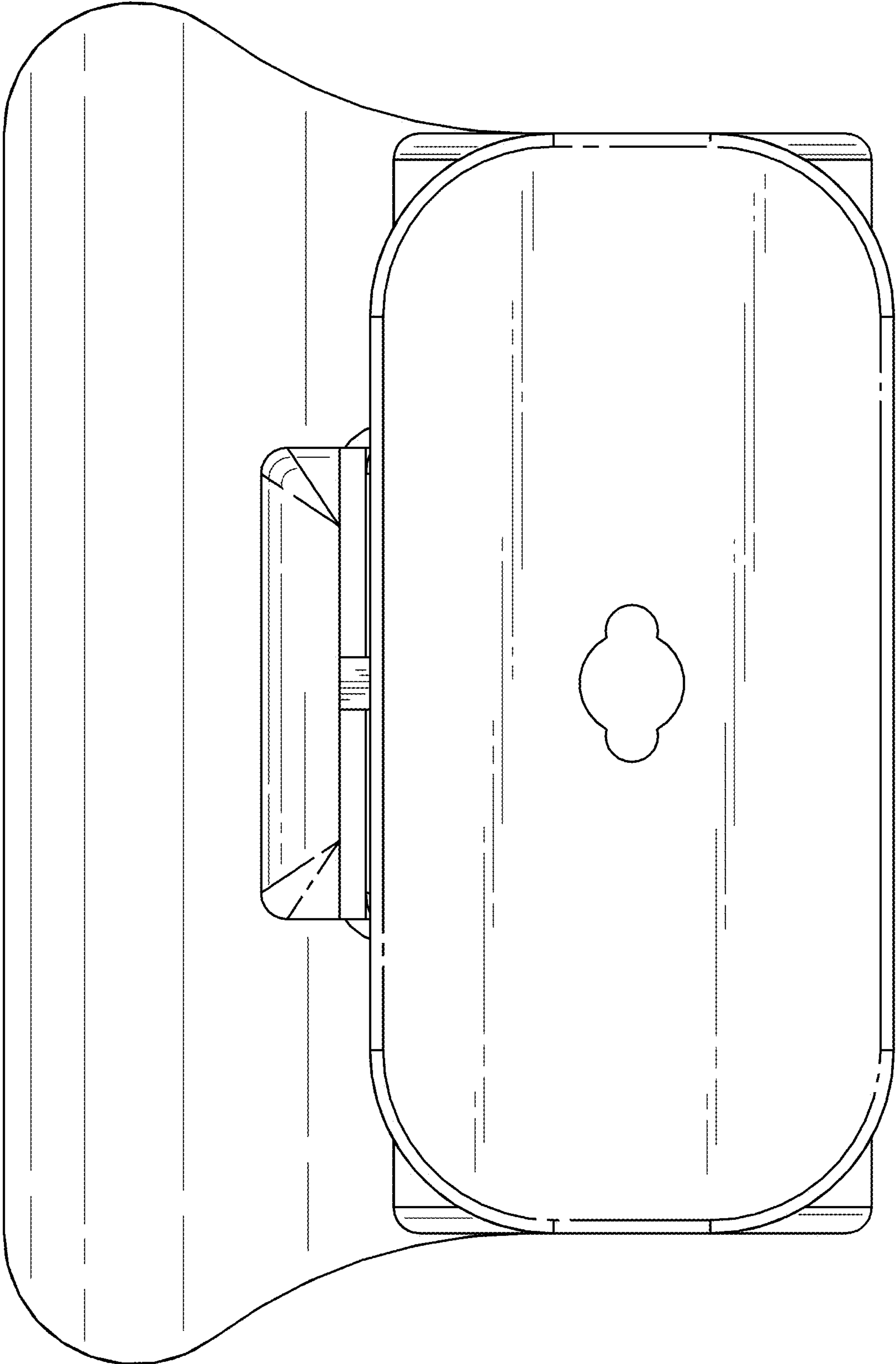
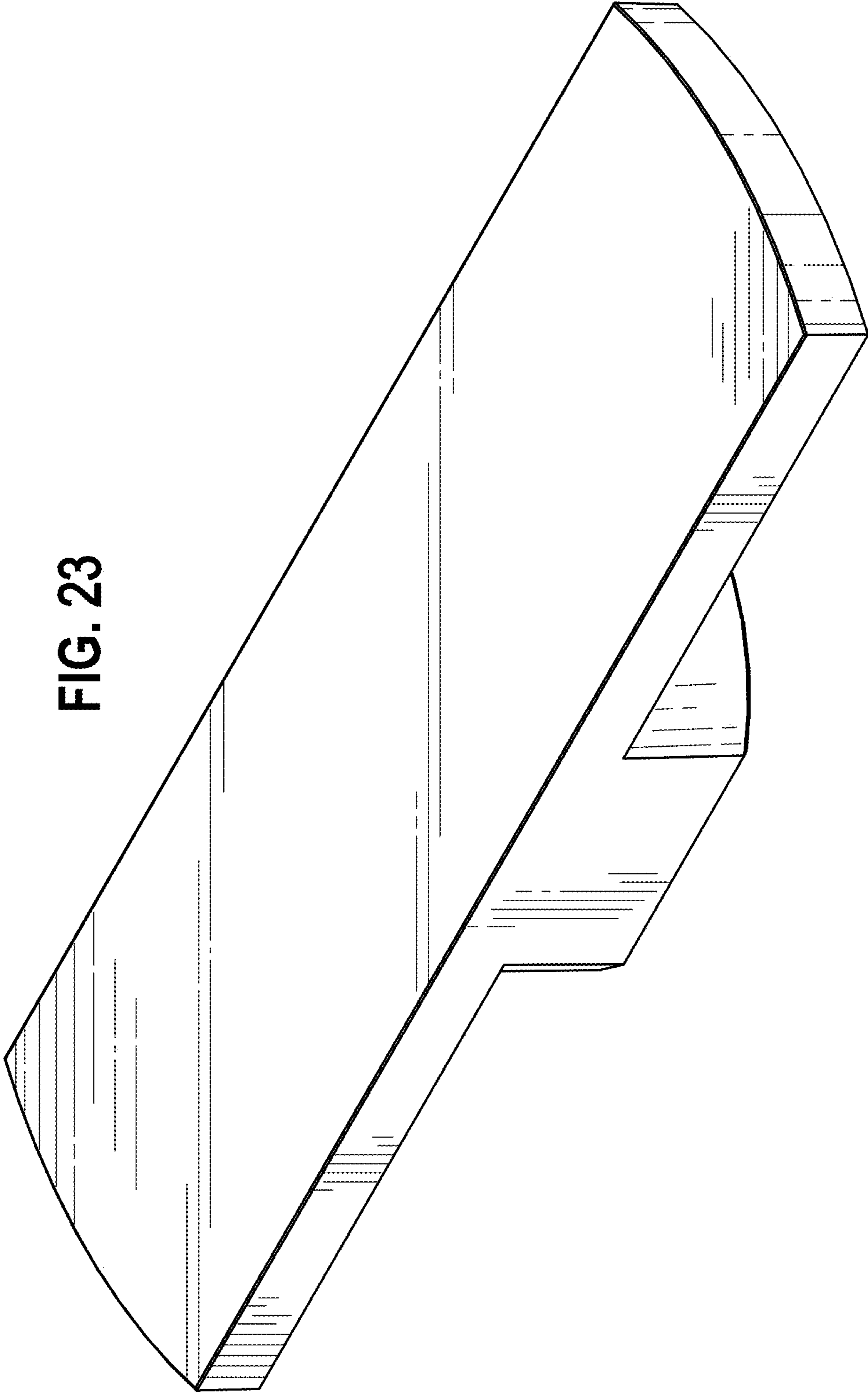
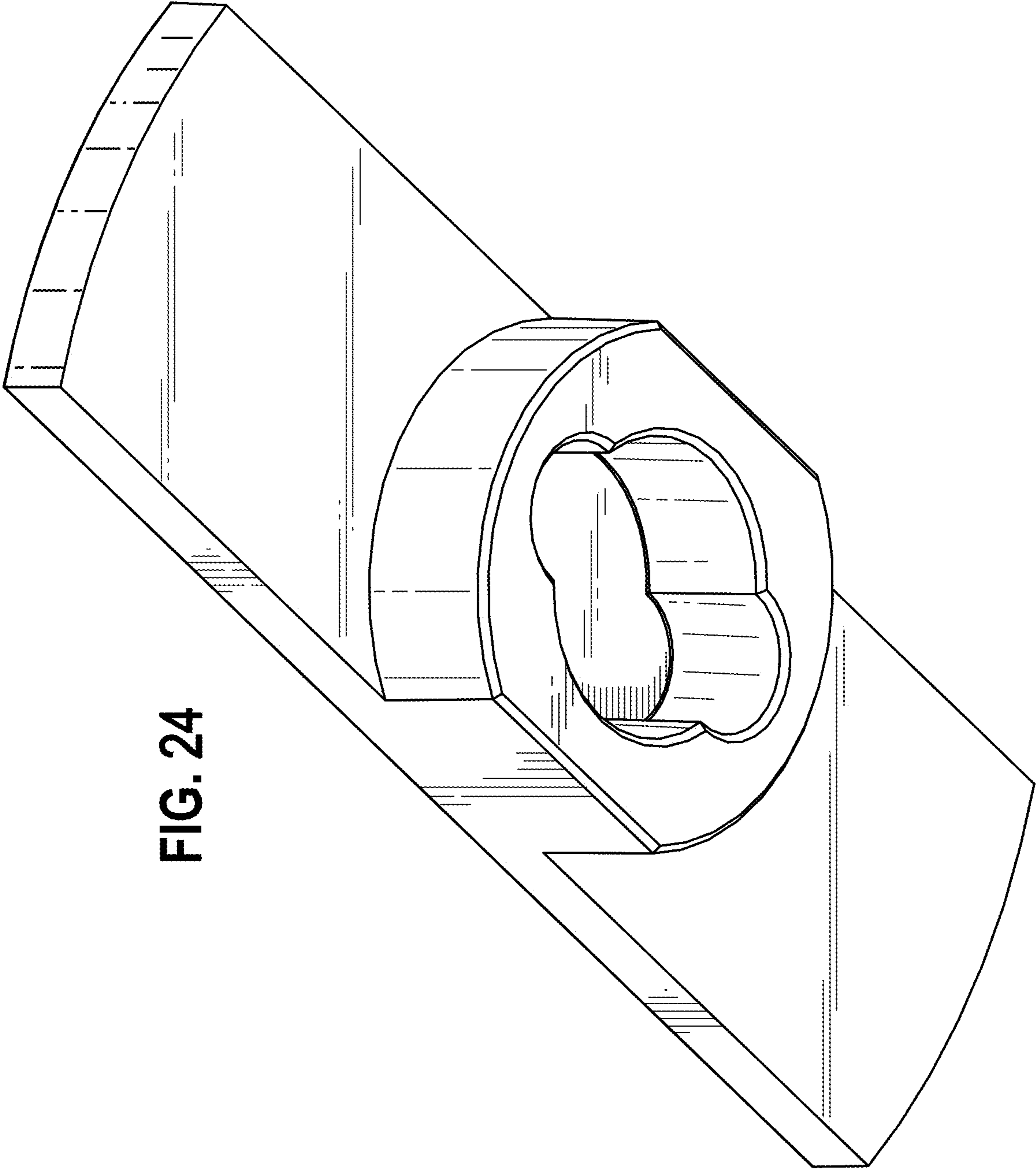


FIG. 23





**FIG. 24**



FIG. 25

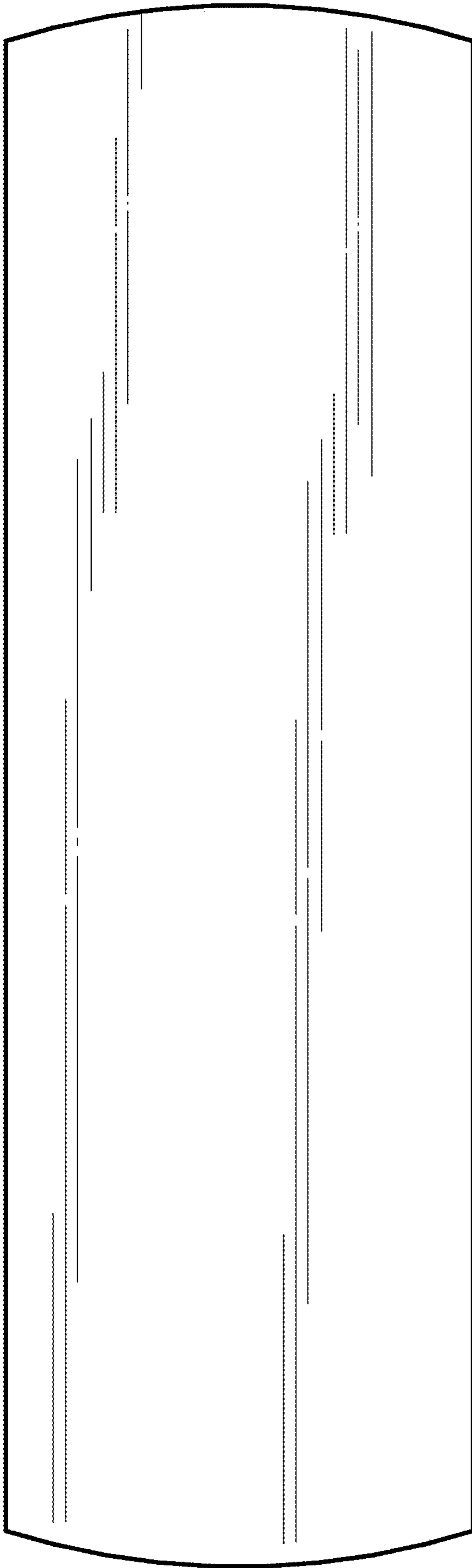


FIG. 26

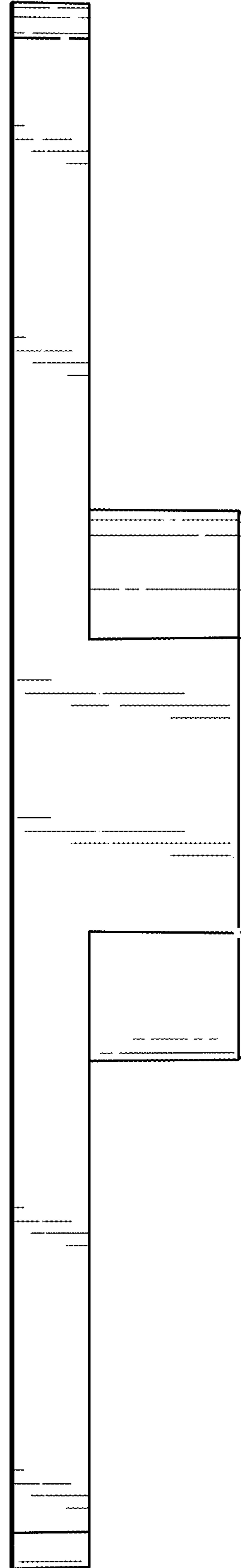


FIG. 27

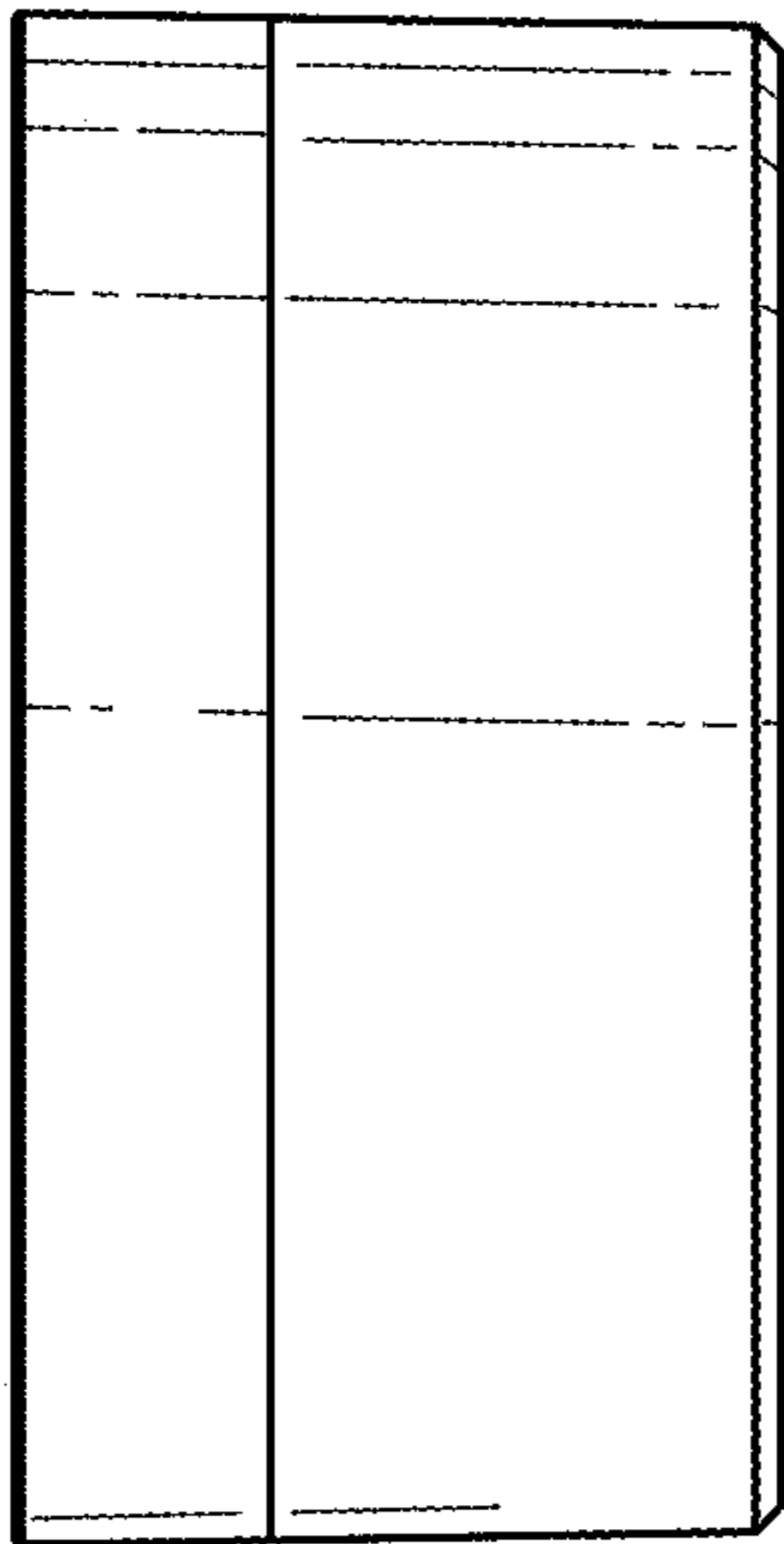


FIG. 28

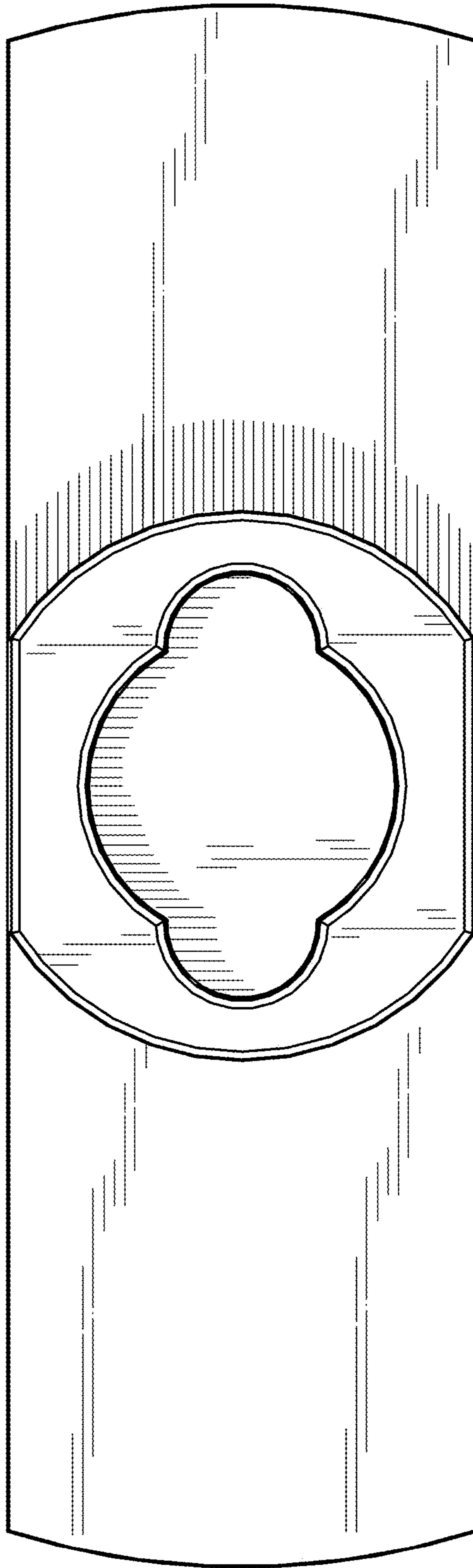


FIG. 29

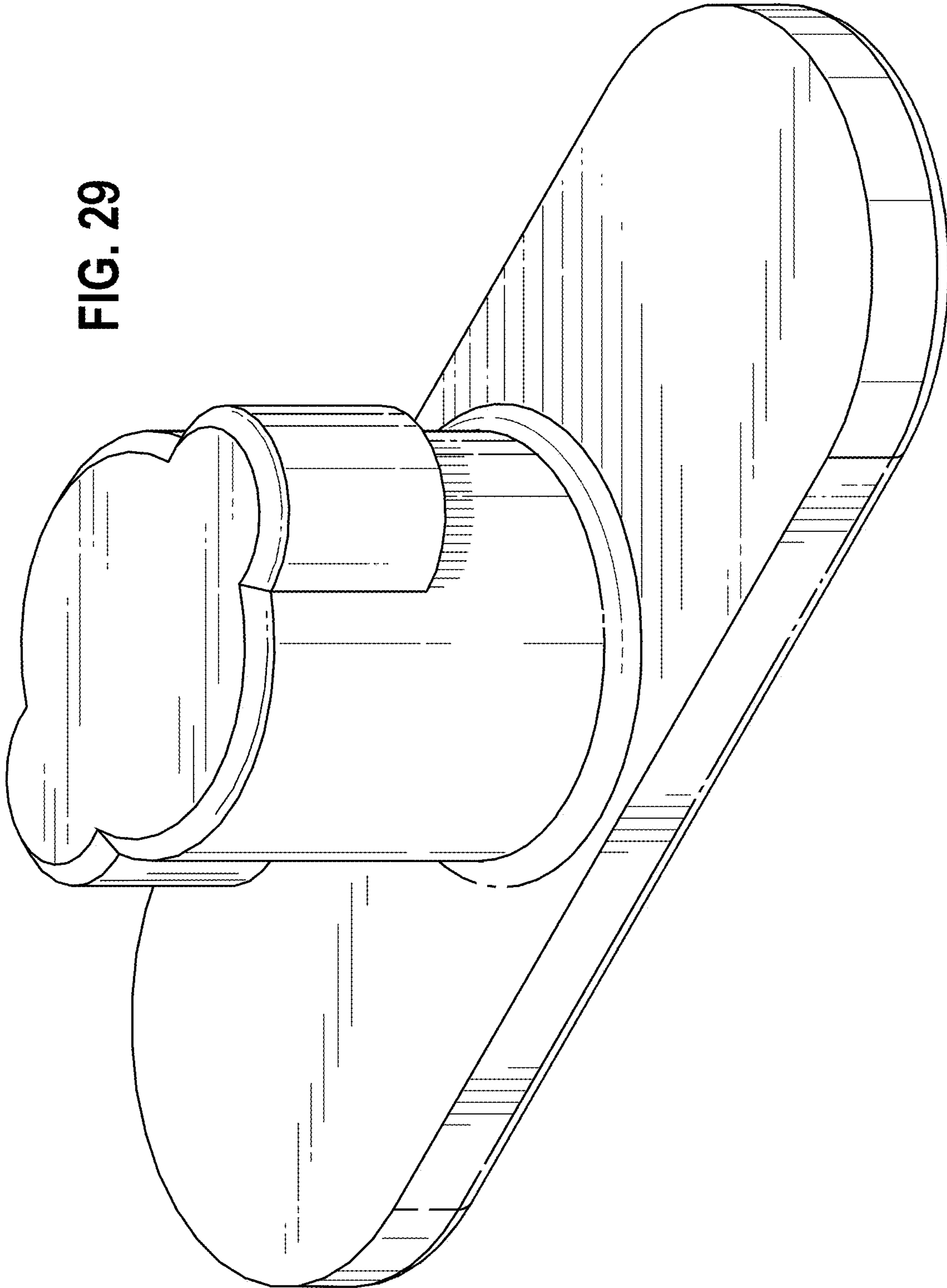


FIG. 30

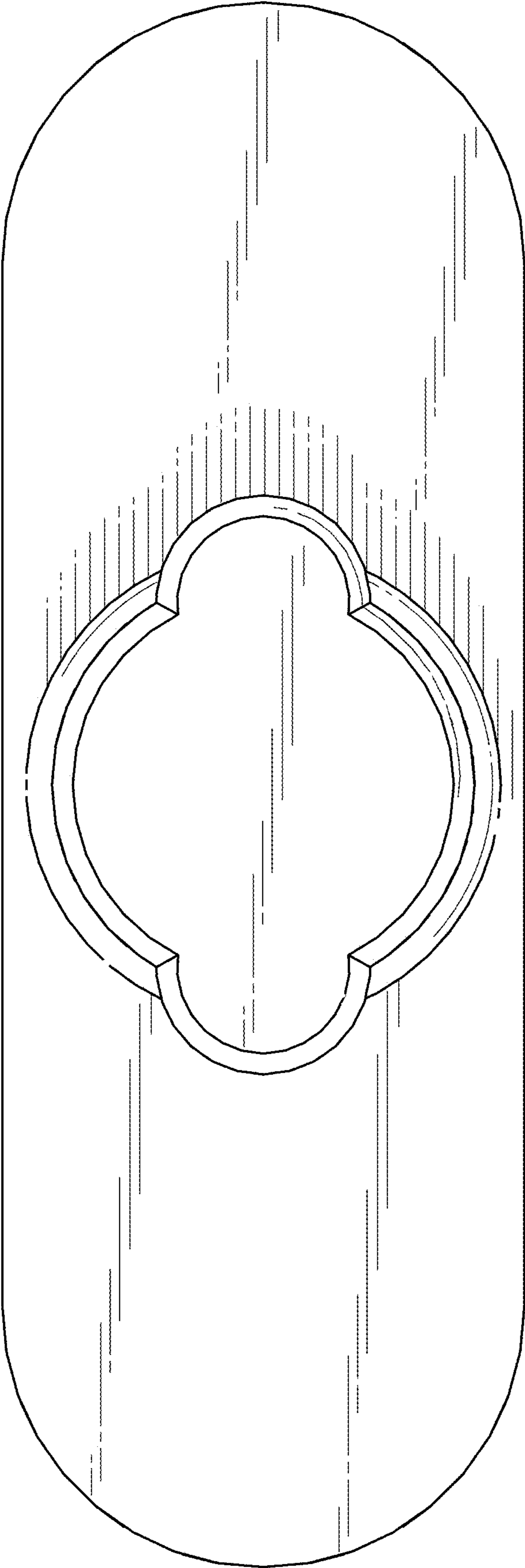


FIG. 31

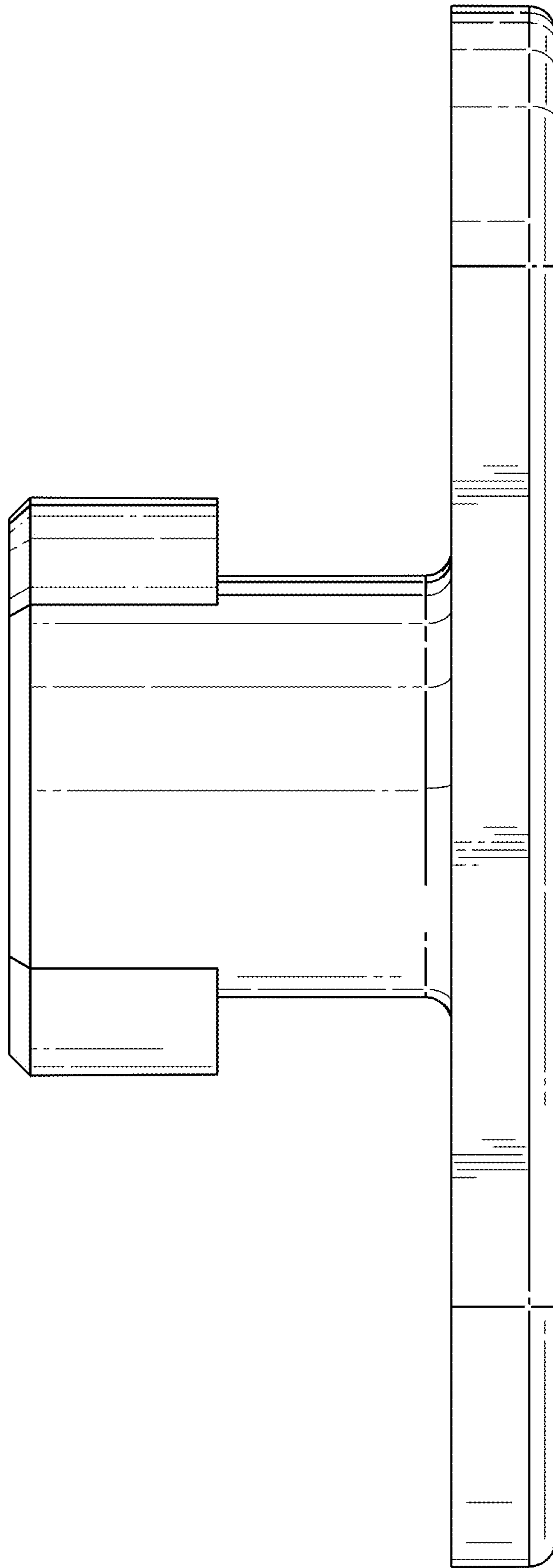


FIG. 32

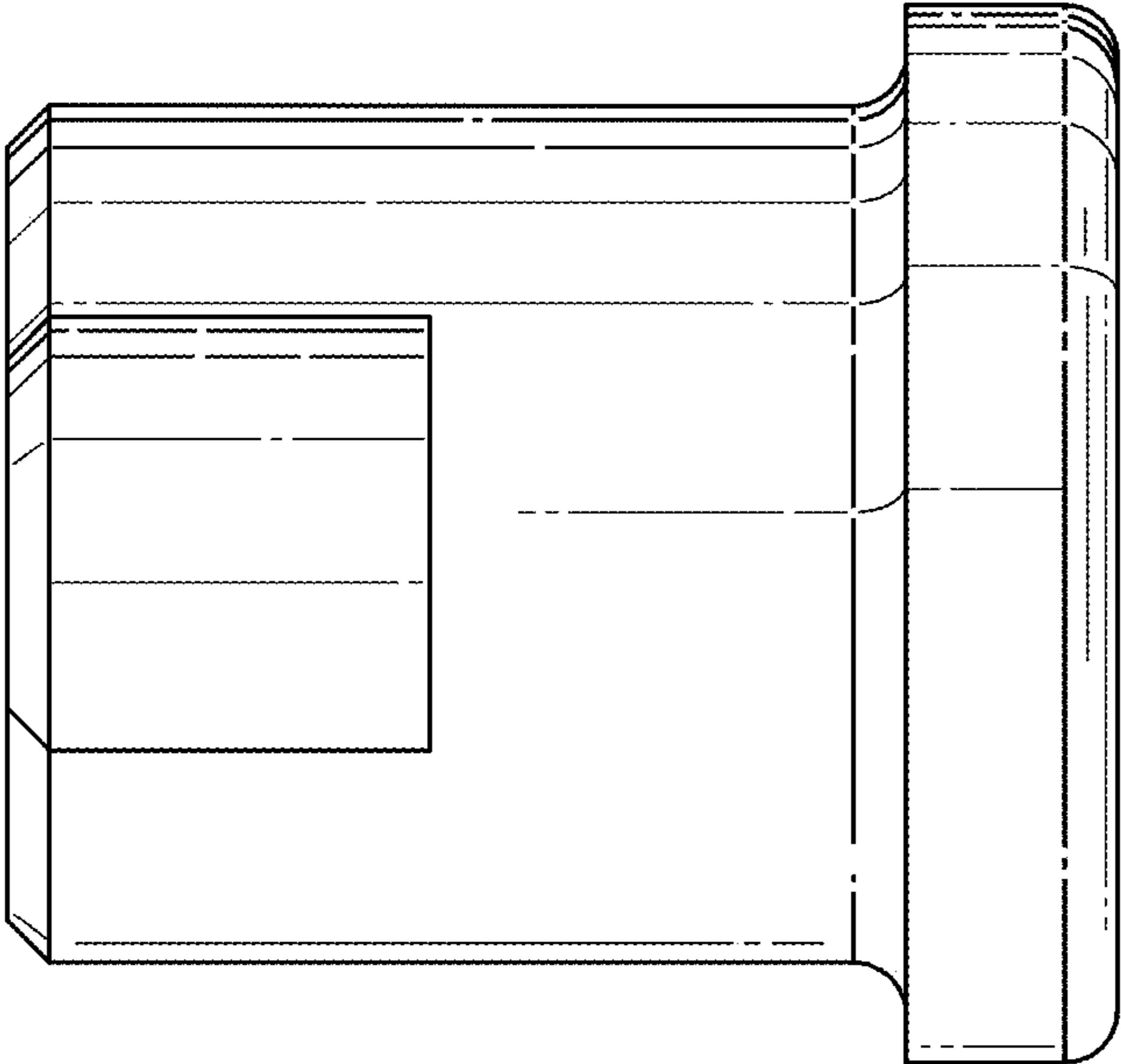


FIG. 33

