

US00D890920S

(12) **United States Design Patent**  
**Lin**

(10) **Patent No.:** **US D890,920 S**

(45) **Date of Patent:** **\*\* Jul. 21, 2020**

(54) **PRESSURE INDICATING SYRINGE**

(71) Applicant: **FLATMED, LLC**, Taipei (TW)

(72) Inventor: **Li-Yu Lin**, Taipei (TW)

(73) Assignee: **FLATMED, LLC**, Taipei (TW)

(\*\*) Term: **15 Years**

(21) Appl. No.: **29/674,561**

(22) Filed: **Dec. 21, 2018**

(51) **LOC (12) Cl.** ..... **24-02**

(52) **U.S. Cl.**  
USPC ..... **D24/114**

(58) **Field of Classification Search**  
USPC ..... D24/112-114, 108, 133, 130, 127, 186;  
606/181, 185; 604/264, 272, 187, 181,  
604/184, 227  
CPC ..... A61M 5/178; A61M 3/00; A61M 5/20;  
A61M 5/31; A61M 5/3146; A61M  
5/3129; A61M 5/3148

See application file for complete search history.

(56) **References Cited**

**U.S. PATENT DOCUMENTS**

D401,324 S	*	11/1998	Hjertman	.....	D24/114
D447,797 S	*	9/2001	Odell	.....	D24/112
D578,210 S	*	10/2008	Muta	.....	D24/114
D721,803 S	*	1/2015	Dubach	.....	D24/114
D739,524 S	*	9/2015	Zemel	.....	D24/114
D741,476 S	*	10/2015	Hiraoka	.....	D24/114

D747,797 S	*	1/2016	Fourt	.....	D24/114
D785,162 S	*	4/2017	Swisher	.....	D24/114
D819,805 S	*	6/2018	Knight	.....	D24/114
D837,983 S	*	1/2019	Fangrow	.....	A61M 5/142
					D24/146
D838,368 S	*	1/2019	Rifani	.....	D24/133
D851,757 S	*	6/2019	Nandi	.....	D24/114
D866,753 S	*	11/2019	Mandaroux	.....	D24/114

\* cited by examiner

*Primary Examiner* — David G Muller

(74) *Attorney, Agent, or Firm* — Juan Carlos A. Marquez;  
Marquez IP Law Office, PLLC

(57) **CLAIM**

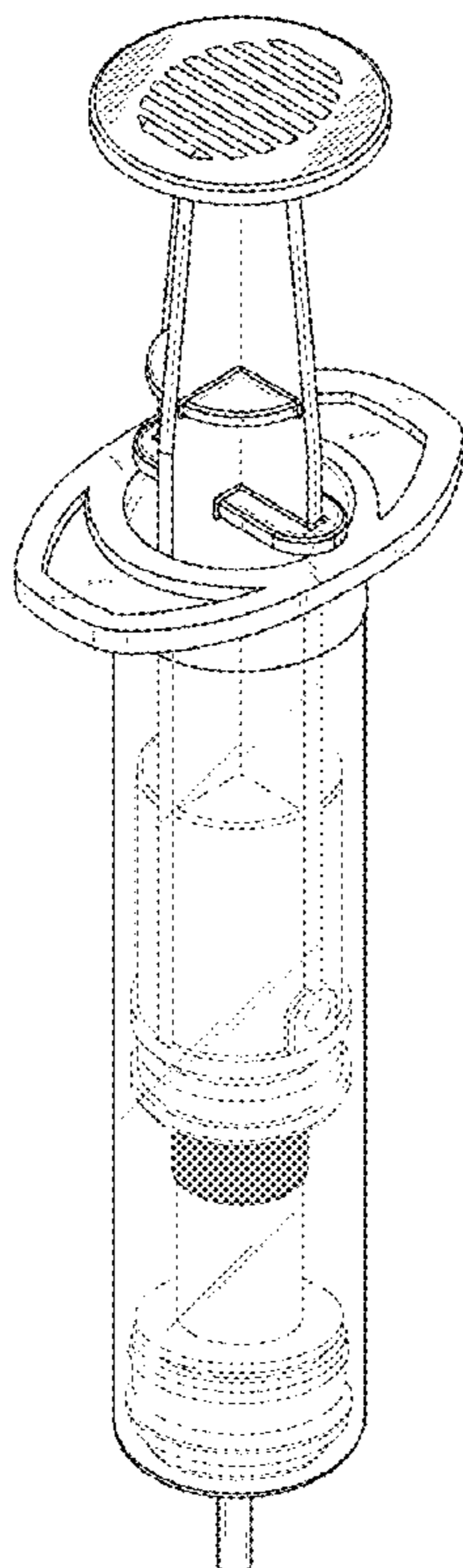
The ornamental design for a pressure indicating syringe, as shown and described.

**DESCRIPTION**

FIG. 1 is a perspective view of a pressure indicating syringe, showing my new design;  
FIG. 2 is a front view thereof;  
FIG. 3 is a rear view thereof;  
FIG. 4 is a right view thereof;  
FIG. 5 is a left view thereof;  
FIG. 6 is a top view thereof; and,  
FIG. 7 is a bottom view thereof.

The inner cylinder portions of the claimed design as illustrated in FIGS. 1-5 show a first cylindrical portion of the syringe drawn to represent a contrasting appearance relative to at least a second cylindrical portion of the syringe.

**1 Claim, 6 Drawing Sheets**



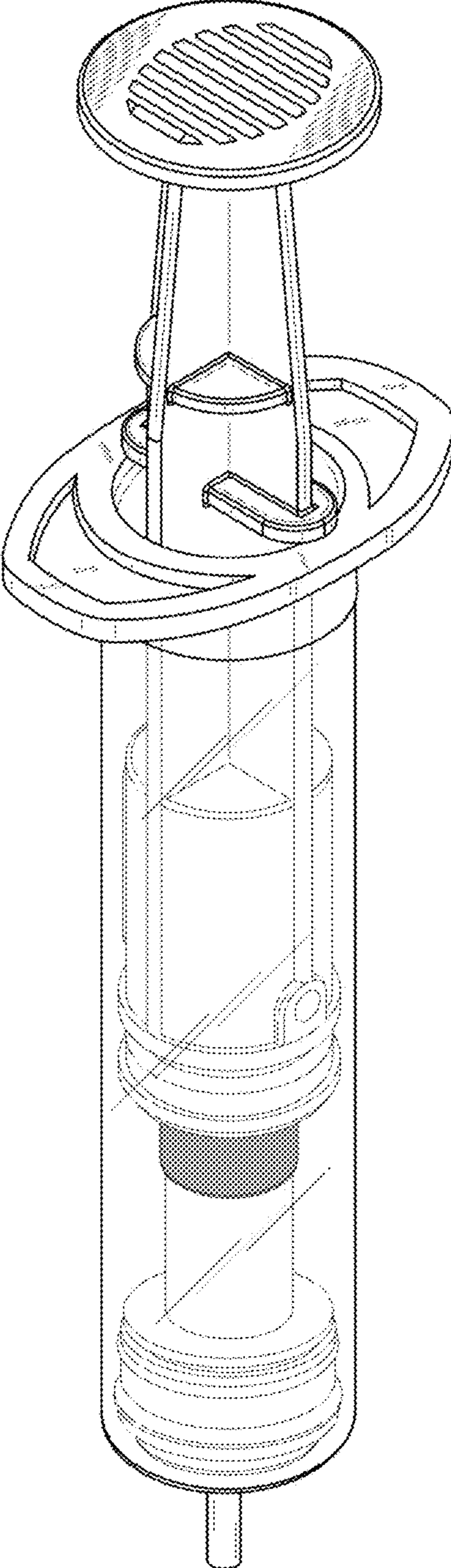


FIG. 1

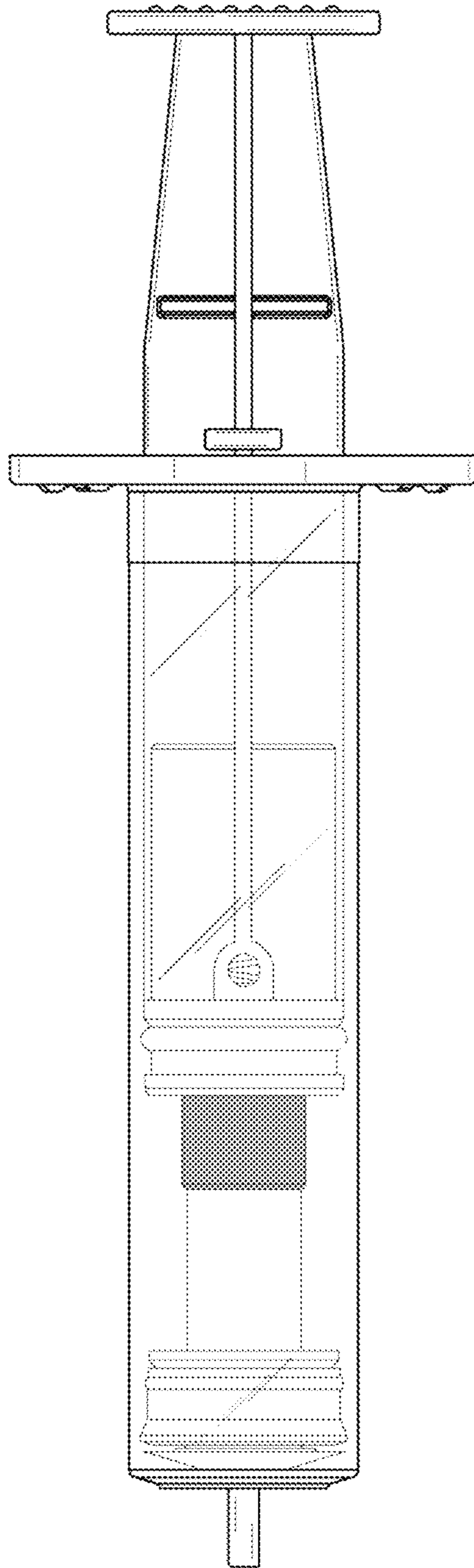


FIG. 2

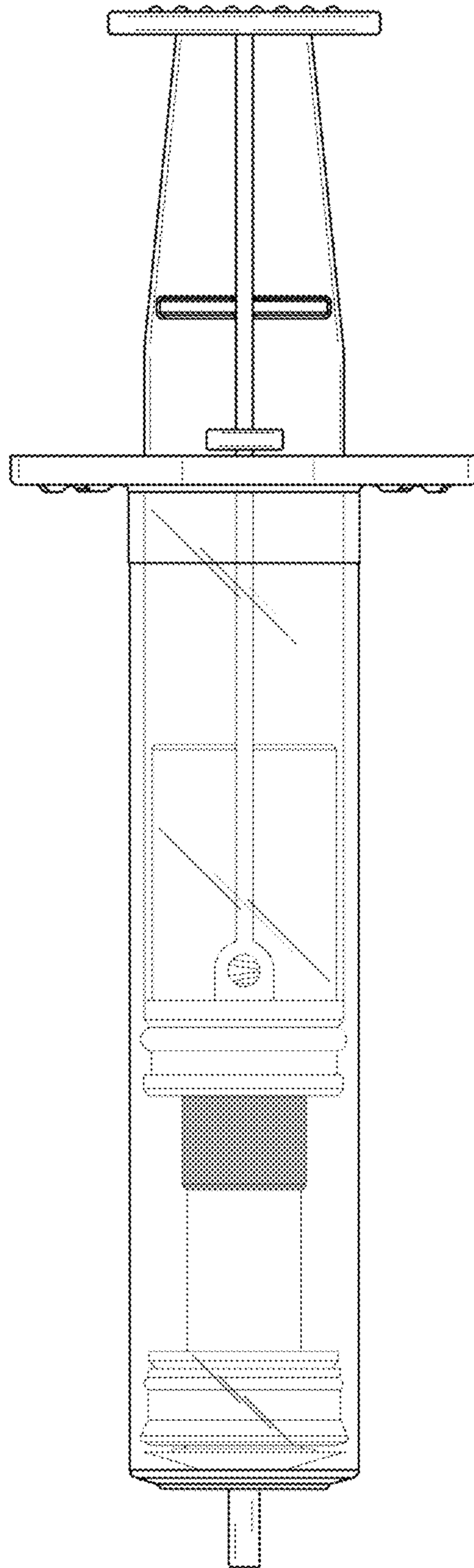


FIG. 3

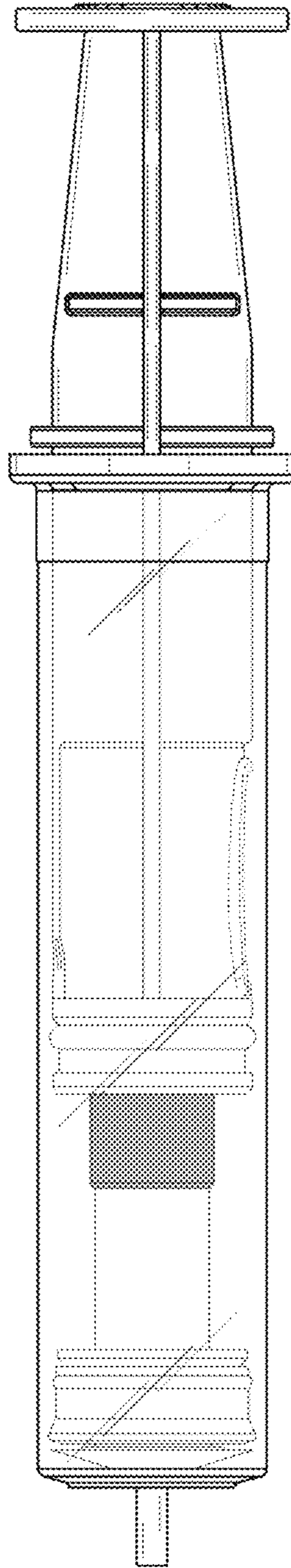


FIG. 4

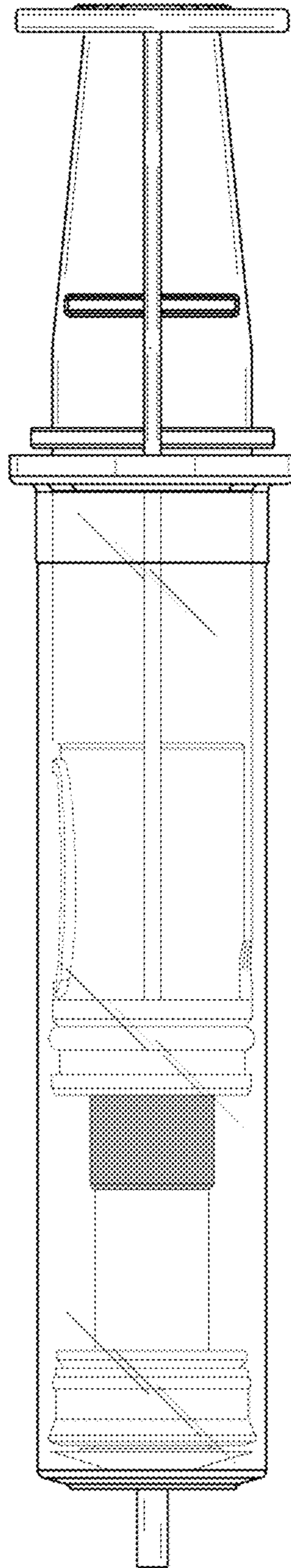


FIG. 5

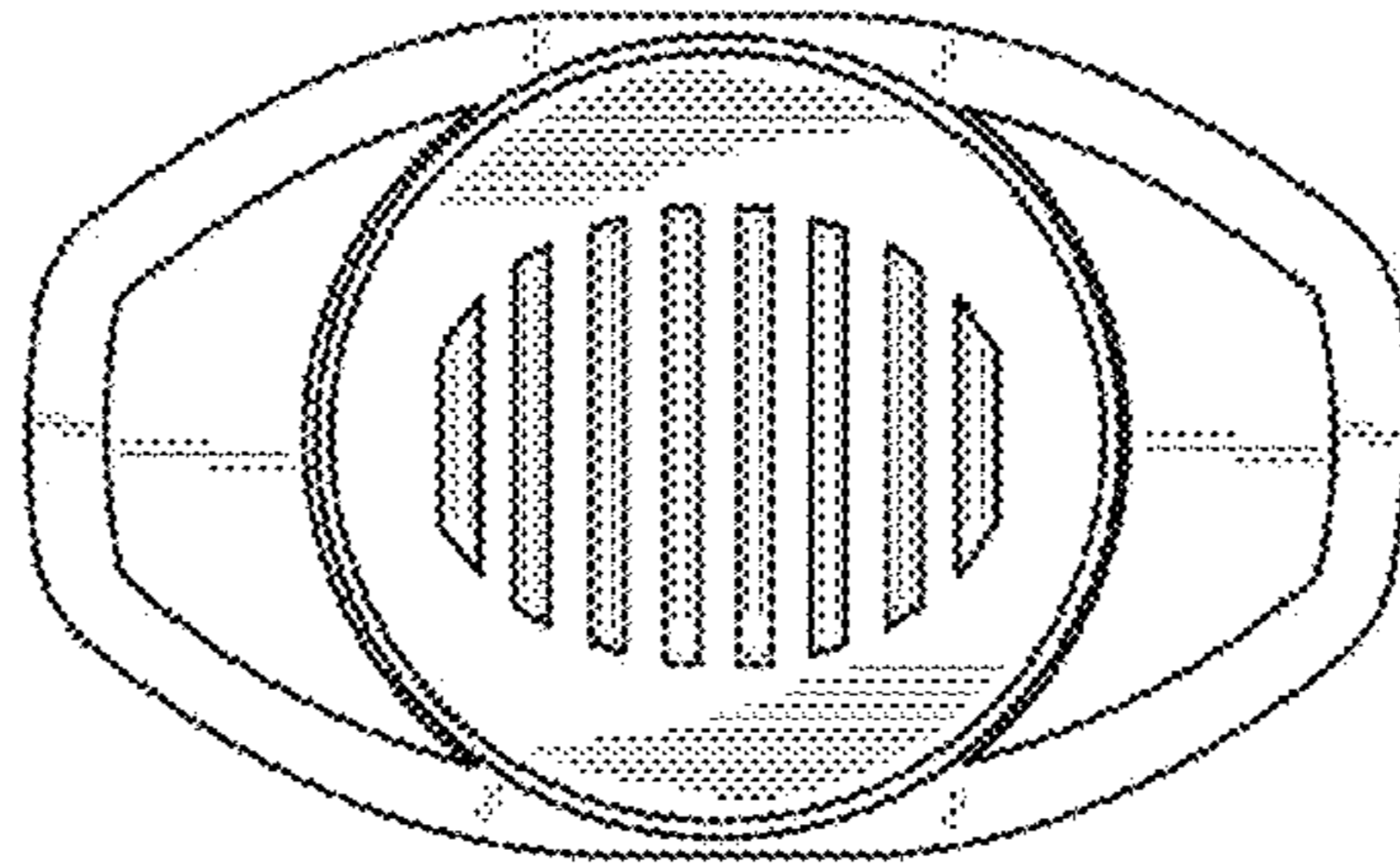


FIG. 6

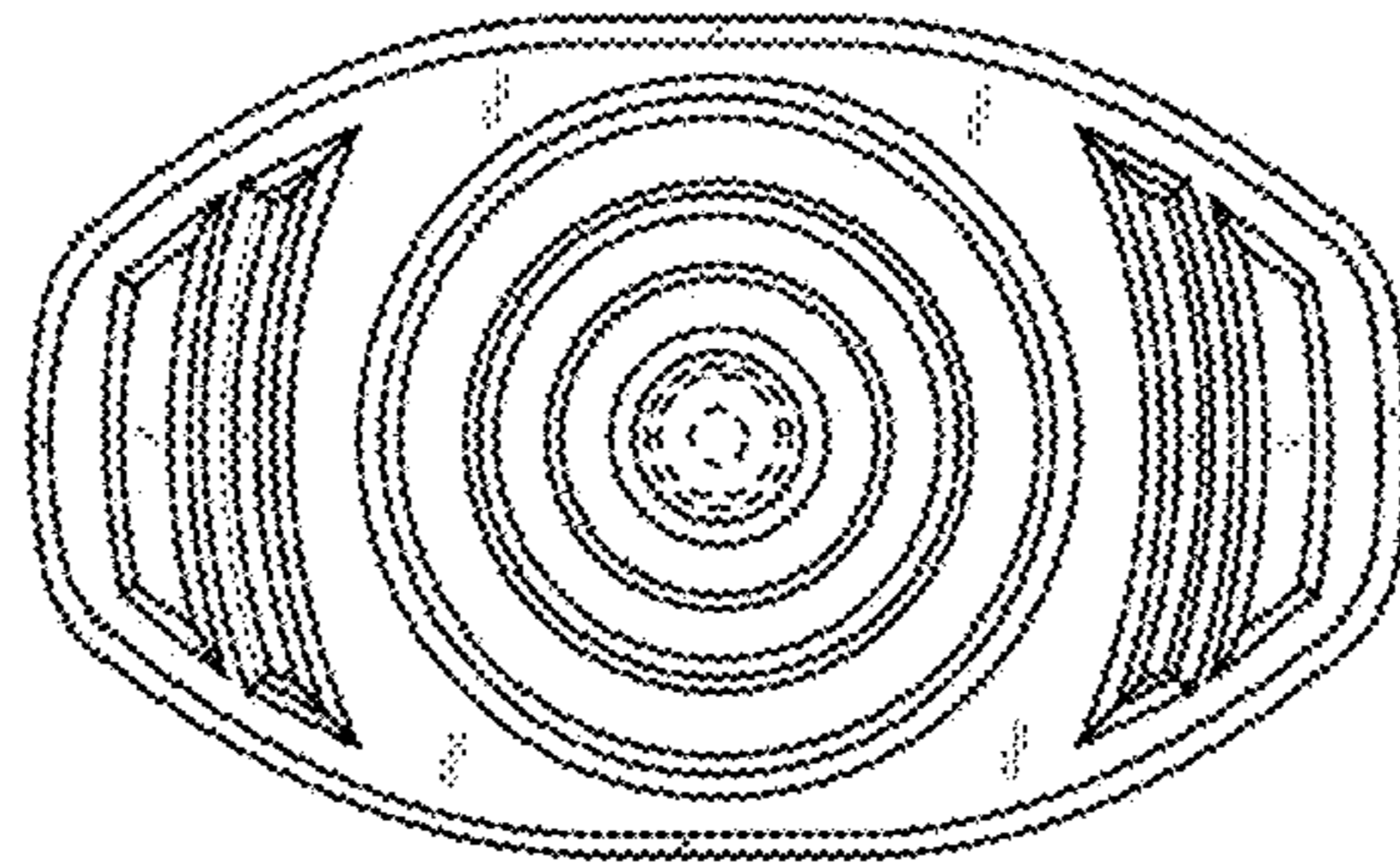


FIG. 7