

US00D890919S

(12) **United States Design Patent** (10) **Patent No.:** **US D890,919 S**
Lin (45) **Date of Patent:** **** Jul. 21, 2020**

(54) **PRESSURE INDICATING SYRINGE**
(71) Applicant: **FLATMED, LLC**, Taipei (TW)
(72) Inventor: **Li-Yu Lin**, Taipei (TW)
(73) Assignee: **FLATMED, LLC**, Taipei (TW)
(**) Term: **15 Years**

D721,803 S * 1/2015 Dubach D24/114
D739,524 S * 9/2015 Zemel D24/114
D741,476 S * 10/2015 Hiraoka D24/114
D747,797 S * 1/2016 Fourt D24/114
D785,162 S * 4/2017 Swisher D24/114
D819,805 S * 6/2018 Knight D24/114
D837,983 S * 1/2019 Fangrow A61M 5/142
D838,368 S * 1/2019 Rifani D24/133
D851,757 S * 6/2019 Nandi D24/114
D866,753 S * 11/2019 Mandaroux D24/114

(21) Appl. No.: **29/674,491**

* cited by examiner

(22) Filed: **Dec. 21, 2018**

Primary Examiner — David G Muller

(51) **LOC (12) Cl.** **24-02**

(74) *Attorney, Agent, or Firm* — Juan Carlos A. Marquez;
Marquez IP Law Office, PLLC

(52) **U.S. Cl.**
USPC **D24/114**

(57) **CLAIM**

(58) **Field of Classification Search**
USPC D24/112–114, 108, 133, 130, 127, 186;
606/181, 185; 604/264, 272, 187, 181,
604/184, 227
CPC A61M 5/178; A61M 3/00; A61M 5/20;
A61M 5/31; A61M 5/3146; A61M
5/3129; A61M 5/3148
See application file for complete search history.

The ornamental design for a pressure indicating syringe, as shown and described.

DESCRIPTION

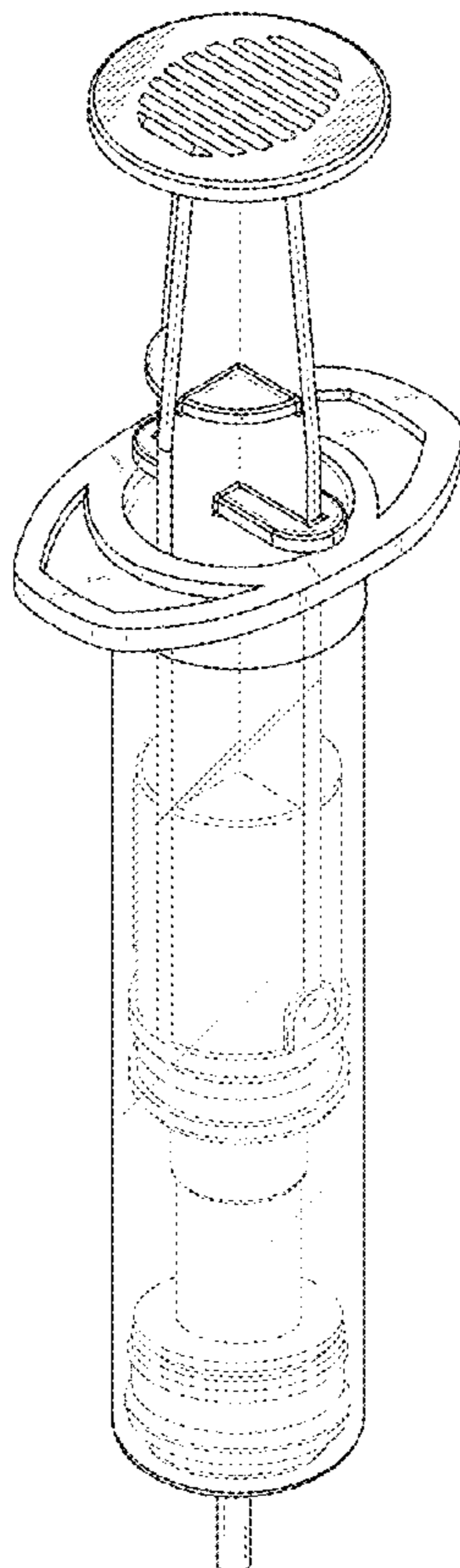
(56) **References Cited**

FIG. 1 is a perspective view of a pressure indicating syringe, showing my new design;
FIG. 2 is a front view thereof;
FIG. 3 is a rear view thereof;
FIG. 4 is a right view thereof;
FIG. 5 is a left view thereof;
FIG. 6 is a top view thereof; and,
FIG. 7 is a bottom view thereof.

U.S. PATENT DOCUMENTS

D401,324 S * 11/1998 Hjertman D24/114
D447,797 S * 9/2001 Odell D24/112
D578,210 S * 10/2008 Muta D24/114

1 Claim, 6 Drawing Sheets



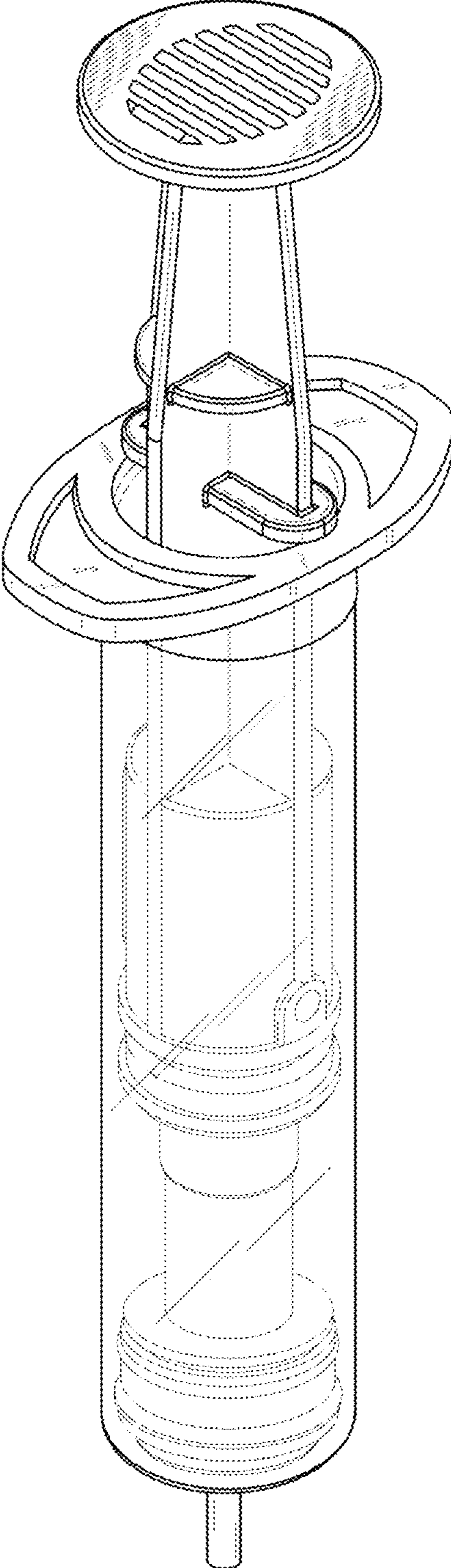


FIG. 1

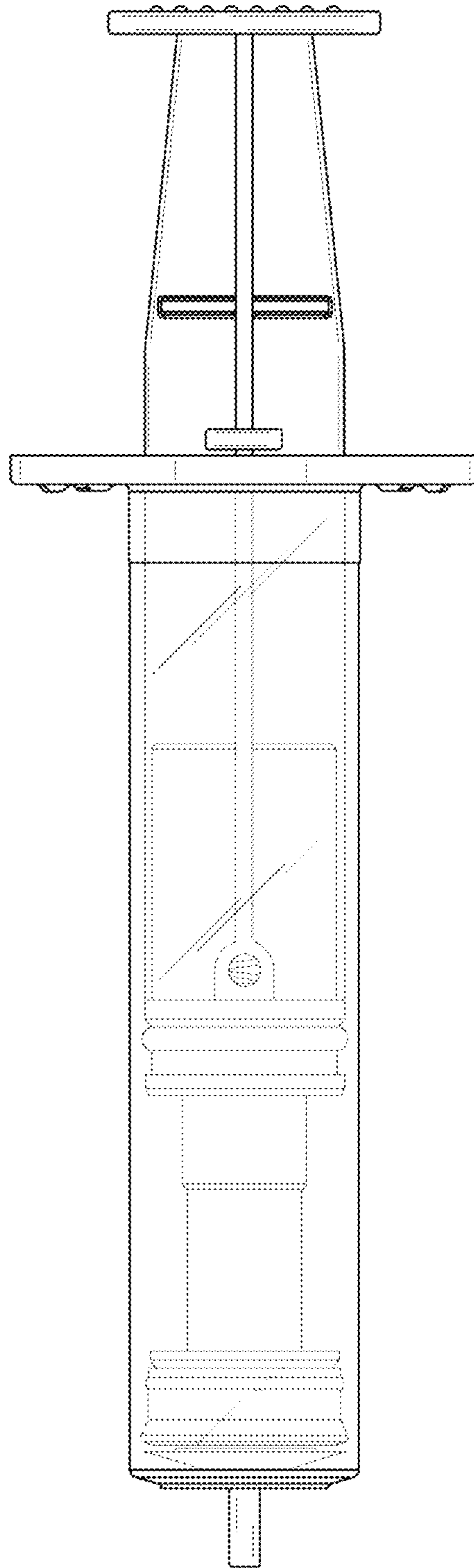


FIG. 2

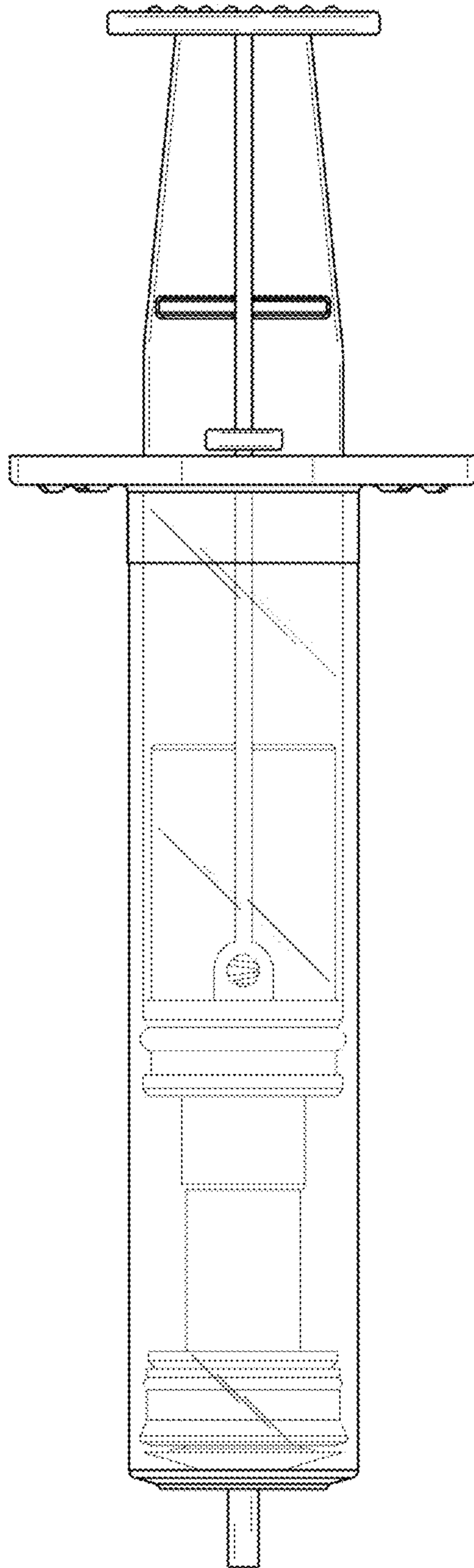


FIG. 3

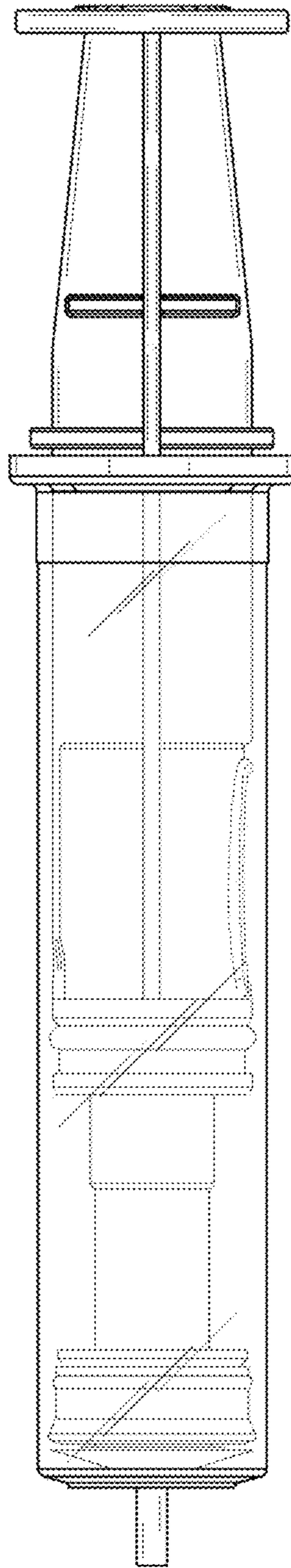


FIG. 4

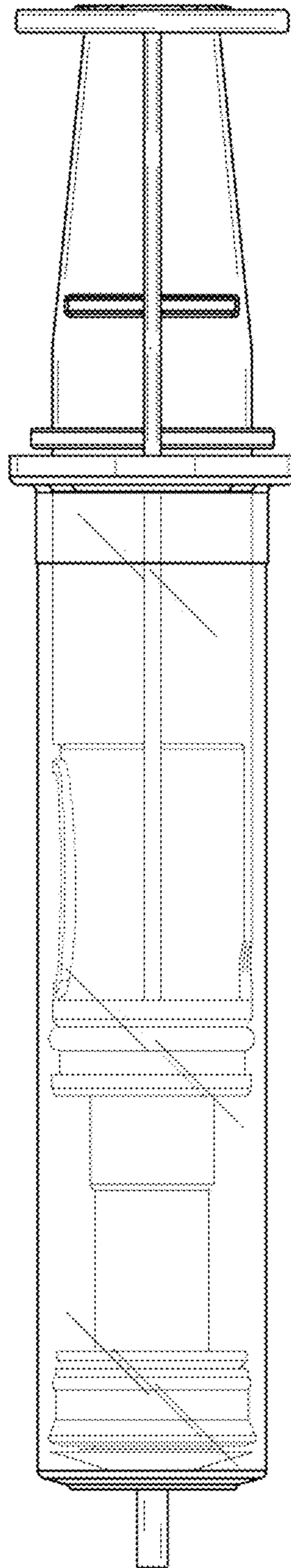


FIG. 5

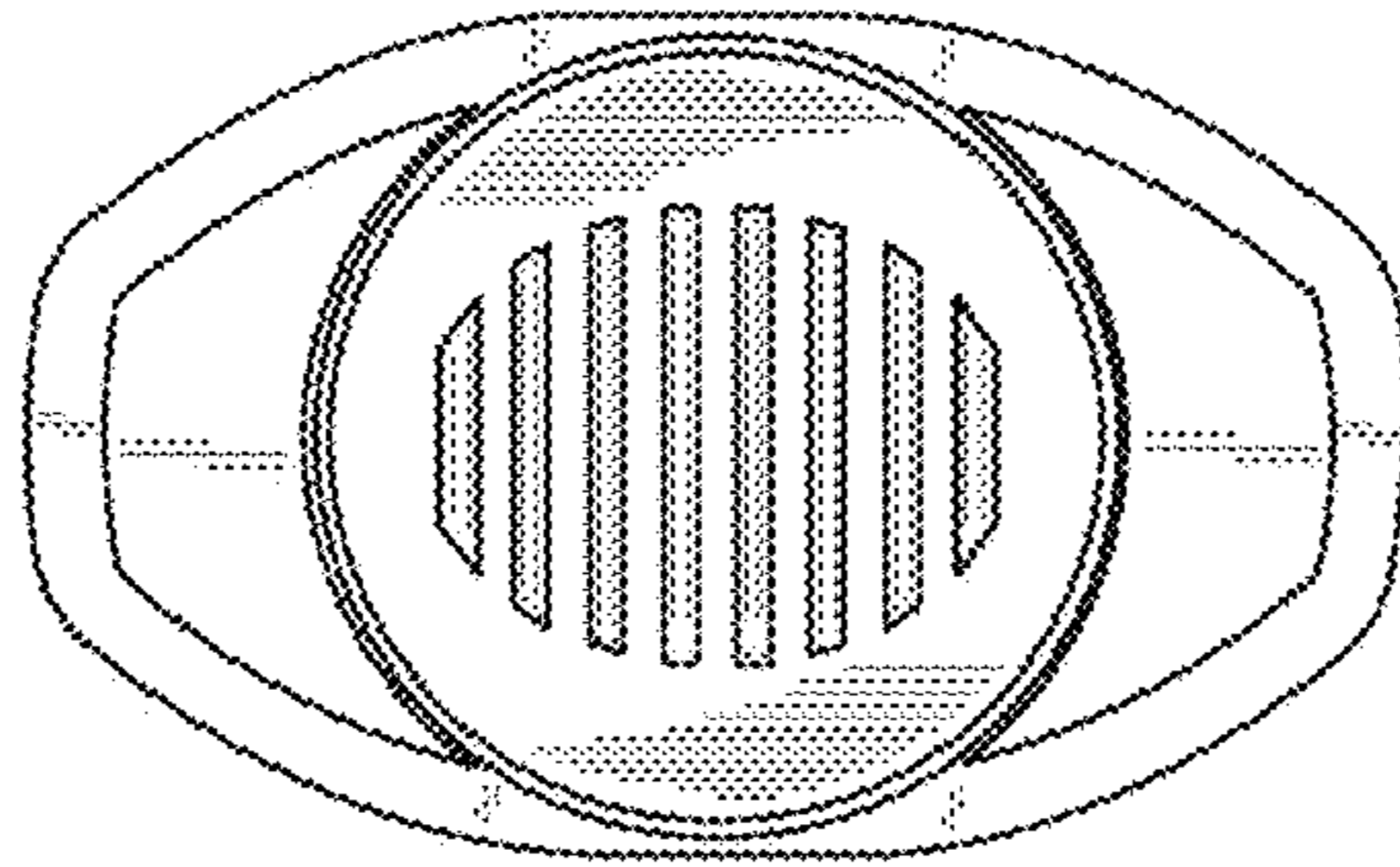


FIG. 6

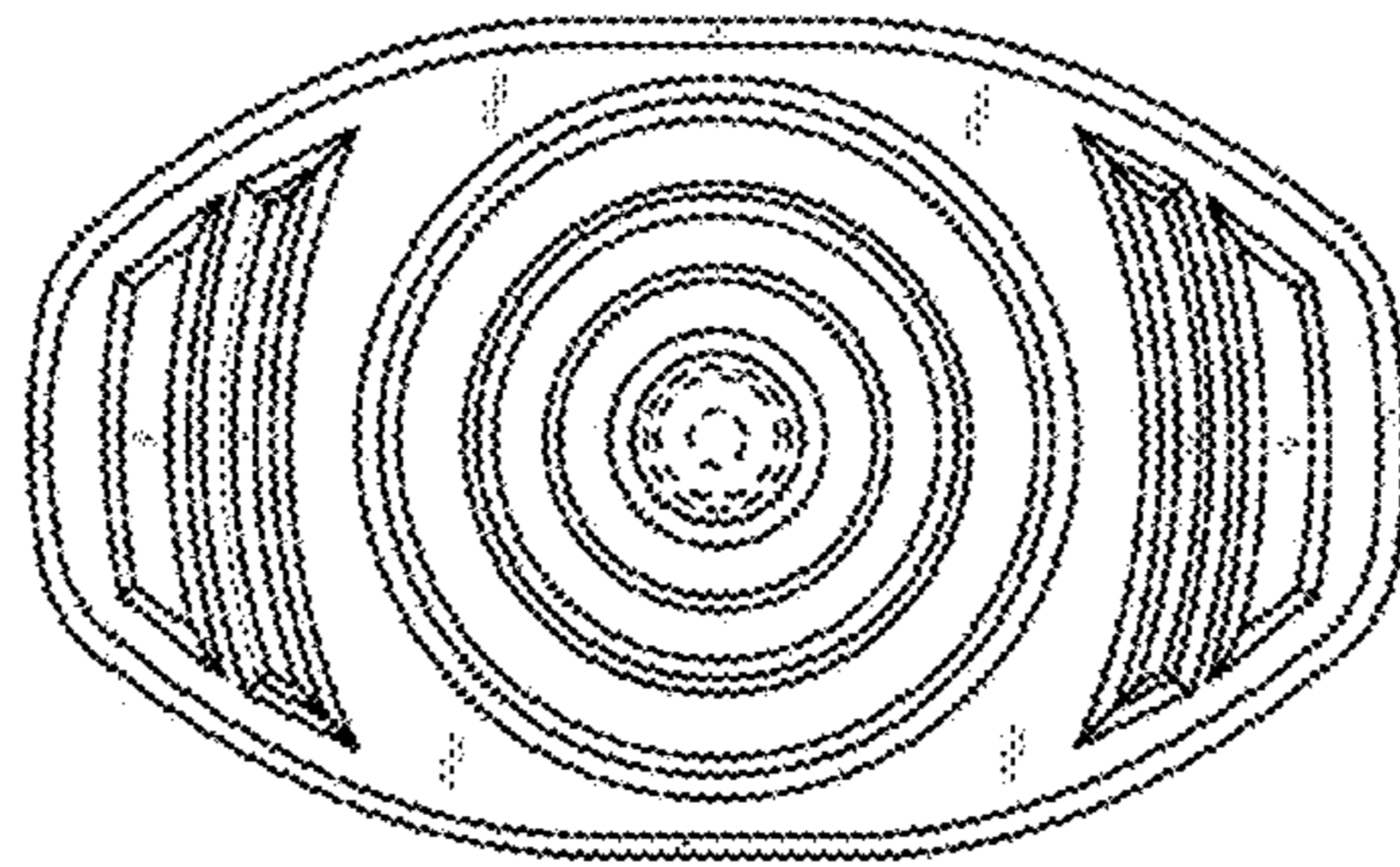


FIG. 7