



US00D890916S

(12) **United States Design Patent**
Castiglione et al.

(10) **Patent No.:** **US D890,916 S**

(45) **Date of Patent:** **** Jul. 21, 2020**

(54) **FULL FACE RESPIRATOR FRONT COVER**

(71) Applicant: **3M INNOVATIVE PROPERTIES COMPANY**, St. Paul, MN (US)

(72) Inventors: **David M. Castiglione**, Hudson, WI (US); **Jacob P. Vanderheyden**, Saint Paul, MN (US); **Thomas R. Braxton, II**, Tampa, FL (US)

(73) Assignee: **3M Innovative Properties Company**, St. Paul, MN (US)

(**) Term: **15 Years**

(21) Appl. No.: **29/690,292**

(22) Filed: **May 7, 2019**

(51) **LOC (12) Cl.** **29-02**

(52) **U.S. Cl.**
USPC **D24/110.1; D24/110.2; D29/110**

(58) **Field of Classification Search**
USPC D24/110.1–110.4, 127, 162, 164, 110;
D29/102, 107, 108, 110, 129
CPC A62B 18/006; A62B 7/10; A62B 18/045;
A62B 18/08; A62B 18/04; A62B 18/02;
A62B 18/00; A62B 23/025; A62B
18/025; A62B 23/02; A62B 17/04; A62B
18/082; A42B 3/288; A42B 3/225; A42B
3/286; A61M 16/06; A61M 16/0622
See application file for complete search history.

(56) **References Cited**

U.S. PATENT DOCUMENTS

4,653,124	A *	3/1987	McNeal	A61F 9/029 128/206.21
4,921,512	A *	5/1990	Maryyanek	A62B 23/02 55/486
D518,571	S *	4/2006	Martin	D24/110.1
8,443,806	B2	5/2013	Morelli		
D744,088	S *	11/2015	Blomberg	D24/110.1

D754,844	S *	4/2016	Blomberg	D24/110.1
D795,416	S *	8/2017	Blomberg	D24/110.1
10,576,313	B2 *	3/2020	Shigematsu	A62B 18/08
2005/0211251	A1 *	9/2005	Henderson	A62B 18/025 128/206.27
2007/0235032	A1 *	10/2007	Betz	A62B 18/02 128/206.24
2013/0298512	A1	11/2013	Symons		
2014/0216475	A1 *	8/2014	Blomberg	A62B 19/00 128/863
2015/0136141	A1 *	5/2015	Mittelstadt	A62B 18/02 128/206.15

(Continued)

FOREIGN PATENT DOCUMENTS

EM	007187182-0001	*	11/2019
JP	2016-54828		4/2016
WO	2015/179156		11/2015

Primary Examiner — Lilyana Bekic

(74) *Attorney, Agent, or Firm* — Johannes P. M. Kusters

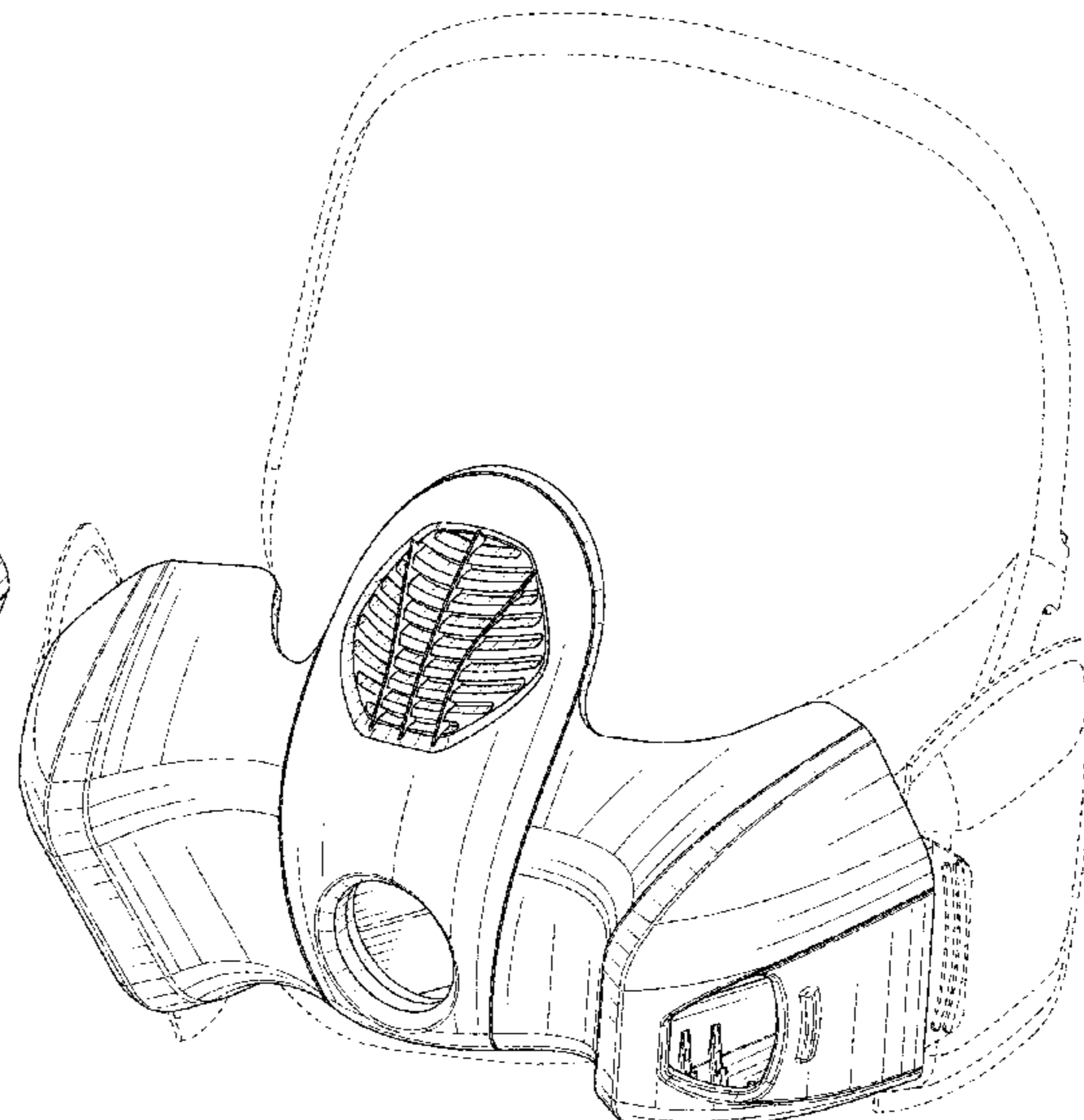
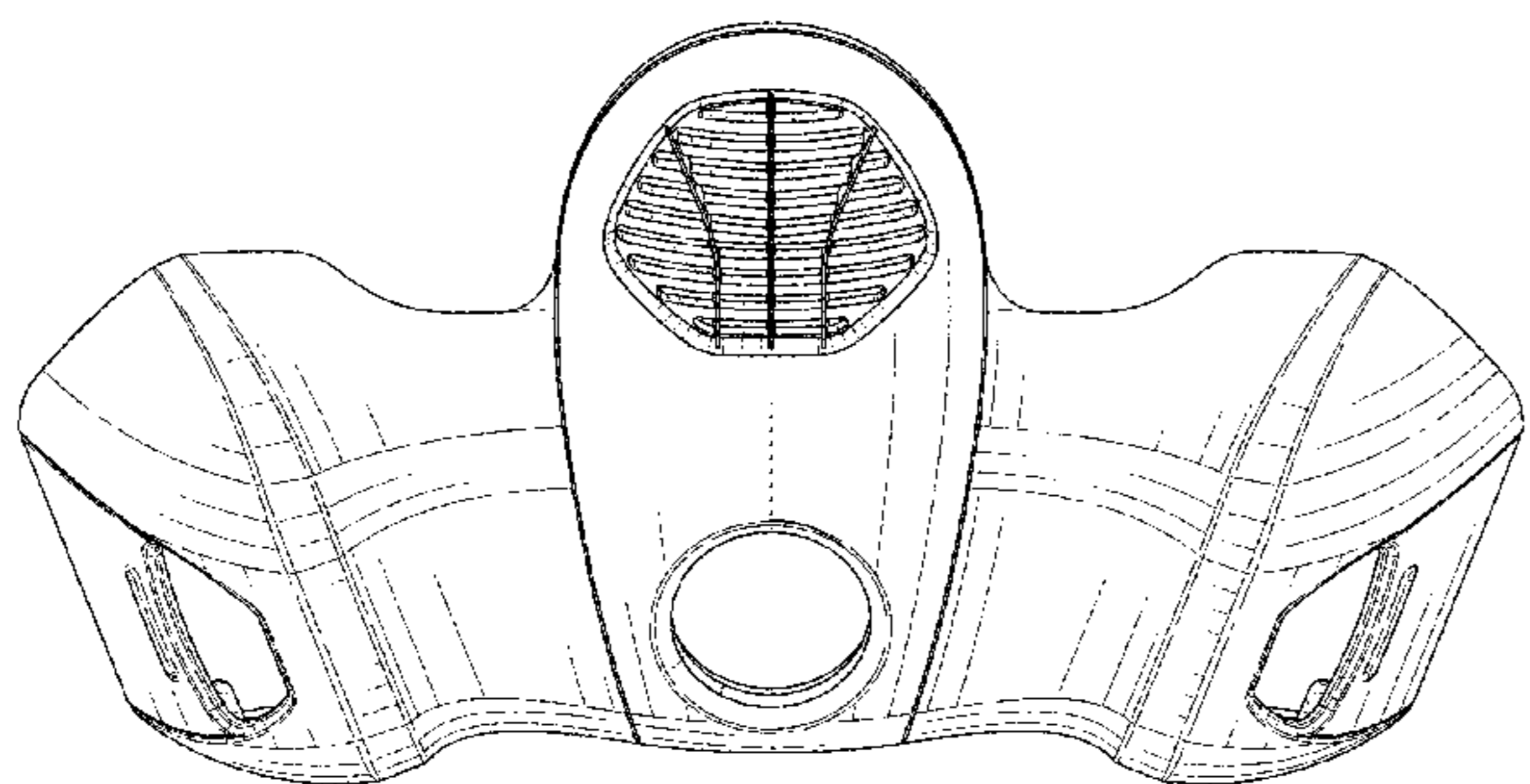
(57) **CLAIM**

The ornamental design for a full face respirator front cover, as shown and described.

DESCRIPTION

FIG. 1 is a perspective view showing the new design for a full face respirator front cover;
FIG. 2 is a front view thereof;
FIG. 3 is a rear view thereof;
FIG. 4 is a left side view thereof;
FIG. 5 is a right side view thereof;
FIG. 6 is a top view thereof;
FIG. 7 is a bottom view thereof; and,
FIG. 8 is a perspective view showing the new design for a full face respirator front cover mounted on a respirator. The broken line showing of the respirator in FIG. 8 depicts environmental structure and forms no part of the claimed design.

1 Claim, 5 Drawing Sheets



(56)

References Cited

U.S. PATENT DOCUMENTS

2015/0136142 A1* 5/2015 Blomberg A62B 18/025
128/206.17
2017/0072232 A1* 3/2017 Blomberg A41D 13/11
2018/0043191 A1* 2/2018 Huberty A62B 23/02
2019/0083823 A1* 3/2019 Castiglione A62B 27/00
2020/0054901 A1* 2/2020 Kudav A62B 9/04

* cited by examiner

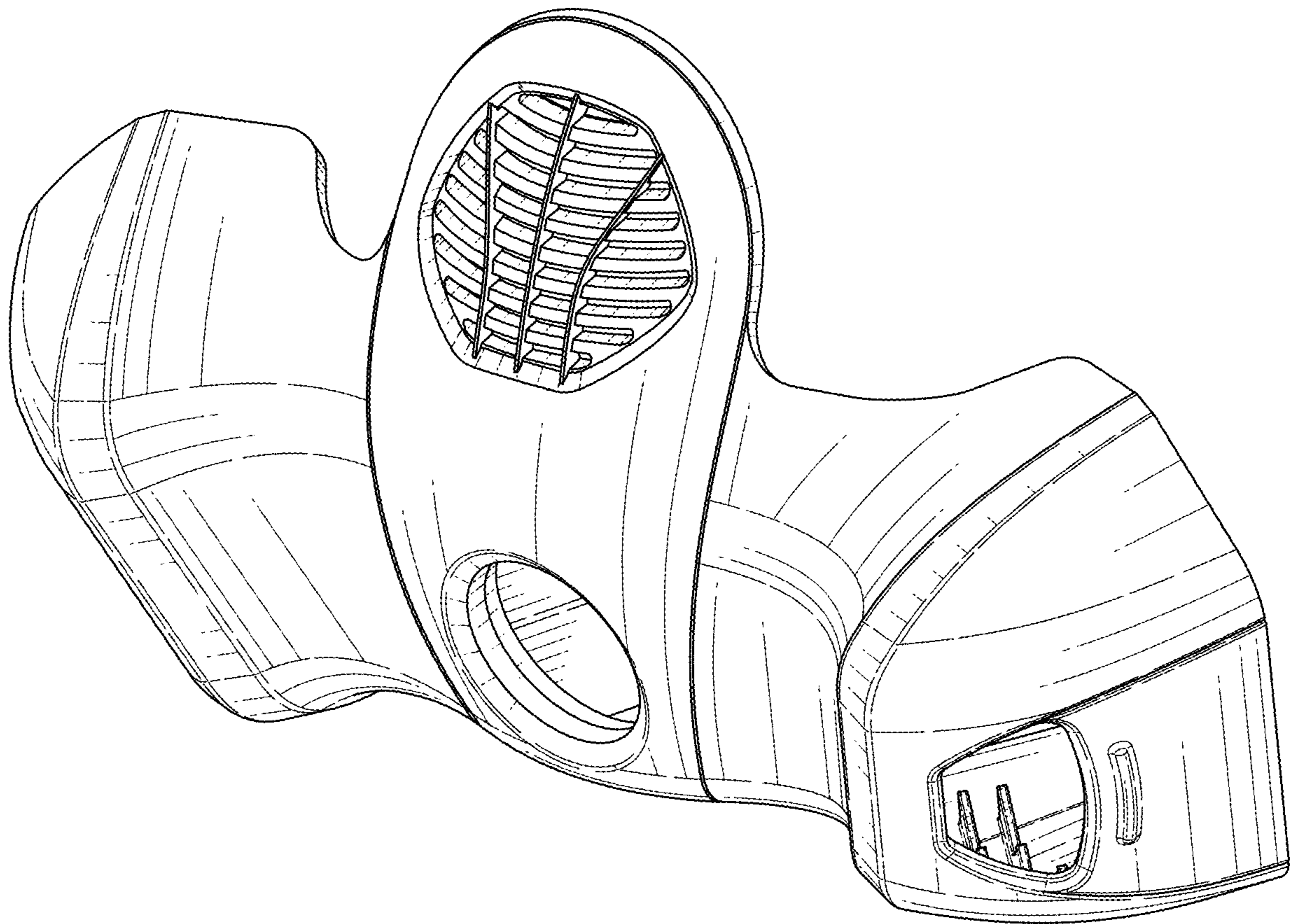


FIG. 1

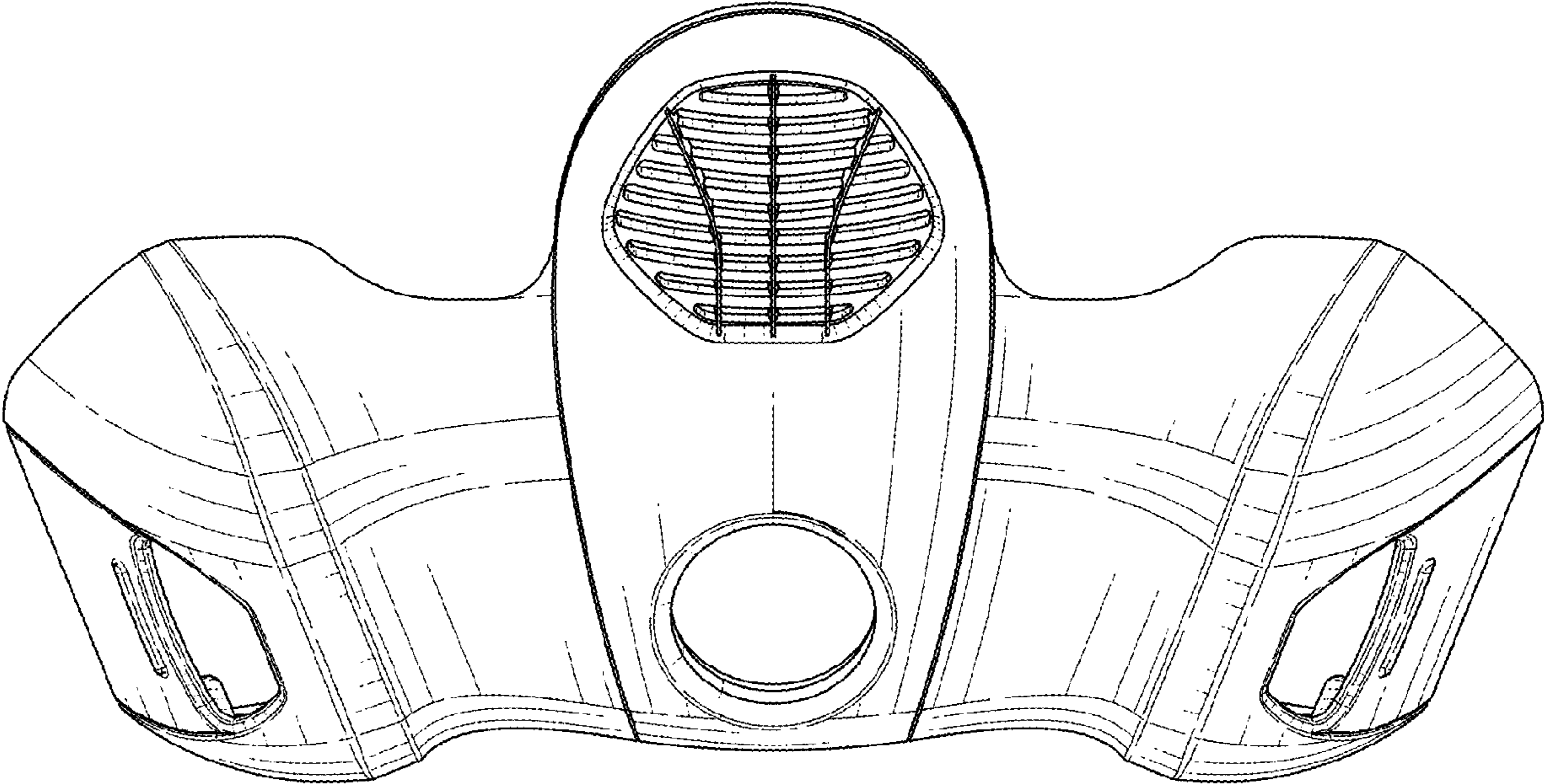


FIG. 2

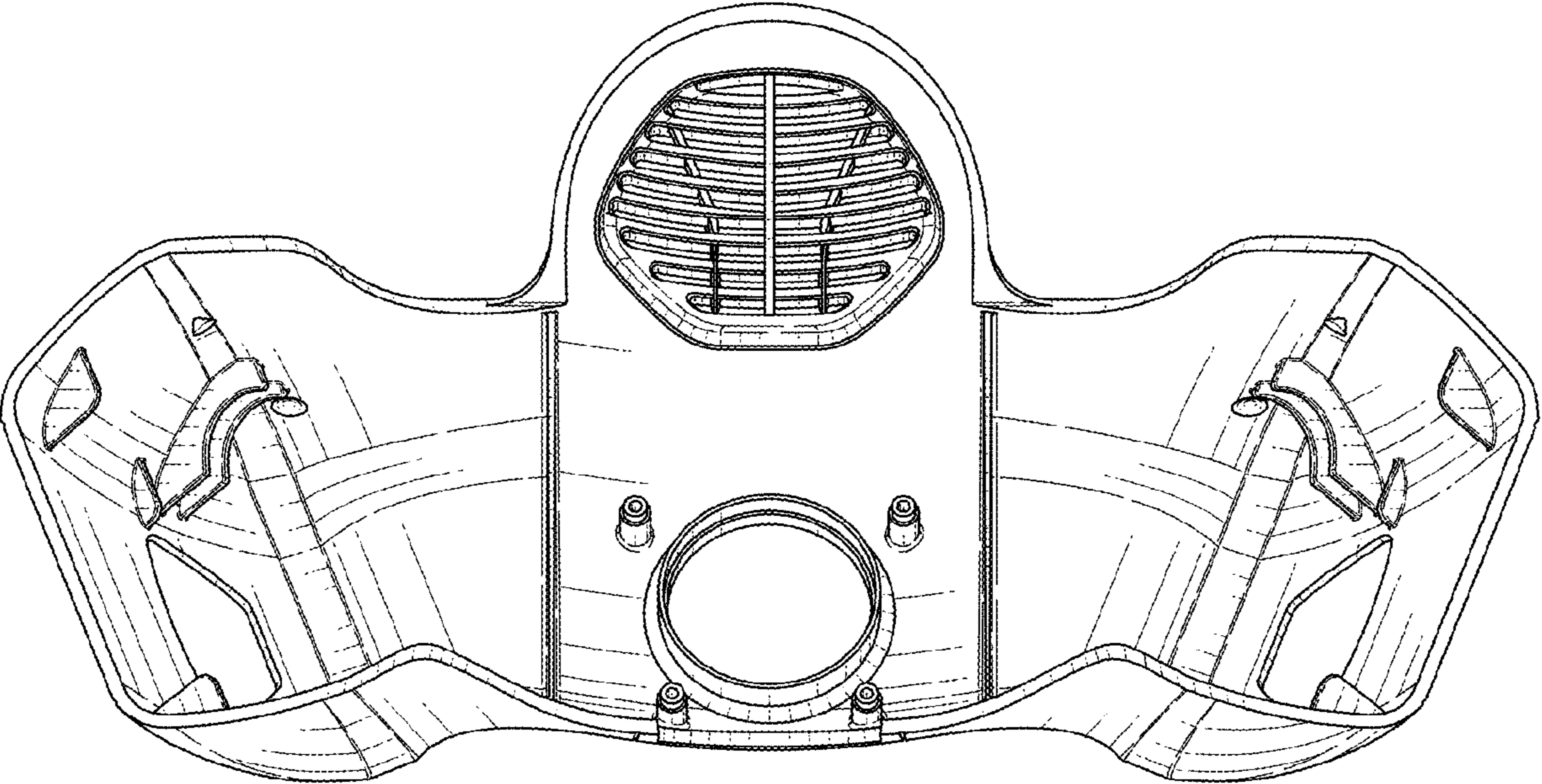


FIG. 3

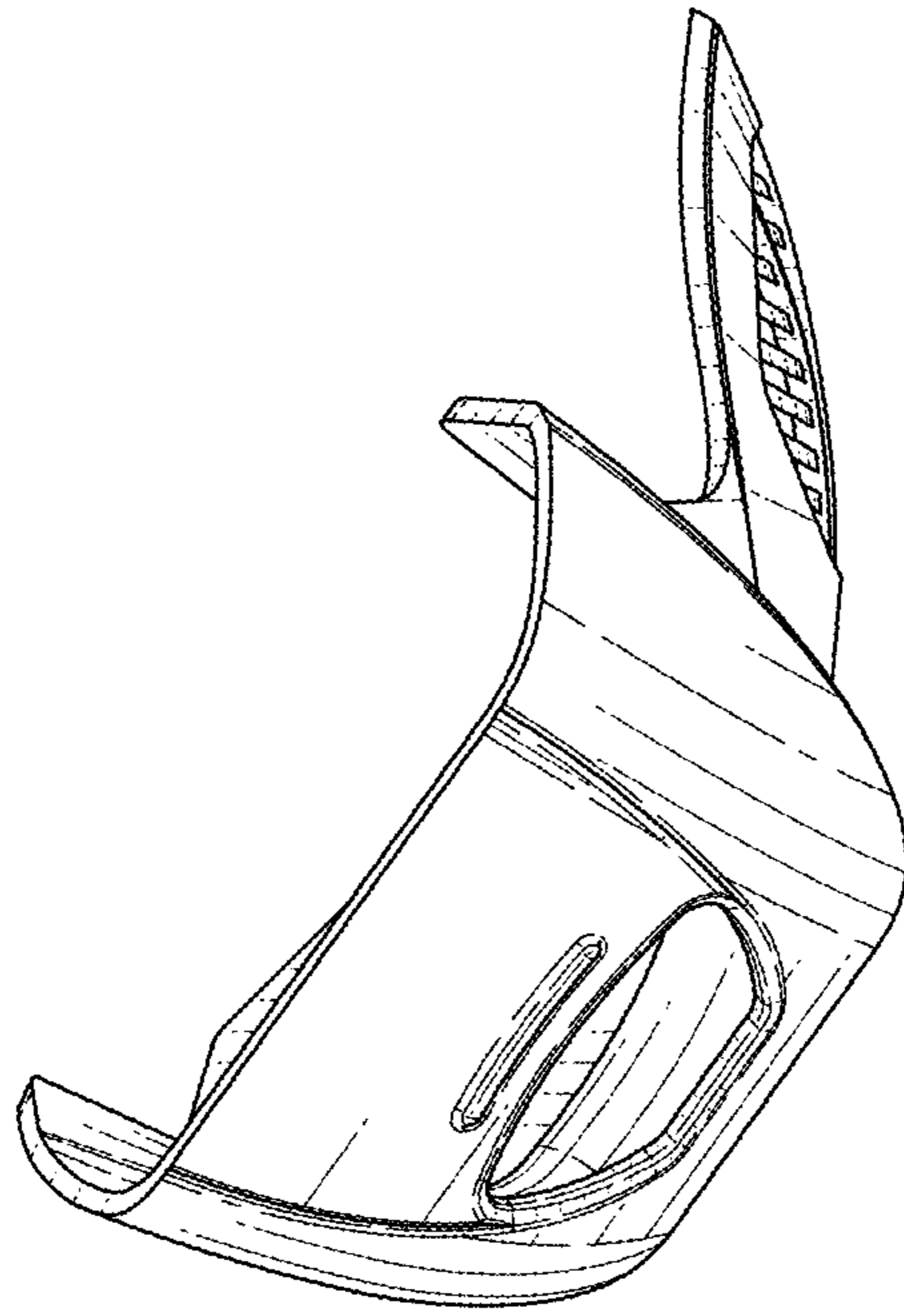


FIG. 4

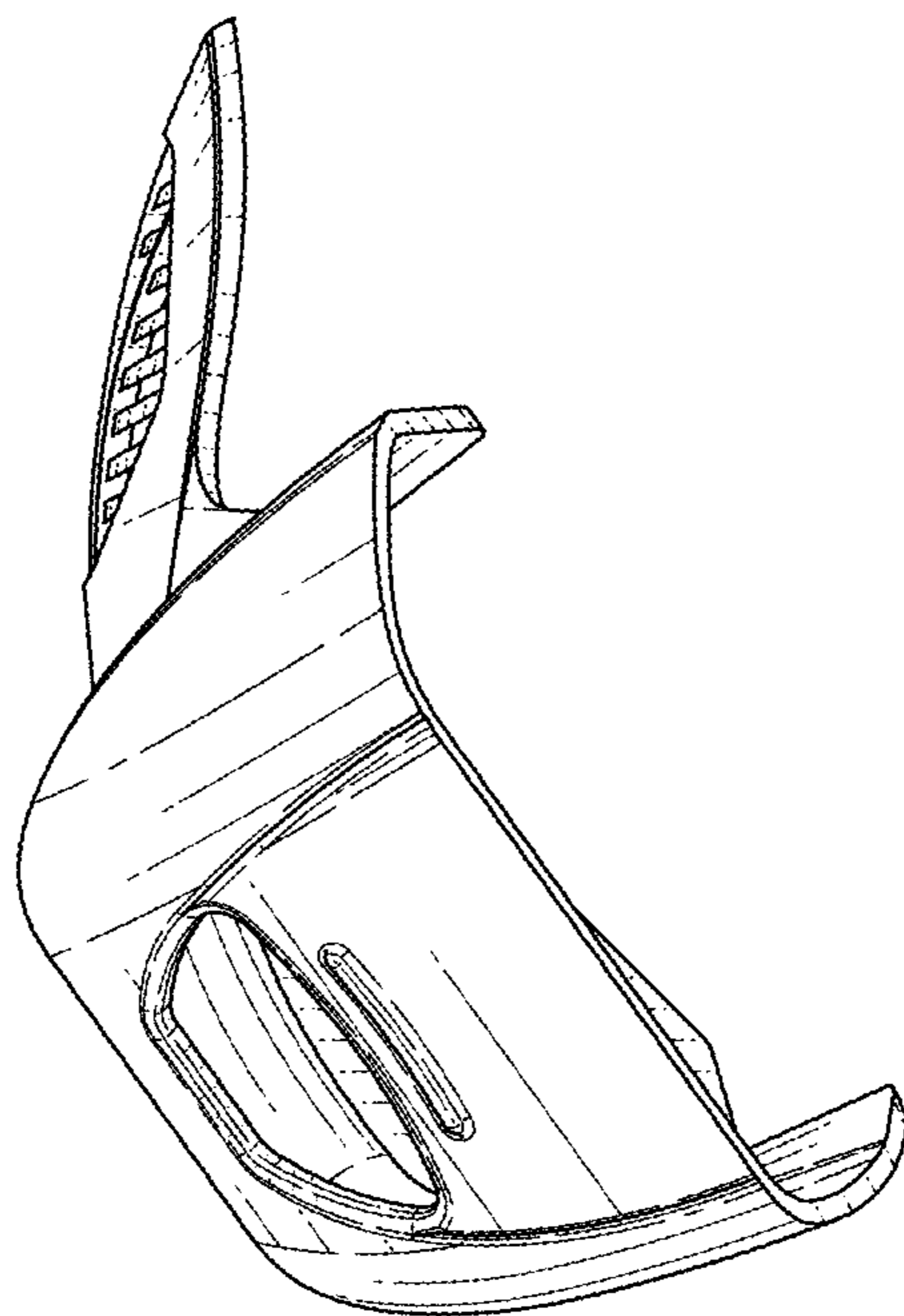


FIG. 5

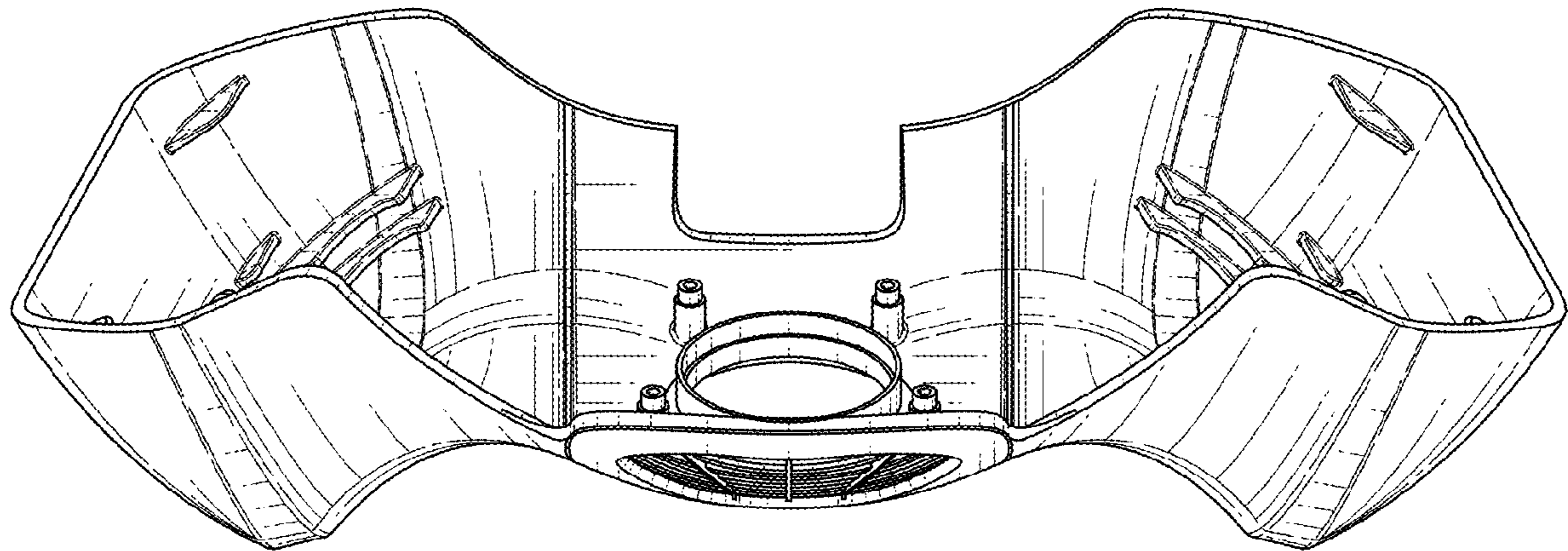


FIG. 6

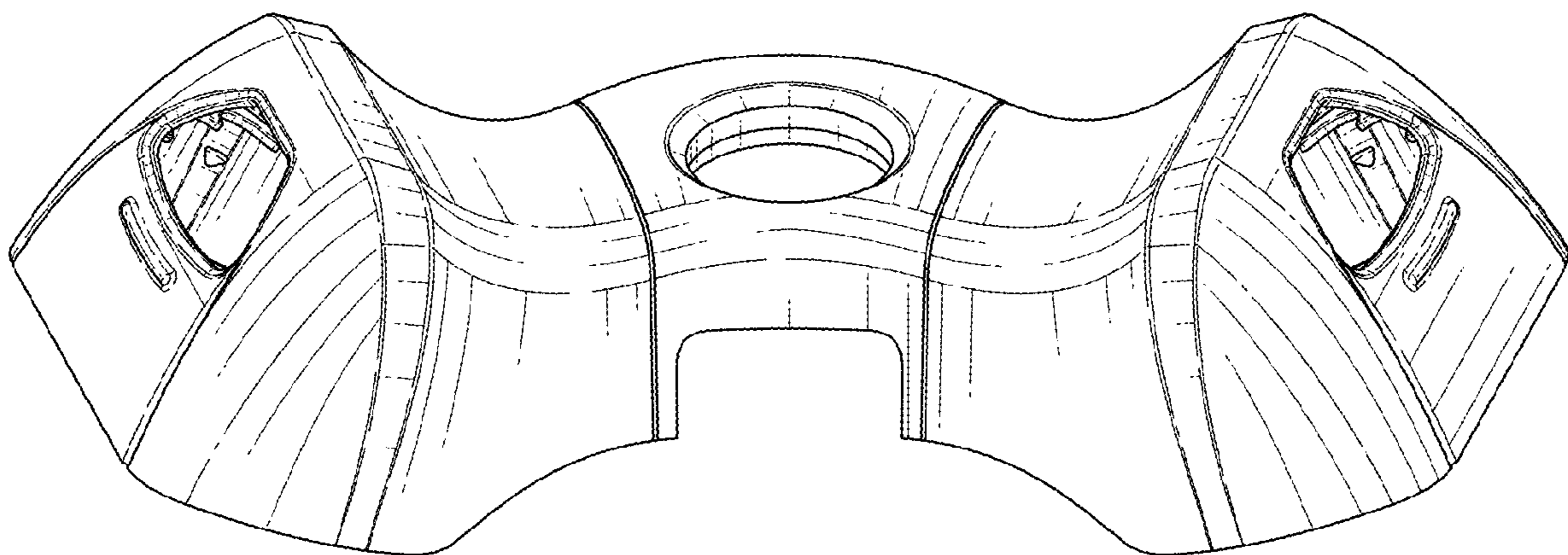


FIG. 7

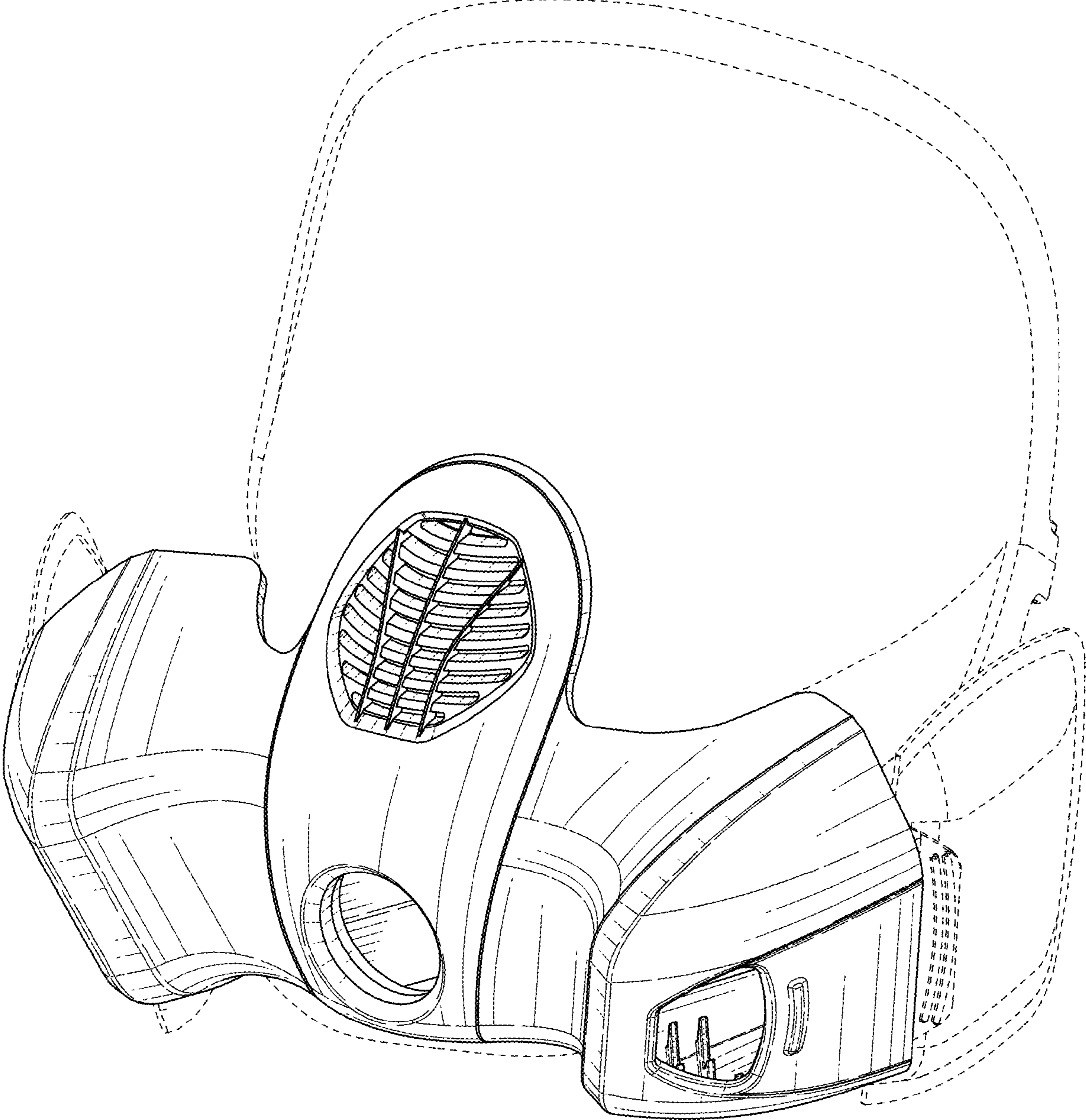


FIG. 8