

US00D890915S

(12) **United States Design Patent** (10) **Patent No.:** **US D890,915 S**
Wang et al. (45) **Date of Patent:** **** Jul. 21, 2020**

(54) **INTRANASAL DRUG DELIVERY DEVICE**

(71) Applicant: **Janssen Pharmaceutica NV**, Beerse (BE)

(72) Inventors: **Jingli Wang**, San Jose, CA (US); **Michael Cannamela**, Atlantic Highlands, NJ (US); **Hong Yan**, Pleasanton, CA (US); **Rochelle Kleinberg**, New York, NY (US)

(73) Assignee: **Janssen Pharmaceutica NV**, Beerse (BE)

(**) Term: **15 Years**

(21) Appl. No.: **29/703,223**

(22) Filed: **Aug. 26, 2019**

Related U.S. Application Data

(63) Continuation of application No. 29/617,294, filed on Sep. 13, 2017, now Pat. No. Des. 860,435.

(51) **LOC (12) Cl.** **29-02**

(52) **U.S. Cl.**
USPC **D24/110; D24/114**

(58) **Field of Classification Search**
USPC D24/108, 110, 112–114, 127, 130
CPC . A61M 15/08; A61M 2210/0618; A61F 5/08;
A61B 2018/00327

See application file for complete search history.

(56) **References Cited**

U.S. PATENT DOCUMENTS

- D308,100 S 5/1990 Bishop
- D401,323 S 11/1998 Ritsche
- D433,123 S 10/2000 Sheppard
- D433,124 S 10/2000 Sheppard
- D448,474 S 9/2001 Jansen
- D448,475 S * 9/2001 Jansen D24/110

- D448,844 S 10/2001 Reis
- D450,834 S * 11/2001 Newby D24/112
- D463,546 S * 9/2002 Jansen D24/110
- D471,973 S 3/2003 Gillissen
- D492,405 S * 6/2004 Bainton D19/167
- D556,320 S * 11/2007 Boclet D24/114
- D556,903 S * 12/2007 Bloc D24/114
- D567,938 S * 4/2008 Shinohara D24/114
- D581,044 S 11/2008 Sudo
- D581,045 S 11/2008 Sudo
- D610,253 S 2/2010 Kawamura
- D624,641 S 9/2010 Boclet
- D697,201 S 1/2014 Coghill

(Continued)

FOREIGN PATENT DOCUMENTS

- CN 304963660 * 12/2018
- EM 004753762-0001 * 6/2018

(Continued)

Primary Examiner — Lilyana Bekic

(74) *Attorney, Agent, or Firm* — Steven J. Schwarz

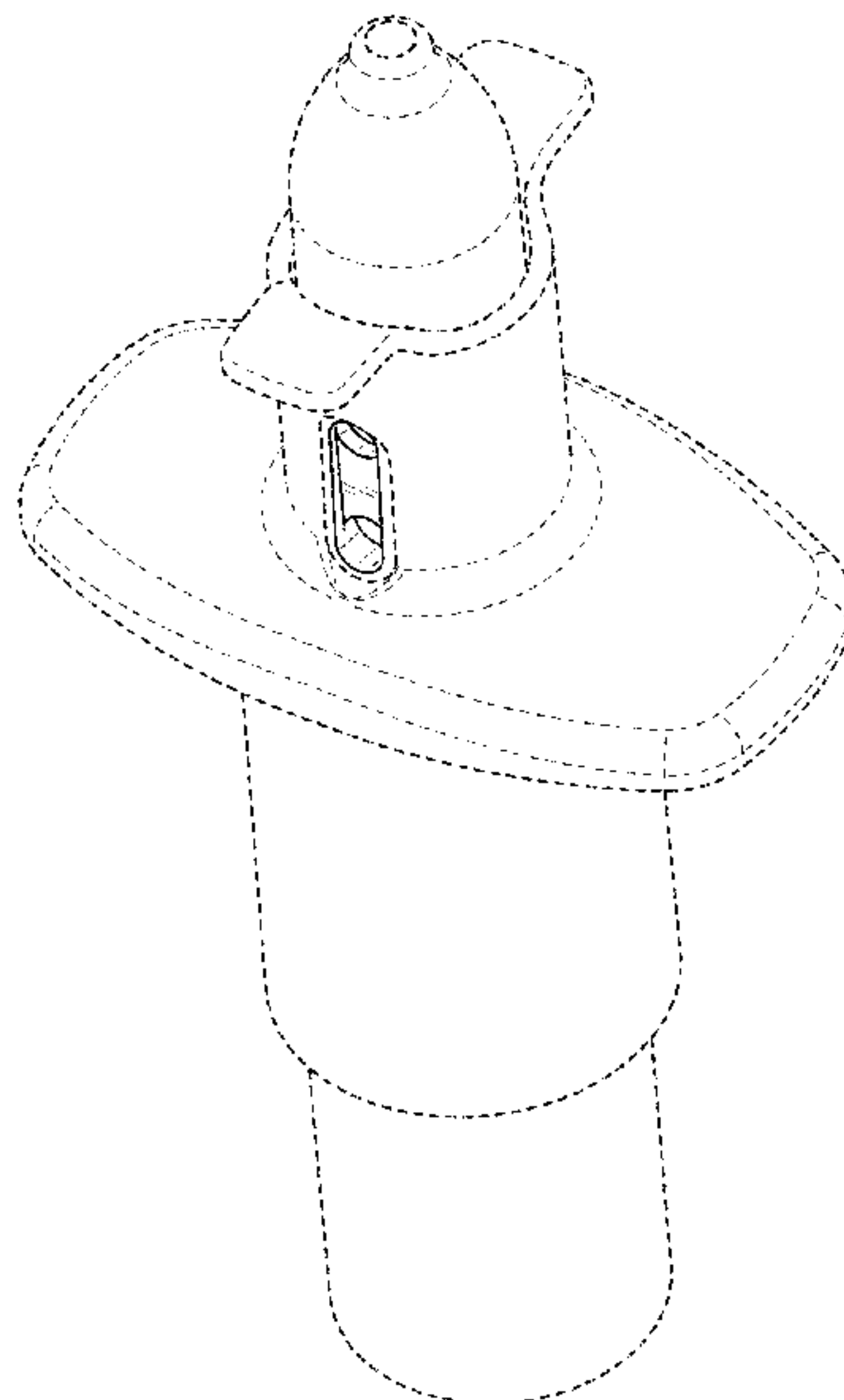
(57) **CLAIM**

The ornamental design for an intranasal drug delivery device, as shown and described.

DESCRIPTION

FIG. 1 is a top perspective view of an intranasal drug delivery device, showing our new design.
 FIG. 2 is a front elevational view thereof.
 FIG. 3 is a rear elevational view thereof.
 FIG. 4 is a right side elevational view thereof.
 FIG. 5 is a left side elevational view thereof.
 FIG. 6 is a top planfront elevation view thereof.
 FIG. 7 is a bottom plan view thereof; and,
 FIG. 8 is a bottom perspective view thereof.
 The features shown in broken lines represent portions of the intranasal drug delivery device which form no part of the claimed design.

1 Claim, 7 Drawing Sheets



(56)

References Cited

U.S. PATENT DOCUMENTS

D699,342	S	2/2014	Suzuki	
9,155,841	B2 *	10/2015	Saiki	A61M 5/31511
D780,909	S *	3/2017	Burkett	D24/113
9,821,127	B2	11/2017	Barber	
D828,543	S	9/2018	Khan	
D830,541	S	10/2018	Walker	
D830,542	S	10/2018	Walker	
D830,543	S	10/2018	Walker	
D834,706	S *	11/2018	Daniel	A61M 5/2033 D24/113
D842,457	S	3/2019	Partsch	
D851,240	S	6/2019	Baid	
D860,435	S *	9/2019	Wang	D24/110
2010/0095957	A1	4/2010	Corbacho	
2013/0056557	A1	3/2013	Felder	
2014/0263456	A1	9/2014	Barber	
2014/0263457	A1	9/2014	Barber	
2017/0281877	A1 *	10/2017	Marlin	A61M 5/3234
2018/0161527	A1	6/2018	Janz	
2018/0344951	A1	12/2018	Shahaf	
2019/0217014	A1 *	7/2019	Davies	A61M 5/20

FOREIGN PATENT DOCUMENTS

GB	6029937	*	3/2018
IN	303440-0001	*	7/2019
JP	D1613224	*	9/2018
KR	300995049.0000	*	2/2019
PE	5212-2018	*	6/2018

* cited by examiner

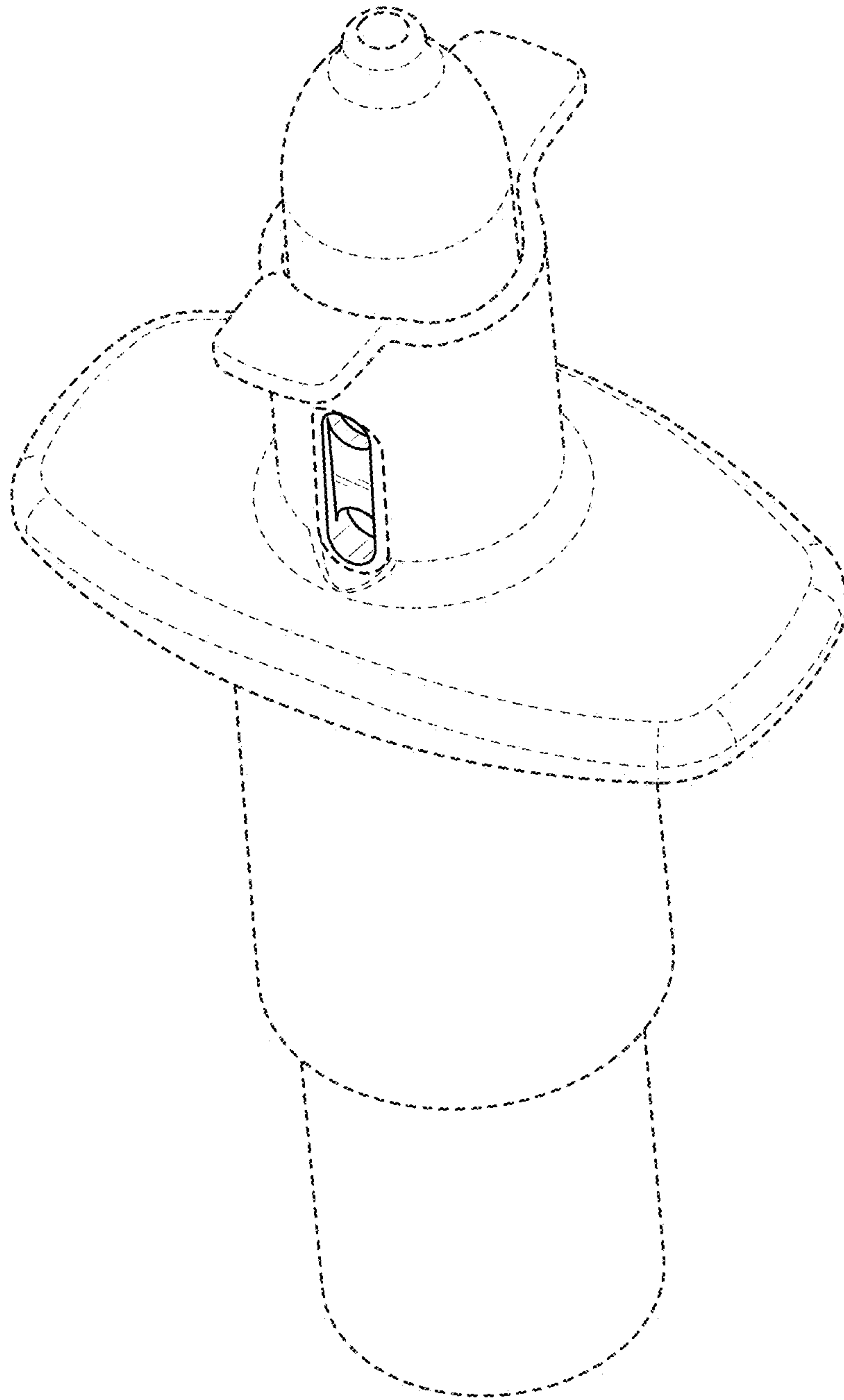


FIG. 1

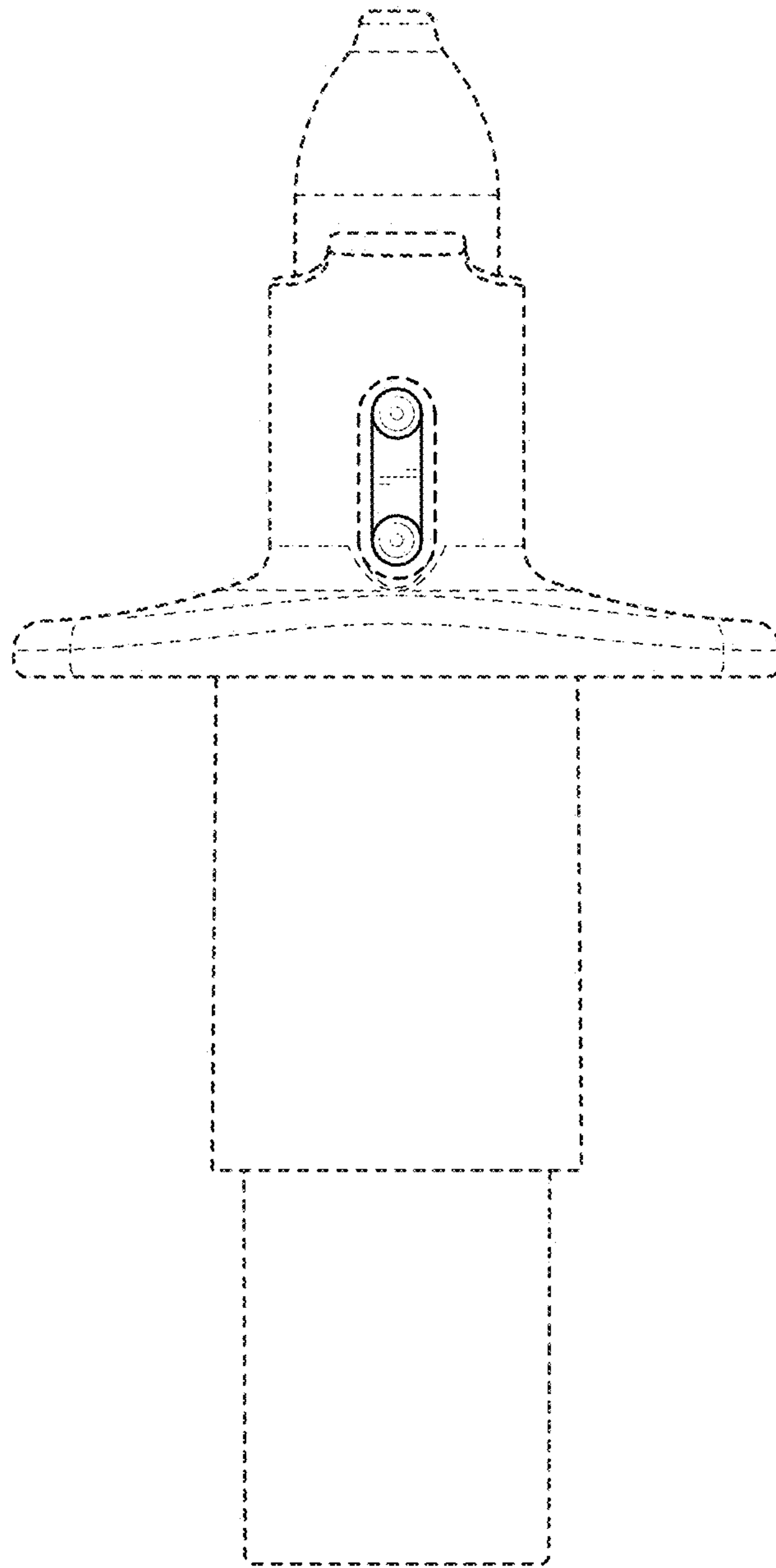


FIG. 2

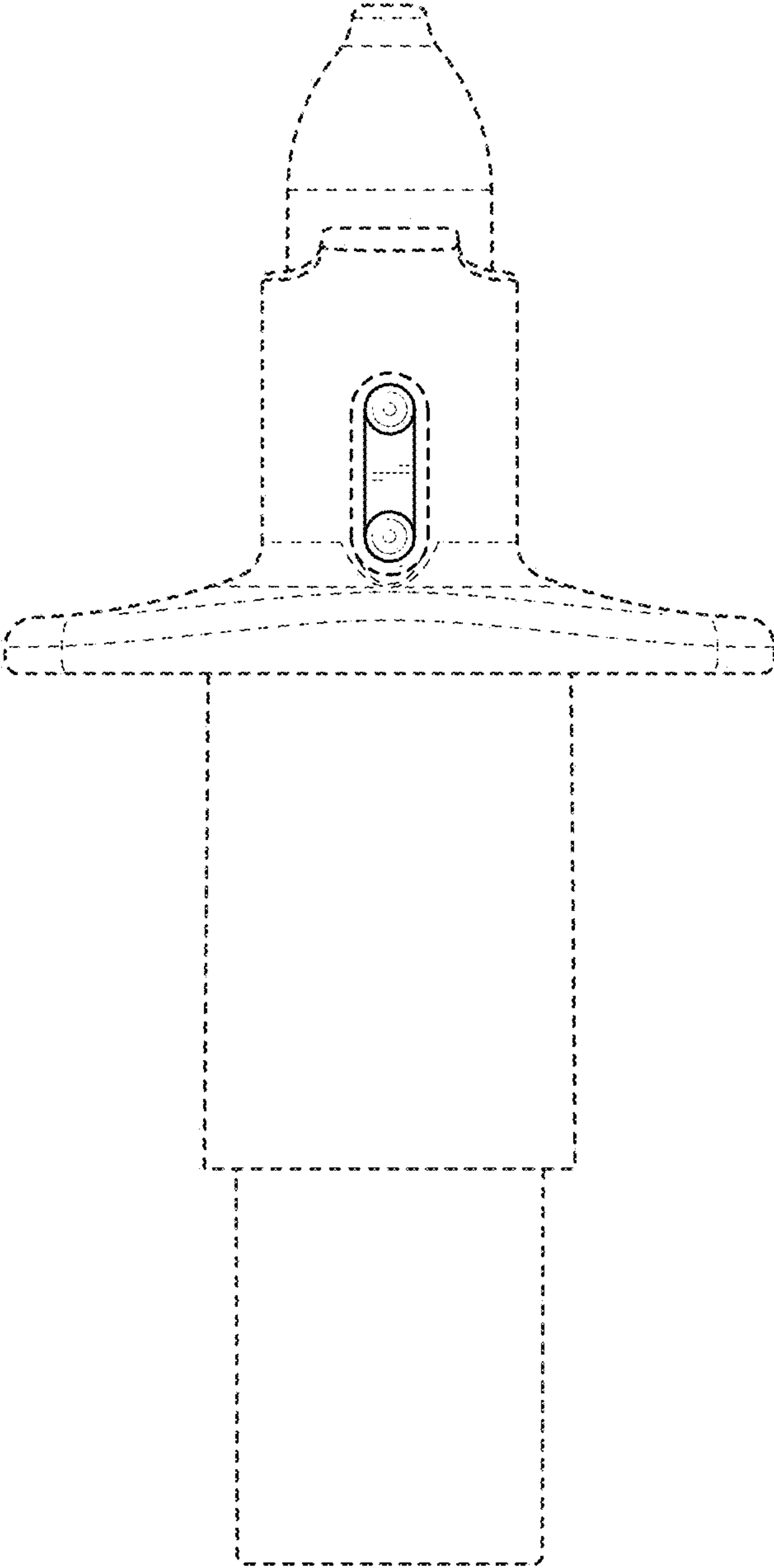


FIG. 3

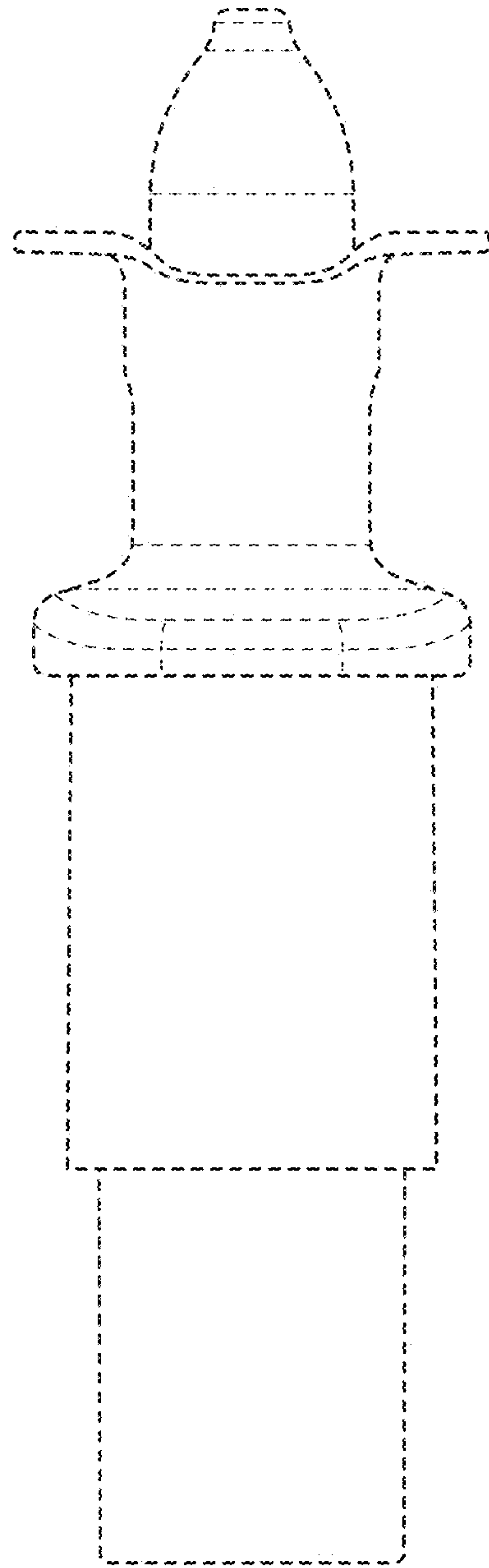


FIG. 4

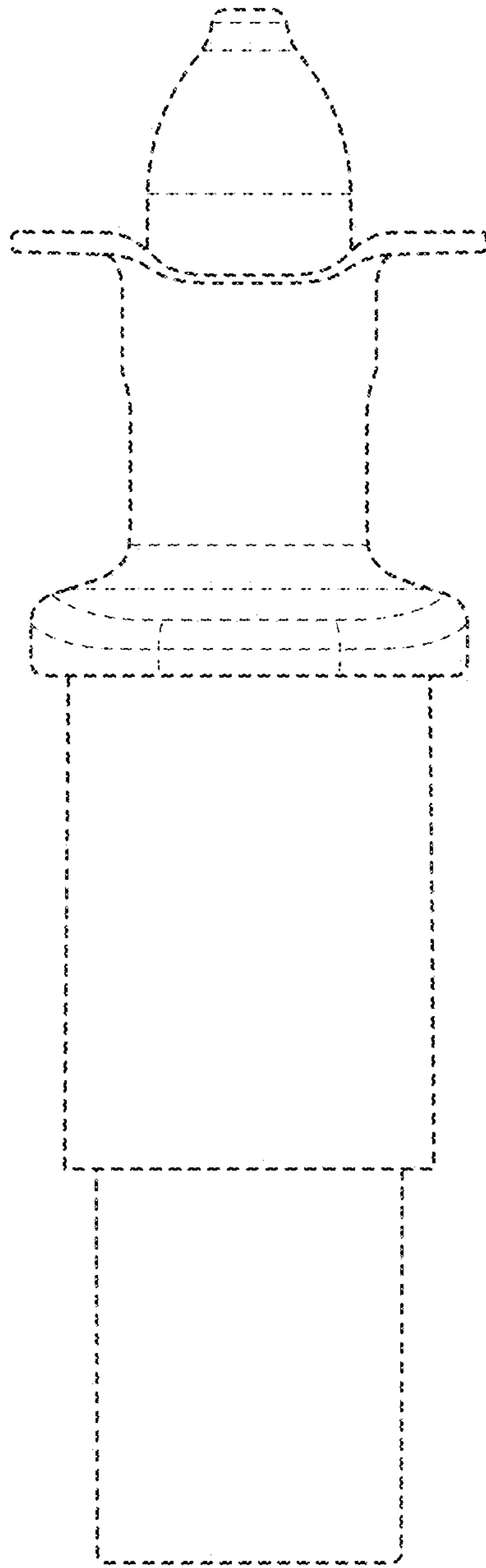


FIG. 5

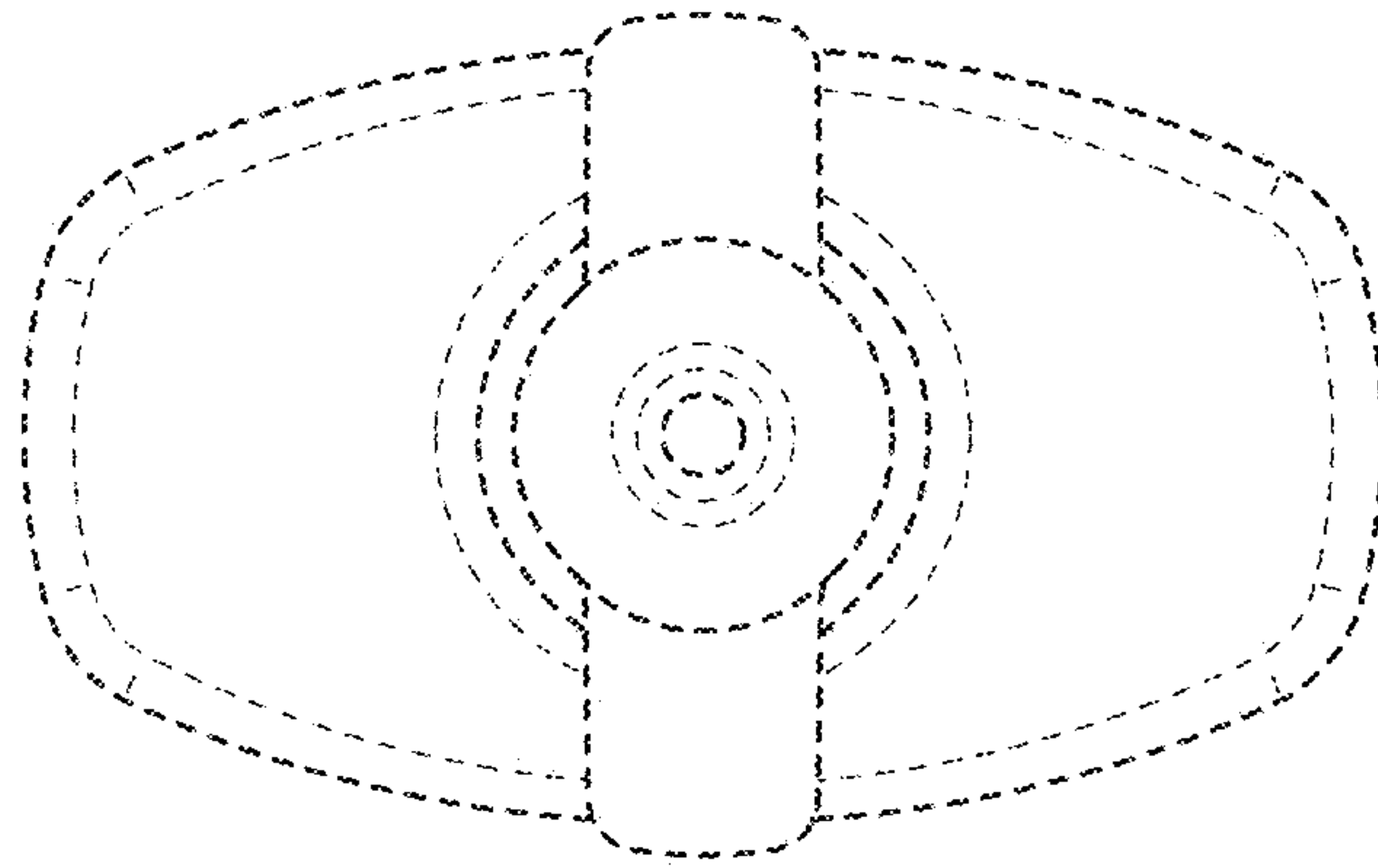


FIG. 6

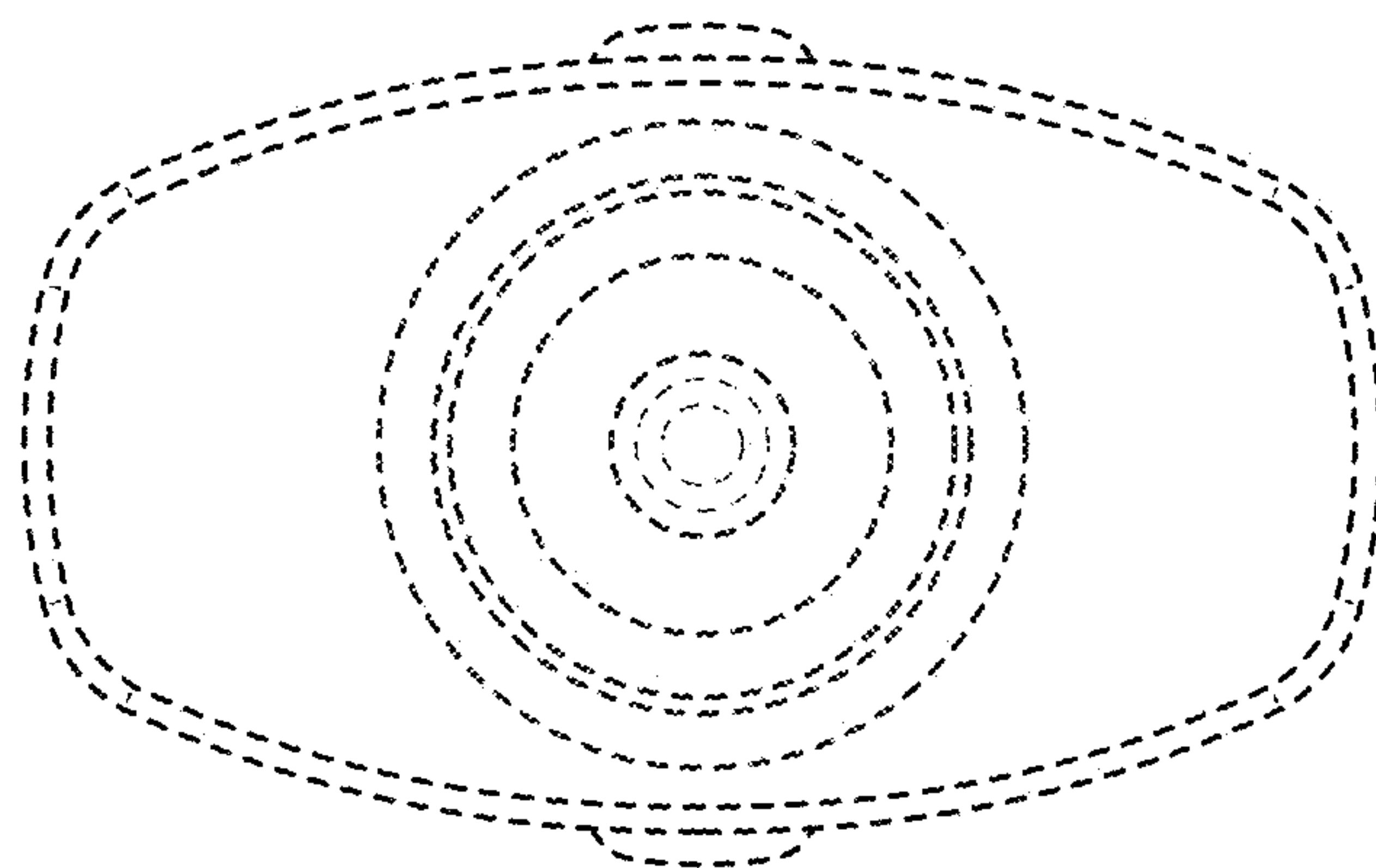


FIG. 7

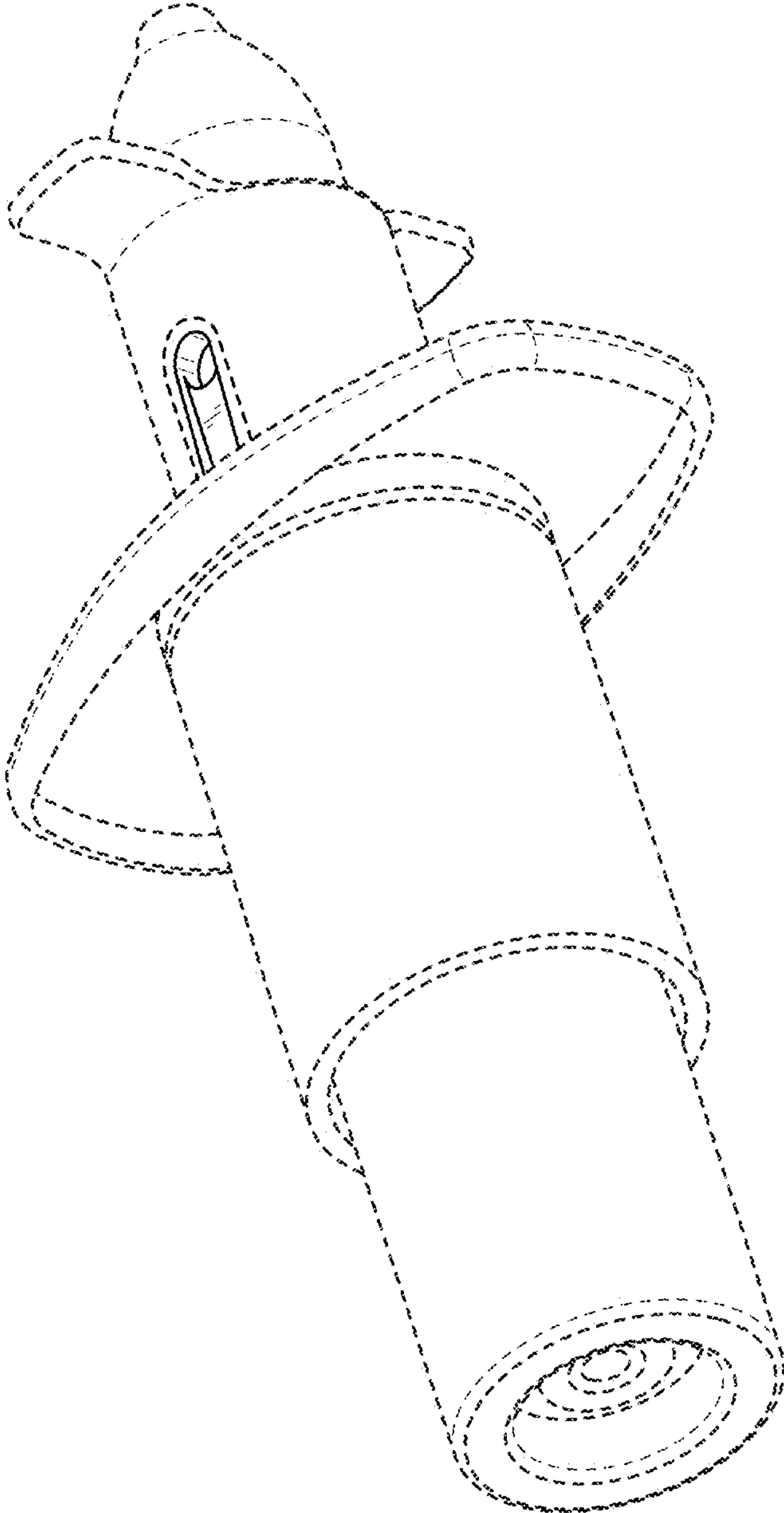


FIG. 8