



US00D890912S

(12) **United States Design Patent**
Ma

(10) **Patent No.:** **US D890,912 S**

(45) **Date of Patent:** **** Jul. 21, 2020**

(54) **FAN**
(71) Applicant: **Shaowei Ma**, Guangdong (CN)
(72) Inventor: **Shaowei Ma**, Guangdong (CN)
(**) Term: **15 Years**

D429,327 S *	8/2000	Brewer	D23/370
D441,444 S *	5/2001	Shapiro	D23/382
D669,976 S *	10/2012	Hsu	D23/382
D675,310 S *	1/2013	Zhu	D23/370
D799,022 S *	10/2017	Ksiazek	D23/411
D818,109 S *	5/2018	Junkel	D23/382
D865,937 S *	11/2019	Lin	D23/382
D884,868 S *	5/2020	Chen	D23/382

(21) Appl. No.: **29/673,509**
(22) Filed: **Dec. 14, 2018**
(51) **LOC (12) Cl.** **23-04**
(52) **U.S. Cl.**
USPC **D23/382**
(58) **Field of Classification Search**
USPC D23/200, 314, 333, 334, 351, 355, 370,
D23/383, 359, 364, 365, 371-373, 376,
D23/381-382, 384-387, 393, 399, 411,
D23/499, 335
CPC F04D 25/08; F04D 25/084; F04D 29/40;
F04D 29/4226; F04D 29/52; F04D 19/00;
F04D 19/002; F04D 29/646
See application file for complete search history.

OTHER PUBLICATIONS

Clip fans. (Design—© Questel) orbit.com. [online PDF] 27 pgs. Print Dates range Jan. 30, 2019 through Apr. 20, 2020. [retrieved Jun. 8, 2020] <https://www.orbit.com/export/QPTUJ214/pdf2/64c0662d-2e80-45f3-8e79-6e9164bb2507-200333.pdf>.*

* cited by examiner

Primary Examiner — Marie D. Fast Horse

(57) **CLAIM**

The ornamental design for a fan, as shown and described.

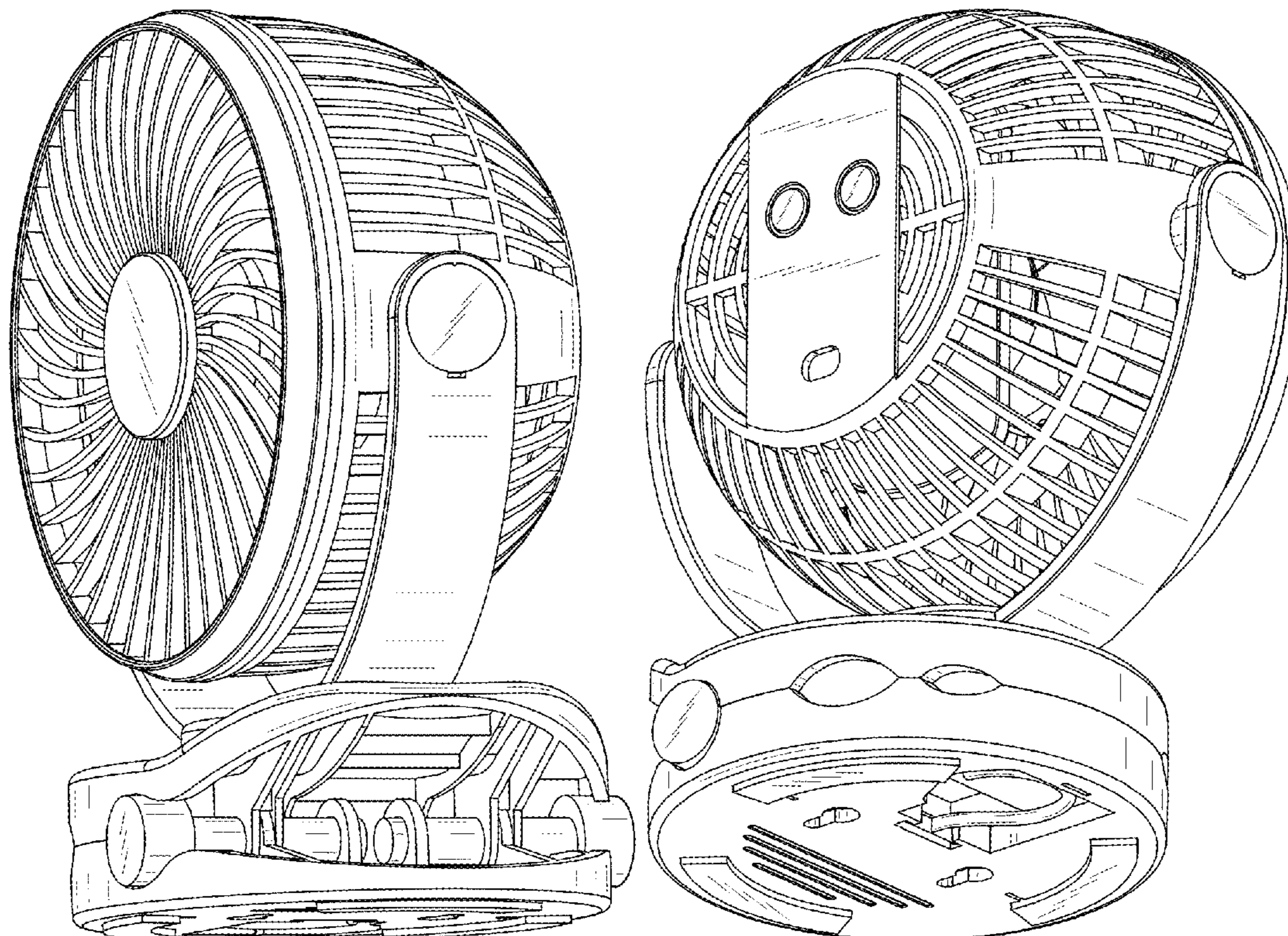
DESCRIPTION

FIG. 1 is a front view of the fan showing our new design; FIG. 2 is a back view thereof; FIG. 3 is a left side view thereof; FIG. 4 is a right side view thereof; FIG. 5 is a top view thereof; FIG. 6 is a bottom view thereof; FIG. 7 is a top perspective view thereof; and, FIG. 8 is a bottom perspective view thereof.

1 Claim, 8 Drawing Sheets

(56) **References Cited**
U.S. PATENT DOCUMENTS

D295,070 S *	4/1988	Shin-Chin	D23/382
4,799,858 A *	1/1989	Shin-Chin	F04D 29/646 248/231.51
5,547,343 A *	8/1996	Jane	F04D 29/601 248/231.51
D416,321 S *	11/1999	Jane	D23/381



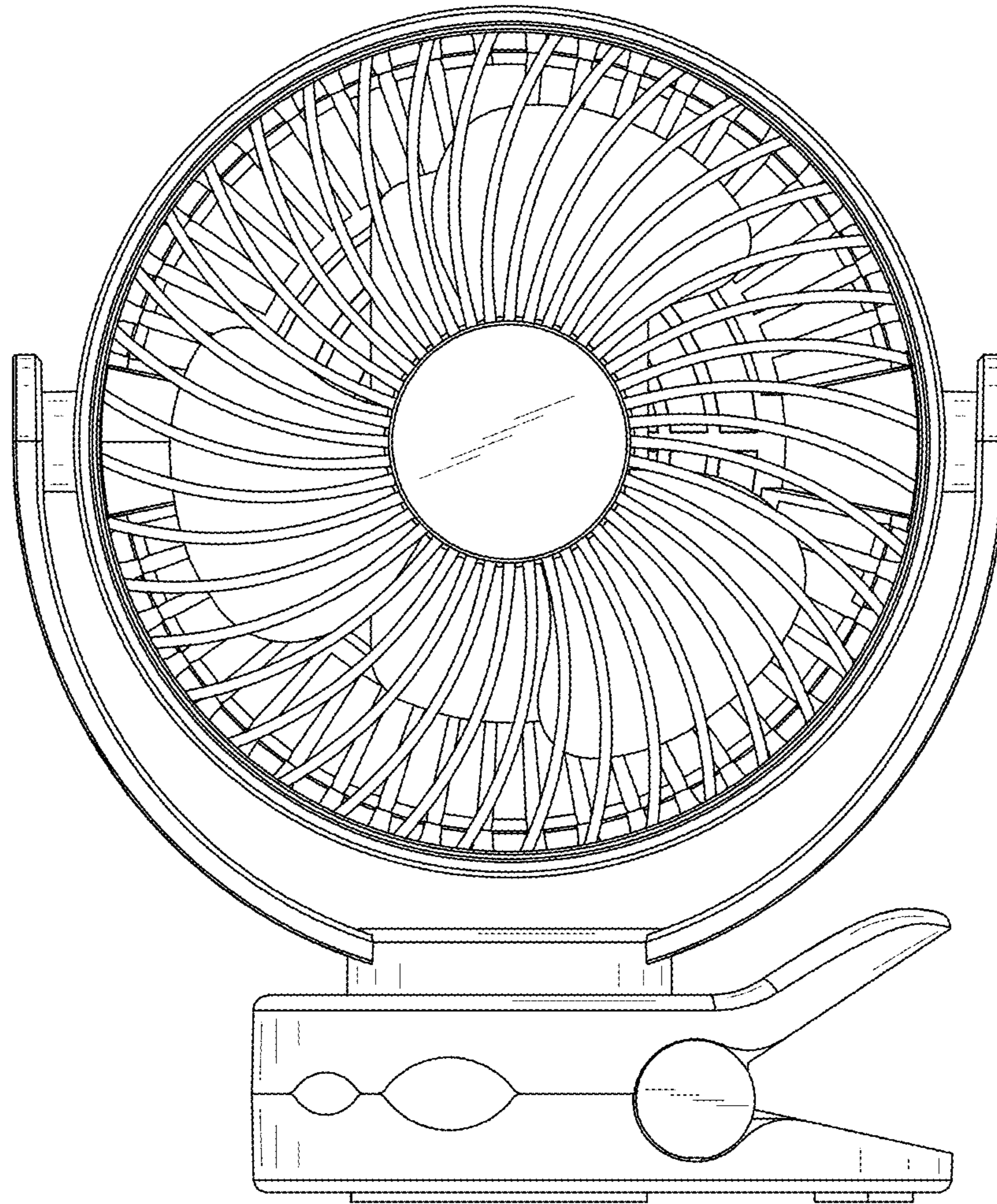


FIG.1

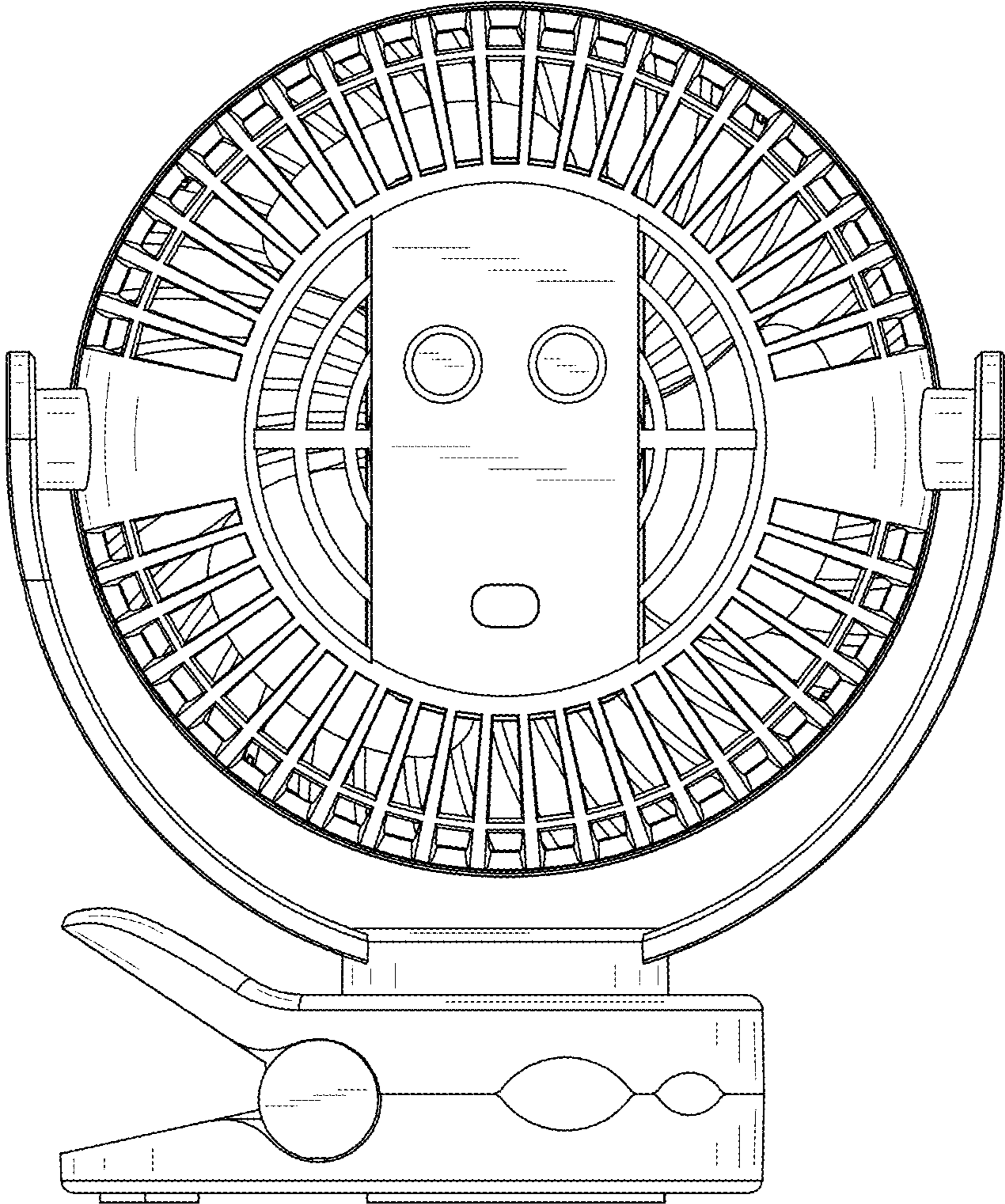


FIG.2

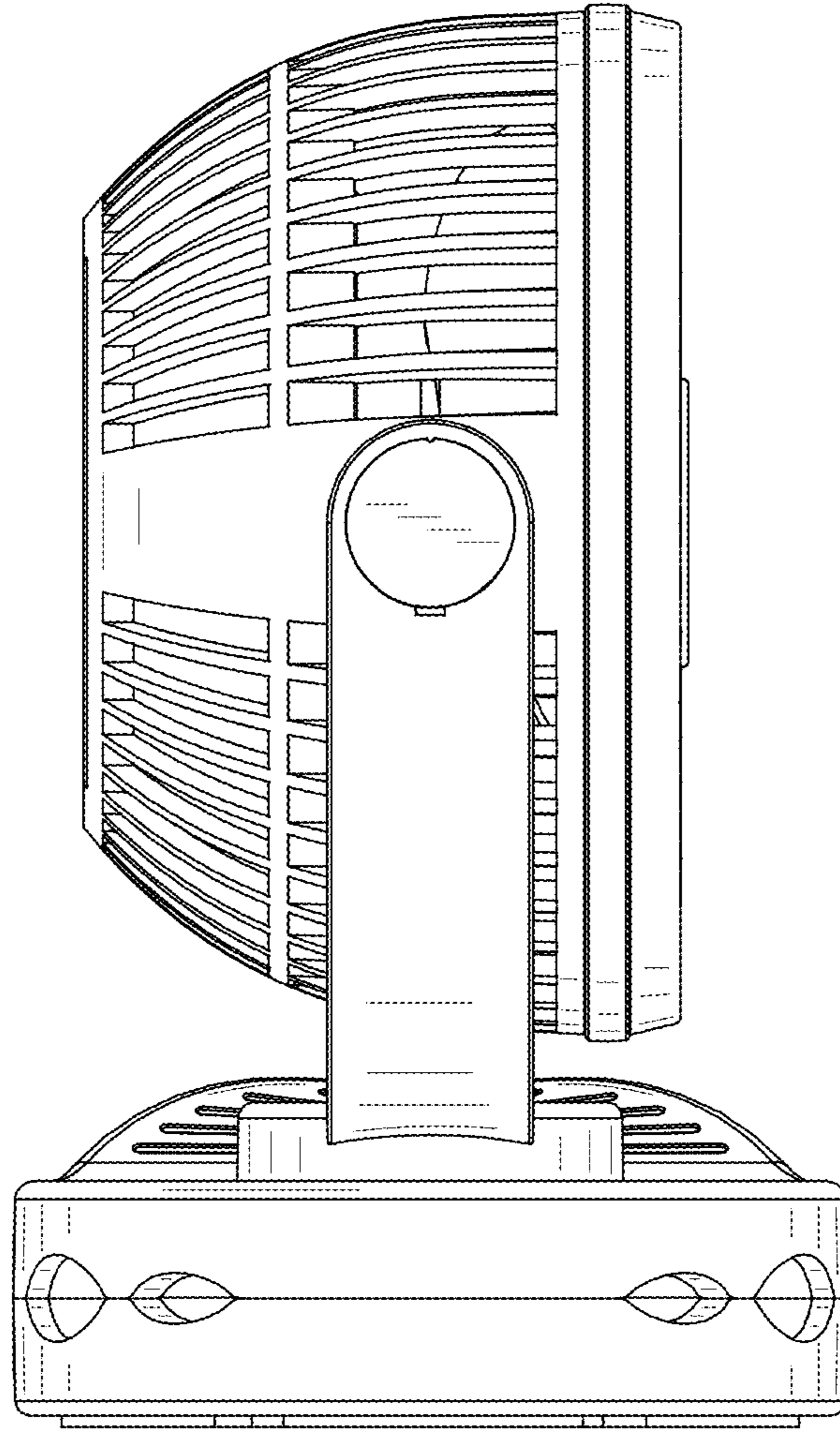


FIG 3

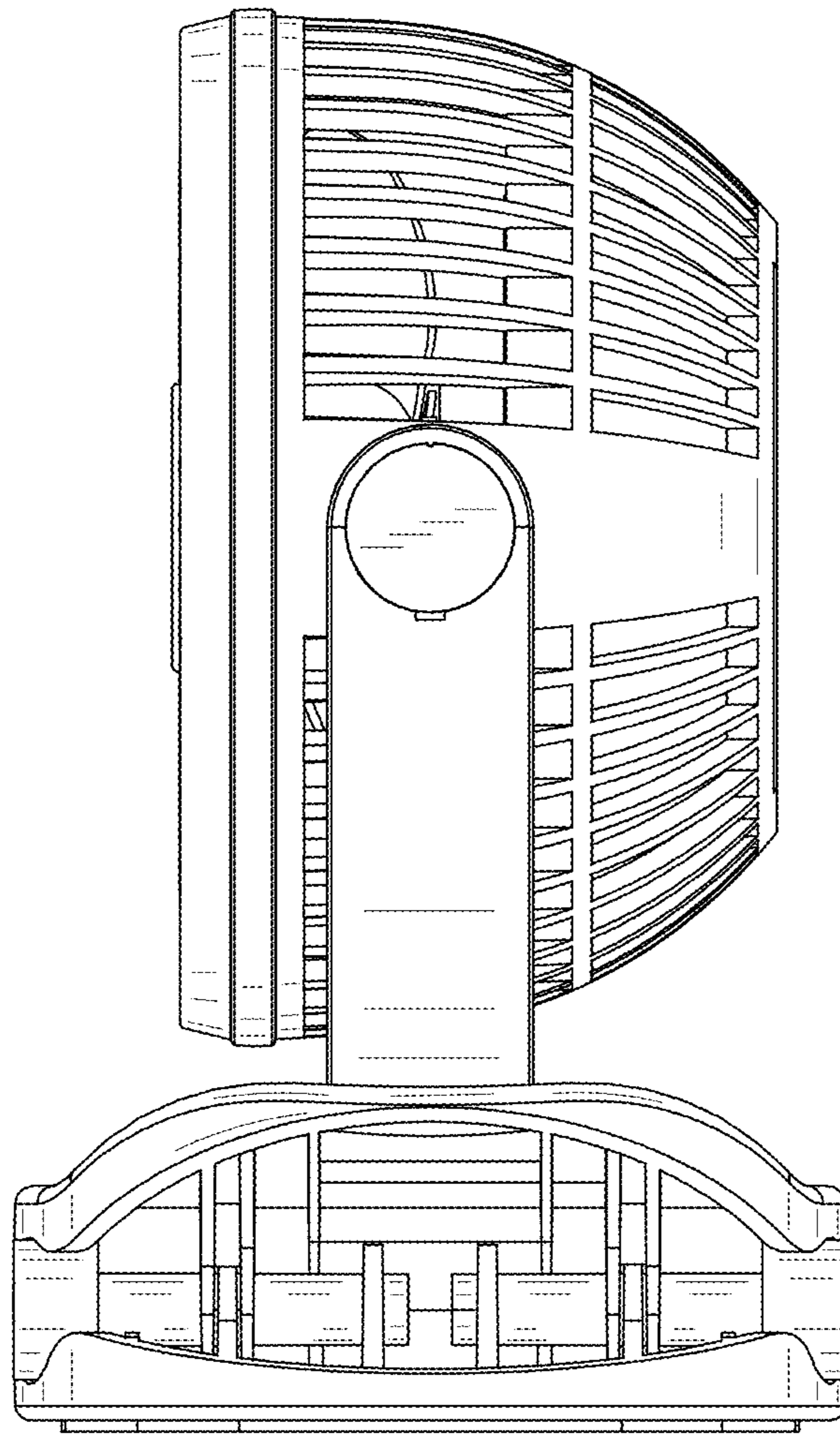


FIG.4

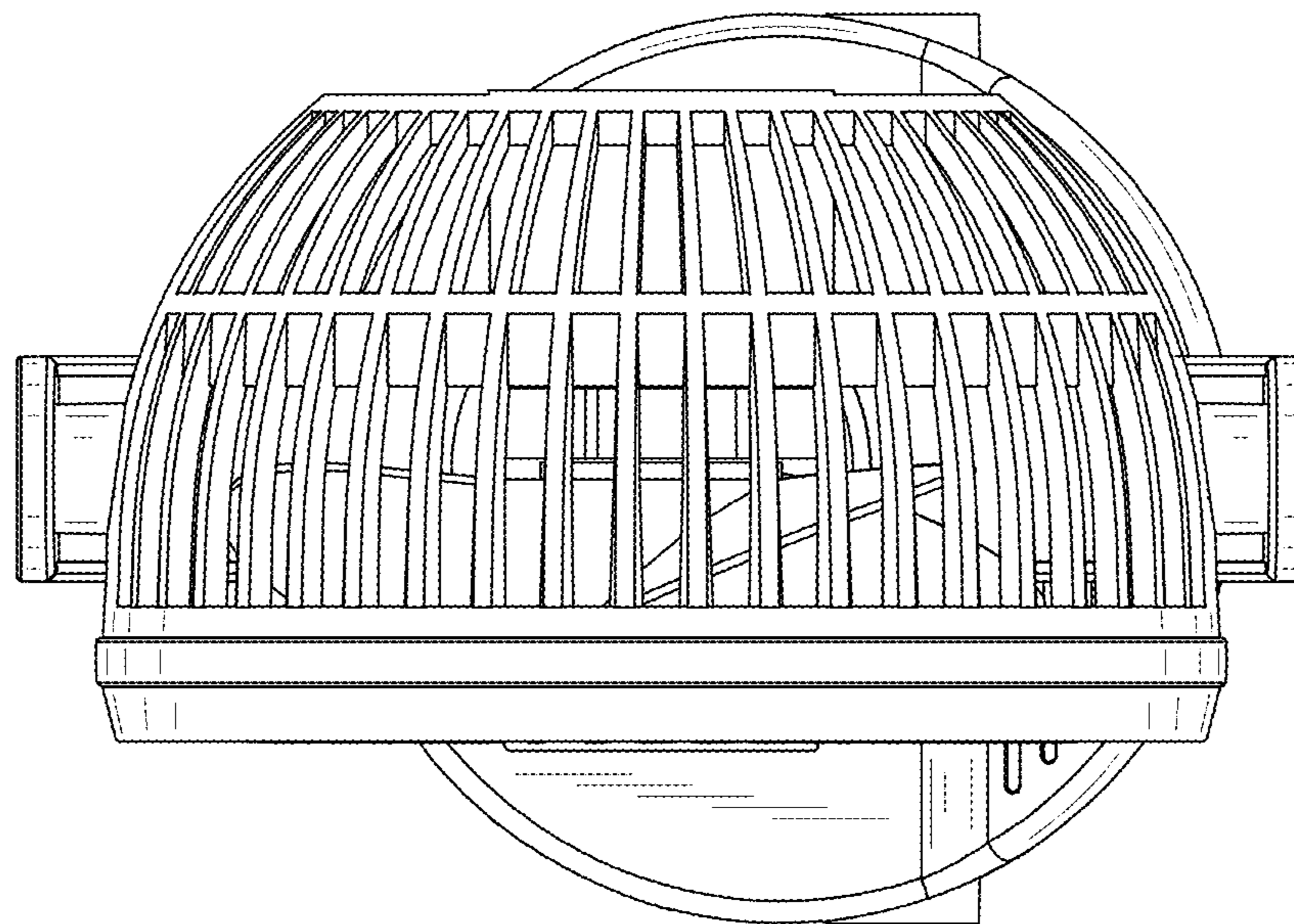


FIG.5

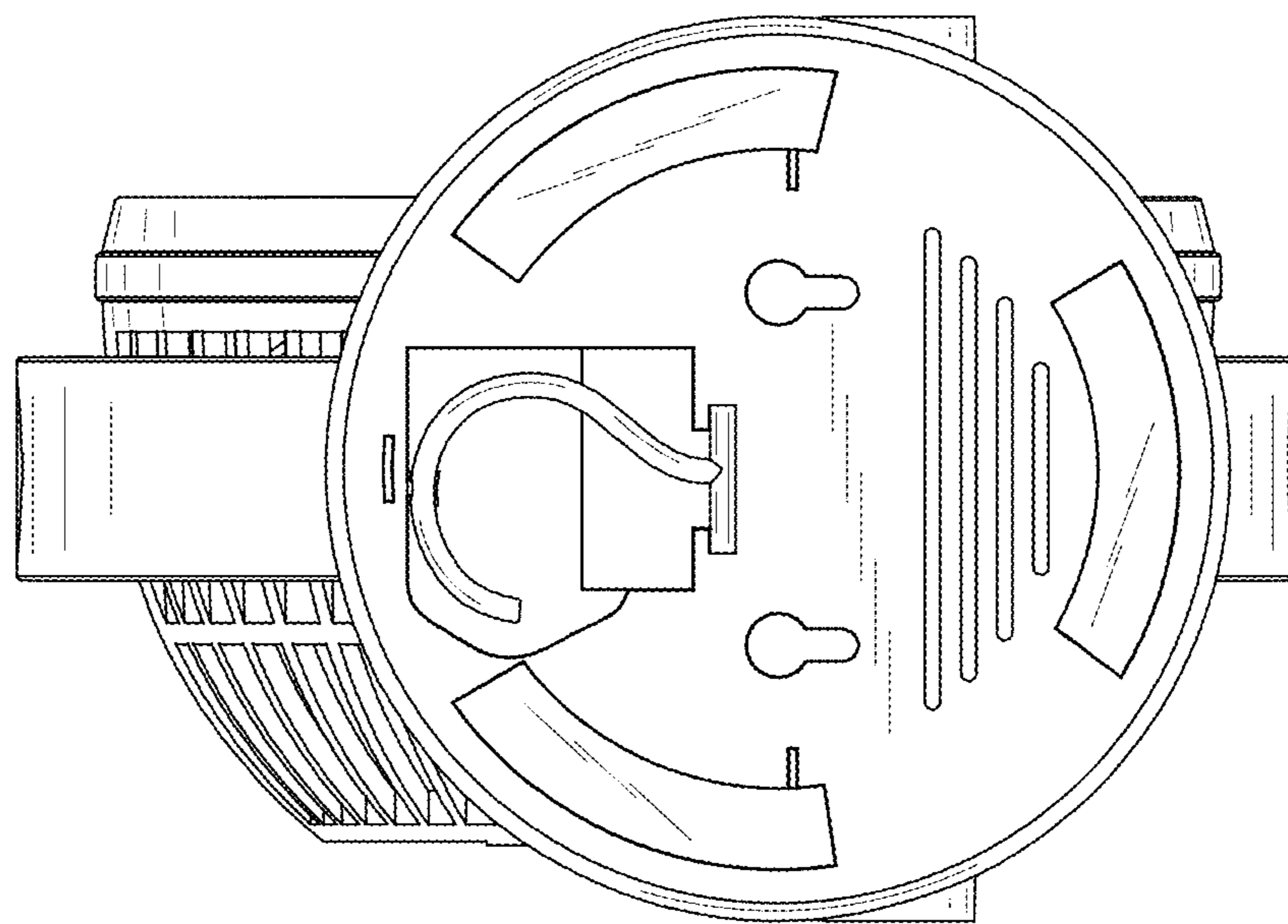


FIG.6

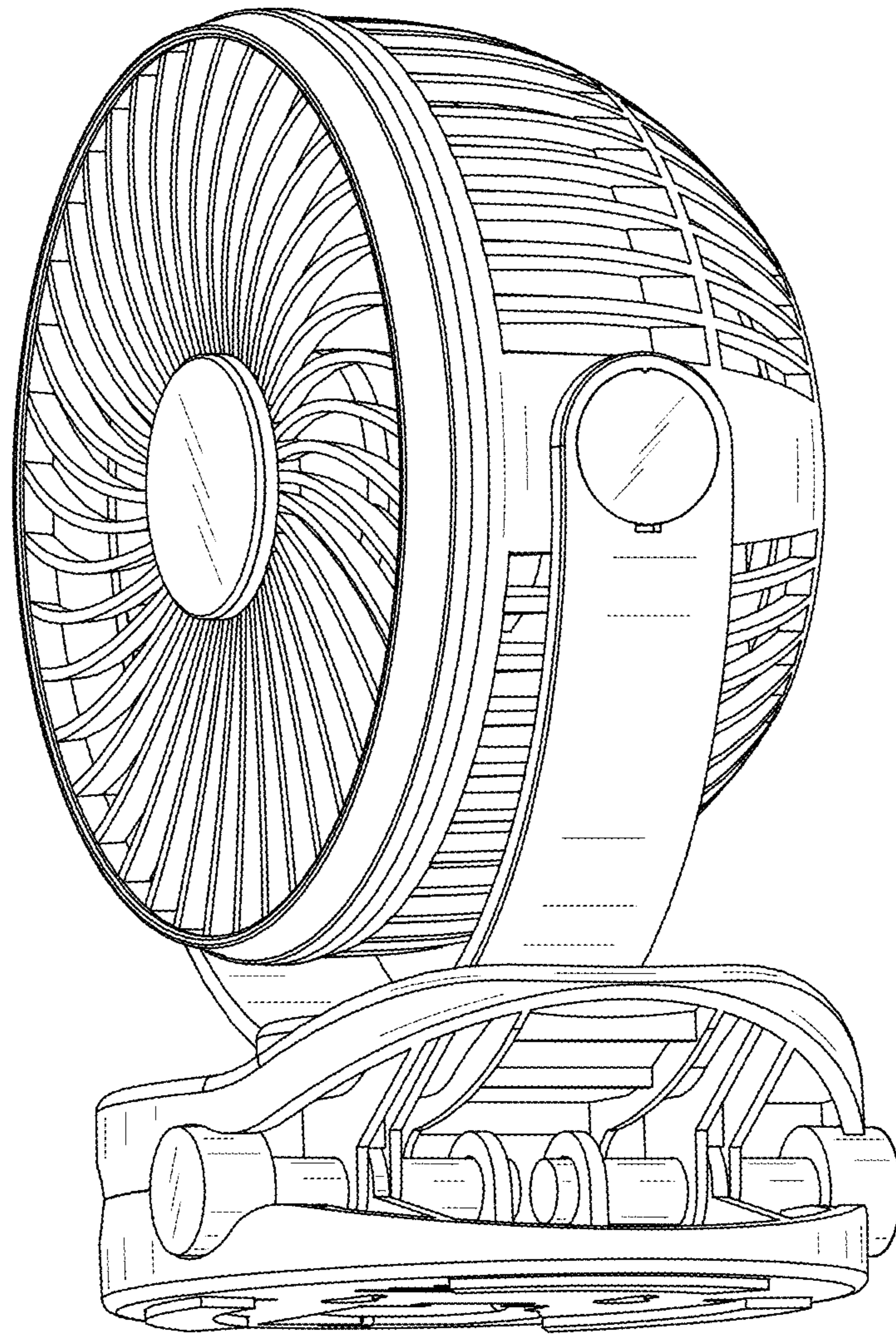


FIG. 7

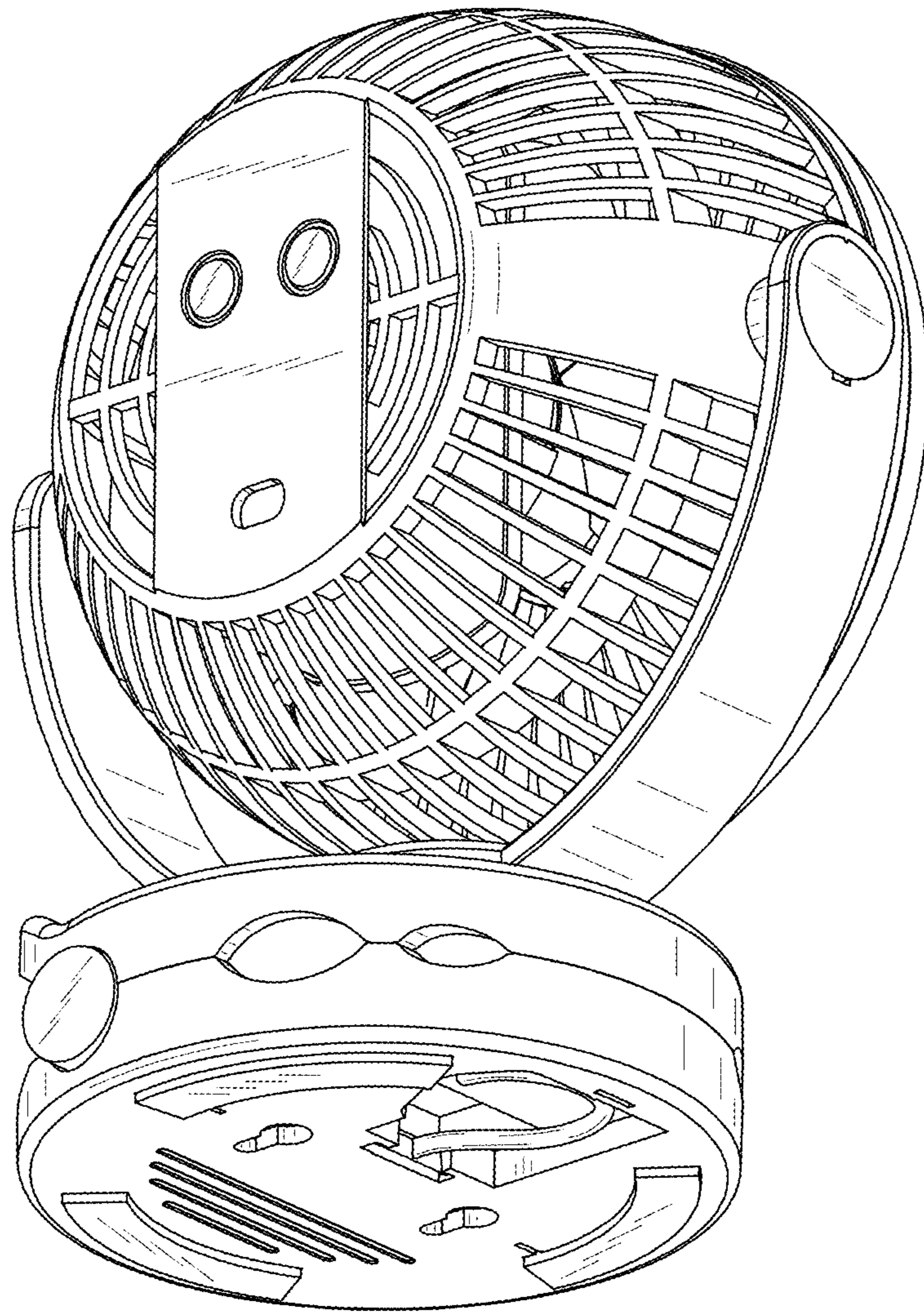


FIG.8