



US00D890911S

(12) **United States Design Patent** (10) **Patent No.:** **US D890,911 S**  
**Holmes** (45) **Date of Patent:** **\*\* Jul. 21, 2020**

(54) **CEILING FAN**  
(71) Applicant: **HUNTER FAN COMPANY,**  
Memphis, TN (US)  
(72) Inventor: **Christine Holmes,** Memphis, TN (US)  
(73) Assignee: **Hunter Fan Company,** Memphis, TN  
(US)

D451,191 S 11/2001 Goodman  
D462,756 S 9/2002 Liu  
D464,722 S 10/2002 Sonneman  
D476,406 S 6/2003 Friedes  
D476,411 S 6/2003 Friedes  
D510,622 S 10/2005 Tai  
D514,695 S 2/2006 Badarello  
D516,200 S 2/2006 Pickett  
D517,197 S 3/2006 Pickett

(Continued)

(\*\*) Term: **15 Years**

(21) Appl. No.: **29/718,907**

(22) Filed: **Dec. 30, 2019**

**Related U.S. Application Data**

(60) Continuation of application No. 29/619,325, filed on  
Sep. 28, 2017, now Pat. No. Des. 875,288, which is  
a division of application No. 29/588,573, filed on  
Dec. 21, 2016, now Pat. No. Des. 808,002.

(51) **LOC (12) Cl.** ..... **23-04**

(52) **U.S. Cl.**  
USPC ..... **D23/377**

(58) **Field of Classification Search**  
USPC ... D26/59, 24, 118, 119, 121-124, 128-137,  
D26/87; D23/370, 377-385, 411-414  
CPC ..... F04D 25/088; F04D 29/38; F21V 21/03  
See application file for complete search history.

(56) **References Cited**

**U.S. PATENT DOCUMENTS**

D298,454 S 11/1988 Clyde-Mason  
D325,776 S 4/1992 Scofield et al.  
D345,790 S 4/1994 Caldwell  
D411,615 S 6/1999 Lo  
D428,982 S 8/2000 Oldenburg  
D430,280 S 8/2000 Huang  
D430,930 S 9/2000 Zuege  
D435,289 S 12/2000 Liu  
D449,396 S 10/2001 Campbell

**OTHER PUBLICATIONS**

<http://www.hunterfan.com/Ceiling-Fans/Perdido-Key?ModelNumber=59276>, Item Specification for Hunter 54" Perdido Key CAN—54" Ceiling Fan, Accessed Oct. 28, 2016.

(Continued)

*Primary Examiner* — Janice Hallmark

(74) *Attorney, Agent, or Firm* — McGarry Bair PC

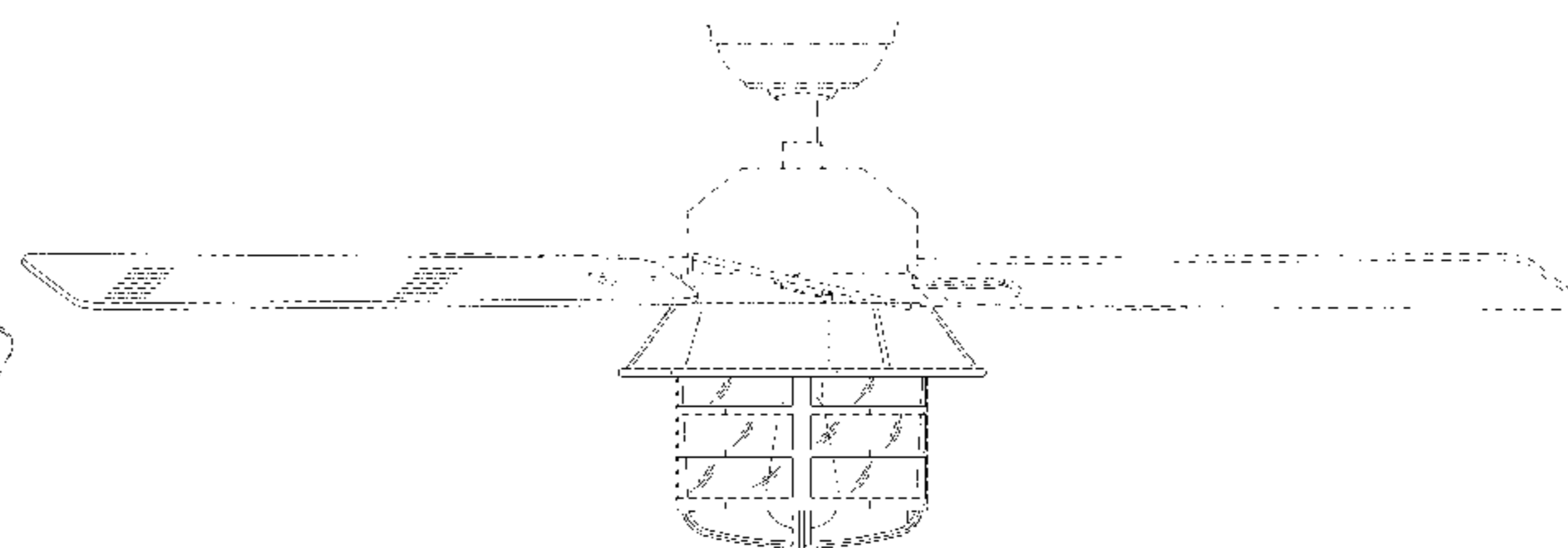
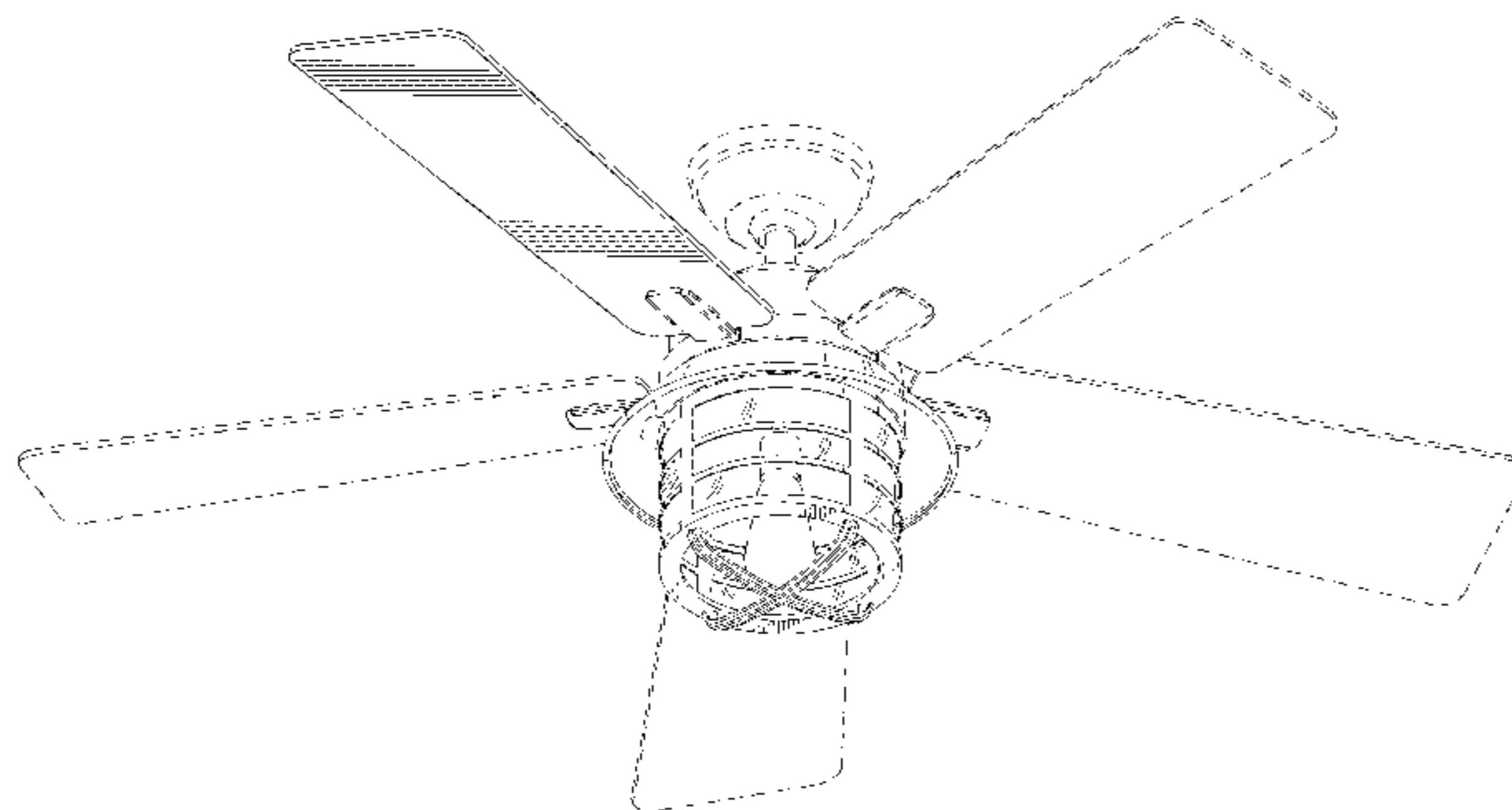
(57) **CLAIM**

The ornamental design for a ceiling fan, as shown and described.

**DESCRIPTION**

FIG. 1 is a top perspective view of a ceiling fan, showing my new design;  
FIG. 2 is a bottom perspective view of the ceiling fan of FIG. 1;  
FIG. 3 is a top view of the ceiling fan of FIG. 1;  
FIG. 4 is a bottom view of the ceiling fan of FIG. 1;  
FIG. 5 is a front side view of the ceiling fan of FIG. 1;  
FIG. 6 is a rear view of the ceiling fan of FIG. 1;  
FIG. 7 is a right side view of the ceiling fan of FIG. 1; and,  
FIG. 8 is a left side view of the ceiling fan of FIG. 1.  
Portions of the ceiling fan are shown in broken lines. Portions of the ceiling fan shown in broken lines form no part of the claimed design.

**1 Claim, 8 Drawing Sheets**



(56)

References Cited

U.S. PATENT DOCUMENTS

D517,675 S	3/2006	Young	
D521,625 S	5/2006	Young	
D522,643 S *	6/2006	Hidalgo .....	D23/377
D525,696 S	7/2006	Ertze	
D528,645 S *	9/2006	Young .....	D23/377
D539,894 S *	4/2007	Bucher .....	D23/377
D555,239 S	11/2007	Shurtleff	
D555,779 S *	11/2007	Bucher .....	D23/377
D562,972 S *	2/2008	Pickett .....	D23/411
D574,945 S	8/2008	Hidalgo	
D580,044 S	11/2008	Ertze	
D699,339 S *	2/2014	Wang .....	D23/385
D704,819 S	5/2014	Wang	
D704,822 S	5/2014	Wang	
D710,489 S	8/2014	Shurtleff	
D732,157 S	6/2015	Lin et al.	
D799,664 S *	10/2017	Wang .....	D23/377
D804,635 S	12/2017	Holmes	
D804,638 S	12/2017	Guthrie	
D805,173 S	12/2017	Vajen Habig et al.	
D805,182 S	12/2017	Pickett	
D806,852 S	1/2018	Holmes	
D808,002 S	1/2018	Holmes	
D810,918 S	2/2018	Holmes	
D814,011 S	3/2018	McRoberts et al.	
D818,104 S	5/2018	Holmes et al.	
D821,009 S	6/2018	Holmes	
D821,010 S	6/2018	Holmes	
D823,512 S	7/2018	Vajen Habig et al.	
D825,086 S	8/2018	Holmes	
D834,172 S	11/2018	Guthrie	
D855,873 S	8/2019	Hagggar	
D856,572 S *	8/2019	Hagggar .....	D26/119
D857,978 S	8/2019	Fan	
D859,628 S	9/2019	Yang	
D859,630 S	9/2019	Puerto	
D861,218 S	9/2019	Yang	
D873,407 S *	1/2020	Wang .....	D23/377
D875,288 S *	2/2020	Holmes .....	D26/59
D876,696 S *	2/2020	Holmes .....	D26/59
2005/0207140 A1	9/2005	Srass et al.	

OTHER PUBLICATIONS

<http://www.homedepot.com/p/Hampton-Bay-Devereaux-II-52-in-Oil-Rubbed-Bronze-Ceiling-Fan-AL685-ORB/203244862>, Item Specification for Hampton Bay Devereaux II 52 in. Oil-Rubbed Bronze Ceiling Fan, Accessed Oct. 28, 2016.

<http://www.hunterfan.com/Ceiling-Fans/Ivy-Creek?ModelNumber=59277>, Item Specification for Hunter Ivy Creek—52" Ceiling Fan, Accessed Oct. 28, 2016.

<http://www.hunterfan.com/Ceiling-Fans/Key-Biscayne?ModelNumber=59135>, Item Specification for Hunter Key Biscayne—54" Ceiling Fan, Accessed Oct. 28, 2016.

<http://ceilingfans.emerson.com/shop/en/fan/fan-s-all/fans-s-browse-all/maui-bay-fan-p-cf2000>, Item Specification for Emerson Maui Bay—52" Ceiling Fan, Accessed Oct. 28, 2016.

<http://www.fanimation.com/products/index.php/fans/kaya.html>, Item Specification for Fanimation Kaya Ceiling Fan, Accessed Oct. 28, 2016.

<http://www.kichler.com/products/product/52-inch-chicago-fan-tzgz-300001tzg.aspx>, Item Specification for Kichler Chicago Collection 52 Inch Chicago Fan TZG, Accessed Oct. 28, 2016.

<http://www.montecarlofans.com/32990/52-Morton-Oil-Rubbed-Bronze-5MB52OZD.html>, Item Specification for Monte Carlo 52" Morton—Oil Rubbed Bronze, Accessed Oct. 28, 2016.

<http://www.homedepot.com/p/Hampton-Bay-Metro-54-in-Rustic-Copper-Indoor-Outdoor-Ceiling-Fan-34342/202075572>, Item Specification for Hampton Bay Metro 54 in. Rustic Copper Indoor/Outdoor Ceiling Fan, Accessed Oct. 28, 2016.

<http://www.craftmade.com/Craftmade-MOR54ESP3-Espresso-Ceiling-Fan.HTM>, Item Specification for Craftmade MOR54ESP3—Moorestad, Accessed Oct. 28, 2016.

<http://www.minkagroup.net/products/f582-orb>, Item Specification for Minka Aire F582-ORB 52" Rainman, Accessed Oct. 28, 2016.

<http://www.craftmade.com/Craftmade-OLK13CFL-FB-Flat-Black-Outdoor-Light-Kit.HTM>, Item Specification for Craftmade OLK13CFL-FB, Accessed Oct. 28, 2016.

<http://www.craftmade.com/Craftmade-OLK200CFL-RI-Rustic-Iron-Ceiling-Fan-Light-Kit.HTM>, Item Specification for Craftmade OLK200CFL-RI, Accessed Oct. 28, 2016.

<http://www.craftmade.com/Craftmade-OLK67CFL-OB-Oiled-Bronze-Outdoor-Light-Kit.HTM>, Item Specification for Craftmade OLK67CFL-OB, Accessed Oct. 28, 2016.

<http://www.modernfan.com/products/pharos.html>, Item Specification for Pharos, Accessed Oct. 28, 2016.

<http://www.montecarlofans.com/32467/52-Aviary-Dark-Bronze-4AIR52DBD.html>, Item Specification for Monte Carlo 52" Aviary—Dark Bronze, Accessed Oct. 28, 2016.

[http://www.montecarlofans.com/22172/52-Burnet-Outdoor-Fan---Roman-Bronze-\(Wet-Rated\)-5BR52RBD.html](http://www.montecarlofans.com/22172/52-Burnet-Outdoor-Fan---Roman-Bronze-(Wet-Rated)-5BR52RBD.html), Item Specification for Monte Carlo 52" Burnet Outdoor Fan—Roman Bronze (Wet Rated), Accessed Oct. 28, 2016.

<http://www.homedepot.com/p/Hampton-Bay-Glacier-Bay-52-in-Indoor-Outdoor-Rustic-Copper-Ceiling-Fan-14938/202790702>, Item Specification for Hampton Bay Glacier Bay 52in. Indoor/Outdoor Rustic Copper Ceiling Fan, Accessed Oct. 28, 2016.

<http://www.homedepot.com/p/Hampton-Bay-North-Shoreline-46-in-Natural-Iron-Indoor-Outdoor-Ceiling-Fan-with-Light-Kit-51546/205643117>, Item Specification for Hampton Bay North Shoreline 46 in. Natural Iron Indoor/Outdoor Ceiling Fan with Light Kit, Accessed Oct. 28, 2016.

<https://www.lowes.com/pd/Harbor-Breeze-Merrimack-52-in-Antique-Bronze-Downrod-Mount-Indoor-Outdoor-Ceiling-Fan-with-Light-Kit-and-Remote/4165863>, Item Specification for Harbor Breeze Merrimack 52-in Antique Bronze Downrod Mount Indoor/Outdoor Ceiling Fan with Light Kit and Remote, Accessed Oct. 28, 2016.

<http://www.hunterfan.com/Ceiling-Fans/Mayford?ModelNumber=59205>, Item Specification for Hunter Mayford—54" Ceiling Fan, Accessed Oct. 28, 2016.

<http://arcadianhome.com/CM-B552C-CR>, Item Specification for Craftmade Contour Series 52" Type 2 Blades—CM-B552C-CR, Accessed Oct. 28, 2016.

<http://www.fanimation.com/products/index.php/22-inch-breckenfield-composite-blade-set.html>, Item Specification for Fanimation 22 Inch Breckenfield Composite Blade Set, Accessed Oct. 28, 2016.

\* cited by examiner

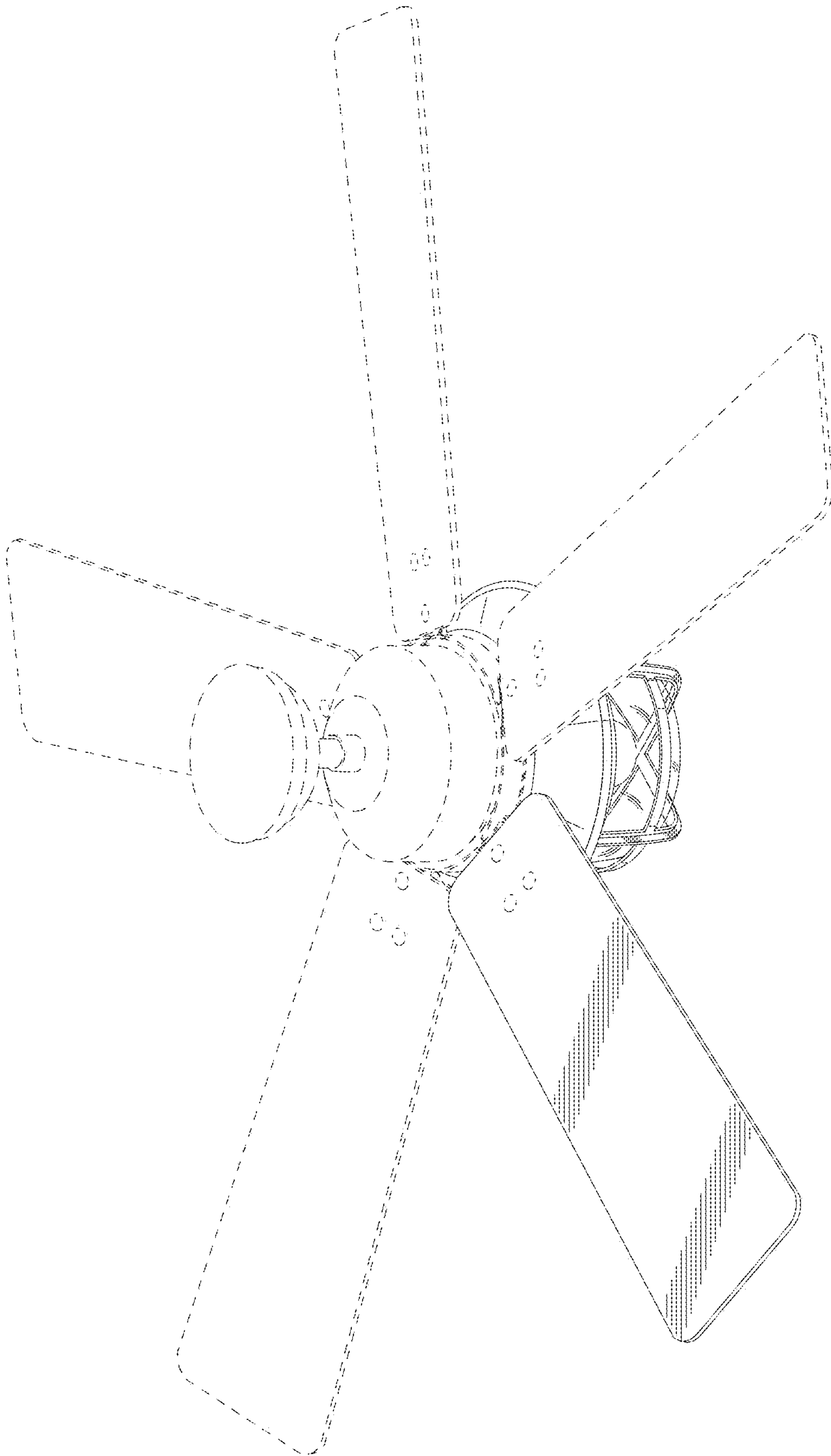


FIG.1

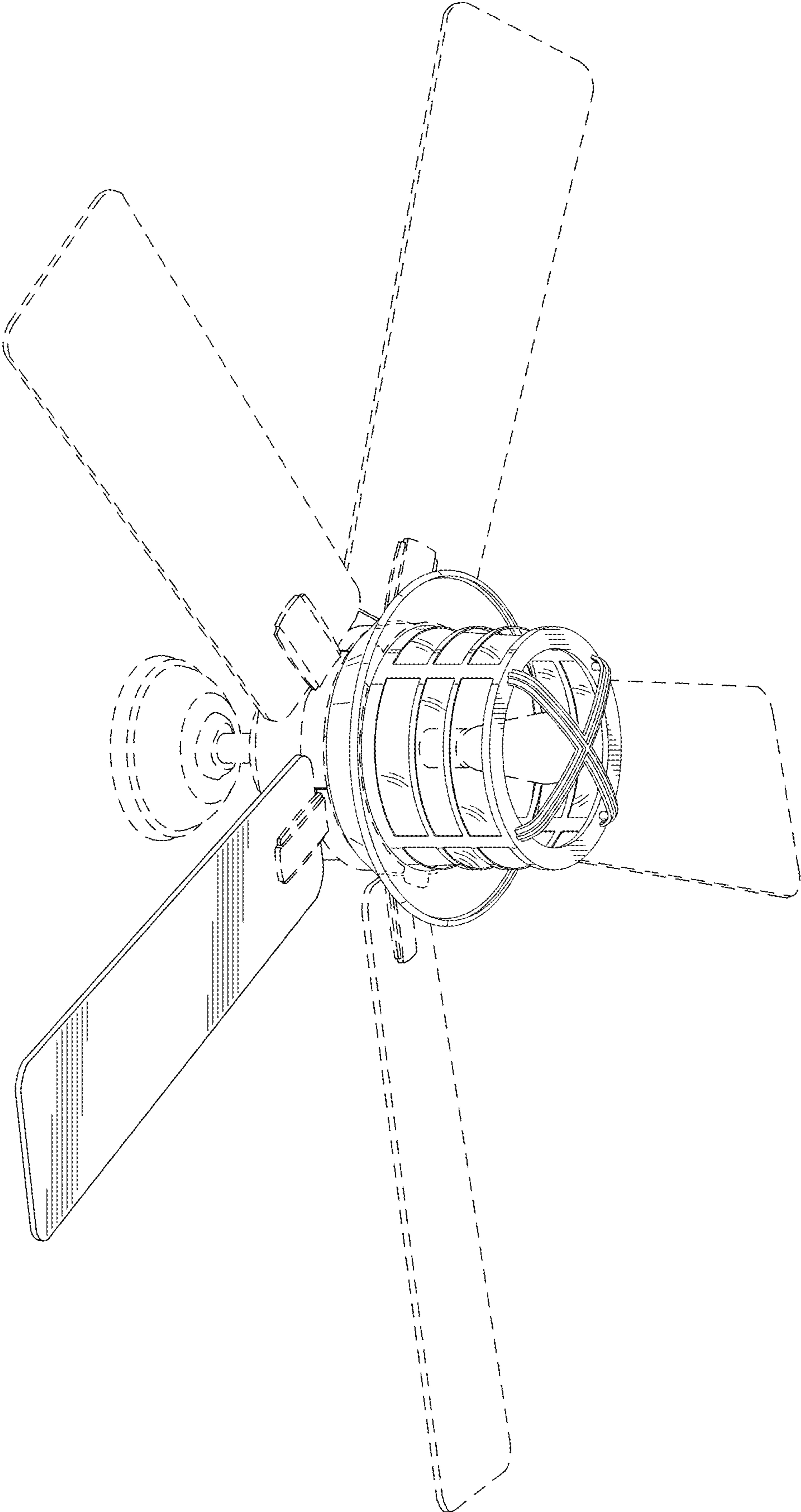


FIG.2

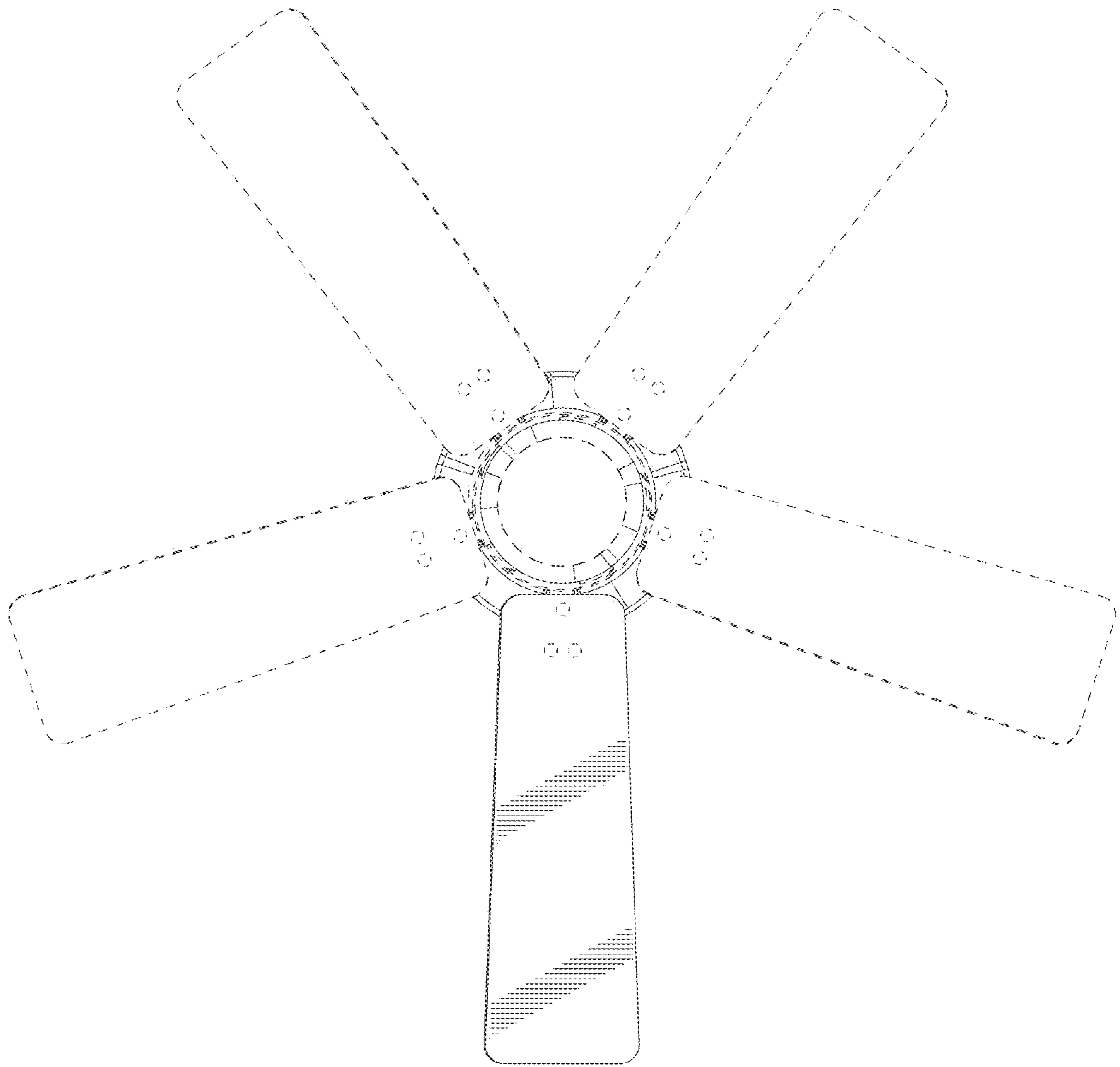


FIG. 3

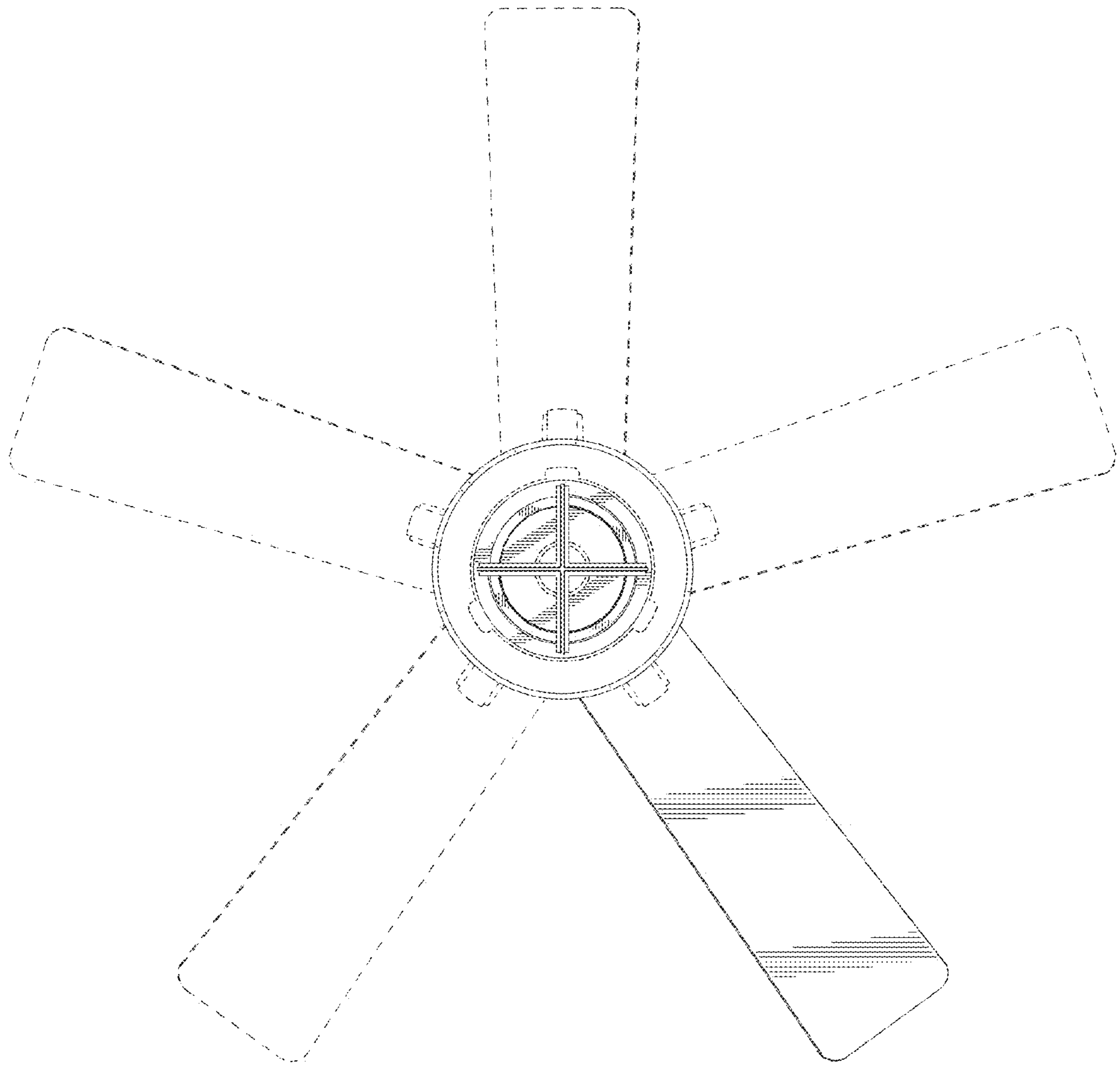


FIG. 4

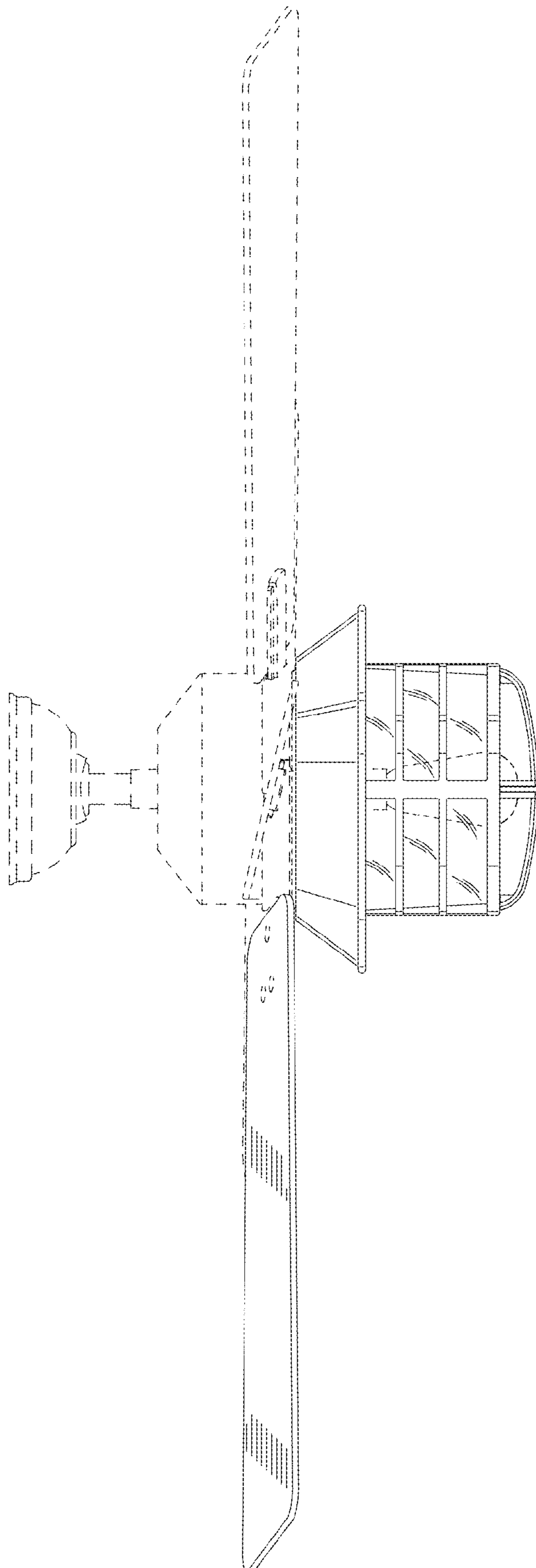


FIG. 5

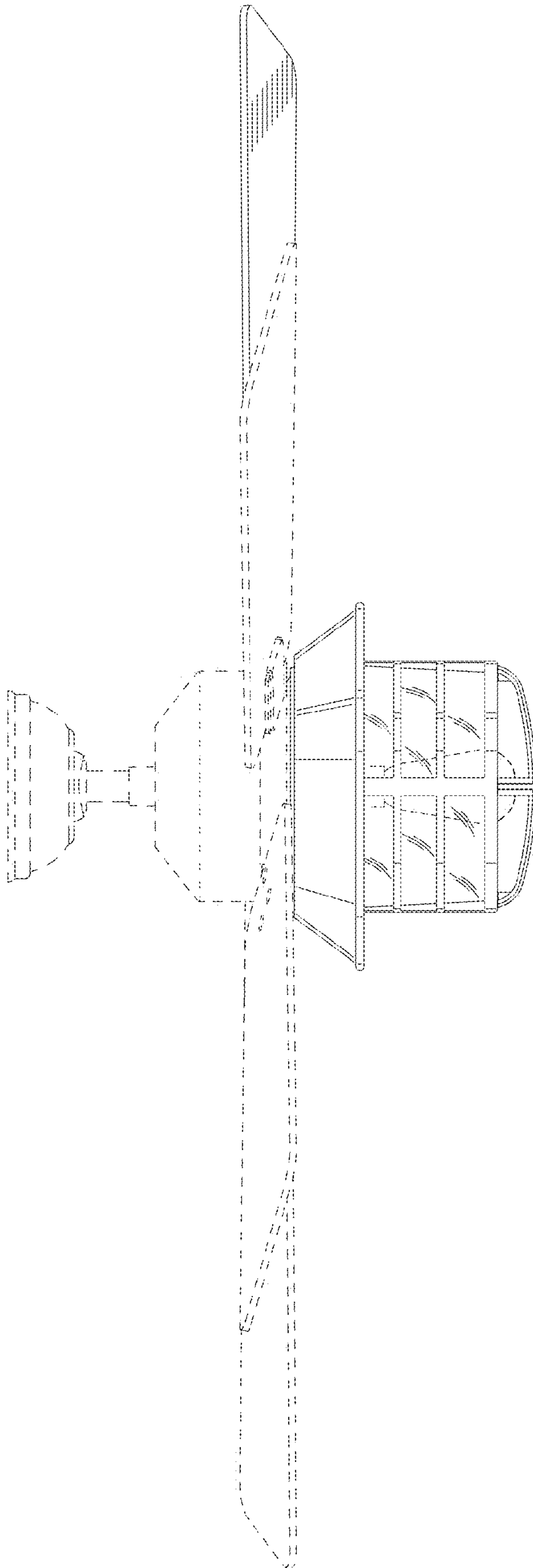


FIG.6



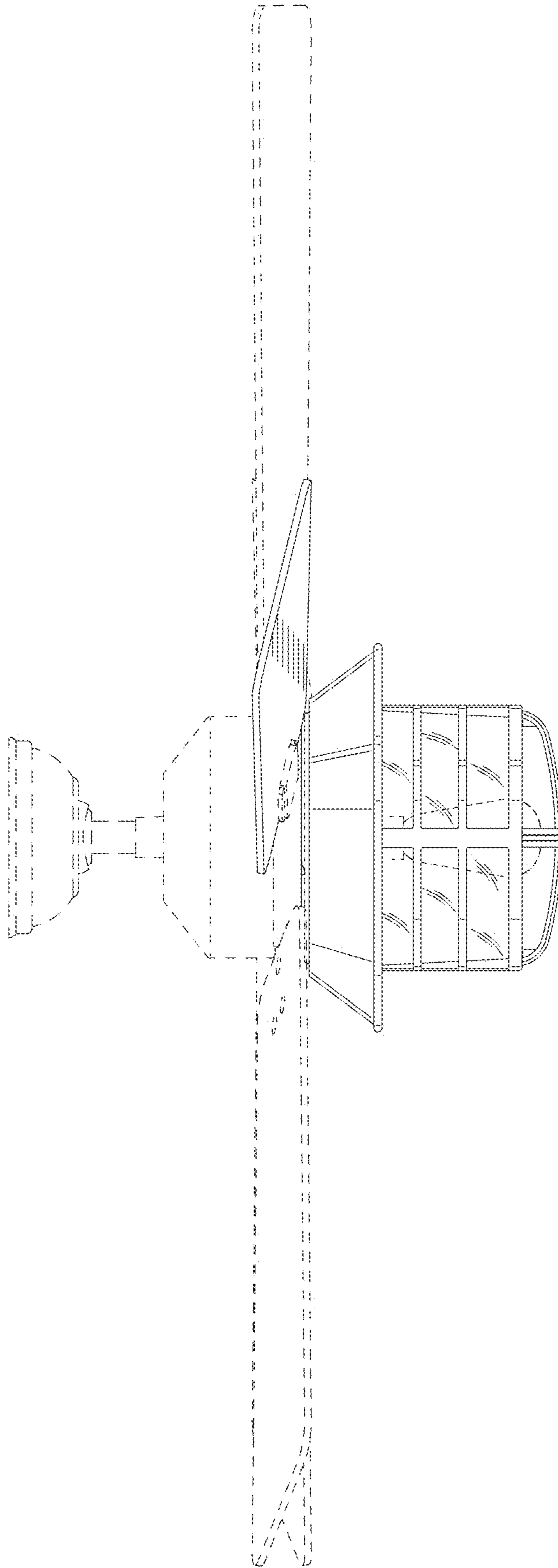


FIG. 7

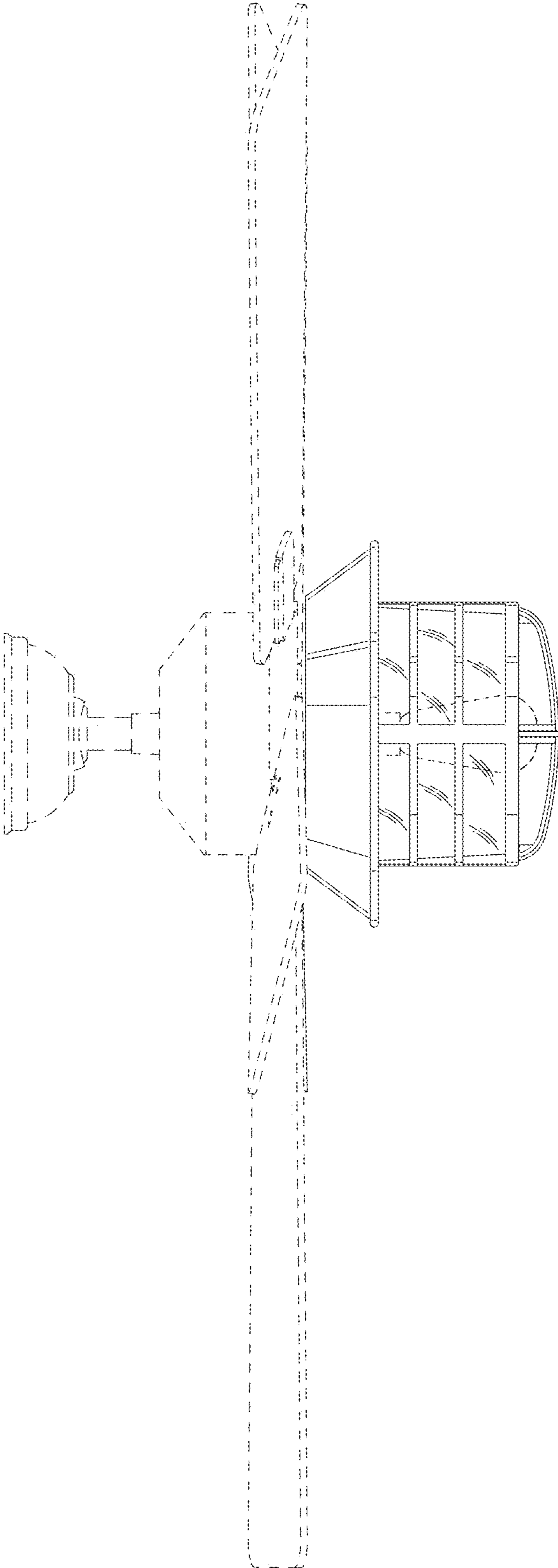


FIG. 8