



US00D890910S

(12) **United States Design Patent**
Haggar et al.

(10) **Patent No.:** **US D890,910 S**
(45) **Date of Patent:** **** Jul. 21, 2020**

- (54) **CEILING FAN**
- (71) Applicant: **Hunter Fan Company**, Memphis, TN (US)
- (72) Inventors: **Alexander Jonathan Haggar**, Memphis, TN (US); **Claire Bernice McRoberts**, Memphis, TN (US)
- (73) Assignee: **Hunter Fan Company**, Memphis, TN (US)
- (**) Term: **15 Years**
- (21) Appl. No.: **29/667,995**
- (22) Filed: **Oct. 26, 2018**
- (51) **LOC (12) Cl.** **23-04**
- (52) **U.S. Cl.**
USPC **D23/377**
- (58) **Field of Classification Search**
USPC D23/370–385, 411–414; D26/59, 72, 89, D26/118, 124; D12/214, 339, 344
CPC F04D 25/088; F04D 29/38; F04D 29/384; F04D 29/386; F21V 33/0096
See application file for complete search history.

- D706,407 S 6/2014 Wang
 - D715,917 S * 10/2014 Hidalgo D23/377
 - D716,438 S * 10/2014 Liu D23/377
 - D745,956 S * 12/2015 Ertze D23/385
 - D771,794 S 11/2016 Wang
 - D772,393 S * 11/2016 Wang D23/377
 - D773,030 S 11/2016 Puerto
 - D785,157 S * 4/2017 Wang D23/377
 - D788,283 S 5/2017 Busta
- (Continued)

- (56) **References Cited**
U.S. PATENT DOCUMENTS
- D290,748 S 7/1987 Kawai
- D355,027 S 1/1995 Young
- D386,257 S * 11/1997 Liu D23/377
- D445,887 S 7/2001 Campbell
- D453,216 S * 1/2002 Gajewski D23/377
- D484,964 S * 1/2004 Young D23/377
- D506,565 S * 6/2005 Yurich D26/85
- D535,388 S 1/2007 Gajewski
- D561,374 S * 2/2008 Hartmann, Jr. D26/74
- D607,600 S * 1/2010 Keith D26/104
- D628,688 S * 12/2010 Pan D23/377
- D670,802 S 11/2012 Wang
- D671,203 S * 11/2012 Wang D23/377

OTHER PUBLICATIONS

The Luray Eco Ceiling Fan by Emerson, date posted Jul. 19, 2016, site visited Dec. 22, 2019, available from internet, <<https://www.youtube.com/watch?v=H8cLSeDAKMA>>.*

Primary Examiner — Cathron C Brooks
Assistant Examiner — Sharon S Oum
(74) *Attorney, Agent, or Firm* — McGarry Bair PC

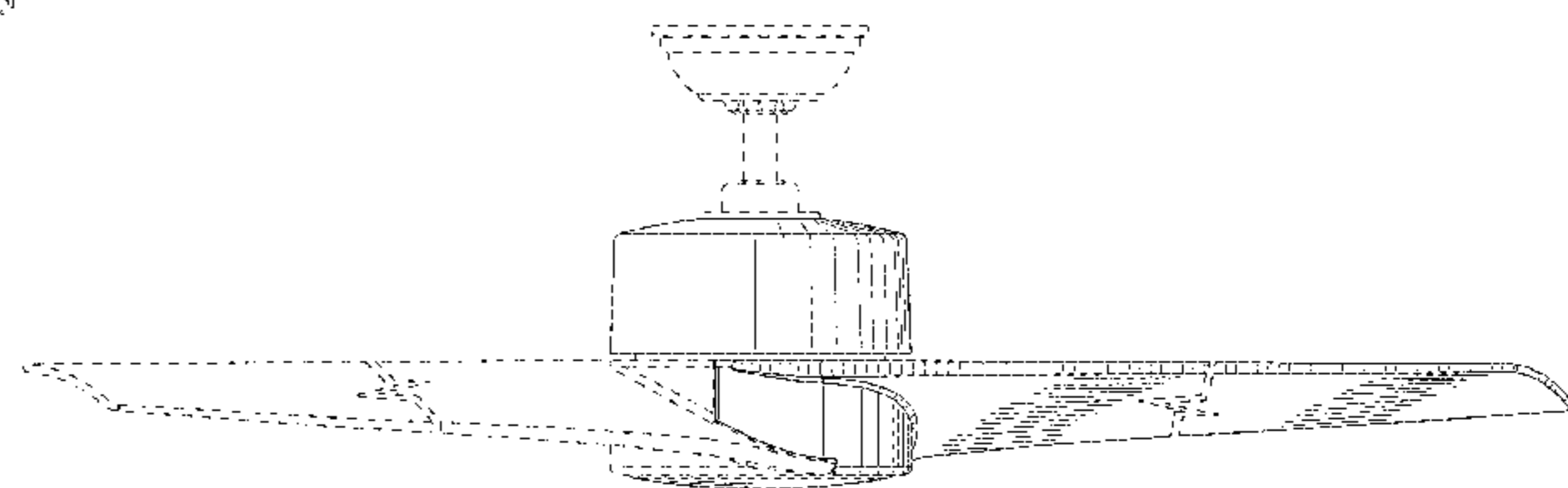
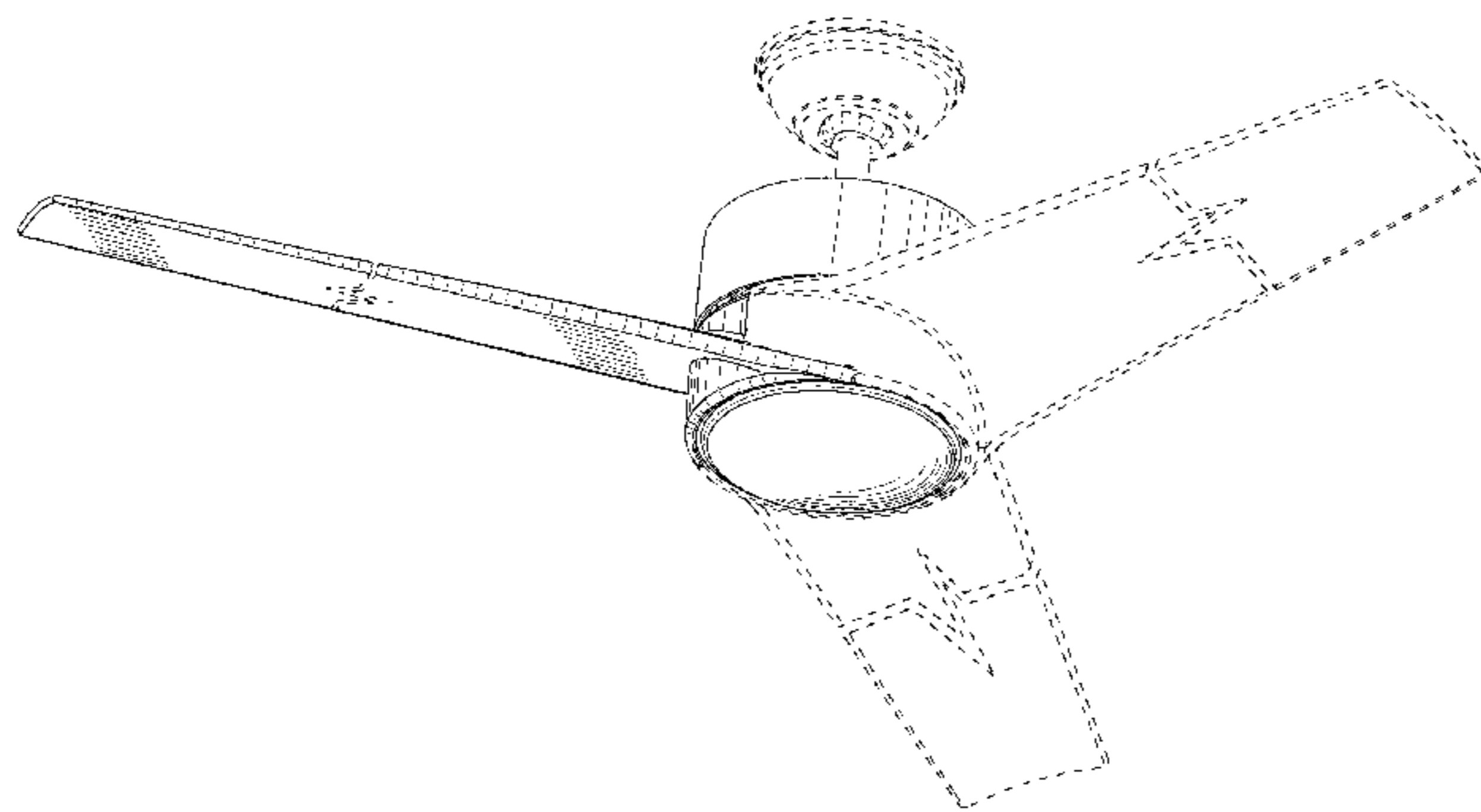
(57) **CLAIM**

The ornamental design for a ceiling fan, as shown and described.

DESCRIPTION

FIG. 1 is a top perspective view of a ceiling fan showing our new design;
FIG. 2 is a bottom perspective view thereof;
FIG. 3 is a top view thereof;
FIG. 4 is a bottom view thereof;
FIG. 5 is a front side view thereof;
FIG. 6 is a front-left side view thereof;
FIG. 7 is a left side view thereof; and,
FIG. 8 is a rear side view.
The broken lines indicate portions of the ceiling fan and form no part of the claimed design. The ceiling fan blades are shown with a symbolic break in their length. The appearance of any portion of the ceiling fan blades between the break lines forms no part of the claimed design.

1 Claim, 8 Drawing Sheets



(56)

References Cited

U.S. PATENT DOCUMENTS

D795,411 S * 8/2017 Wang D23/377
D782,644 S 11/2017 Wang
D804,639 S * 12/2017 Guthrie D23/377
D805,174 S * 12/2017 Guthrie D23/377
D813,370 S 3/2018 Li
D826,394 S * 8/2018 Biancuzzo D23/411
D855,788 S * 8/2019 Hagggar D23/377
D855,789 S * 8/2019 Hagggar D23/377
D862,755 S * 10/2019 Hagggar D26/59
2018/0128276 A1 * 5/2018 Li F04D 25/06

* cited by examiner

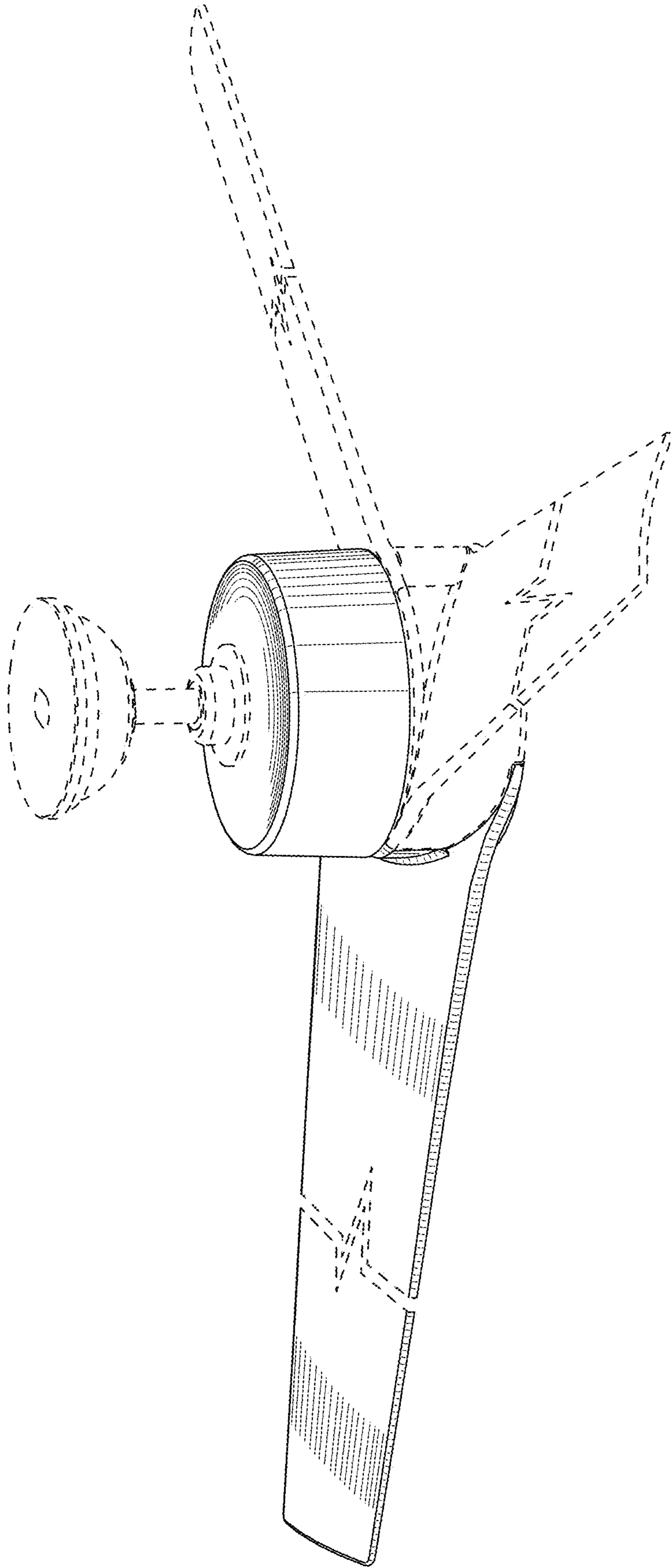


FIG. 1

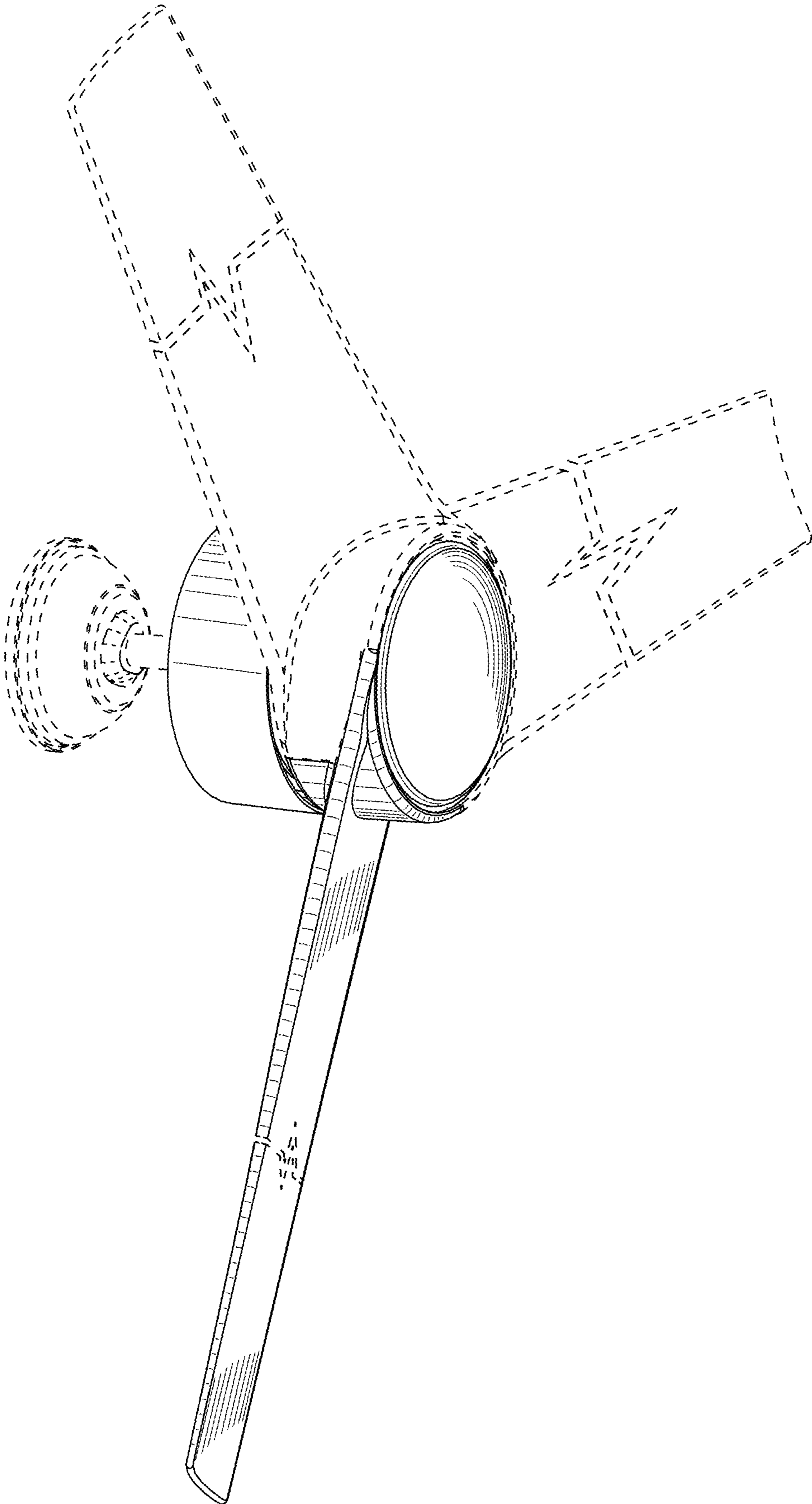


FIG. 2

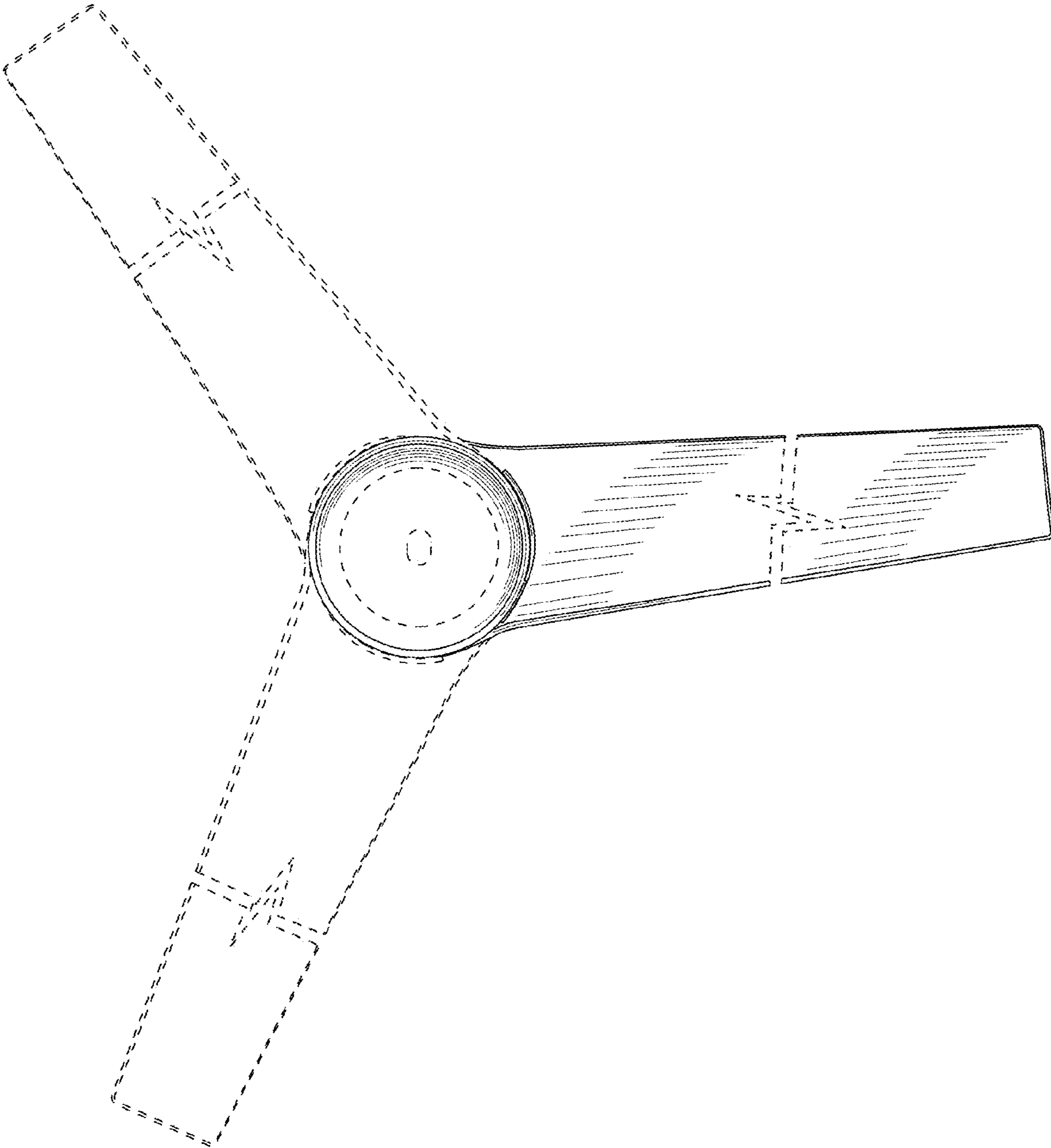


FIG. 3

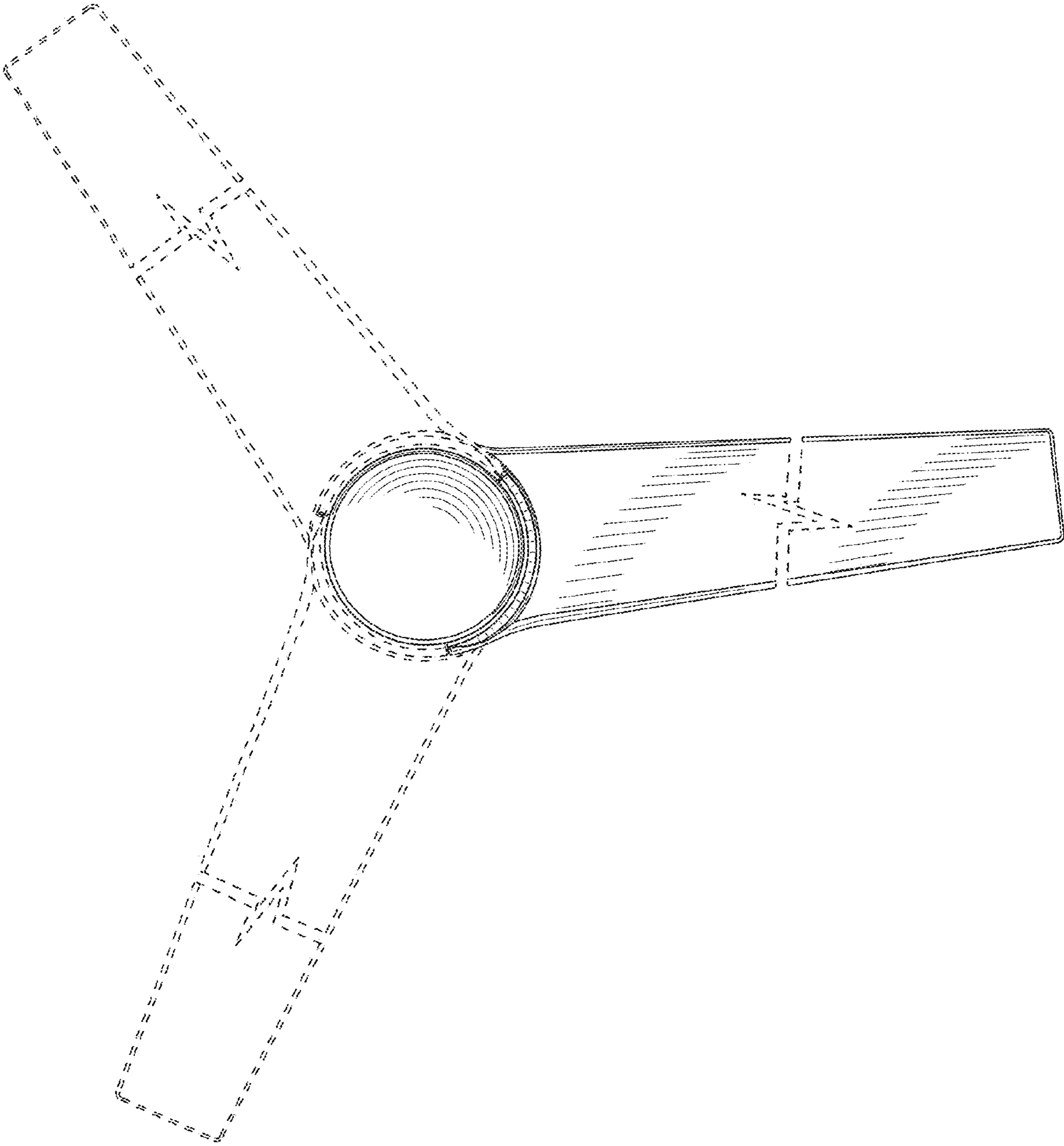


FIG. 4

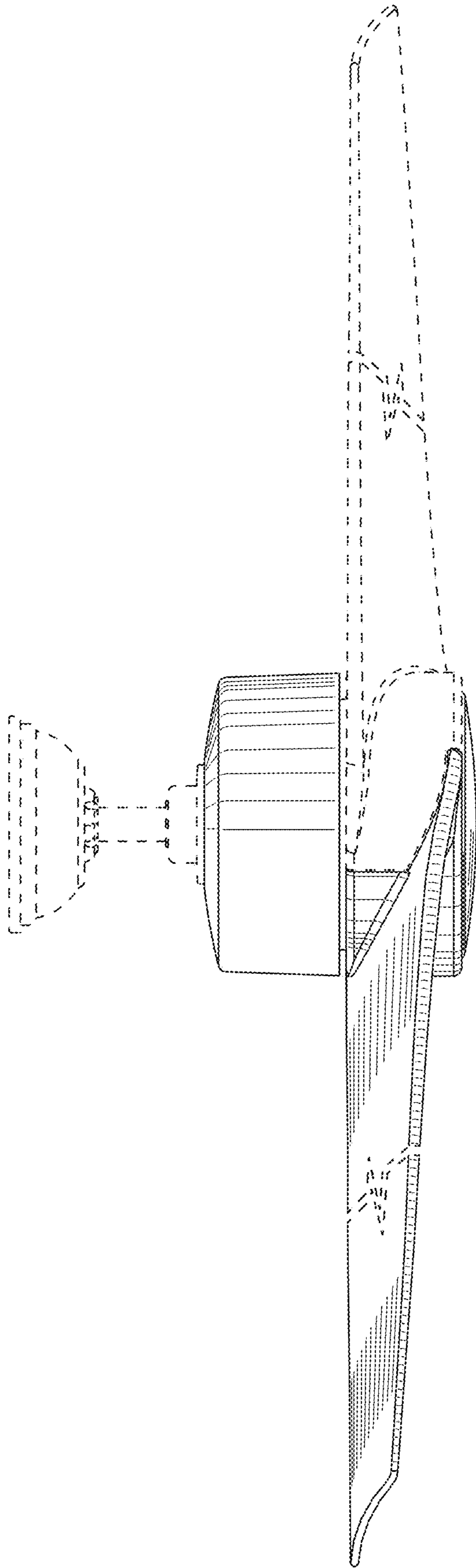


FIG. 5

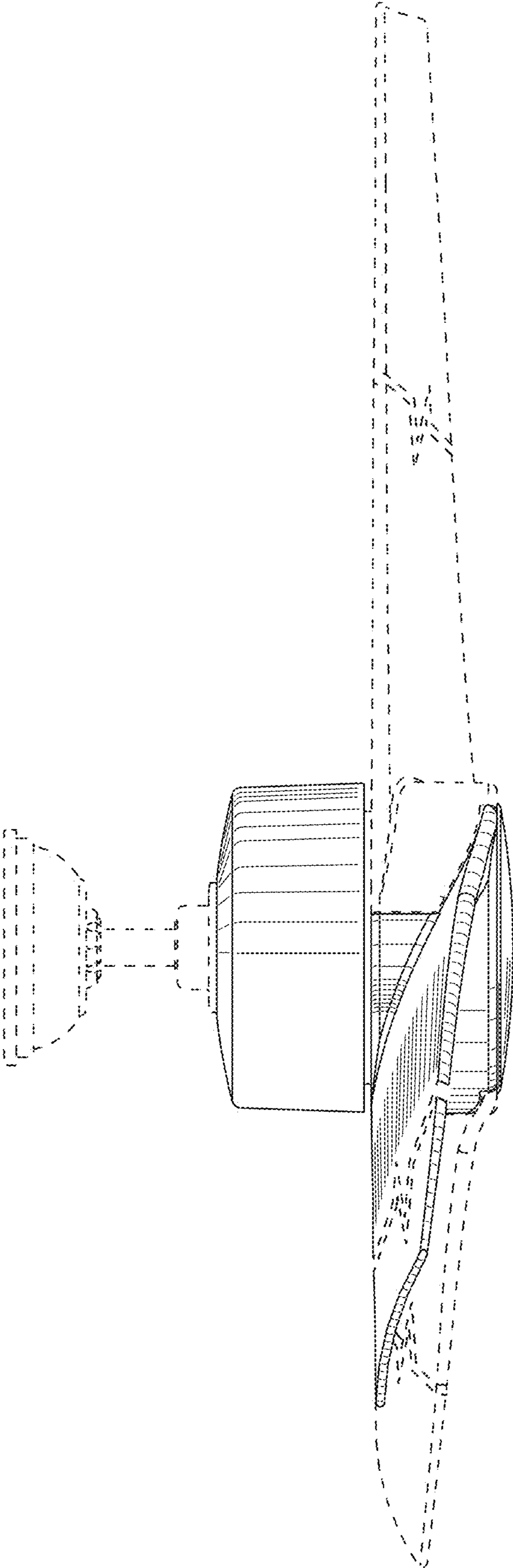


FIG. 6

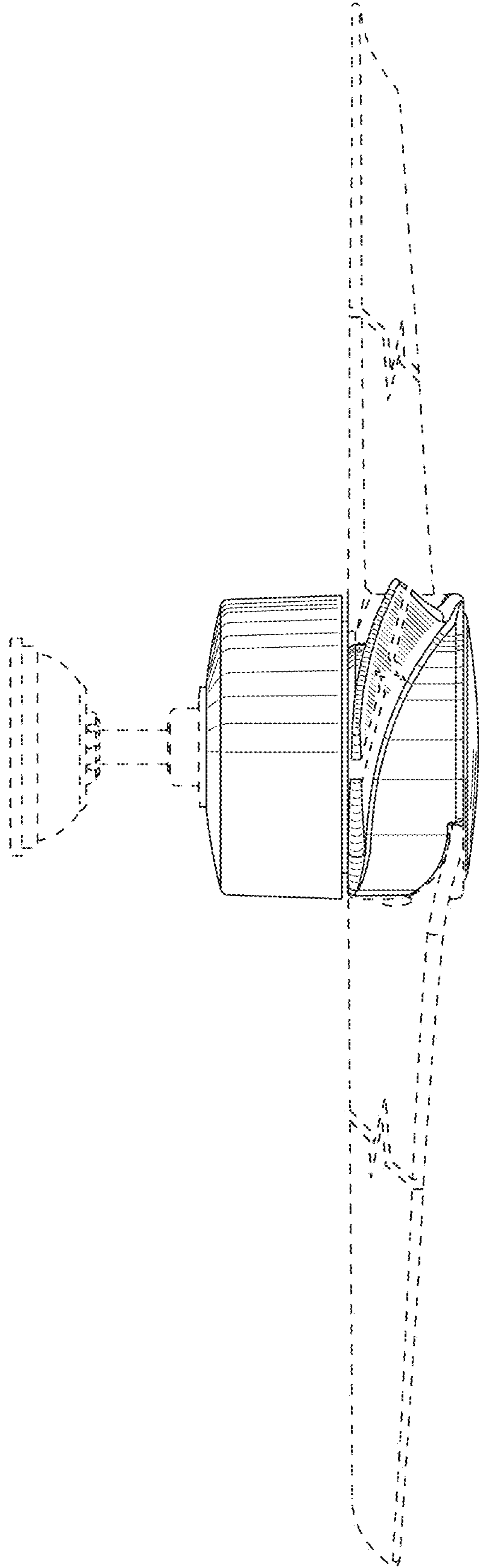


FIG. 7

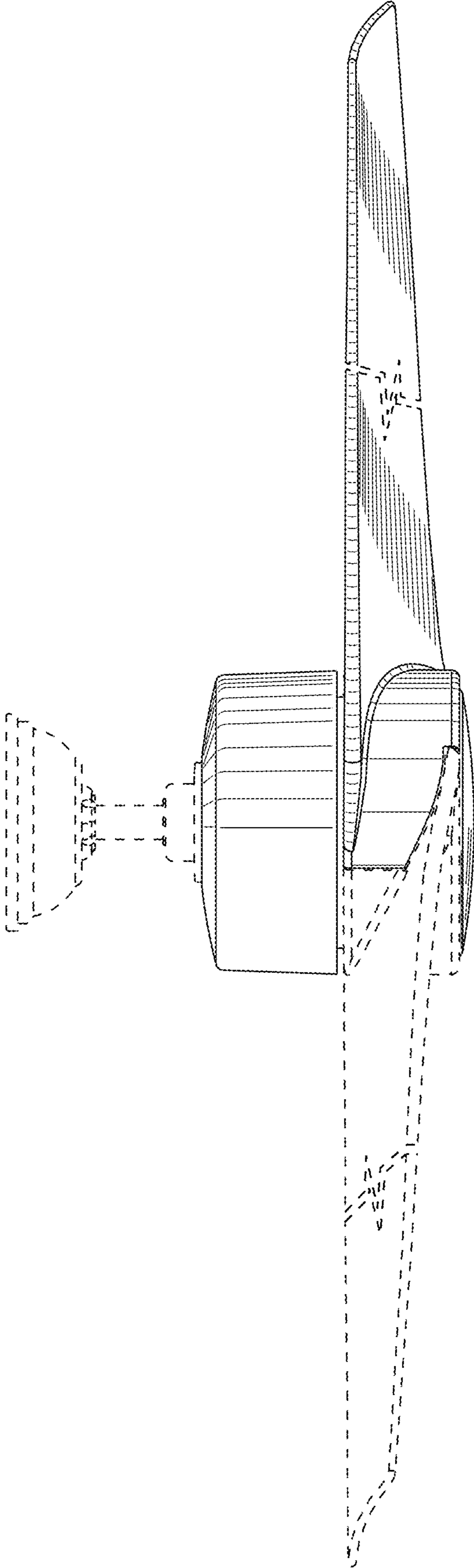


FIG. 8