



US00D890906S

(12) **United States Design Patent**
Jeon

(10) **Patent No.:** **US D890,906 S**
(45) **Date of Patent:** **** Jul. 21, 2020**

(54) **PORTABLE AIR PURIFIER**
(71) Applicant: **LG Electronics Inc.**, Seoul (KR)
(72) Inventor: **Jongkeon Jeon**, Seoul (KR)
(73) Assignee: **LG Electronics Inc.**, Seoul (KR)
(**) Term: **15 Years**
(21) Appl. No.: **35/506,936**
(22) Filed: **Dec. 19, 2018**
(80) **Hague Agreement Data**
Int. Filing Date: **Dec. 19, 2018**
Int. Reg. No.: **DM/200490**
Int. Reg. Date: **Dec. 19, 2018**
Int. Reg. Pub. Date: **Jun. 21, 2019**

(30) **Foreign Application Priority Data**
Oct. 26, 2018 (KR) 30-2018-0049494
(51) **LOC (12) Cl.** **23-02**
(52) **U.S. Cl.**
USPC **D23/364**
(58) **Field of Classification Search**
USPC D11/143-145, 152-154; D23/355, 356,
D23/359, 370, 386
CPC .. F24F 11/30; F24F 11/52; F24F 11/58; F24F
11/62; F24F 11/89; F24F 2120/10; F24F
11/33; F24F 11/34; F24F 11/46; F24F
11/64; F24F 11/70; F24F 11/75; F24F
13/24; F24F 2003/1628; F24F 2003/1667;
F24F 2013/242; F24F 2110/10; F24F
2110/20; F24F 2110/64; F24F 2120/00;
F24F 2140/50; F24F 2221/38; F24F
3/1603; F24F 3/166
See application file for complete search history.

(56) **References Cited**
U.S. PATENT DOCUMENTS
D585,533 S * 1/2009 Gao D23/332
D604,817 S * 11/2009 Lee D23/332

D675,303 S * 1/2013 Raupach D23/364
D729,921 S * 5/2015 Poindexter D23/364
D730,506 S * 5/2015 Poindexter D23/364
D797,272 S * 9/2017 Poindexter D23/364
D797,914 S * 9/2017 Nygren D23/364
D797,915 S * 9/2017 Lewis D23/364
D799,015 S * 10/2017 Tang D23/364
D802,112 S * 11/2017 Jeon D23/364
D803,368 S * 11/2017 Priester D23/364
D805,622 S * 12/2017 Lee D23/364
D819,797 S * 6/2018 Mann D23/364
D855,169 S * 7/2019 Zhong D23/364
D862,673 S * 10/2019 Tang D23/364
D865,148 S * 10/2019 Yoon D23/364
D865,149 S * 10/2019 Lin D23/364
D876,599 S * 2/2020 He D23/364
D877,873 S * 3/2020 Pan D23/364
D877,874 S * 3/2020 Liu D23/364
D877,875 S * 3/2020 Shin D23/364
D878,530 S * 3/2020 Pan D23/364

* cited by examiner

Primary Examiner — Khawaja Anwar
(74) *Attorney, Agent, or Firm* — Birch, Stewart, Kolasch
& Birch, LLP

(57) **CLAIM**

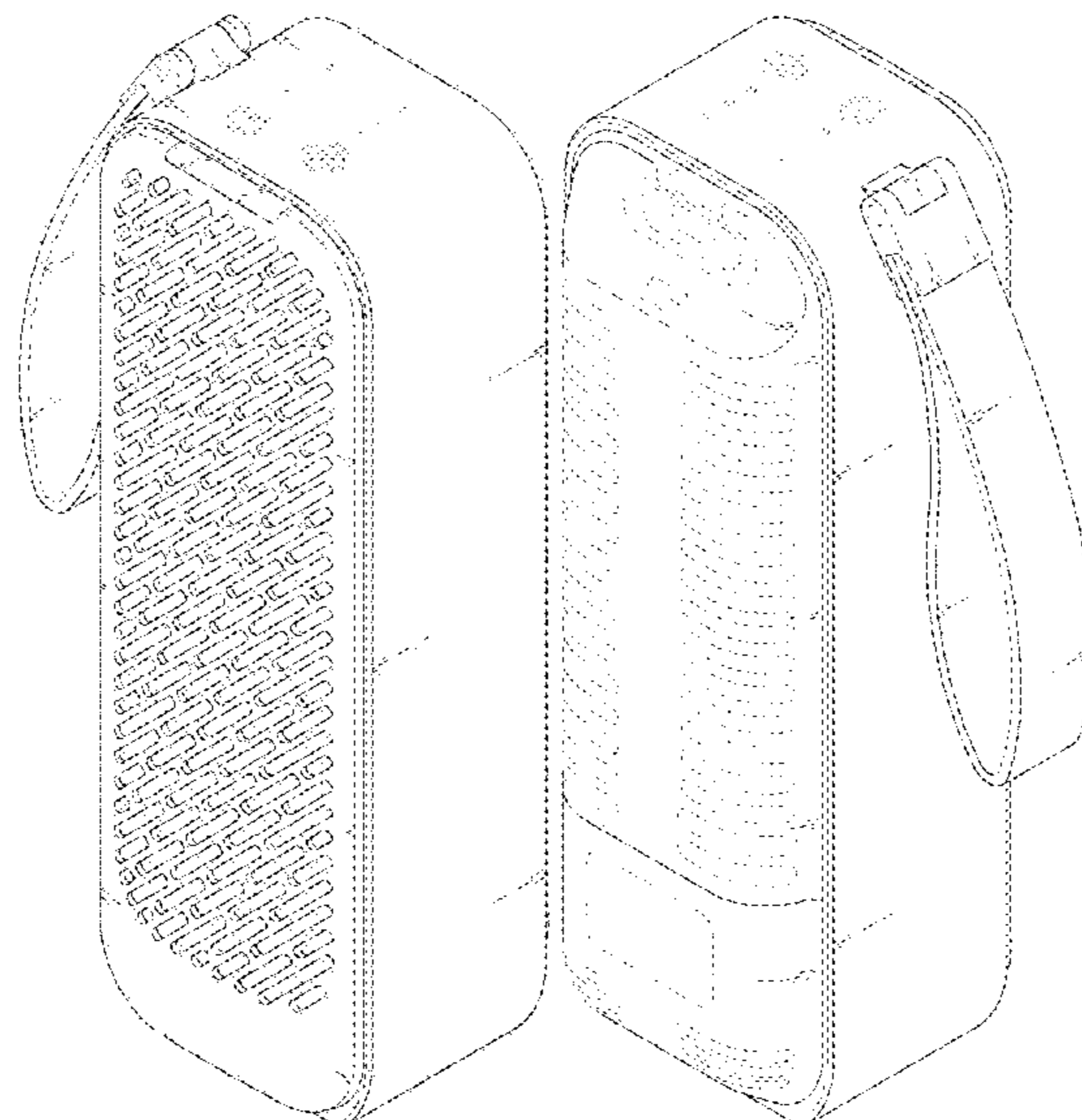
The ornamental design for a portable air purifier, as shown and described.

DESCRIPTION

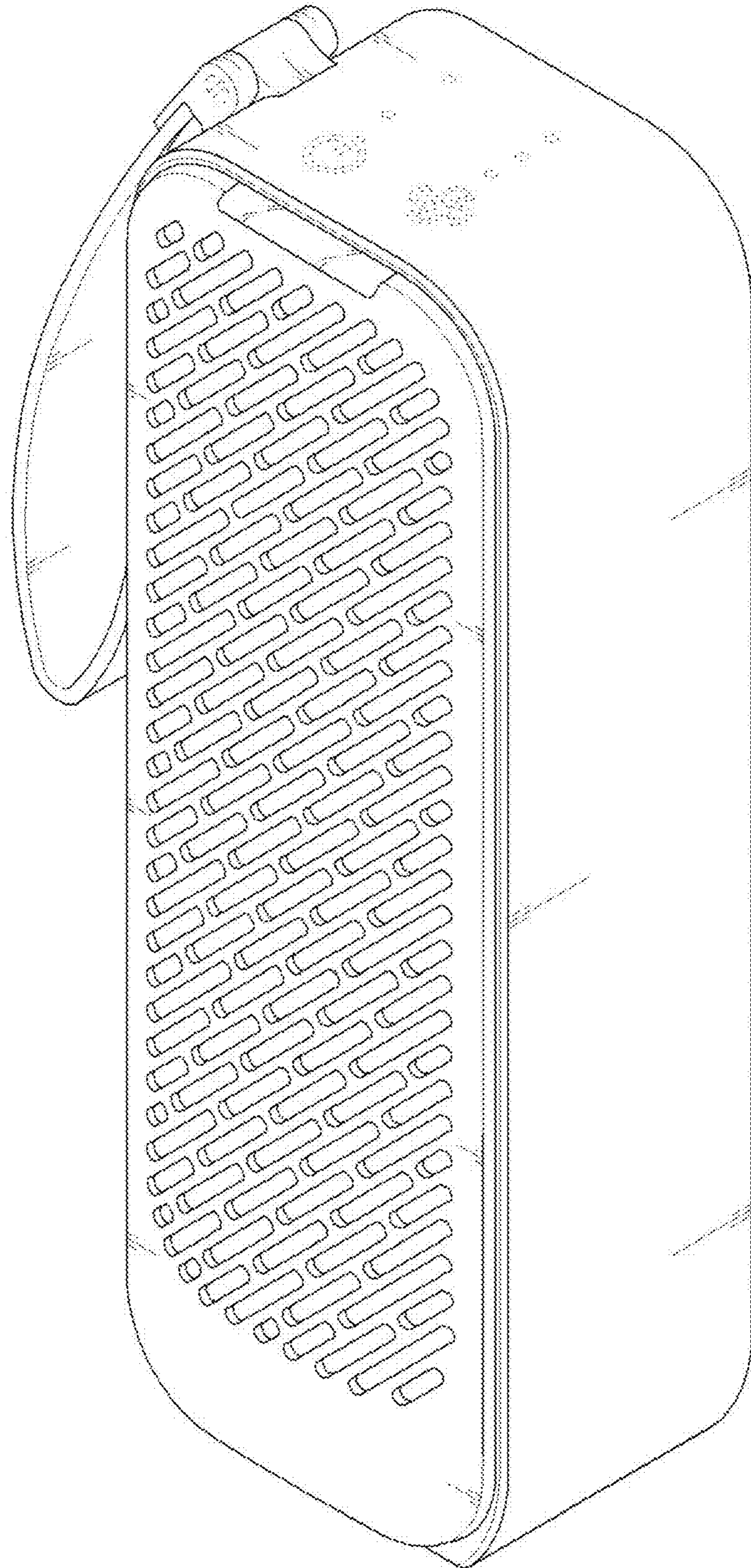
1. Portable air purifier
Reproduction 1.1 is a front perspective view of the portable air purifier; reproduction 1.2 is a front view thereof; reproduction 1.3 is a back view thereof; reproduction 1.4 is a left view thereof; reproduction 1.5 is a right view thereof; reproduction 1.6 is a top view thereof; reproduction 1.7 is a bottom view thereof; reproduction 1.8 is a back perspective view thereof.

The broken lines depict portions of the portable air purifier that form no part of the claimed design.

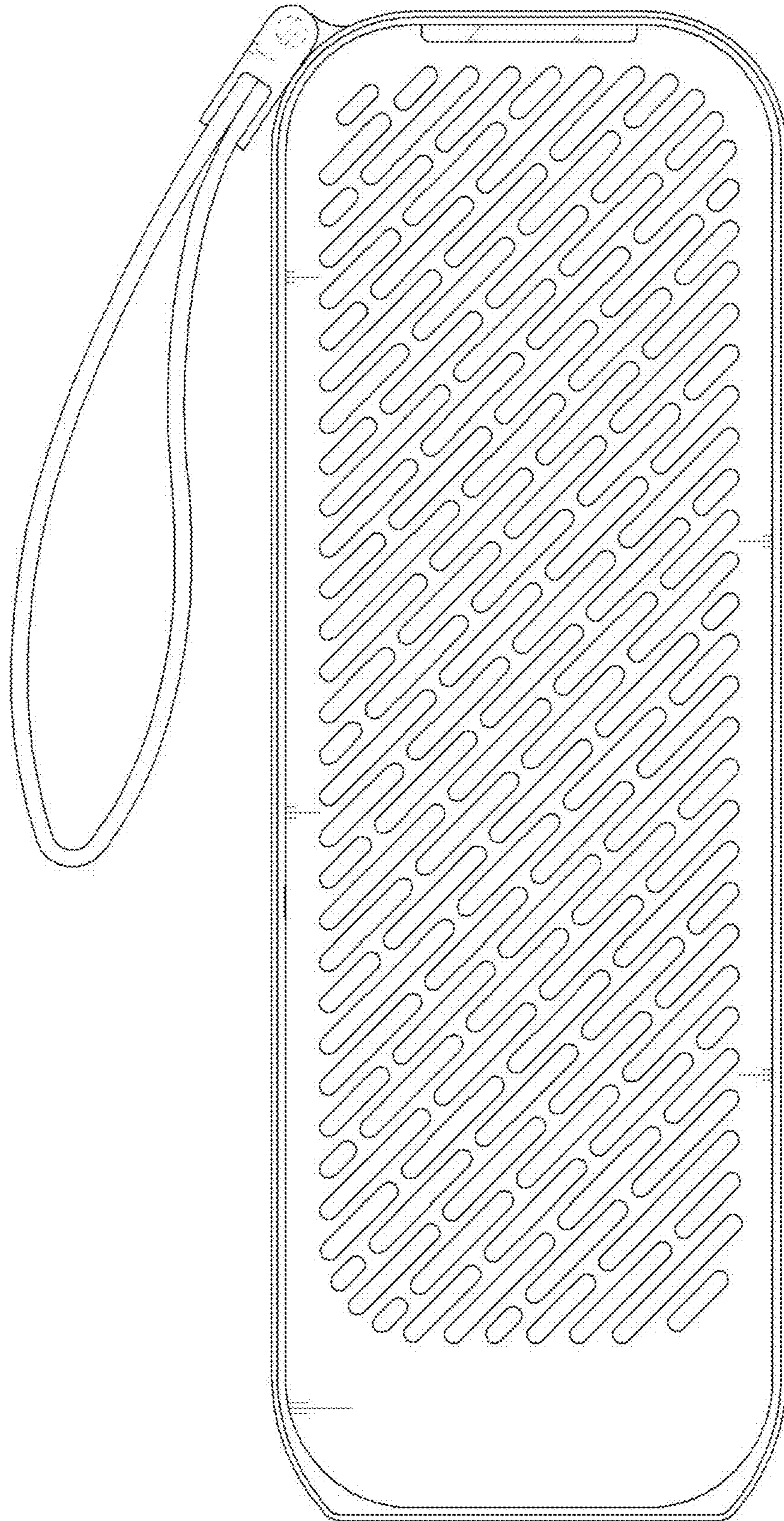
1 Claim, 8 Drawing Sheets



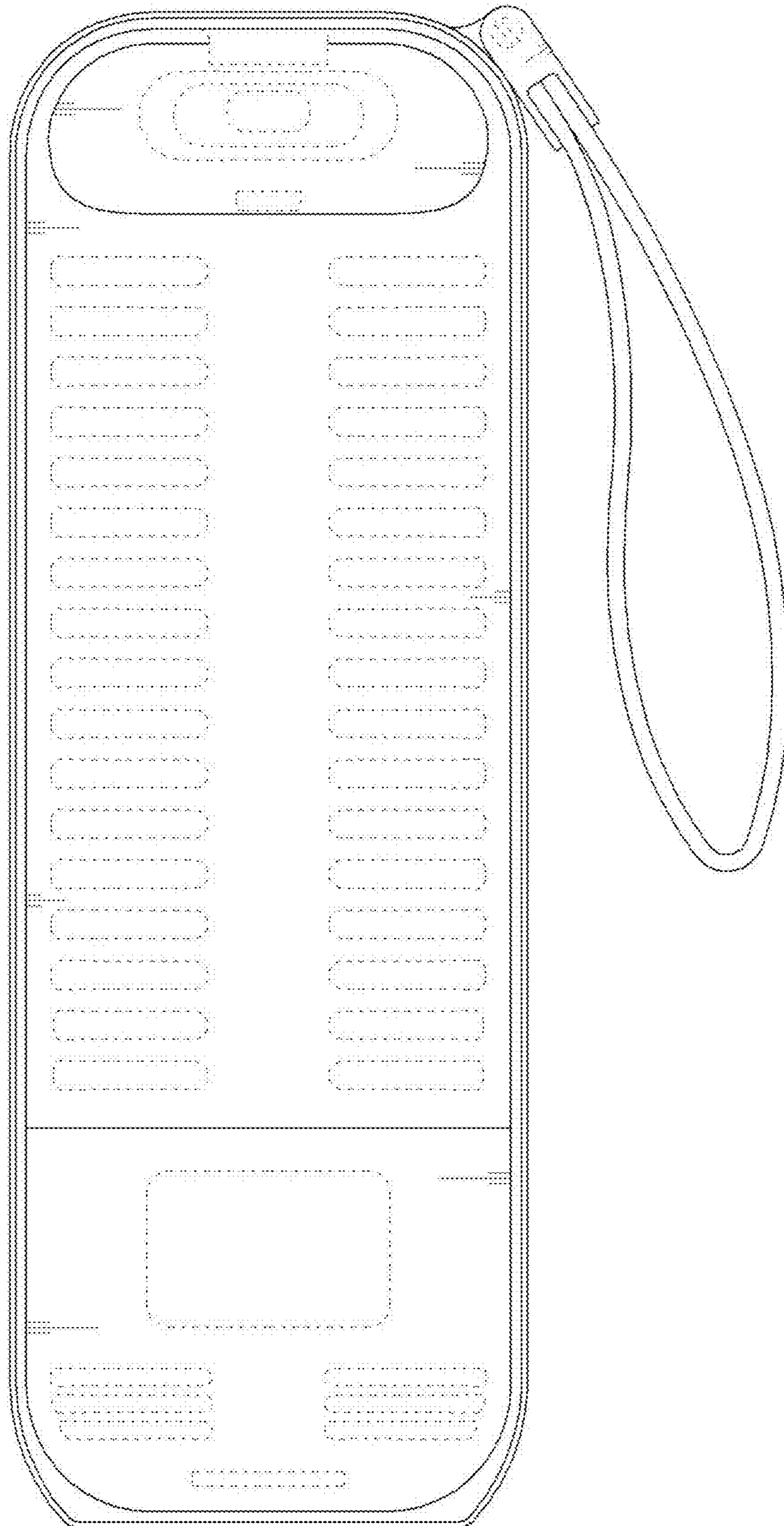
1.1



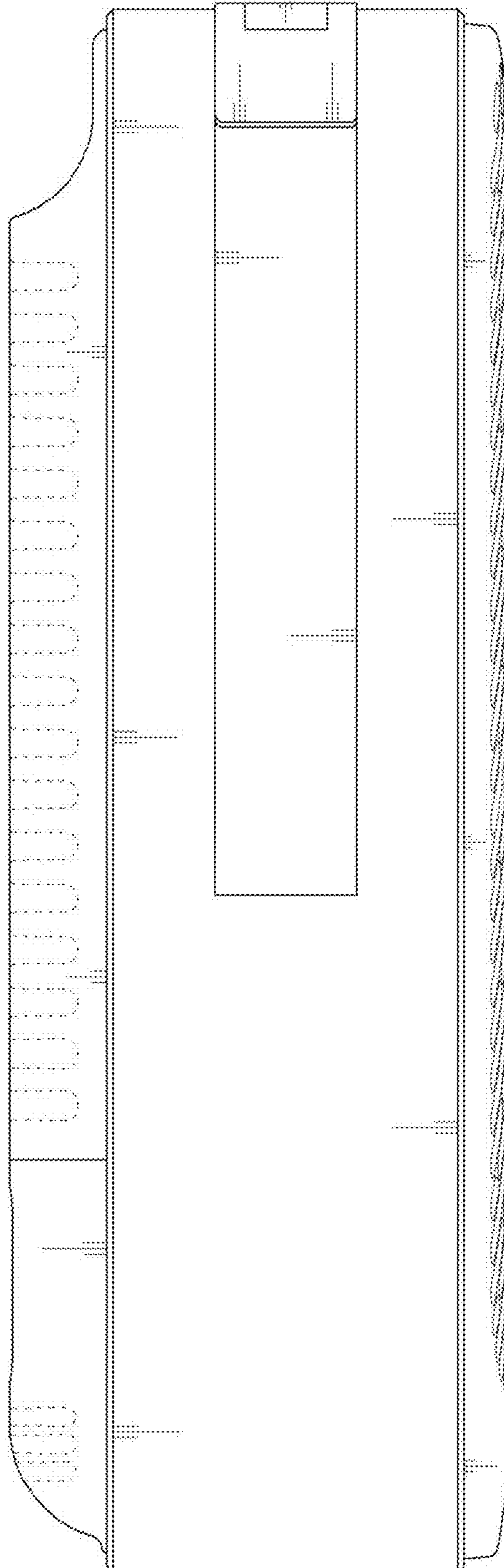
1.2



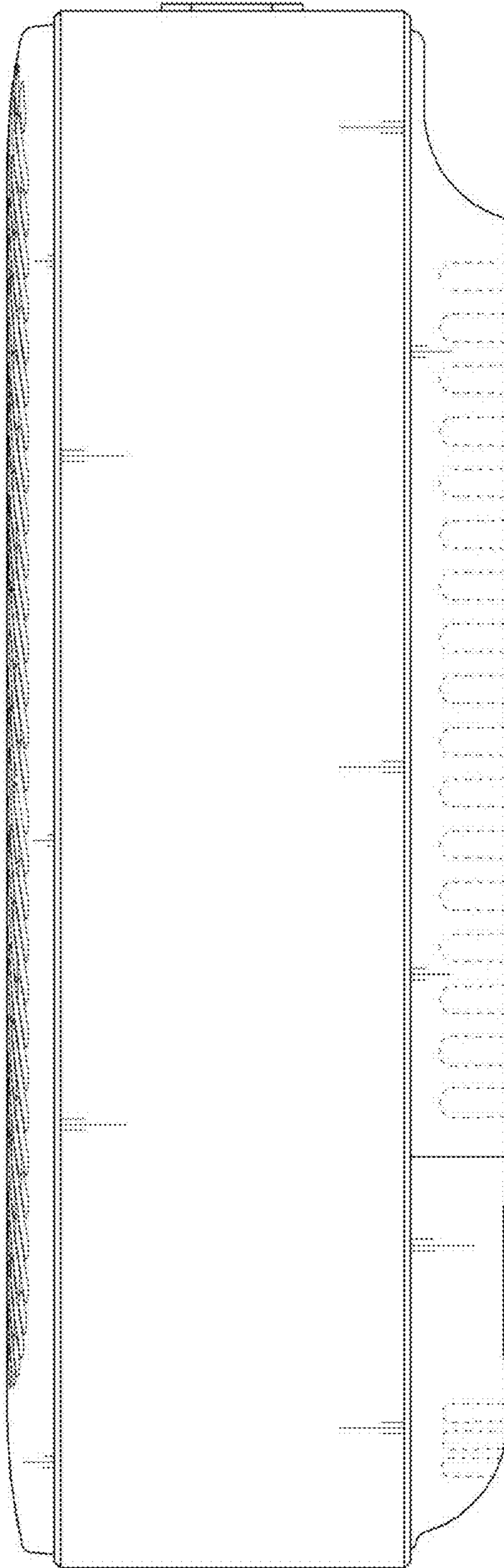
1.3



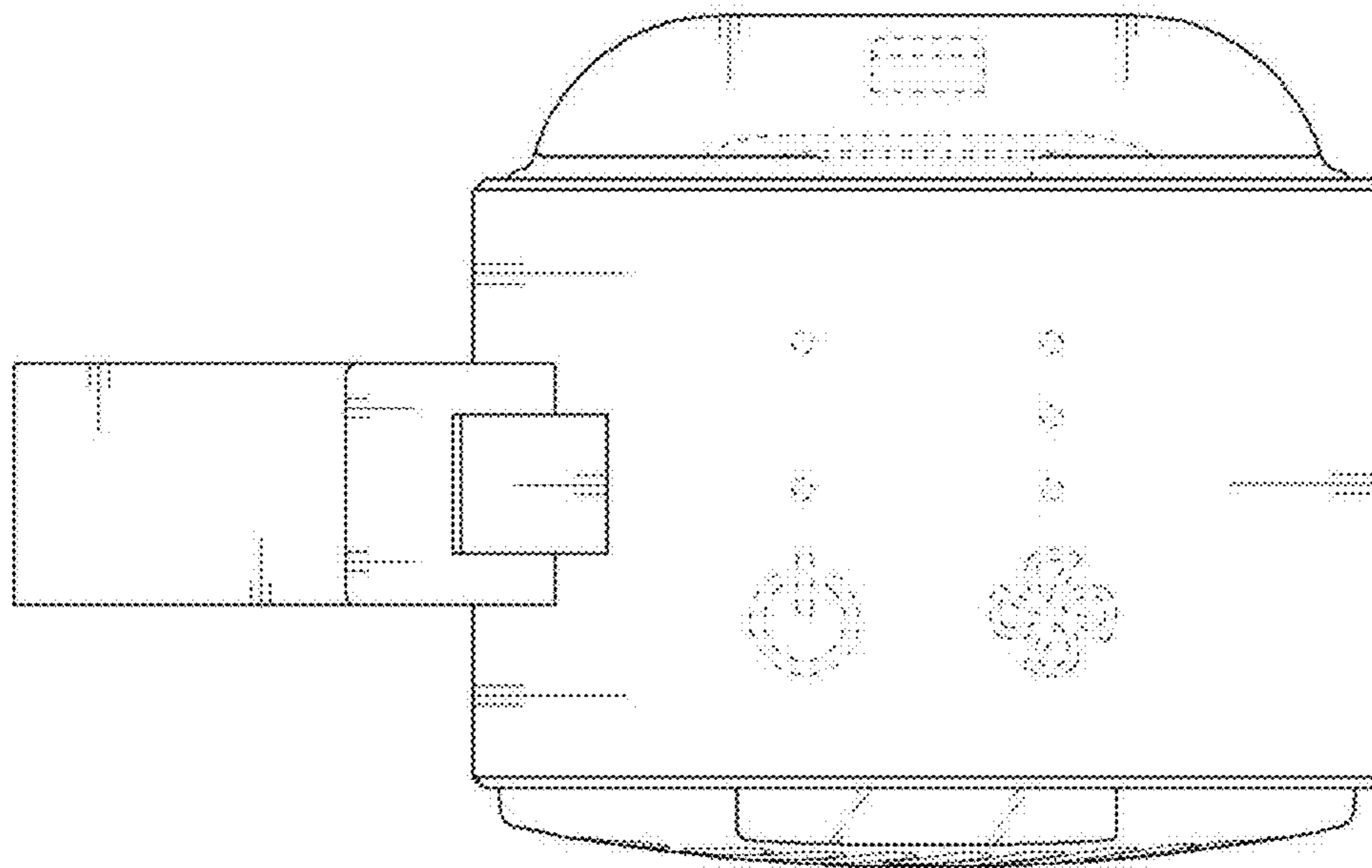
1.4



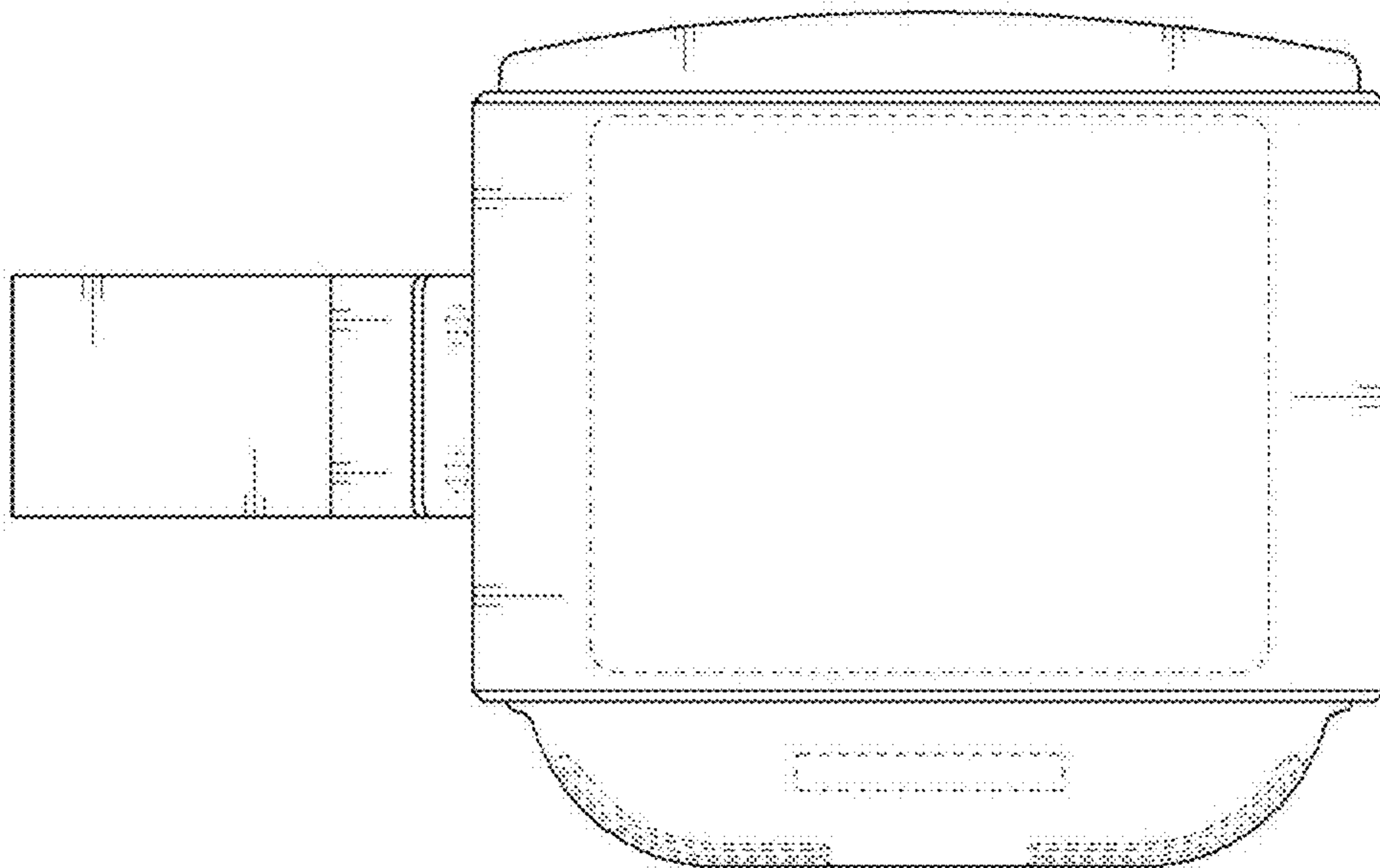
1.5



1.6



1.7



1.8

